

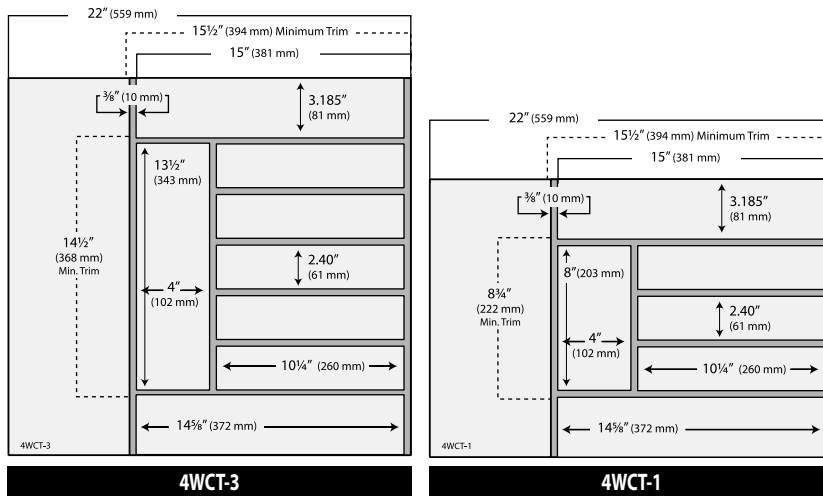
*Simply
Kitchens
and
Remodel*

Recommended Accessories

4WCT SERIES

WOOD CUTLERY TRAY INSERT

Organize kitchen drawers with Rev-A-Shelf's Wood Cutlery Tray Insert. The 4WCT Series is made of our classic birch/maple hardwood with a UV-cured clear finish to ensure an acceptable match to any kitchen cabinet. This modern day clutter solution requires a simple drop-in installation with two sizes that may be trimmed to fit various drawer sizes.

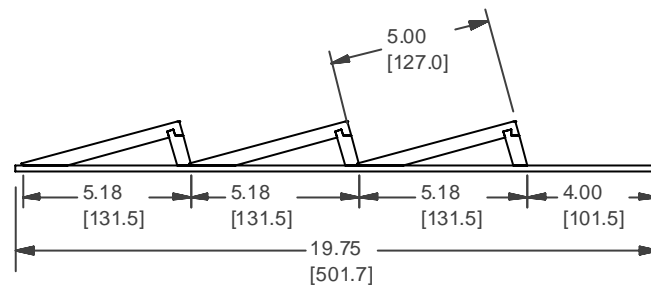


PRODUCT #s	DESCRIPTION	PRODUCT DIMENSIONS	MIN. TRIM	FINISH	SET PER CARTON	WEIGHT PER CARTON	SUGGESTED LIST PRICE
Wood Cutlery Tray				Individual Pack			
4WCT-1SH	Trimmable Cutlery Tray	14 5/8" (371 mm)W x 22" (559 mm)D x 2 3/8" (60 mm)H	8 3/4" (222 mm)W x 15 1/2" (394 mm)D	Wood	1	6 lbs.	\$39.45
4WCT-3SH	Trimmable Cutlery Tray	20 5/8" (524 mm)W x 22" (559 mm)D x 2 3/8" (60 mm)H	14 1/4" (362 mm)W x 15 1/2" (394 mm)D	Wood	1	8 lbs.	\$51.60
4WCT-1	Trimmable Cutlery Tray	14 5/8" (371 mm)W x 22" (559 mm)D x 2 7/8" (73 mm)H	8 3/4" (222 mm)W x 15 1/2" (394 mm)D	Wood	1	6 lbs.	\$40.15
4WCT-3	Trimmable Cutlery Tray	20 5/8" (524 mm)W x 22" (559 mm)D x 2 7/8" (73 mm)H	14 1/4" (362 mm)W x 15 1/2" (394 mm)D	Wood	1	8 lbs.	\$52.65

4SDI SERIES

WOOD SPICE DRAWER INSERT

Keep spices conveniently stored in a drawer by the stove with Rev-A-Shelf's Wood Classic Spice Drawer Insert. With a tiered configuration for total organization and easy access, the birch/maple hardwood spice drawer inserts are coated with a UV-Cured clear finish that ensures a suitable match to any cabinet. The 4SDI Series can be customized to fit various drawer sizes up to a Base 24".



4SDI-18 - Width is 16" (No Minimum Trim)

4SDI-24 - Width is 22" (No Minimum Trim)

PRODUCT #s	DESCRIPTION	PRODUCT DIMENSIONS	FINISH	SET PER CARTON	WEIGHT PER CARTON	SUGGESTED LIST PRICE
Wood Spice Tray				Individual Pack		
4SDI-18	Base 18 or smaller Spice Drawer Insert	16" (406 mm)W x 19 3/4" (502 mm)D x 1 1/2" (38 mm)H	Wood	1	5 lbs.	\$60.15
4SDI-24	Base 24 or smaller Spice Drawer Insert	22" (559 mm)W x 19 3/4" (502 mm)D x 1 1/2" (38 mm)H	Wood	1	8 lbs.	\$66.40

CONTAINS:

Spice Drawer Insert that can be customized for various drawer sizes. Shown with 5" Spice Bottles. Min. Interior Height = 3 1/4" for 5" bottles.

DRAWER ACCESSORIES

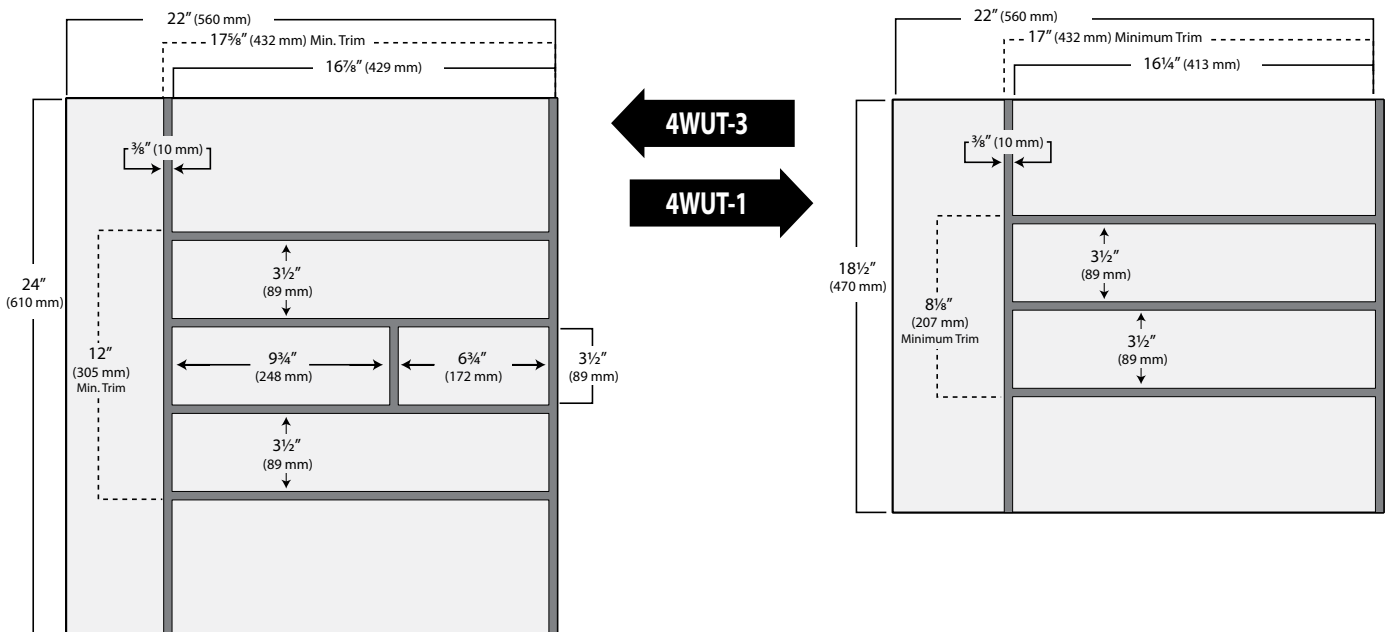
REV-A-SHELF®
Wood Classics™

Organize kitchen drawers with Rev-A-Shelf's Wood Utility Tray Insert. The 4WUT Series is made of our classic birch/maple hardwood with a UV-cured clear finish to ensure an acceptable match to any kitchen cabinet. This modern day clutter solution requires a simple drop-in installation with two sizes that may be trimmed to fit various drawer sizes.



DRAWER ACCESSORIES

REV-A-SHELF®
Wood Classics™



PRODUCT #s	DESCRIPTION	PRODUCT DIMENSIONS	FINISH	SET PER CARTON	WEIGHT PER CARTON	SUGGESTED LIST PRICE
						Individual Pack
4WUT-1SH	Trimnable Utility Tray	18 1/2" (470 mm)W x 22" (559 mm)D x 2 3/8" (60 mm)H	Wood	1	7 lbs.	\$39.45
4WUT-3SH	Trimnable Utility Tray	24" (610 mm)W x 22" (559 mm)D x 2 3/8" (60 mm)H	Wood	1	9 lbs.	\$51.60
4WUT-1	Trimnable Utility Tray	18 1/2" (470 mm)W x 22" (559 mm)D x 2 7/8" (73 mm)H	Wood	1	7 lbs.	\$40.15
4WUT-3	Trimnable Utility Tray	24" (610 mm)W x 22" (559 mm)D x 2 7/8" (73 mm)H	Wood	1	9 lbs.	\$52.65

CONTAINS: Utility Tray Insert that can be customized for various drawer sizes.

4WKB SERIES

WOOD KNIFE BLOCK INSERT

Rev-A-Shelf's unique 4WKB-1 Knife Block Tray Insert is out of the box ready at 18½" x 22" providing 19 slots to store knives and has a separate compartment for other utensils. The unique design provides more storage than a traditional Knife Block and with its simple drop-in installation valuable counter top space is available to use immediately. Made of our classic birch/maple hardwood with a UV-cured clear finish to ensure an acceptable match to any kitchen cabinet and can be trimmed to fit drawers of various widths and lengths.



4WKB and 4WUT

**COMBINE
TWO
REV-A-SHELF
ORGANIZERS!
WITH THE INCLUDED DIVIDER**

DRAWER
ACCESSORIES



PRODUCT #s	DESCRIPTION	PRODUCT DIMENSIONS	FINISH	SET PER CARTON	WEIGHT PER CARTON	SUGGESTED LIST PRICE
Wood Utility Tray						Individual Pack
4WKB-1	Trimable Knife Block	18½" (470 mm)W x 22" (559 mm)D x 2¾"(60 mm)H	Wood	1	5 lbs.	\$66.70

CONTAINS:

Trimable Knife Block that can be customized for various drawer sizes, wood divider.

With our endlessly changeable pegboard system you can create instant storage for organizing all kinds of items, from dinner plates to plastic containers with dividers for your drawers. The 4DPS can be trimmed to size and is available in three sizes to fit cabinets from 36", 39" and 42" (4DPS-3921), 30" and 33" cabinets (4DPS-3021) and 27" and smaller (4DPS-2421). The width is maximized to fit the largest cabinet drawers with under mount slides, is constructed from maple that is UV-Cured and comes with matching, push-in pegs.



DRAWER ACCESSORIES



PRODUCT #s	DESCRIPTION	PRODUCT DIMENSIONS	FINISH	SET PER CARTON	WEIGHT PER CARTON	SUGGESTED LIST PRICE
Drawer Peg System			Individual Pack			
4DPS-2421	Small Drawer Peg System (9 Pegs)	24¼" (616 mm)W x 21¼" (540 mm)D x 6⅝" (168 mm)H	Wood	1	6 lbs.	\$63.65
4DPS-3021	Medium Drawer Peg System (12 Pegs)	30¼" (616 mm)W x 21¼" (540 mm)D x 6⅝" (168 mm)H	Wood	1	7 lbs.	\$77.45
4DPS-3921	Large Drawer Peg System (16 Pegs)	39¼" (616 mm)W x 21¼" (540 mm)D x 6⅝" (168 mm)H	Wood	1	8 lbs.	\$99.90
4DPS-PEG-4	Additional Pegs		Wood	4	.5 lbs.	\$6.25 ea.

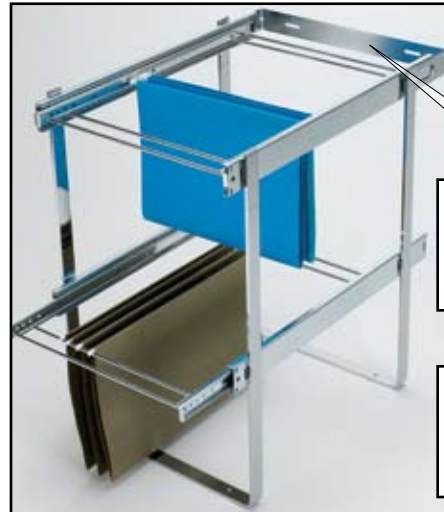
NOTES: Trim-To-Fit
CONTAINS: Peg Board and push-in pegs (Small 9, Medium 12, Large 16)

RAS-FD KIT

TWO-TIER FILE DRAWER SYSTEM



Turn your standard height base 18 drawer/door cabinet into a two-tier file drawer with our file drawer kit. This unique kit features full-extension ball bearing slides and heavy-duty chrome plated rails that hold both letter and legal folders. The bottom, side, and rear mounting was designed on the same platform as our successful 5WB2 Series wire baskets. Providing you the sturdiness you expect and easy installation.



The telescoping rear bracket adjust from 19 $\frac{3}{4}$ "-24". Both tiers are door mountable with RV-DM-FDKIT.

MINIMUM OPENING

14 $\frac{1}{2}$ " (368 mm)W
22 $\frac{1}{2}$ " (572 mm)H

PRODUCT #'s	DESCRIPTION	PRODUCT DIMENSIONS	FINISH	SET PER CARTON	WEIGHT PER CARTON	SUGGESTED LIST PRICE
Two-Tier File Drawer System						Individual Pack
RAS-FD-KIT	Two-Tier File Drawer System	14 $\frac{3}{4}$ " (375 mm) W x 19 $\frac{3}{4}$ " (597 mm) - 24" (610) D x 22 $\frac{5}{8}$ " (575 mm) H	Chrome	1	5 lbs.	\$87.00
RV-DM-FDKIT	Door Mounting Kit - Two Pair for Both Tiers		Silver	1	2 lbs.	\$40.00

RAS-FD SERIES

FILE DRAWER SYSTEM

Organize recipes, coupons, bills and more with Rev-A-Shelf's New File Drawer System available in both legal and letter size dimensions. The RAS-FD organizer features front and back frames that fasten to the drawer box for complete stability and a versatile T-Rod that creates divided storage for both legal and letter size folders. This durable file drawer system is designed



for base 18 and base 21 cabinets but features metal supports that can be trimmed to fit virtually any cabinet drawer.



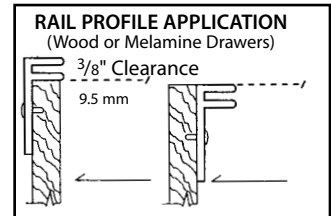
PRODUCT #'s	DESCRIPTION	PRODUCT DIMENSIONS	FINISH	SET PER CARTON	WEIGHT PER CARTON	SUGGESTED LIST PRICE
File Drawer System						Individual Pack
RAS-SMFD-52	Small File System	13" (330 mm)W x 19 $\frac{1}{4}$ " (489 mm)D x 9 $\frac{3}{4}$ " (248 mm)H	Black Wire	1	5 lbs.	\$22.05
RAS-LGFD-52	Large File System	15 $\frac{7}{8}$ " (403 mm)W x 19 $\frac{1}{4}$ " (489 mm)D x 9 $\frac{3}{4}$ " (248 mm)H	Black Wire	1	5.2 lbs.	\$24.95

NOTES: RAS-SMFD-52: Designed for letter size hanging folders. RAS-LGFD-52: Designed for legal size hanging folders Use T-Rod to divide drawer in two section to hold both letter and legal size folders **CONTAINS:** Wire frame, corner connectors, T-Rod connectors. Due to different drawer front thickness, mounting screws are NOT included.

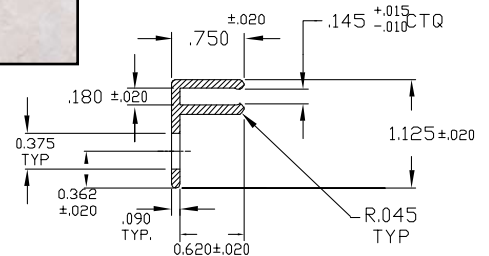
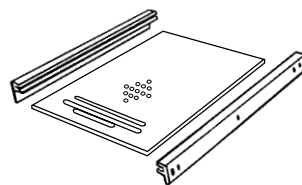
DRAWER ACCESSORIES



The BDC Series is available in white, almond or translucent finishes and 2 sizes that can be trimmed to accommodate any drawer dimension. The Bread Drawer Cover Kit contains a one-piece cover with molded in handle and rear stop, adjustable sliding rails and mounting screws.



Rails can be ordered for Special Applications also:
CDR-21-*A
 (One Pair of Rails w/screws)
 *W=White and A=Almond
CDR-21-C-A CLEAR RAILS
 Clear Rails come packaged with all (-20) translucent covers



PRODUCT #s	DESCRIPTION	MAXIMUM PRODUCT DIMENSIONS	MINIMUM CUT SIZE	FINISH	SET PER CARTON	WEIGHT PER CARTON	SUGGESTED LIST PRICE
Bread Drawer Cover							Individual Pack
BDC-200-**	Bread Drawer Cover Kit	16¾" (426 mm)W x 21¾" (553 mm)L	11½" (295 mm) x Any Length	Polymer	1	2.4 lbs.	\$26.95
BDC-200-20	BDC Kit—Translucent w/clear rails	16¾" (426 mm)W x 21¾" (553 mm)L	11½" (295 mm) x Any Length	Polymer	1	2.4 lbs.	\$49.75
Bread Drawer Cover							Individual Pack
BDC24-**	BDC Kit—White, Almond	20½" (511 mm)W x 21¾" (553 mm)L	16½" (408 mm) x Any Length	Polymer	1	3 lbs.	\$29.30
BDC24-20	BDC Kit—Translucent w/clear rails	20½" (511 mm)W x 21¾" (553 mm)L	16½" (408 mm) x Any Length	Polymer	1	3 lbs.	\$50.00
F-Channel Rail Kit							
CDR-21-*A	Extra Rails			Polymer	1	1.5 lbs.	\$15.65
CDR-21C-A	Extra Clear Rails			Polymer	1	1.5 lbs.	\$22.45

NOTES: All BDC Kits includes (1) cover, (1) pair rails, & screws. Cover is textured to hide scratches. * Product available in three colors: (11) White, (15) Almond & (20) Clear. These bread drawer covers can be ordered custom cut to your drawer specifications. Contact Customer Service with your inside drawer dimensions and we will do the rest. Cut-to-size charges will vary.

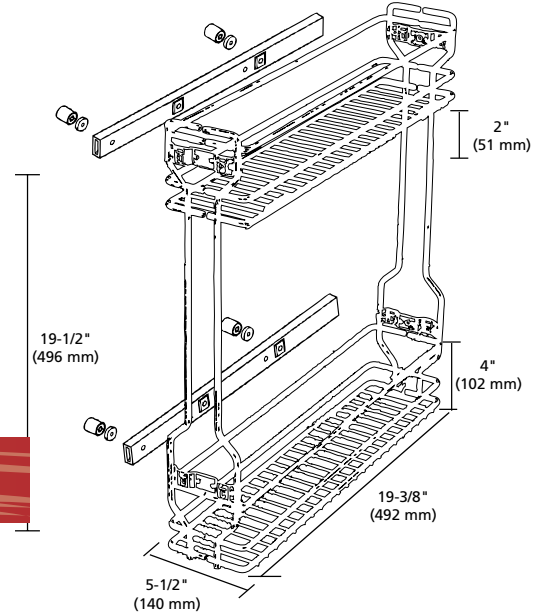
DRAWER ACCESSORIES





548-06

Keep 2 liter bottles stored in this easy-to-reach base pull-out. The 548-06 Base Organizer is designed for Base 9" cabinets and features universal brackets for right or left hand mounting, ball bearing slides and a door mountable wire frame.

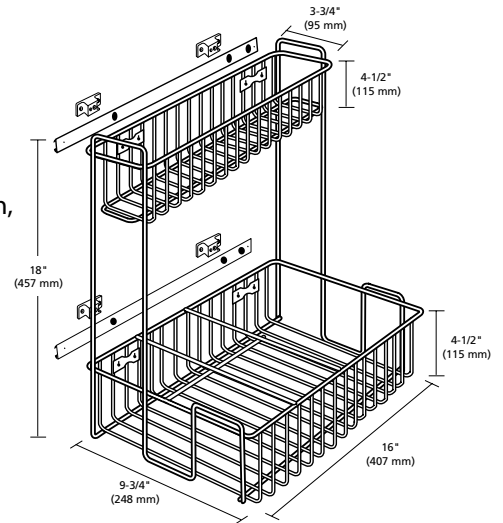


SINK & BASE ACCESSORIES



548-10

Attain optimum storage and accessibility for items kept under the kitchen sink with the Sink Base Organizer. The 548-10 is designed to fit around most plumbing applications and features a sturdy white wire construction, universal brackets for right or left hand mounting and ball bearing slides.



PRODUCT #'s	DESCRIPTION	PRODUCT DIMENSIONS	FINISH	SET PER CARTON	WEIGHT PER CARTON	SUGGESTED LIST PRICE	
						Individual Pack	
548-06	Two-Tier Base Organizer	5½" (140 mm)W x 19½" (505 mm)D x 19½" (498 mm)H	White Wire	1	7 lbs.	\$125.15	
548-10	Sink Base Organizer	9¾" (248 mm)W x 16" (407 mm)D x 18" (457 mm)H	White Wire	1	6.5 lbs.	\$103.40	

CONTAINS:
548-06 Base 9" Organizer with reversible ball bearing slides and 12½" (318 mm) extension with door mounting capability. Mounting screws and spacers included for slides
548-10 Reversible Base Organizer with 16" (407 mm) slides. Mounting screws and spacers included for slides.

563 SERIES

TOWEL HOLDER & PULL-OUT TOWEL BAR

Store dish towels where you need them, right under the kitchen sink. The 563-32 Towel Holder is made of white wire and fastens to any cabinet door holding up to three dish towels. The 563-47 Pull-Out Towel Bar is the perfect example of user-friendly with 3 prongs that slide-out of the cabinet 12" for total convenience. This Pull-Out Towel bar is available in white or chrome and features universal brackets for right or left hand mounting.

SINK & BASE ACCESSORIES



563-32 C



563-47 C

Includes:
Spacers for Face Frame Installation



563-47

PRODUCT #s	DESCRIPTION	PRODUCT DIMENSIONS	FINISH	SET PER CARTON	WEIGHT PER CARTON	SUGGESTED LIST PRICE
Towel Holders			Individual Pack			
563-32	Towel Holder	12¾" (324 mm)W x 3½" (89 mm)D x 6½" (165 mm)H	White	1	.55 lbs.	\$5.20
563-32 C	Towel Holder	12¾" (324 mm)W x 3½" (89 mm)D x 6½" (165 mm)H	Chrome	1	.4 lbs.	\$5.65
563-47	3 Prong Towel Bar	5" (127 mm)W x 17¾" (451 mm)D x 1¼" (32 mm)H	White	1	2.6 lbs.	\$27.40
563-47 C	3 Prong Towel Bar	5" (127 mm)W x 17¾" (451 mm)D x 1¼" (32 mm)H	Chrome	1	2 lbs.	\$30.30

CONTAINS:

563-32 (1) Towel holder w/ mounting screws. 563-47 (1) Pull-Out Towel Bar, 3 prong model with 12" (305 mm) extension, face frame spacers, and mounting screws.

563 SERIES

PULL-OUT TOWEL BAR

Keeping your kitchen tidy and helping the environment is easy with the new stylish two pronged towel bar. This pull-out towel bar brings your reusable kitchen towels to you on an easy glide ball bearing slide, cutting down your use of paper products. Easy four-screw installation and left or right hand mounting capabilities makes it the perfect addition to any kitchen.



Ball Bearing Slides



PRODUCT #s	DESCRIPTION	PRODUCT DIMENSIONS	FINISH	SET PER CARTON	WEIGHT PER CARTON	SUGGESTED LIST PRICE
Towel Holder			Individual Pack			
563-51-C	2 Prong Towel Bar	3¾" (99 mm)W x 12¾" (327 mm)D x 1½" (38 mm)H	Chrome	1	2.6 lbs.	\$20.15

CONTAINS:

(1) Pull-Out Towel Bar, 2 prong model, mounting screws.

597 SERIES

TRAY DIVIDERS WITH CLIPS

A no-brainer for organizing today's kitchens, Rev-A-Shelf tray dividers are a practical solution for storing baking sheets, serving dishes, cake pans and more. The 597 Series is available in white or chrome with 12" (wall cabinet) or 18" (base cabinet) height options. Each divider includes 4 screw-in clips & fasteners.



597-18

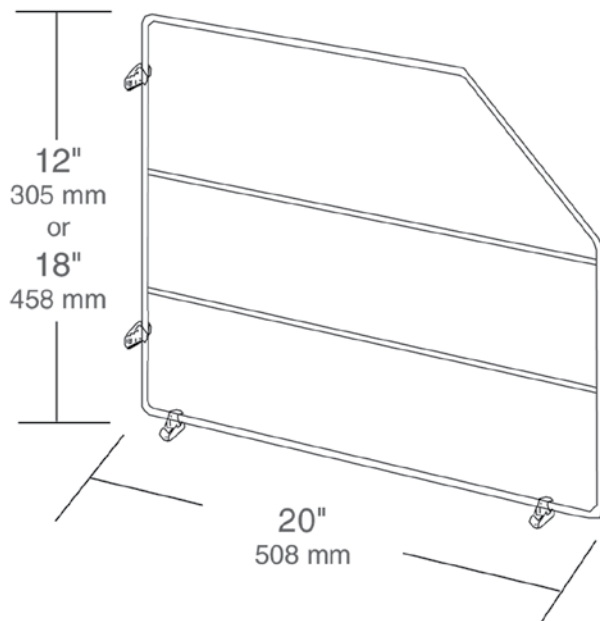


597-18CR



597-12CR

597-18CR



PRODUCT #s	DESCRIPTION	PRODUCT DIMENSIONS	FINISH	SET PER CARTON	WEIGHT PER CARTON	SUGGESTED LIST PRICE
Tray Divider (White Wire)						Individual Pack
597-12-52	Tray Divider with Clips	¾" (19 mm)W x 20" (508 mm)D x 12" (305 mm)H	White Wire	1 pc.	2 lbs.	\$9.55
597-18-52	Tray Divider with Clips	¾" (19 mm)W x 20" (508 mm)D x 18" (458 mm)H	White Wire	1 pc.	2 lbs.	\$10.45
Tray Divider (White Wire)						Bulk Pack
597-12-10	Tray Divider with Clips	¾" (19 mm)W x 20" (508 mm)D x 12" (305 mm)H	White Wire	10 pc.	12 lbs.	\$7.25
597-18-10	Tray Divider with Clips	¾" (19 mm)W x 20" (508 mm)D x 18" (458 mm)H	White Wire	10 pc.	14 lbs	\$7.95
Tray Divider (Chrome Wire)						Individual Pack
597-12CR-52	Tray Divider with Clips	¾" (19 mm)W x 20" (508 mm)D x 12" (305 mm)H	Chrome Wire	1 pc.	2 lbs.	\$13.05
597-18CR-52	Tray Divider with Clips	¾" (19 mm)W x 20" (508 mm)D x 18" (458 mm)H	Chrome Wire	1 pc.	2 lbs	\$13.80
Tray Divider (Chrome Wire)						Bulk Pack
597-12CR-10	Tray Divider with Clips	¾" (19 mm)W x 20" (508 mm)D x 12" (305 mm)H	Chrome Wire	10 pc.	12 lbs.	\$10.60
597-18CR-10	Tray Divider with Clips	¾" (19 mm)W x 20" (508 mm)D x 18" (458 mm)H	Chrome Wire	10 pc.	14 lbs	\$11.30

CONTAINS:

- 597-12/18-52 (1) tray dividers with four (4) screw-in clips & fasteners
- 597-12/18-10 (10) Tray Dividers per size with (4) screw-in clips & fasteners per set.
- 597-12/18CR-52 (1) tray divider with (4) screw-in clips & fasteners
- 597-12/18CR-10 (10) Tray Dividers per size with (4) screw-in clips & fasteners per set.

SINK & BASE ACCESSORIES
REV-A-SHELF
 Accessible Storage

HURV SERIES

PULL-OUT UTILITY BASKET

Organize your kitchen, bathroom, closet, garage...the options are endless with this universal hamper/utility basket. The HURV Series features a polymer basket, sturdy wire frame, full-extension slides and easy installation with just four screws.

SINK & BASE ACCESSORIES
REV-A-SHELF
 Accessible Storage



OTHER APPLICATIONS



Use In The Bathroom...
Door Mounts Using Part # RV DM KIT



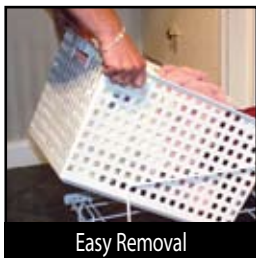
Laundry Room Hamper



Garage/Car Detailing



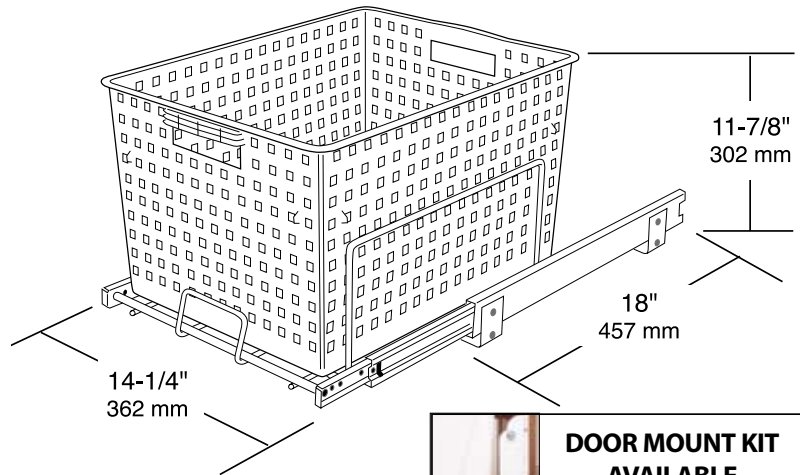
Kitchen/Cleaning Supplies



Easy Removal



Fits Under Plumbing



DOOR MOUNT KIT AVAILABLE
PAGE 57

PRODUCT #'s	DESCRIPTION	PRODUCT DIMENSIONS	FINISH	SET PER CARTON	WEIGHT PER CARTON	SUGGESTED LIST PRICE
Polymer Utility Basket				Individual Pack		
HURV-1512 S	Utility Basket	14¼" (362 mm)W x 18" (457 mm)D x 11⅞" (302 mm)H	Polymer	1	10 lbs.	\$137.15
HUB-470X8	Replacement Utility Basket		Polymer	1	5 lbs.	\$45.55

CONTAINS:
(1) Polymer utility basket with frame, full-extension slides and 4 screws, 100# Weight Rating Door Mount Brackets Sold Separately (RV DM KIT)



This new product from Rev-A-Shelf is ideal for organizing your valuable pots, pans, and other bulky items! The 5WB Series Chrome Baskets feature full-extension ball bearing slides, Heavy-Duty Chrome plated frames, and are easy to install (only four screws). The 5WB Series is available in 18", 20", and 22" slides and a variety of widths to fit many different applications.

AVAILABLE IN 18", 20" & 22" DEPTHS!



Slide units install easily with four screws!

PRODUCT #'s	DESCRIPTION	PRODUCT DIMENSIONS	MIN. OPENING	FINISH	SET PER CARTON	WEIGHT PER CARTON	SUGGESTED LIST PRICE
Single Chrome Pull-Out Basket							Individual Pack
5WB1-0918-CR	9" Single Pull-Out Wire Basket	8 ³ / ₈ " (213 mm)W x 18" (457 mm)D x 7" (178 mm)H	8 ¹ / ₂ " (216 mm)	Chrome	1	7.7 lbs.	\$51.90
5WB1-1218-CR	12" Single Pull-Out Wire Basket	11 ³ / ₈ " (295 mm)W x 18" (457 mm)D x 7" (178 mm)H	11 ¹ / ₂ " (292 mm)	Chrome	1	8.8 lbs.	\$55.70
5WB1-1220-CR	12" Single Pull-Out Wire Basket	11 ³ / ₈ " (295 mm)W x 20" (508 mm)D x 7" (178 mm)H	11 ¹ / ₂ " (292 mm)	Chrome	1	9.9 lbs.	\$66.10
5WB1-1520-CR	15" Single Pull-Out Wire Basket	14 ³ / ₈ " (372 mm)W x 20" (508 mm)D x 7" (178 mm)H	14 ¹ / ₂ " (368 mm)	Chrome	1	11.2 lbs.	\$73.95
5WB1-1222-CR	12" Single Pull-Out Wire Basket	11 ³ / ₈ " (295 mm)W x 22" (559 mm)D x 7" (178 mm)H	11 ¹ / ₂ " (292 mm)	Chrome	1	9.9 lbs.	\$69.90
5WB1-1522-CR	15" Single Pull-Out Wire Basket	14 ³ / ₈ " (372 mm)W x 22" (559 mm)D x 7" (178 mm)H	14 ¹ / ₂ " (368 mm)	Chrome	1	11.2 lbs.	\$76.85
5WB1-1822-CR	18" Single Pull-Out Wire Basket	17 ³ / ₈ " (448 mm)W x 22" (559 mm)D x 7" (178 mm)H	17 ¹ / ₂ " (445 mm)	Chrome	1	12.4 lbs.	\$83.25
5WB1-2122-CR	21" Single Pull-Out Wire Basket	20 ³ / ₈ " (524 mm)W x 22" (559 mm)D x 7" (178 mm)H	20 ¹ / ₂ " (521 mm)	Chrome	1	13 lbs.	\$91.95

CONTAINS: (1) Wire Basket, full-extension slides - 100# Weight Rating
NOTES: Comes fully assembled and installs with four screws.



This new Double Wire Basket by Rev-A-Shelf features full-extension ball bearing slides, and Heavy-Duty Chrome plated baskets. Installation is simple as well, mount the bottom basket to the floor of your cabinet, then attach the upper basket using the back of the cabinet and face frame. The 5WB Series is available in 18" or 22" slides and a variety of widths to fit many different applications.

SINK & BASE ACCESSORIES



(Upper) slide attaches to the face frame of your cabinet.



Top View: U-Shaped Support Bracket mounts to cabinet floor.



The telescoping Rear Mounting Bracket (Upper) attaches to the back wall of your cabinet.

AVAILABLE IN 18" AND 22" DEPTHS!

PRODUCT #s	DESCRIPTION	PRODUCT DIMENSIONS	MIN. OPENING	FINISH	SET PER CARTON	WEIGHT PER CARTON	SUGGESTED LIST PRICE
Double Chrome Pull-Out Basket							Individual Pack
5WB2-0918-CR	9" Double Pull-Out Wire Basket	8¾" (222 mm) W x 18" (457 mm)D x 19" (483 mm)H	8½" (216 mm)	Chrome	1	14.8 lbs.	\$116.60
5WB2-1218-CR	12" Double Pull-Out Wire Basket	11¾" (299 mm) W x 18" (457 mm)D x 19" (483 mm)H	11½" (292 mm)	Chrome	1	17.2 lbs.	\$128.60
5WB2-1222-CR	12" Double Pull-Out Wire Basket	11¾" (299 mm) W x 22" (559 mm)D x 19" (483 mm)H	11½" (292 mm)	Chrome	1	18.9 lbs.	\$144.15
5WB2-1522-CR	15" Double Pull-Out Wire Basket	14¾" (375 mm) W x 22" (559 mm)D x 19" (483 mm)H	14½" (368 mm)	Chrome	1	22.9 lbs.	\$147.30
5WB2-1822-CR	18" Double Pull-Out Wire Basket	17¾" (451 mm) W x 22" (559 mm)D x 19" (483 mm)H	17½" (445 mm)	Chrome	1	22.9 lbs.	\$160.10
5WB2-2122-CR	21" Double Pull-Out Wire Basket	20¾" (527 mm) W x 22" (559 mm)D x 19" (483 mm)H	20½" (521 mm)	Chrome	1	25.1 lbs.	\$173.30

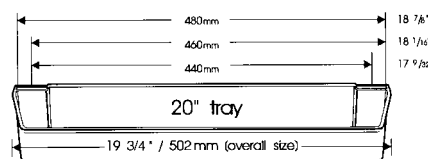
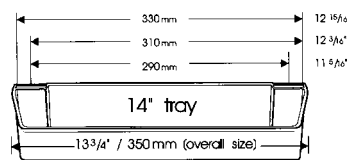
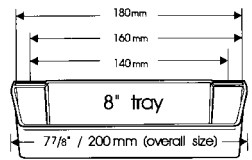
CONTAINS: (2) Wire Baskets, (2 pair) full-extension slides - 100# Weight Rating, (2) U-Brackets, (1) Adjustable Rear Mounting Bracket

NOTES: Easy assembly, installs with seven screws.

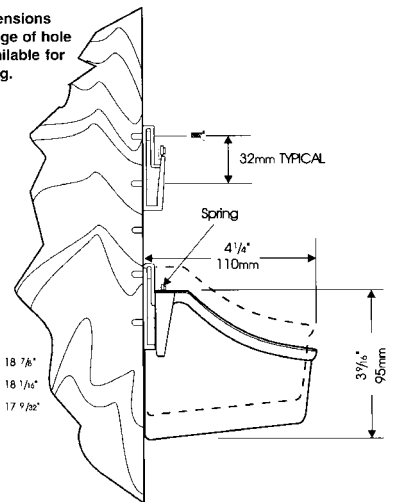
6230 SERIES

DOOR STORAGE TRAY SETS

Expand cabinet space with the handy Door Storage Tray set. The 6230 Series is available in two or five tray sets with three different tray sizes. This space saver is easy to install with screw-in clips or mount the trays to 24" or 58" standards with tray clips (sold separately). Sets are available in white or almond.



• These 3 dimensions show the range of hole spacings available for tray mounting.



SINK & BASE ACCESSORIES

REV-A-SHELF
Accessories

PRODUCT #s	DESCRIPTION	PRODUCT DIMENSIONS	FINISH	SET PER CARTON	WEIGHT PER CARTON	SUGGESTED LIST PRICE
Two Tray Set with Clips						Individual Pack
6232-08-**-52	Tray with Screw-In Clips	7 7/8" (200 mm)W x 4 1/4" (110 mm)D x 3 9/16" (95 mm)H	Polymer	1	1.2 lbs.	\$22.60
6232-14-**-52	Tray with Screw-In Clips	13 3/4" (350 mm)W x 4 1/4" (110 mm)D x 3 9/16" (95 mm)H	Polymer	1	2 lbs.	\$24.35
6232-20-**-52	Tray with Screw-In Clips	19 3/4" (502 mm)W x 4 1/4" (110 mm)D x 3 9/16" (95 mm)H	Polymer	1	2 lbs.	\$30.75
Five Tray Set with Clips						Individual Pack
6235-08-**-52	Tray with Screw-In Clips	7 7/8" (200 mm)W x 4 1/4" (110 mm)D x 3 9/16" (95 mm)H	Polymer	1	2 lbs.	\$53.65
6235-14-**-52	Tray with Screw-In Clips	13 3/4" (350 mm)W x 4 1/4" (110 mm)D x 3 9/16" (95 mm)H	Polymer	1	3 lbs.	\$58.15
6235-20-**-52	Tray with Screw-In Clips	19 3/4" (502 mm)W x 4 1/4" (110 mm)D x 3 9/16" (95 mm)H	Polymer	1	5 lbs.	\$70.35

NOTES: Our Door Storage trays are packaged with Screw-In Clips instead of Tray Clips. The Tray Clips will be packaged with the mounting standards to complete the set package. (Mounting Standards must be ordered separately.) ** Available colors: 11 White, 15 Almond

6232 SERIES

STANDARDS FOR DOOR STORAGE



Aluminum Standard with Adjustable Clip



Aluminum Standard w/Clip

PRODUCT #s	DESCRIPTION	PRODUCT DIMENSIONS	FINISH	SET PER CARTON	WEIGHT PER CARTON	SUGGESTED LIST PRICE
Door Storage Standards (2 Standards)						Individual Pack
6232-26-4528-52	Standards with 4 clips	26" (660 mm)	Bright Aluminum	1 pr.	1 lbs.	\$36.55 ea.
6232-58-4528-52	Standards with 10 clips	58" (1473 mm)	Bright Aluminum	1 pr.	2 lbs.	\$51.60 ea.

CONTAINS: (2) door storage standards with Tray Clips. **NOTE:** Wood Door Storage Trays are located on page 107.

4SBSU SERIES

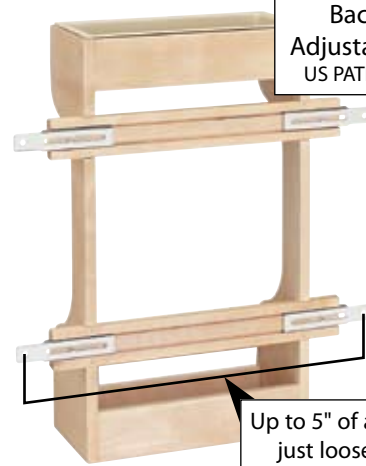
Store cleaning supplies in a convenient spot under the sink with Rev-A-Shelf's new Wood Sink Base Door Storage Organizer. The 4SBSU Series is made of our classic birch/maple hardwood with a UV-cured clear finish to ensure an acceptable match to any cabinet. This handy stow-away is available in three sizes for sink base 30", 36" & 42" and features the patented adjustable door mount brackets that provide installation flexibility up to 5".

Features a polymer tray on the top shelf that can be removed for easy cleaning.



SINK BASE DOOR STORAGE

Back View of Adjustable Brackets
US PATENT: 7,204,569



Up to 5" of adjustability, just loosen screws, adjust, then retighten.

PRODUCT #'s	DESCRIPTION	PRODUCT DIMENSIONS	MIN. OPENING	FINISH	SET PER CARTON	WEIGHT PER CARTON	SUGGESTED LIST PRICE
Under Sink Storage					Individual Pack		
4SBSU-15	Under Sink Storage Shelving System	10½" (267 mm)W x 5" (127 mm)D x 18½" (470 mm)H	11⅞" (295 mm)	Wood	1	7 lbs.	\$52.05
4SBSU-18	Under Sink Storage Shelving System	13½" (343 mm)W x 5" (127 mm)D x 18½" (470 mm)H	14⅞" (366 mm)	Wood	1	7 lbs.	\$56.70
4SBSU-21	Under Sink Storage Shelving System	16½" (419 mm)W x 5" (127 mm)D x 18½" (470 mm)H	17¼" (439 mm)	Wood	1	8 lbs.	\$65.10

CONTAINS:

(1) shelf system, (4) new AMB (Adjustable Mounting Brackets) & (4) screws

SINK & BASE ACCESSORIES



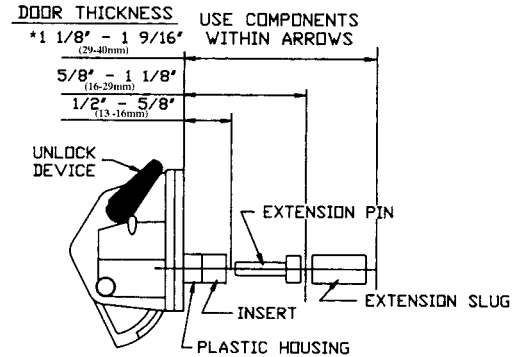
RL SERIES

CABINET SECURITY—REV·A·LOCK®

Introducing the revolutionary peace of mind accessory for any parent or grandparent, the Rev-A-Lock. This security device is one-of-a-kind with powerful magnetic locks that can attach to wood, glass, metal, and particleboard cabinets for a guaranteed safeguard from curious little hands. To open the cabinet, simply hold the magnetic key against the cabinet door to disengage the lock. The RL Series also features a patented unlocking device that allows a disabling of the lock so cabinets can be opened without the key.



The lock will install on thickness of ½" (13 mm) to 1⅞" (40 mm) and operate through wood, glass, metal and particle board.



PRODUCT #'s	DESCRIPTION	FINISH	SET PER CARTON	WEIGHT PER CARTON	SUGGESTED LIST PRICE
Rev-A-Lock Cabinet Security					
Components					
RAL-101-1	Starter Set (5 Locks & 2 Keys)	Polymer	1	.6 lbs.	\$57.00
RL-201-1	Lock Assembly	Polymer	25	.06 lbs.	\$8.55
RL-202-1	Magnetic Key	Polymer	25	.08 lbs.	\$12.05

NOTES:

Components Bulk Packed: All locks include unlocking device & extension slug. Bulk packaging minimum (25) sets per carton. Starter Set is individually packed in UPS carton.

4DMCB SERIES

DOOR MOUNT CUTTING BOARD

Quality and durability is what you'll notice about the Door Mount Cutting Board. The birch/maple hardwood cutting board is mineral oil treated and the support racks are coated with a UV-cured clear finish that ensures an acceptable match to any cabinet.



Rear View of the Adjustable Door Mounting Brackets
US PATENT NO: 7,204,569

4DMCB-15	WIDTH	DEPTH	HEIGHT
Mount Rack	9½" (241 mm)	3" (76 mm)	8" (203 mm)
Cutting Board	7⅞" (200 mm)	1¼" (32 mm)	16" (407 mm)

4DMCB-18	WIDTH	DEPTH	HEIGHT
Mount Rack	12½" (318 mm)	3" (76 mm)	8" (203 mm)
Cutting Board	10⅞" (276 mm)	1¼" (32 mm)	16" (407 mm)

PRODUCT #s	DESCRIPTION	PRODUCT DIMENSIONS	MIN. OPENING	FINISH	SET PER CARTON	WEIGHT PER CARTON	SUGGESTED LIST PRICE
Door Mount Cutting Board							Individual Pack
4DMCB-15	Base 15" Door Mount Cutting Board	9½" (241 mm)W x 3" (76 mm)D x 16⅞" (429 mm)H	10" (254 mm)	Wood	1	7 lbs.	\$72.80
4DMCB-18	Base 18" Door Mount Cutting Board	12½" (318 mm)W x 3" (76 mm)D x 16⅞" (429 mm)H	12⅞" (327 mm)	Wood	1	10 lbs.	\$82.35

CONTAINS: Door Rack, Cutting Board and Screws. **NOTE:** Mounting brackets add up to 5" (128 mm) of adjustability, 2½" (64 mm) to each side

SINK & BASE ACCESSORIES

REV-A-SHELF™
Wood Classics

4DMCB SERIES

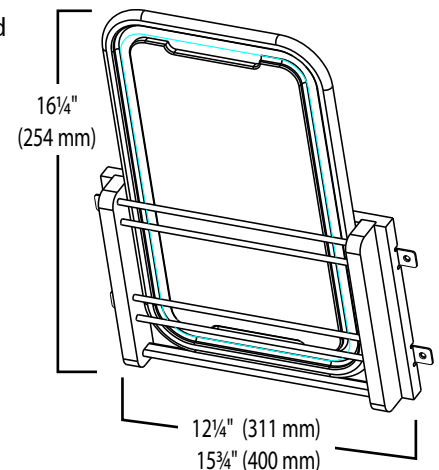
DOOR MOUNT POLYETHYLENE CUTTING BOARD



A cut above the rest is the new door mounted cutting board available in 15" and 18" widths. The 4DMCB features a stylish wood and chrome support rack and an easy to clean, abrasive resistant, hygienic, non-stick Polyethylene cutting board. Installation is easy with our patented adjustable mounting brackets and 4 included screws.

4DMCB-15P	WIDTH	DEPTH	HEIGHT
Mount Rack	12¼" (311 mm)	2" (51 mm)	8" (203 mm)
Cutting Board	9¾" (248 mm)	⅝" (16 mm)	15¾" (407 mm)

4DMCB-18P	WIDTH	DEPTH	HEIGHT
Mount Rack	15¾" (400 mm)	2" (51 mm)	8" (203 mm)
Cutting Board	13⅜" (339 mm)	⅝" (16 mm)	15¾" (407 mm)



Door Mounting Brackets provide 5" of adjustment!
US PATENT NO: 7,204,569

PRODUCT #s	DESCRIPTION	PRODUCT DIMENSIONS	MIN. OPENING	FINISH	SET PER CARTON	WEIGHT PER CARTON	SUGGESTED LIST PRICE
Door Mount Polyethylene Cutting Board							Individual Pack
4DMCB-15P	Door Mount Polyethylene Cutting Board	12¼" (311 mm)W x 2" (51 mm)D x 16¼" (413 mm)H	13½" (343 mm)	Wood	1	6 lbs.	\$67.30
4DMCB-18P	Door Mount Polyethylene Cutting Board	15¾" (400 mm)W x 2" (51 mm)D x 16¼" (413 mm)H	16½" (419 mm)	Wood	1	9 lbs.	\$84.95

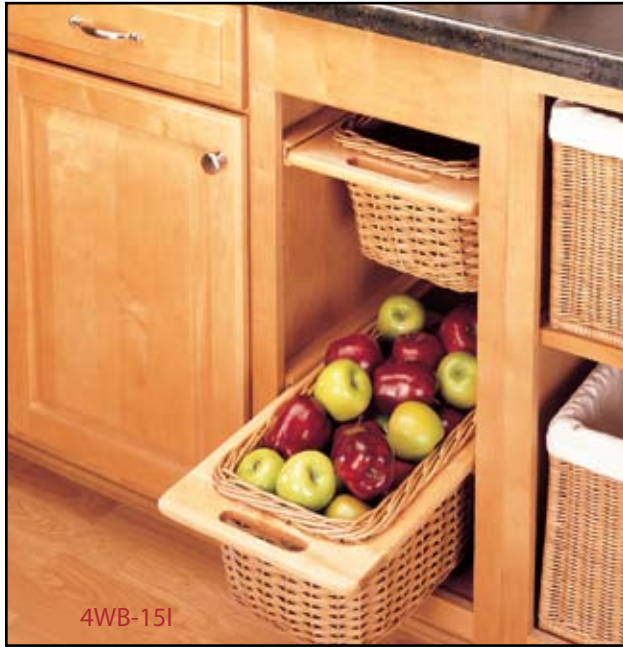
CONTAINS:
(1) door mount cutting board, (4) AMB (Adjustable Mounting Brackets) & (4) screws US PATENT NO: 7,204,569

4WB SERIES

RATTAN BASKETS WITH RAILS

The perfect storage solution for fruits and vegetables, these superior quality rattan baskets are now available in three sizes to fit a variety of cabinet applications. The 4WB Series includes one basket, two side mount rails and one plastic liner.

SINK & BASE ACCESSORIES
REV-A-SHELF®
Wood Classics™



4WB-151



Clear Polymer Liner



4WB-520I

PRODUCT #s	DESCRIPTION	PRODUCT DIMENSIONS	FINISH	SET PER CARTON	WEIGHT PER CARTON	SUGGESTED LIST PRICE
Rattan Basket with Rails						Individual Pack
4WB-151	Base 15 Rattan Basket, Polymer Liners with Rails	11¼" (311 mm)W x 21¼" (540 mm)D x 7¾" (188 mm)H	Rattan	1	6 lbs.	\$91.35
4WB-181	Base 18 Rattan Basket Polymer Liners with Rails	14¼" (362 mm)W x 21¼" (540 mm)D x 7¾" (188 mm)H	Rattan	1	8 lbs.	\$97.00
Euro Rail Rattan Baskets						Individual Pack
4WB-320I	320 mm Rattan Basket, Polymer Liners with Rails	320 mm (12½")W x 451 mm (17¾")D x 188 mm (7½")H	Rattan	1	6 lbs.	\$89.30
4WB-420I	420 mm Rattan Basket Polymer Liners with Rails	420 mm (16½")W x 451 mm (17¾")D x 188 mm (7½")H	Rattan	1	6 lbs.	\$98.00
4WB-520I	520 mm Rattan Basket, Polymer Liners with Rails	520 mm (20½")W x 451 mm (17¾")D x 188 mm (7½")H	Rattan	1	8 lbs.	\$107.60

NOTE:

New Euro Basket Rails sizes are 29 mm (1⅜")W x 451 mm (17¾")D x 32 mm (1¼")H
 Standard Basket Rails sizes are 2" (51 mm)W x 21¼"D (540 mm) x 1⅞"W (33 mm)H

CONTAINS:

(1) Rattan Basket, (1) Clear Polymer Liner and (2) side mount rails.



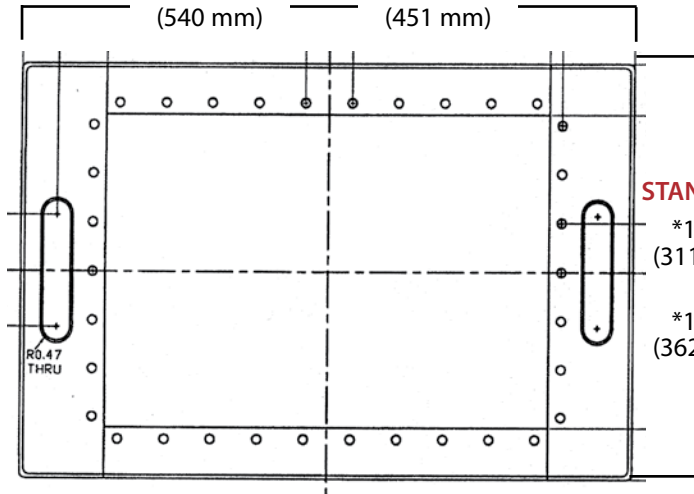
4WB-3201

STANDARD

21 1/4"
(540 mm)

EURO

17 3/4"
(451 mm)



STANDARD

*11 1/4"
(311 mm)
or
*14 1/4"
(362 mm)

EURO

*320 mm
(12 5/8")
or
*420 mm
(16 5/16")
or
*520 mm
(20 1/2")

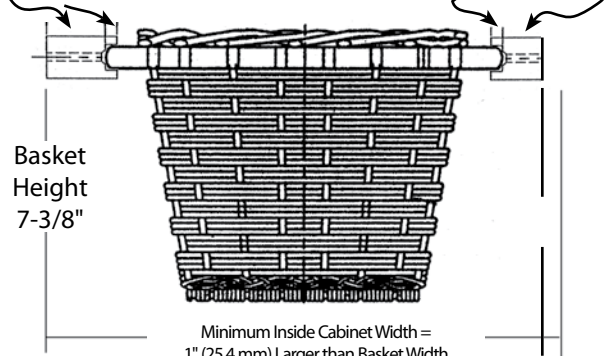
NEW EURO SIZES

STANDARD RAIL

2" (51 mm)
.33" (8 mm)

EURO RAIL

29 mm (1 1/8")
9 mm (.34")



Basket Height
7-3/8"

Minimum Inside Cabinet Width =
1" (25.4 mm) Larger than Basket Width

Maximum Inside Cabinet Width =
3.34" (85 mm) Larger than Basket Width

Euro Maximum Inside Cabinet Width =
1.57" (39.9 mm) Larger than Basket Width

***Width + 3/8" (9.5 mm) =
Minimum
Cabinet Opening**

**SINK & BASE
ACCESSORIES**



4WB SERIES

STATIC RATTAN BASKETS

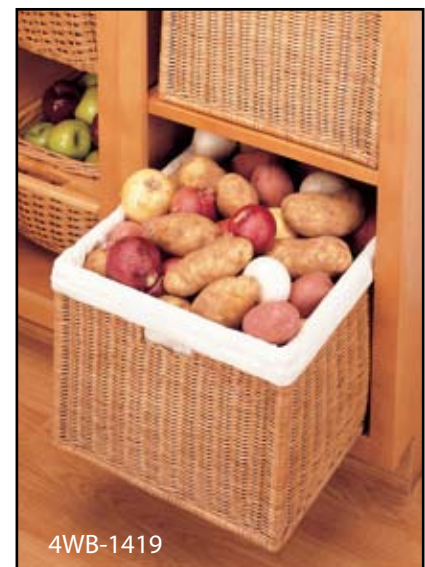


4WB-421-4

Increase functionality while enhancing kitchen design with Rev-A-Shelf's new Static Rattan Baskets. Attractive and practical, the various basket sizes offer endless storage options and feature 100% cotton off-white cloth liners.



4WB-1723



4WB-1419

PAGE
163

**WALL CABINET
STATIC BASKETS**

PRODUCT #s	DESCRIPTION	PRODUCT DIMENSIONS	FINISH	SET PER CARTON	WEIGHT PER CARTON	SUGGESTED LIST PRICE
Static Rattan Baskets						
4WB-421-4	Static Rattan Basket	4" (102 mm)W x 20 7/8" (530 mm)D x 4 1/4" (108 mm)H	Wicker	4	7 lbs.	\$39.60 ea.
4WB-1419-52	Static Rattan Basket	14 1/2" (369 mm)W x 19 1/4" (489 mm)D x 11 1/4" (286 mm)H	Wicker	1	5 lbs.	\$82.20
4WB-1723-52	Static Rattan Basket	17 1/2" (445 mm)W x 22 3/4" (578 mm)D x 11 1/4" (286 mm)H	Wicker	1	6 lbs.	\$118.75

NOTE: 4WB-421 Series Sold as a set of (4), Suggested List Price is per basket. These items are hand-woven rattan baskets, allow 1/8" total variance.
CONTAINS: 4WB-421 Series (4) Rattan Baskets and (4) Canvas Liners 4WB1419/4WB1729 Series (1) Rattan Basket and (1) Canvas Liner

Create a functional storage space behind those decorative panels with the new base filler cabinet. We didn't just create another organizer...we created the whole cabinet that transforms decorative filler into useful storage pull-outs. The 432 is available for 3", 6" and NEW 9" base cabinet applications and features adjustable shelves with chrome rails, full-extension ball bearing slides, and our three slide design provides for the most stable function on the market.

SINK & BASE ACCESSORIES
 REV-A-SHELF®
 Wood Classics™



432-BF-3C

PRODUCT #s	DESCRIPTION	PRODUCT DIMENSIONS	FINISH	SET PER CARTON	WEIGHT PER CARTON	SUGGESTED LIST PRICE
Base Filler Organizer						Individual Pack
432-BF-3C	3" Filler Organizer	3" (76 mm)W x 23" (584 mm)D x 30" (762 mm)H	Wood	1	12 lbs.	\$150.65
432-BF-6C	6" Filler Organizer	6" (152 mm)W x 23" (584 mm)D x 30" (762 mm)H	Wood	1	19 lbs.	\$181.40
432-BF-9C	9" Filler Organizer	9" (229 mm)W x 23" (584 mm)D x 30" (762 mm)H	Wood	1	27 lbs	\$212.15

CONTAINS:
 (1) completely assembled organizer with 150# Weight Rated full-extension slides and adjustable shelves.



432-BF-6C



432-BF-6C

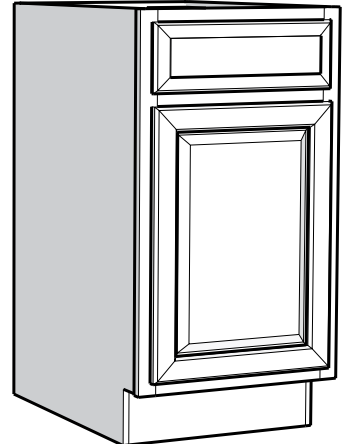
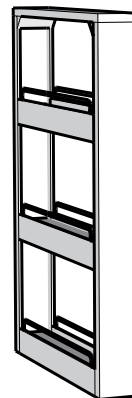
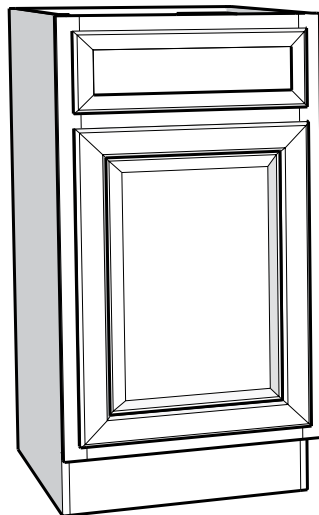
SINK & BASE ACCESSORIES



PAGE 164
WALL CABINET VERSIONS



432-BF-9C



Installation is easy! Simply attach the organizer to adjacent cabinets and add a filler front and decorative onlay for a completely functional storage pull-out.

SINK & BASE ACCESSORIES
REV-A-SHELF
*Wood Classics*TM



Now everyone can utilize and personalize the space wasted behind decorative fillers with this ground-breaking storage option.

We didn't just create another organizer... we created the whole cabinet that transforms decorative fillers into storage pullouts.

The fillers feature full-extension ball bearing slides, black accessory hooks and pegs and stainless steel panels that provide endless storage customization from storing pots and pans, cleaning accessories, various cooking utensils, keys, craft supplies and much, much more.

Our three slide design provides for the most stable function on the market.



Works great with Door Storage Trays (Page 107)

PRODUCT #s	DESCRIPTION	PRODUCT DIMENSIONS	FINISH	SET PER CARTON	WEIGHT PER CARTON	SUGGESTED LIST PRICE
Base Filler Organizer with Stainless Panel						Individual Pack
434-BF-3SS	3" Filler Organizer	3" (76 mm)W x 23" (584 mm)D x 30" (762 mm)H	Wood	1	25 lbs.	\$271.00
434-BF-6SS	6" Filler Organizer	6" (152 mm)W x 23" (584 mm)D x 30" (762 mm)H	Wood	1	39 lbs.	\$304.05

PRODUCT #s	DESCRIPTION	FINISH	SET PER CARTON	WEIGHT PER CARTON	SUGGESTED LIST PRICE
Accessories					Bulk Pack
434-Multi-5	5-Hole Rack	Rubberized Black	5	2 lbs.	\$5.50 ea.
434-S3-5	3" Single Hook	Rubberized Black	5	1 lb.	\$2.05 ea.
434-D3-5	3" Double Hook	Rubberized Black	5	1 lb.	\$2.90 ea.
434-Peg3-6	3" Peg	Rubberized Black	6	2 lbs.	\$2.30 ea.
434-S6-5	6" Single Hook	Rubberized Black	5	1 lb.	\$2.30 ea.
434-D6-5	6" Double Hook	Rubberized Black	5	1 lb.	\$3.35 ea.
434-Peg6-6	6" Peg	Rubberized Black	6	2 lbs.	\$3.35 ea.
434-MB-KIT	434 Message Board	White	1	3 lbs.	\$28.70 ea.



Stainless Steel Panel is magnetic.

CONTAINS:

(1) completely assembled organizer with 150# Weight Rated full-extension slides and adjustable shelves



Cleaning Supply Application

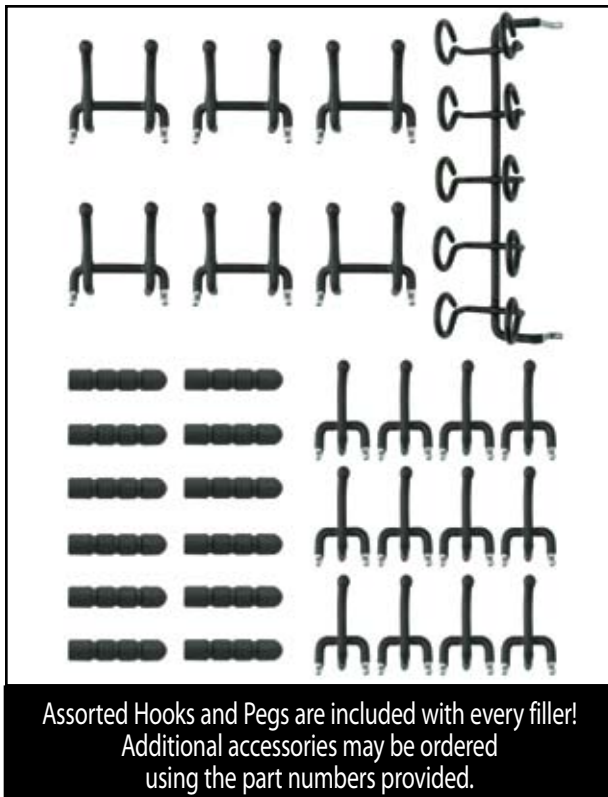


Sewing Application

SINK & BASE ACCESSORIES



PAGE 165 WALL CABINET VERSIONS



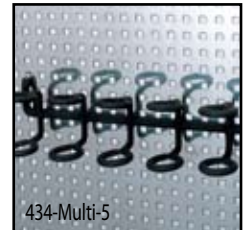
Assorted Hooks and Pegs are included with every filler!
Additional accessories may be ordered using the part numbers provided.



434-S3-5



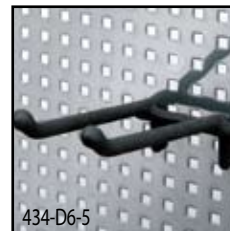
434-S6-5



434-Multi-5



434-D3-5



434-D6-5



434-Peg3-6



434-Peg6-6



Peg Usage

Now you can have the best of both worlds with Rev-A-Shelf's innovative 433 Series. New to the Wood Classic line of accessories, the 433 is designed to turn the wasted space behind decorative fillers into functional storage and features full-extension ball bearing slides, adjustable $2\frac{3}{4}$ "W shelves with chrome accents and a stainless steel panel that comes with an array of accessory hooks so you can customize your storage needs. We didn't just create another organizer... we created the whole cabinet that transforms decorative fillers into storage pullouts. Additional accessory hooks can be purchased separately (see page 100).

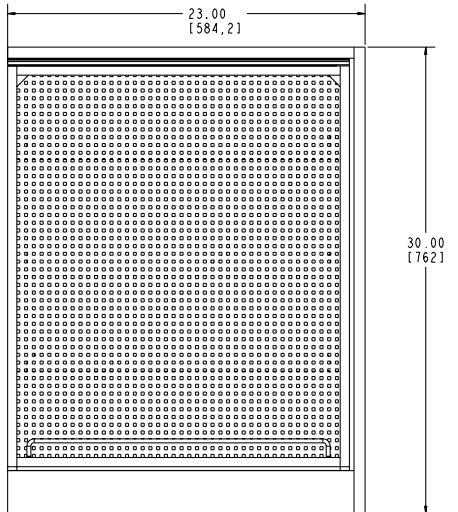
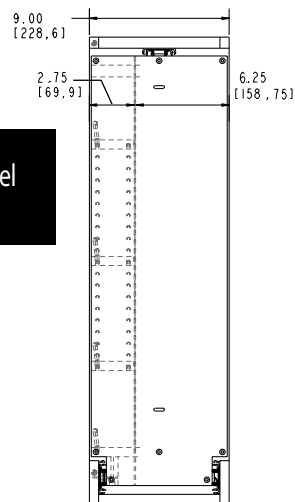
SINK & BASE ACCESSORIES
REV-A-SHELF®
Wood Classics™



One side features adjustable shelves
One side features stainless steel panel



Stainless Steel Panel is magnetic.



PRODUCT #'s	DESCRIPTION	PRODUCT DIMENSIONS	FINISH	SET PER CARTON	WEIGHT PER CARTON	SUGGESTED LIST PRICE
Base Filler Organizer						Individual Pack
433-BF-9C	9" Filler Organizer	9" (229 mm)W x 23" (584 mm)D x 30" (762 mm)H	Wood	1	27 lbs.	\$363.95

CONTAINS: (1) completely assembled organizer with 150# Weight Rated full-extension slides and adjustable shelves with chrome rails, a stainless steel panel with a variety of accessory hooks and pegs.

Designed for full-height base cabinets, these beautiful base organizers feature adjustable shelves with chrome rails to help keep everything in its place. Made from birch/maple with a UV clear coat finish to match any kitchen décor. Units glide on our patented "tri-slides" which minimize any side-to-side motion and provide complete stability when pulled out of the cabinet. Door mounting is easy with our patented door mount brackets that provide up to 5 inches of flexibility for trouble-free installation on any door style. Designed for 9", 12", and 15" full height face frame base cabinets, and 9" full height frameless cabinets.

SINK & BASE ACCESSORIES

RED-A-SHELF®
Wood Classics™



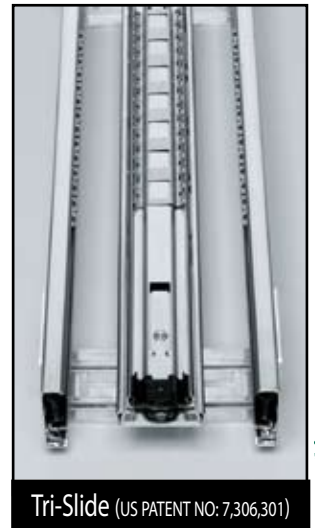
THREE NEW SIZES!
6.5" for Frameless FHB9
11" for FHB15 and a 19" Depth for Shallow Applications



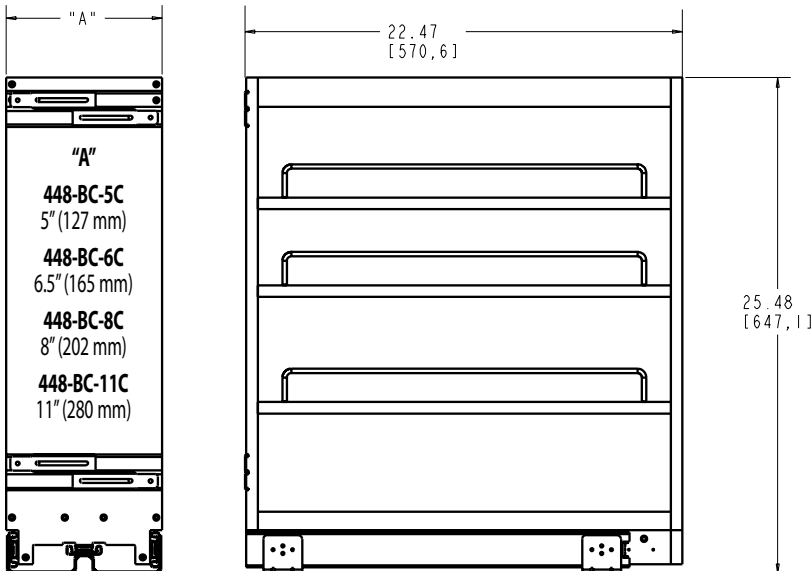
Keep spices within reach with the 448 Spice Rack insert. Available in two sizes for use in the 8" and 11" 448 Series Pull-Out Base Organizers, this spice insert features a unique angled design for easy spice access, an easy drop in installation, and a maple UV clear coat finish to match your pull-out and any kitchen décor. Don't forget to think outside of the cabinet; this insert is perfect for other applications in Craft, Sewing and Laundry Rooms as well.

PRODUCT #'s	DESCRIPTION	PRODUCT DIMENSIONS	FINISH	SET PER CARTON	WEIGHT PER CARTON	SUGGESTED LIST PRICE
Base Organizer						Individual Pack
448-BC-5C	Base Organizer	See Detailed Specifications on Opposite Page	Wood	1	32 lbs.	\$176.15
448-BC19-5C	Base Organizer (19" Depth)	5" (127 mm)W x 19" (483 mm) D x 25½" (647 mm)H	Wood	NEW! 1	30 lbs.	\$202.00
448-BC-6C	Frameless Organizer	See Detailed Specifications on Opposite Page	Wood	NEW! 1	34 lbs.	\$182.70
448-BC-8C	Base Organizer	See Detailed Specifications on Opposite Page	Wood	1	36 lbs.	\$202.15
448-SR8-1	Spice Rack for Above	7" (178 mm)W x 21" (534 mm)D x 4⅞" (124 mm)H	Wood	NEW! 1	5 lbs.	\$41.60
448-BC-11C	Base Organizer	See Detailed Specifications on Opposite Page	Wood	NEW! 1	32 lbs.	\$288.40
448-SR11-1	Spice Rack for Above	10" (254 mm)W x 21" (534 mm)D x 4⅞" (124 mm)H	Wood	NEW! 1	6 lbs.	\$53.20

CONTAINS: (1) Pull-Out Shelving System, 3 Adjustable Shelves with Chrome Rails, 150# Weight-Rated, Full-Extension Tri-Slides, Rub Bushings.
NOTE: Full height door base cabinet required. US PATENT NO: 7,204,569; 7,306,301

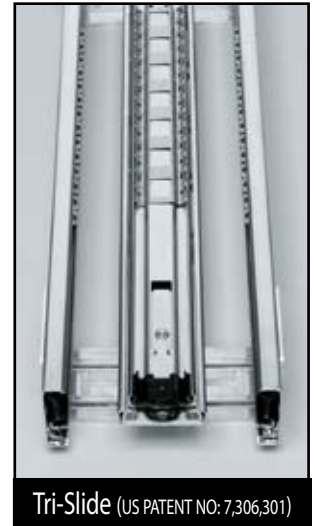


SINK & BASE ACCESSORIES
REV-A-SHELF
Wood Classics



Introducing the Wood Classic Pull-Out Organizer, designed for full-height Base 12" cabinets, this beautiful wood pull-out with chrome accents features a stainless steel panel and an array of accessory hooks for ideal customization for your storage needs. The 444 also features patented door mount brackets that allow up to 5 inches of flexibility for trouble-free installation on any door style and our patent pending "tri-slides" that minimizes any side-to-side motion and provide complete stability when pulled out of the cabinet. Additional accessory hooks can be purchased separately (see page 100).

SINK & BASE ACCESSORIES
REV-A-SHELF®
 Wood Classics™



PRODUCT #s	DESCRIPTION	PRODUCT DIMENSIONS	FINISH	SET PER CARTON	WEIGHT PER CARTON	SUGGESTED LIST PRICE
Base Organizer				Individual Pack		
444-BC-855	Base Organizer w/Stainless Steel Panel	8" (202 mm)W x 22 1/2" (569 mm)D x 25 1/2" (647 mm)H	Wood/ Stainless	1	32 lbs.	\$321.90

CONTAINS:
 (1) Pull-Out Shelving System, Chrome Rail, 150# Weight-Rated, Full-Extension Tri-Slides, Rub Bushings, and a variety of accessory pegs and hooks.
NOTE: Full height door base cabinet required. US PATENT NO: 7,204,569

PAGE 167

WALL CABINET VERSIONS

Wood has never looked so good or been so versatile. The new 4231 Series Wood Storage Trays are ideal for any of your storage needs. The 14" and 20" width trays are available in single or five tray sets and feature a sleek design constructed of beautiful birch/maple with chrome accents. The door storage trays are easy to install with screw-in clips, pegboard clips or mount the trays to 26" or 58" standards with standard clips (sold separately).



Two 14" Wood Storage Trays (4231-14-52) shown with included Screw-In Clips.



Two 14" Wood Storage Trays with optional Aluminum Standard and Clips (Sold Separately)



Aluminum Standard with Adjustable Clip

SINK & BASE ACCESSORIES
REV-A-SHELF
Wood Classics

PRODUCT #'s	DESCRIPTION	PRODUCT DIMENSIONS	FINISH	SET PER CARTON	WEIGHT PER CARTON	SUGGESTED LIST PRICE
Door Storage Trays						Individual Pack
4231-14-52	14" Wood Door Storage Tray W/ Screw In Clips	13¾" (349 mm) W x 4¼" (108 mm) D x 3⅝" (91 mm) H	Wood	1 tray	3 lbs	\$37.55
4231-20-52	20" Wood Door Storage Tray W/ Screw In Clips	19¾" (502 mm) W x 4¼" (108 mm) D x 3⅝" (91 mm) H	Wood	1 tray	5 lbs.	\$42.05
Door Storage Trays						Bulk Pack
4235-14-5	14" Wood Door Storage Tray w/Screw In Clips	13¾" (349 mm) W x 4¼" (108 mm) D x 3⅝" (91 mm) H	Wood	5 tray	12 lbs.	\$27.25 ea.
4235-20-5	20" Wood Door Storage Tray w/Screw In Clips	19¾" (502 mm) W x 4¼" (108 mm) D x 3⅝" (91 mm) H	Wood	5 tray	18 lbs.	\$31.75 ea.
Hardware						
6232-26-4528-52	Pair Aluminum Standards & 4 Clips	26" (1473 mm) L	Bright Aluminum	1 pr.	1 lbs.	\$36.55
6232-58-4528-52	Pair Aluminum Standards & 10 Clips	58" (1473 mm) L	Bright Aluminum	1 pr.	2 lbs.	\$51.60

CONTAINS: Door Storage Tray(s) with Screw-In Clips.

NOTE: Aluminum Standards with adjustable clips are sold separately. Additional tray clips may be ordered - Part No: 6231-41-4101-10

548 SERIES

TWO-TIER BASE ORGANIZER



Keep 2 liter bottles stored in this easy-to-reach base pull-out. The 548-06 Base Organizer is designed for Base 9" cabinets and features universal brackets for right or left hand mounting, ball-bearing slides and a door mountable chrome frame. Also available in white (see page 79).

SINK & BASE
ACCESSORIES

Premiere
Cabinet Accessories

PRODUCT #s	DESCRIPTION	PRODUCT DIMENSIONS	FINISH	SET PER CARTON	WEIGHT PER CARTON	SUGGESTED LIST PRICE
Base Organizer						Individual Pack
548-06CR	Two-Tier Base Organizer	5½" (140 mm)W x 19¾" (482 mm)D x 19½" (498 mm)H	Chrome	1	8.7 lbs.	\$128.45

5432 SERIES

TWO-TIER BASE ORGANIZER



Turn that small space found in a Base 9 cabinet into a useful storage area with this modern two shelf pull-out. With aluminum shelves and chrome rails, this sleek organizer features a bottom bracket and an adjustable side mount bracket to provide unparalleled stability. The 5432-05CR has a door mountable frame and comes with full-extension soft-close slides.



Soft-close full-extension ball bearing slides.



Adjustable side mount spacers adapts to varying face frame stock



Unique side mount and floor mount installation allows this product to adapt to any frame or frameless application.

PRODUCT #s	DESCRIPTION	PRODUCT DIMENSIONS	FINISH	SET PER CARTON	WEIGHT PER CARTON	SUGGESTED LIST PRICE
Two-Tier Shelf						Individual Pack
5432-05CR	Two-Tier Base Organizer	5¾" (146 mm)W x 22¼" (566 mm)D x 23½" (588 mm)H	Chrome/Aluminum	1	14.15 lbs.	\$258.10

NOTES: Designed for framed or frameless cabinet, minimum opening 6" (153 mm)W. Side mount spacer adjusts from 7/8" to 1¼" (22-32 mm)
CONTAINS: Organizer, cabinet member slides, side mount spacers, feet for bottom mounting. Door mount brackets.

RAS-ML-HDCR SERIES

HEAVY-DUTY MIXER LIFT

With design flexibility in mind, the heavy-duty chrome mixer lift can be attached to any custom made shelf and therefore will fit all cabinet sizes allowing a perfect match to your counter top or interior cabinet. Referred as the "best in the industry", the RAS-ML-HDCR features built-in shock dampeners, adjustable spring tension and holds appliances up to 60 lbs.



SINK & BASE ACCESSORIES
Premiere
Cabinet Accessories

Patent Pending

PRODUCT #'s	DESCRIPTION	PRODUCT DIMENSIONS	FINISH	SET PER CARTON	WEIGHT PER CARTON	SUGGESTED LIST PRICE
Heavy-Duty Mixer Lift					Individual Pack	
RAS-ML-HDCR	Heavy Duty Mixer Lift	See Illustrations Next page	Chrome	1	15 lbs.	\$143.85

NOTE:
Needs to be installed in full height base cabinet.

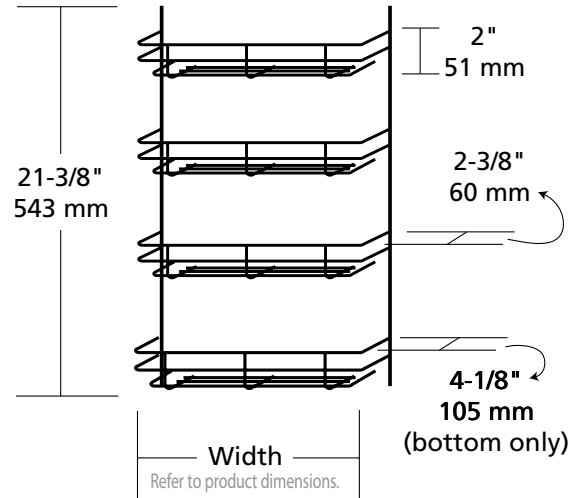
CONTAINS:
Right and Left Lifting arms, Hardware. **SHELF NOT INCLUDED.**

565 SERIES

Save space on the shelf by storing spices and canned goods on a Door Mount Spice Rack. The 565 Series is available in three different widths and features three small tiers to hold spices and one larger tier that can accommodate canned goods. The Door Mount Spice Rack is made of heavy-gauge white wire and easily installs with just four screws.



DOOR MOUNT SPICE RACK



PRODUCT #s	DESCRIPTION	PRODUCT DIMENSIONS	FINISH	SET PER CARTON	WEIGHT PER CARTON	SUGGESTED LIST PRICE
Door Mount Spice Rack			Individual Pack			
565-8-52	Door Mount Spice Rack	7% (200 mm)W x 2 $\frac{3}{8}$ " (61 mm) – 4 $\frac{1}{8}$ " (105 mm)D x 21 $\frac{3}{8}$ " (543 mm)H	White Wire	1	1.7 lbs.	\$38.55
565-10-52	Door Mount Spice Rack	10% (270 mm)W x 2 $\frac{3}{8}$ " (61 mm) – 4 $\frac{1}{8}$ " (105 mm)D x 21 $\frac{3}{8}$ " (543 mm)H	White Wire	1	2.2 lbs.	\$43.95
565-14-52	Door Mount Spice Rack	13% (346 mm)W x 2 $\frac{3}{8}$ " (61 mm) – 4 $\frac{1}{8}$ " (105 mm)D x 21 $\frac{3}{8}$ " (543 mm)H	White Wire	1	2.4 lbs.	\$45.65
Door Mount Spice Rack			Bulk Pack			
565-8	Door Mount Spice Rack	7% (200 mm)W x 2 $\frac{3}{8}$ " (61 mm) – 4 $\frac{1}{8}$ " (105 mm)D x 21 $\frac{3}{8}$ " (543 mm)H	White Wire	20	22 lbs.	\$35.80 ea.
565-10	Door Mount Spice Rack	10% (270 mm)W x 2 $\frac{3}{8}$ " (61 mm) – 4 $\frac{1}{8}$ " (105 mm)D x 21 $\frac{3}{8}$ " (543 mm)H	White Wire	20	22.5 lbs.	\$41.30 ea.
565-14	Door Mount Spice Rack	13% (346 mm)W x 2 $\frac{3}{8}$ " (61 mm) – 4 $\frac{1}{8}$ " (105 mm)D x 21 $\frac{3}{8}$ " (543 mm)H	White Wire	20	29.5 lbs.	\$42.50 ea.

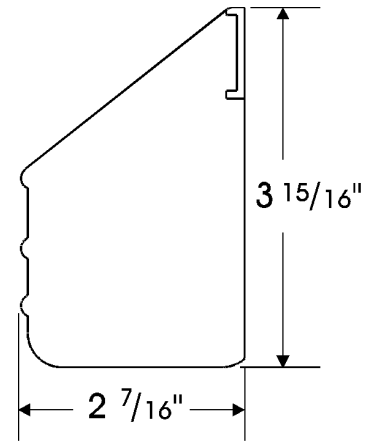
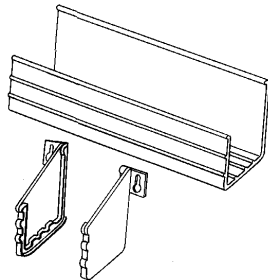
CONTAINS:

(1) wire rack, (4) door mount clips and (4) screws

ST/6571 SERIES

Create more room in cabinets with a Door Mount Spice Rack. The ST/6571 Series is available in 36" or 72" extruded trays that can be cut-to-size. Components include end caps, screws, and adhesive (each sold separately). The Door Mount Spice Racks are available in white or almond colors.

Custom cut trays to length and glue end caps on with Rev-A-Glue. (Included)



PRODUCT #s	DESCRIPTION	PRODUCT DIMENSIONS	FINISH	SET PER CARTON	WEIGHT PER CARTON	SUGGESTED LIST PRICE
Door Mount Spice Rack			Individual Pack			
6571-36-**-4	Trays	36" (914 mm)W x 2 $\frac{7}{16}$ " (62 mm)D x 3 $\frac{15}{16}$ " (100 mm)H	Polymer Trays	20	19 lbs.	\$12.75 ea.
6571-72-**-4	Trays	72" (1829 mm)W x 2 $\frac{7}{16}$ " (62 mm)D x 3 $\frac{15}{16}$ " (100 mm)H	Polymer Trays	20	35.4 lbs.	\$30.00 ea.
ST-97-**-4	End Caps, Screws			40 Pr.	3.8 lbs.	\$7.10 pr.
6571-60-52	Tube of Adhesive	2 Gram		1	.1 lbs.	\$5.65
6571-61-52	Bottle of Adhesive	1 Ounce		1	.1 lbs.	\$29.85

NOTE:

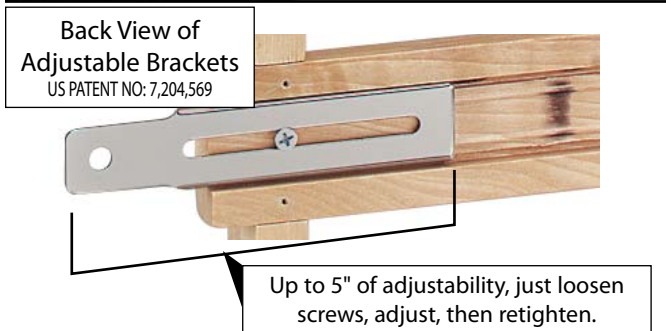
6571: Extruded cut-to-size trays, components must be ordered separately.

** Trays Available in two colors—11–White, 15–Almond

4SR SERIES

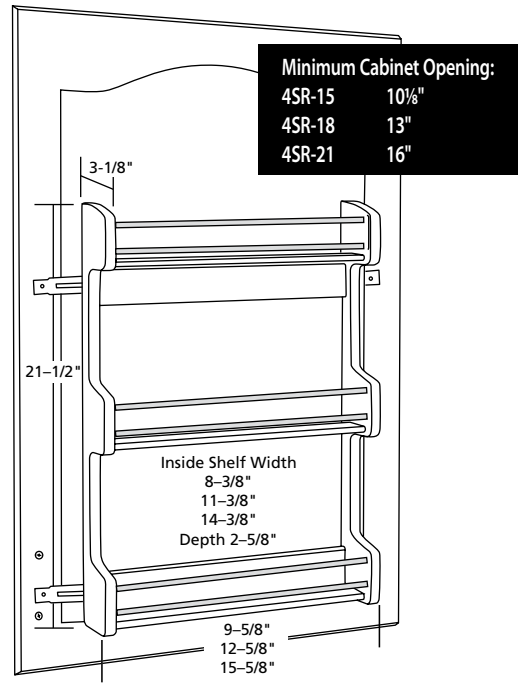
DOOR MOUNT SPICE RACK

Maintain shelf space and keep spices within reach with a Wood Classic Door Mount Spice Rack. Made of attractive birch/maple hardwood, this storage saver is available for Wall 15", 18" and 21" cabinets. The 4SR Series features a UV-Cured clear finish that ensures an acceptable match to most cabinets and easily installs with just four screws.



Back View of Adjustable Brackets
US PATENT NO: 7,204,569

Up to 5" of adjustability, just loosen screws, adjust, then retighten.



WALL ACCESSORIES

REV-A-SHELF
Wood Classics

PRODUCT #s	DESCRIPTION	PRODUCT DIMENSIONS	FINISH	SET PER CARTON	WEIGHT PER CARTON	SUGGESTED LIST PRICE	
						Individual Pack	
4SR-15	Wall 15 Door Mount Spice Rack	9 7/8" (245 mm)W x 3 3/8" (79 mm)D x 21 1/2" (546 mm)H	Wood	1	3 lbs.	\$34.35	
4SR-18	Wall 18 Door Mount Spice Rack	12 7/8" (321 mm)W x 3 3/8" (79 mm)D x 21 1/2" (546 mm)H	Wood	1	3.5 lbs.	\$41.20	
4SR-21	Wall 21 Door Mount Spice Rack	15 7/8" (397 mm)W x 3 3/8" (79 mm)D x 21 1/2" (546 mm)H	Wood	1	4 lbs.	\$48.30	

CONTAINS:
 (1) Door Mount Spice Rack and 4 Screws, AMB BRACKETS: US PATENT NO: 7,204,569

NOTE:
 Height between shelves is 8 5/8" (219 mm)

4ASR SERIES

ADJUSTABLE DOOR MOUNT SPICE RACK

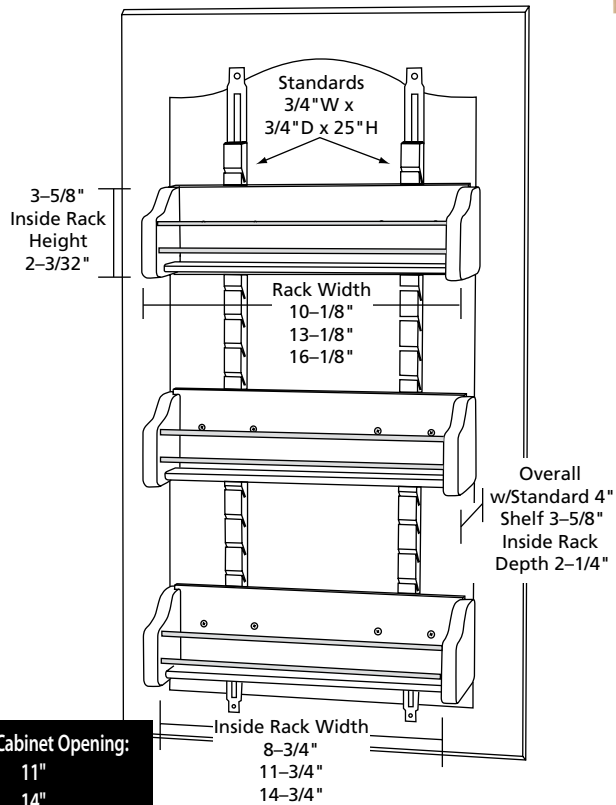
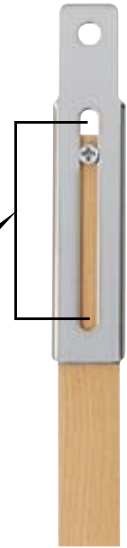
Add space, flexibility and convenience with Rev-A-Shelf's Adjustable Door Mount Spice Rack. This beautiful birch/maple hardwood rack is available for Wall 15", 18" and 21" cabinets. The 4ASR Series features adjustable shelves, a UV-Cured clear finish, and generous shelf space to house spice bottles up to 2 1/4" diameter.



Our storage organizers include patented brackets that offer up to an extra 5" of mounting adjustability. The **AMB** attachment is designed to extend mounting options to the thick portion of the door increasing installation flexibility and eliminating the need for sub-door panels.

US PATENT NO: 7,204,569

Up to 5" of adjustability, just loosen screws, adjust, then retighten.



Bracket on back of shelf for attaching to standards

Minimum Cabinet Opening:

- 4ASR-15 11"
- 4ASR-18 14"
- 4ASR-21 16 3/4"

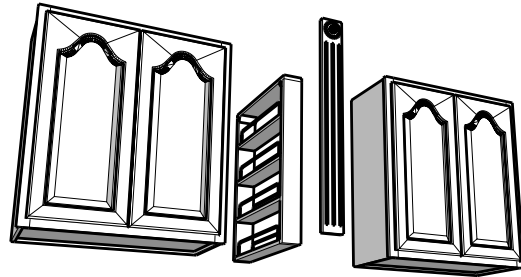
PRODUCT #'s	DESCRIPTION	PRODUCT DIMENSIONS	FINISH	SET PER CARTON	WEIGHT PER CARTON	SUGGESTED LIST PRICE
Adjustable Door Mount Spice Rack			Individual Pack			
4ASR-15	Wall 15 Adjustable Door Mount Spice Rack	10 7/8" (257 mm)W x 4" (102 mm)D x 25" (635 mm)H	Wood	1	4 lbs.	\$84.70
4ASR-18	Wall 18 Adjustable Door Mount Spice Rack	13 1/8" (333 mm)W x 4" (102 mm)D x 25" (635 mm)H	Wood	1	4.75 lbs.	\$104.85
4ASR-21	Wall 21 Adjustable Door Mount Spice Rack	16 1/8" (410 mm)W x 4" (102 mm)D x 25" (635 mm)H	Wood	1	5.5 lbs.	\$125.00
4ASR-31STD-20	31" Door Mount Spice Rack Standards		Wood	20	10 lbs.	\$9.85 ea.
4ASR-37STD-20	37" Door Mount Spice Rack Standards		Wood	20	14 lbs.	\$10.90 ea.

CONTAINS:

(3) Shelves, (2) 25" Slotted Standards and Screws, AMB BRACKETS: US PATENT NO: 7,204,569



Create a functional storage space behind those decorative panels with the new wall filler cabinet. We didn't just create another organizer...we created the whole cabinet that transforms decorative fillers into useful storage pullouts. The 432 Series is available for 3" and 6" wall and base cabinet applications and features adjustable shelves with chrome rails and full-extension ball bearing slides.



THIS PRODUCT IS INSTALLED BETWEEN TWO CABINETS. ONLY THE FACE MUST BE ADDED!

42" Height

36" Height

30" Height



WALL ACCESSORIES

REV-A-SHELF® Wood Classics™



PAGE 99 **BASE CABINET VERSION**

PRODUCT #s	DESCRIPTION	PRODUCT DIMENSIONS	FINISH	SET PER CARTON	WEIGHT PER CARTON	SUGGESTED LIST PRICE
Wall Pull-Out Filler						
432-WF-3C	30" Tall 3" Filler Organizer	3" (76 mm)W x 11½" (283 mm)D x 30" (762 mm)H	Wood	1	12 lbs.	\$138.45
432-WF-6C	30" Tall 6" Filler Organizer	6" (152 mm)W x 11½" (283 mm)D x 30" (762 mm)H	Wood	1	19 lbs.	\$172.40
432-WF36-3C	36" Tall 3" Filler Organizer	3" (76 mm)W x 11½" (283 mm)D x 36" (915 mm)H	Wood	1	14 lbs.	\$147.75
432-WF36-6C	36" Tall 6" Filler Organizer	6" (152 mm)W x 11½" (283 mm)D x 36" (915 mm)H	Wood	1	23 lbs.	\$181.40
432-WF42-3C	42" Tall 3" Filler Organizer	3" (76 mm)W x 11½" (283 mm)D x 42" (1067 mm)H	Wood	1	15.5 lbs.	\$157.05
432-WF42-6C	42" Tall 6" Filler Organizer	6" (152 mm)W x 11½" (283 mm)D x 42" (1067 mm)H	Wood	1	25 lbs.	\$190.65

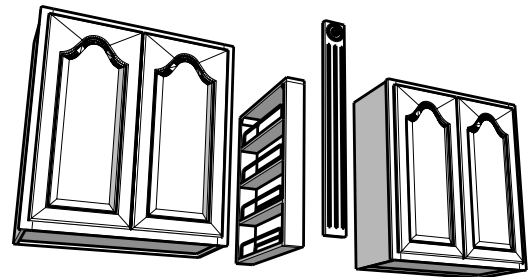
Individual Pack

CONTAINS:
(1) completely assembled organizer with 100# Weight Rated, full-extension slides and adjustable shelves



Stainless Steel Panel is magnetic.

Utilize and personalize the space wasted behind decorative fillers with this ground-breaking storage option. Rev-A-Shelf's 434 series accommodates 30" tall Wall cabinets with 3" and 6" width versions. We didn't just create another organizer...we created the whole cabinet that transforms decorative fillers into storage pullouts. The fillers feature full-extension ball bearing slides, black accessory hooks and pegs, and a stainless steel panel that provide endless storage customization from keys, to kitchen utensils



THIS PRODUCT IS INSTALLED BETWEEN TWO CABINETS. ONLY THE FACE MUST BE ADDED!



MESSAGE BOARD KIT
SEE PAGE 100 FOR OTHER ACCESSORIES

PAGE 100
BASE CABINET VERSION

WALL ACCESSORIES
REV-A-SHELF® Wood Classics™

PRODUCT #'s	DESCRIPTION	PRODUCT DIMENSIONS	FINISH	SET PER CARTON	WEIGHT PER CARTON	SUGGESTED LIST PRICE
Wall Pull-Out Filler			Individual Pack			
434-WF-3SS	3" Perforated Filler Organizer	3" (76 mm)W x 11½" (283 mm)D x 30" (762 mm)H	Wood	1	12 lbs.	\$199.95
434-WF-6SS	6" Perforated Filler Organizer	6" (152 mm)W x 11½" (283 mm)D x 30" (762 mm)H	Wood	1	19 lbs.	\$243.15
434-MB-KIT	434 Message Board		White	1	3 lbs.	\$28.70

CONTAINS: 1 completely assembled organizer with full-extension slides and adjustable shelves
434-MB-KIT: Message Board, Eraser, Markers, and Marker Holder.

448-WC SERIES

PULL-OUT SHELVING SYSTEM

Introducing the Wood Classic Adjustable Shelf Pull-Out with chrome rails designed for wall 9" and wall 12" cabinets. The 448 Series features our technologically advanced patent pending "tri-slides" for complete stability and patented door mount brackets providing up to 5 inches of flexibility for trouble-free installation on any door style. This unique storage solution includes three adjustable shelves and offers up to five surface areas by utilizing the top of the unit to provide another shelf for taller 36" or 42" applications.



448-WC-5C



448-WC-8C

WALL
ACCESSORIES

REV-A-SHELF®
Wood Classics™

PAGE 104
BASE CABINET
VERSION



Tri-Slide (US PATENT NO: 7,306,301)



Adjustable Door Mount Brackets

US PATENT NO: 7,204,569



Installation is easy with the 448 Series. From the underside of the cabinet simply screw the wood block to the bottom of the cabinet for complete stability.

PRODUCT #s	DESCRIPTION	PRODUCT DIMENSIONS	FINISH	SET PER CARTON	WEIGHT PER CARTON	SUGGESTED LIST PRICE
Wall Pull-Out Shelving System						Individual Pack
448-WC-5C	Wall 9" Pull-Out	5" (127 mm)W x 10¾" (237 mm)D x 26¼" (667 mm)H	Wood	1	12 lbs.	\$123.70
448-WC-8C	Wall 12" Pull-Out	8" (204 mm)W x 10¾" (237 mm)D x 26¼" (667 mm)H	Wood	1	20 lbs.	\$139.80

CONTAINS: (1) Pull-Out Shelving System, Chrome Rails, and Full-Extension Tri-Slides. AMB BRACKETS: US PATENT NO: 7,204,569:: TRI-SLIDE: US PATENT NO: 7,306,301

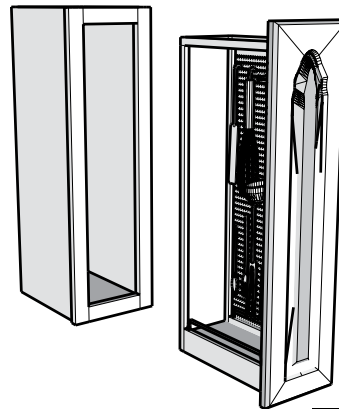
Top Rails add 1¼" (32 mm)



PAGE 106
BASE CABINET VERSION

Stainless Steel Panel is magnetic.

Functional and organized wall cabinets are now possible with the new 444 Series. Designed for Wall 9" cabinets, this pull-out features birch/maple wood construction with chrome accents, stainless steel panel and an array of included accessory hooks that allow you to customize your storage needs. Additional features include patented "tri-slides" that prevent any side-to-side motion and provide complete stability when pulled out of the cabinet and patented door mount brackets that allow up to 5 inches of flexibility for trouble-free installation on any door style. Additional accessory hooks can be purchased separately (see page 100).



THIS PRODUCT IS INSTALLED IN A TYPICAL 9" WALL CABINET WITH A 5½" TO 6" OPENING.



Message Board Kit



Adjustable Door Mount Brackets

WALL ACCESSORIES
REV-A-SHELF®
Wood Classics™

PRODUCT #s	DESCRIPTION	PRODUCT DIMENSIONS	FINISH	SET PER CARTON	WEIGHT PER CARTON	SUGGESTED LIST PRICE
Wall Pull-Out Organizer			Individual Pack			
444-WC-5SS	Wall Cabinet w/Stainless Steel Panel	5" (127 mm)W x 10¾" (273 mm)D x 26¼" (667 mm)H	Wood	1	12 lbs	\$184.00
434-MB-KIT	Message Board Kit		White	1	3 lbs.	\$28.70

CONTAINS: 444-WC-5SS: One completely assembled organizer with full-extension slides, chrome rails, rub bushings, and a variety pegs and hooks. 434-MB-KIT: Message Board, Eraser, Markers, and Marker Holder. AMB BRACKETS: US PATENT NO: 7,204,569 :: TRI-SLIDE: US PATENT NO: 7,306,301

3000 SERIES

WINE AND STEMWARE RACKS

Now available in Oil Rubbed Bronze. The entire collection provides both durability and elegance, featuring new heavy gauge wire construction and hidden mounting. Easy to install, the 3150, 3250, and 3450 under cabinet stemware and wine bottle racks are ideal for showcasing wine and glass collections. Available now in four finishes traditional Chrome, stylish Satin Nickel, beautiful Brass, and breathtaking Oil Rubbed Bronze; the varying finishes are certain to complement any décor. The 3000 Series encompasses a unique 11" Quad that holds up to 12 glasses, 11", 16", and 18" single stemware racks and a double wine bottle rack.



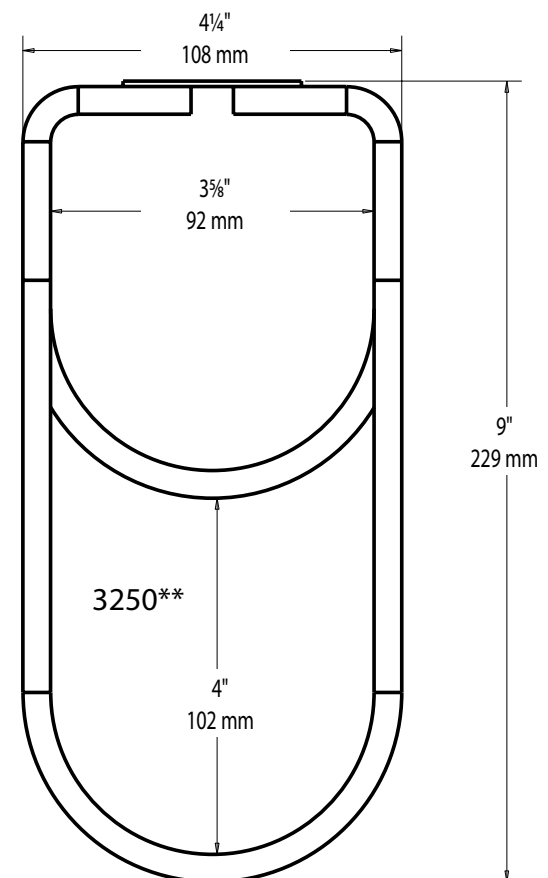
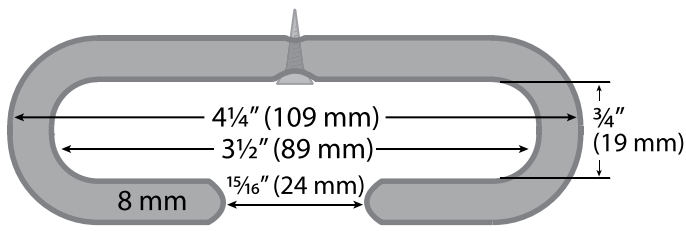
WALL ACCESSORIES

Premiere
Cabinet Accessories

PRODUCT #'s	DESCRIPTION	PRODUCT DIMENSIONS	FINISH	SET PER CARTON	WEIGHT PER CARTON	SUGGESTED LIST PRICE
Chrome Collection						Individual Pack
3150-11CR	11" Stemware Holder	4¼" (108 mm)W x 11" (280 mm)D x 1½"(38 mm)H	Chrome	1	.84 lbs.	\$8.10
3150-16CR	16" Stemware Holder	4¼" (108 mm)W x 16" (407 mm)D x 1½"(38 mm)H	Chrome	1	1.2 lbs.	\$9.55
3150-18CR	18" Stemware Holder	4¼" (108 mm)W x 18" (457 mm)D x 1½"(38 mm)H	Chrome	1	2 lbs.	\$10.75
3250CR	Double Bottle Rack	4¼" (108 mm)W x 9" (229 mm)H x ⅝"(16 mm)Thick	Chrome	1	1.5 lbs.	\$13.80
3450-11CR	11" Quad Stemware Holder	17" (432 mm)W x 11" (280 mm)D x 1½"(38 mm)H	Chrome	1	4 lbs.	\$29.70
Satin Nickel Collection						Individual Pack
3150-11SN	11" Stemware Holder	4¼" (108 mm)W x 11" (280 mm)D x 1½"(38 mm)H	Satin Nickel	1	.84 lbs.	\$9.30
3150-16SN	16" Stemware Holder	4¼" (108 mm)W x 16" (407 mm)D x 1½"(38 mm)H	Satin Nickel	1	1.2 lbs.	\$11.00
3150-18SN	18" Stemware Holder	4¼" (108 mm)W x 18" (457 mm)D x 1½"(38 mm)H	Satin Nickel	1	2 lbs.	\$12.30
3250SN	Double Bottle Rack	4¼" (108 mm)W x 9" (229 mm)H x ⅝"(16 mm)Thick	Satin Nickel	1	1.5 lbs.	\$15.35
3450-11SN	11" Quad Stemware Holder	17" (432 mm)W x 11" (280 mm)D x 1½"(38 mm)H	Satin Nickel	1	4 lbs.	\$34.65
Brass Collection						Individual Pack
3150-11BR	11" Stemware Holder	4¼" (108 mm)W x 11" (280 mm)D x 1½"(38 mm)H	Brass	1	.84 lbs.	\$9.55
3150-16BR	16" Stemware Holder	4¼" (108 mm)W x 16" (407 mm)D x 1½"(38 mm)H	Brass	1	1.2 lbs.	\$11.60
3150-18BR	18" Stemware Holder	4¼" (108 mm)W x 18" (457 mm)D x 1½"(38 mm)H	Brass	1	2 lbs.	\$12.90
3250BR	Double Bottle Rack	4¼" (108 mm)W x 9" (229 mm)H x ⅝"(16 mm)Thick	Brass	1	1.5 lbs.	\$16.10
3450-11BR	11" Quad Stemware Holder	17" (432 mm)W x 11" (280 mm)D x 1½"(38 mm)H	Brass	1	4 lbs.	\$36.25
Oil Rubbed Bronze Collection NEW!						Individual Pack
3150-11ORB	11" Stemware Holder	4¼" (108 mm)W x 11" (280 mm)D x 1½"(38 mm)H	Oil Rubbed Bronze	1	.84 lbs.	\$10.90
3150-16ORB	16" Stemware Holder	4¼" (108 mm)W x 16" (407 mm)D x 1½"(38 mm)H	Oil Rubbed Bronze	1	1.2 lbs.	\$12.35
3150-18ORB	18" Stemware Holder	4¼" (108 mm)W x 18" (457 mm)D x 1½"(38 mm)H	Oil Rubbed Bronze	1	2 lbs.	\$13.80
3250ORB	Double Bottle Rack	4¼" (108 mm)W x 9" (229 mm)H x ⅝"(16 mm)Thick	Oil Rubbed Bronze	1	1.5 lbs.	\$19.30
3450-11ORB	11" Quad Stemware Holder	17" (432 mm)W x 11" (280 mm)D x 1½"(38 mm)H	Oil Rubbed Bronze	1	4 lbs.	\$38.90

3000 SERIES

WINE AND STEMWARE RACKS



WALL ACCESSORIES

Premiere
Cabinet Accessories

5PD SERIES

PREMIERE PULL-DOWN SHELVING SYSTEM

Tired of dragging the dining room chair into the kitchen to reach everything in your wall cabinet? Introducing Rev-A-Shelf's magnificent Pull-Down Shelving System. The 5PD Series is a chrome-plated two-tier pull-down shelf that brings hard-to-reach items down 10" while pulling out 14¾" from the cabinet. This functional pull-out features a unique gas assisted lifting/lowering mechanism that provides unparalleled stability through the entire range of motion. The Pull-Down Shelving System includes both side and bottom mount brackets and is available for Wall 24" and 36" cabinets.



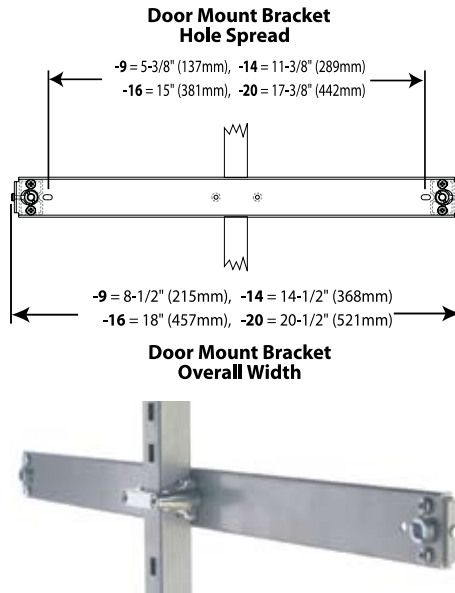
WALL
ACCESSORIES

Premiere
Cabinet Accessories

Make life easier with Rev-A-Shelf's white wire pull-out pantry. The 5200 Series is designed with adjustable frame heights from 43 $\frac{3}{8}$ " to 80 $\frac{3}{8}$ " for utility cabinets. All pantry units feature adjustable baskets, micro-adjustment door mounting brackets and 450 lbs. rated slide system for a quiet glide out function. Pantries are kit packaged with frame, baskets and door mounting brackets in one carton.



5200 Series Pull-Out Pantry



Door mounting brackets feature micro adjustment. *Included with all pantries.*

These products come with built-in door mount brackets.

If the hole spread aligns with a thin, delicate, or seamed area of your cabinet, use part 5200-DM-KIT-52 (sold separately) to ensure mounting to the thick portion of your door.

Another Rev-A-Shelf Innovation ... Double Soft-Close Slides!

Even with the most heavy loads our pantries will shut softly with our Heavy-Duty Soft-Close slide system, developed and manufactured exclusively for Rev-A-Shelf by:



Upper Soft-Close Slide



Lower Soft-Close Slide

PAGE 137

**PULL-OUT PANTRY
DETAILED SPECIFICATIONS!**

TALL & PANTRY
ACCESSORIES



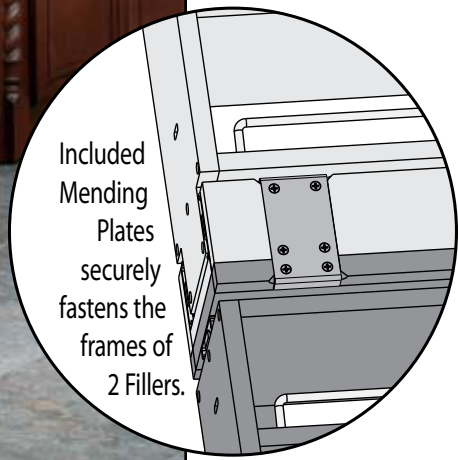
PRODUCT #S	DESCRIPTION	BASKET WIDTH	FRAME HEIGHT	OVERALL DEPTH	FINISH	SET PER CARTON	WEIGHT PER CARTON	SUGGESTED LIST PRICE
Utility Cabinet Pull-Out Pantry								Individual Pack
5243-09N	4 Baskets/2 Door Mount Brackets	8 $\frac{3}{8}$ " (226 mm)	43 $\frac{3}{8}$ "-50 $\frac{3}{8}$ " (1102-1289 mm)	20" (508 mm)	White Wire	1	42 lbs.	\$812.85
5243-14N	4 Baskets/2 Door Mount Brackets	14 $\frac{3}{4}$ " (375 mm)	43 $\frac{3}{8}$ "-50 $\frac{3}{8}$ " (1102-1289 mm)	20" (508 mm)	White Wire	1	48 lbs.	\$864.20
5243-20N	4 Baskets/2 Door Mount Brackets	20 $\frac{5}{8}$ " (524 mm)	43 $\frac{3}{8}$ "-50 $\frac{3}{8}$ " (1102-1289 mm)	20" (508 mm)	White Wire	1	55 lbs.	\$878.10
5250-09	4 Baskets/2 Door Mount Brackets	8 $\frac{3}{8}$ " (226 mm)	50 $\frac{3}{4}$ "-58 $\frac{1}{4}$ " (1289-1480 mm)	20" (508 mm)	White Wire	1	44 lbs.	\$846.05
5250-14	4 Baskets/2 Door Mount Brackets	14 $\frac{3}{4}$ " (375 mm)	50 $\frac{3}{4}$ "-58 $\frac{1}{4}$ " (1289-1480 mm)	20" (508 mm)	White Wire	1	50 lbs.	\$905.55
5250-20	4 Baskets/2 Door Mount Brackets	20 $\frac{5}{8}$ " (524 mm)	50 $\frac{3}{4}$ "-58 $\frac{1}{4}$ " (1289-1480 mm)	20" (508 mm)	White Wire	1	56 lbs.	\$913.35
5258-09	5 Baskets/3 Door Mount Brackets	8 $\frac{3}{8}$ " (226 mm)	58 $\frac{1}{4}$ "-65 $\frac{3}{4}$ " (1480-1670 mm)	20" (508 mm)	White Wire	1	48 lbs.	\$900.45
5258-14	5 Baskets/3 Door Mount Brackets	14 $\frac{3}{4}$ " (375 mm)	58 $\frac{1}{4}$ "-65 $\frac{3}{4}$ " (1480-1670 mm)	20" (508 mm)	White Wire	1	58 lbs.	\$957.45
5258-20	5 Baskets/3 Door Mount Brackets	20 $\frac{5}{8}$ " (524 mm)	58 $\frac{1}{4}$ "-65 $\frac{3}{4}$ " (1480-1670 mm)	20" (508 mm)	White Wire	1	66 lbs.	\$982.50
5273-09	6 Baskets/4 Door Mount Brackets	8 $\frac{3}{8}$ " (226 mm)	73 $\frac{3}{8}$ "-80 $\frac{3}{4}$ " (1870-2051 mm)	20" (508 mm)	White Wire	1	58 lbs.	\$1,192.20
5273-14	6 Baskets/4 Door Mount Brackets	14 $\frac{3}{4}$ " (375 mm)	73 $\frac{3}{8}$ "-80 $\frac{3}{4}$ " (1870-2051 mm)	20" (508 mm)	White Wire	1	75 lbs.	\$1,201.45
5273-20	6 Baskets/4 Door Mount Brackets	20 $\frac{5}{8}$ " (524 mm)	73 $\frac{3}{8}$ "-80 $\frac{3}{4}$ " (1870-2051 mm)	20" (508 mm)	White Wire	1	78 lbs.	\$1,226.70
5200-DM-KIT-52	Door Mount Extenders (one pair)				Silver Epoxy	1	1 lbs.	\$63.80

NOTE: All pantry kits are packaged with frame, baskets, and door mounting brackets in one carton. 450# rated Full-Extension slides. **Ship by truck.** Baskets are adjustable, first basket mounts on top of the slide, 6" (152 mm) from floor, holes then available every 4" (102 mm) above that.

Create a pantry behind those decorative panels with the new Tall 432 fillers. Available for 6" applications, the 432TF Series comes in 39" and 45" heights and can be used alone or in conjunction with others to meet your 84", 90", or 96" height requirements. A beautiful addition to any kitchen; each unit features adjustable shelves (5 for the 39", and 6 for the 45") with chrome rails, 150 lb. full-extension ball bearing slides, mounting brackets and our three-slide design that provides for the most stable function on the market. Made from birch/maple with a UV clear coat finish to match any kitchen décor.



TALL & PANTRY ACCESSORIES
 REV-A-SHELF®
 Wood Classics™

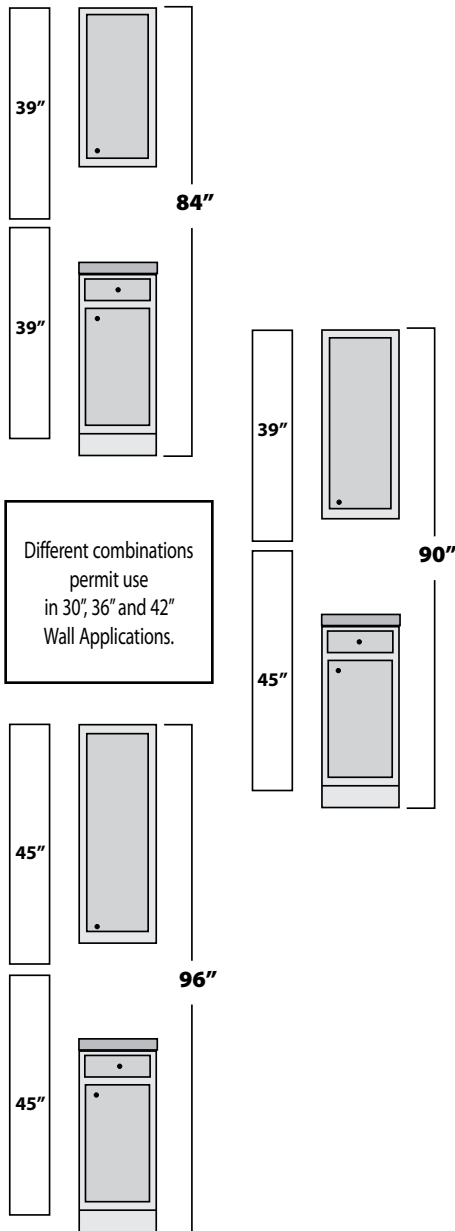


PRODUCT #s	DESCRIPTION	PRODUCT DIMENSIONS	FINISH	SET PER CARTON	WEIGHT PER CARTON	SUGGESTED LIST PRICE
Tall Filler Organizers						
Individual Pack						
432-TF39-6C	39" Tall Filler Organizer	6" (153 mm)W x 23" (584 mm)D x 38½" (978 mm)H	Wood	1	25 lbs.	\$400.80
432-TF45-6C	45" Tall Filler Organizer	6" (153 mm)W x 23" (584 mm)D x 44½" (1130 mm)H	Wood	1	29 lbs.	\$431.95

434 SERIES

TALL STAINLESS FILLER ORGANIZERS

Functional storage space is waiting behind those decorative panels with the new Tall 434 fillers. Available for 6" applications this filler comes in 39" and 45" heights and can be used alone or in conjunction with others to meet your 84", 90", or 96" height requirements. Now customization and style is yours with the 434's magnetic stainless steel panel, chrome accents and array of accessory hooks. The 434TF also features 150 lb. full-extension ball bearing slides, mounting brackets and our three-slide design that provides for the most stable function on the market.



Can be combined with the 432 Series Tall Filler Organizers to create even more combinations!



TALL & PANTRY ACCESSORIES
REV-A-SHELF
Wood Classics

PRODUCT #s	DESCRIPTION	PRODUCT DIMENSIONS	FINISH	SET PER CARTON	WEIGHT PER CARTON	SUGGESTED LIST PRICE
Tall Filler Organizers						
Individual Pack						
434-TF39-6SS	39" Tall Filler Organizer (Left Handed)	6" (153 mm)W x 23" (584 mm)D x 38½" (978 mm)H	Wood	1	33 lbs.	\$484.25
434-TF39R-6SS	39" Tall Filler Organizer (Right Handed)	6" (153 mm)W x 23" (584 mm)D x 38½" (978 mm)H	Wood	1	47 lbs.	\$484.25
434-TF45-6SS	45" Tall Filler Organizer (Left Handed)	6" (153 mm)W x 23" (584 mm)D x 44½" (1130 mm)H	Wood	1	33 lbs.	\$514.10
434-TF45R-6SS	45" Tall Filler Organizer (Right Handed)	6" (153 mm)W x 23" (584 mm)D x 44½" (1130 mm)H	Wood	1	47 lbs.	\$514.10

NEW!

Organize your cleaning supplies with this remarkable Utility cabinet pullout. The 5276 is accessible from both sides and features two half shelves, an adjustable hook bar, a magnetic stainless steel panel with accessory pegs for hanging brushes, dust pans and other cleaning utensils and a unique broom/mop storage system that adjusts above a drip pan. Designed on 450 lbs. rated slides for a quiet glide out function this premiere accessory features micro-adjustment door mounting brackets and Double Soft-Close Slides that allow the heaviest loaded cabinet to shut softly. Only 20" deep, with a telescoping upper shaft that is adjustable from 76½" in height to 90¾".

This side has hooks at the top to hang brooms, mops and other long cleaning utensils. A wire basket with drip pan is located at bottom.

This side has hooks and adjustable pegs to hang cleaning items plus two 8½" baskets.



PRODUCT #s	Description	Width	Frame Height	Overall Depth	FINISH	SET PER CARTON	WEIGHT PER CARTON	SUGGESTED LIST PRICE
Pull-Out Utility Pantry						Individual Pack		
5276-14UC-CR	Utility Pantry W/Soft Close	14¾" (375 mm)	76½"-90¾" (1943-2291 mm)	20" (508 mm)	Chrome	1	75 lbs.	\$2,015.50

CONTAINS: Frame, baskets, and door mounting brackets in one carton. 450# rated Full-Extension slides; two half shelves, hook bar, stainless steel panel, accessory pegs, and drip pan.
NOTE: Ship by truck.

5200 CR SERIES

CHROME PULL-OUT PANTRY

Enhance functionality and preserve a stylish image with the Chrome Pull-Out Pantry. The 5200 CR Series is available in a plentiful selection of sizes and is designed on the 450 lbs. rated slide system for a quiet glide out function. This Premiere accessory features micro-adjustment door mounting brackets and top and bottom slide covers for a finished look. The chrome pull-out pantries are kit packaged with frame, baskets and door mounting brackets in one carton.



5200 Series Chrome Pull-Out Pantry

TALL & PANTRY
ACCESSORIES

Premiere
Cabinet Accessories

Another Rev-A-Shelf Innovation ... Double Soft-Close Slides!

Even with the most heavy loads our pantries will shut softly with our Heavy-Duty Soft-Close slide system, developed and manufactured exclusively for Rev-A-Shelf by:



Lower Soft-Close Slide



Upper Soft-Close Slide

HPRV SERIES

PULL-OUT POLYMER HAMPER

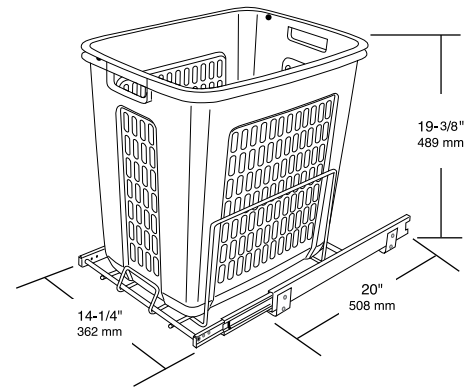
Keep dirty clothes from piling on the floor with Rev-A-Shelf's large Pull-Out Polymer Hamper. The HPRV Series features a shallow 20" depth for vanity applications, full-extension ball bearing slides, 1.71 Bushel capacity and installs with just four screws. Door mount kit sold separately.



HPRV-1520 S



with optional Door Mount Kit
(Sold Separately - RV DM KIT - Pg. 57)



PRODUCT #s	DESCRIPTION	PRODUCT DIMENSIONS	FINISH	SET PER CARTON	WEIGHT PER CARTON	SUGGESTED LIST PRICE	
						Individual Pack	
HPRV-1520 S	Pull-Out Hamper	14¼" (362 mm)W x 20" (508 mm)D x 19¾" (492 mm)H	Polymer	1	12 lbs.	\$133.85	
HPB-03323-52	Replacement Hamper		Polymer	1	5 lbs.	\$38.85	

CONTAINS: (1) Polymer Hamper with frame and full-extension slides

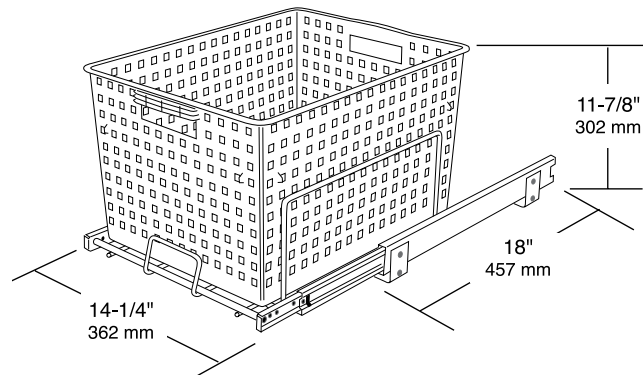
HURV SERIES

PULL-OUT POLYMER HAMPER/UTILITY BASKET

Organize your kitchen, bathroom, closet, garage...the options are endless with this universal hamper/utility basket. The HURV Series features a polymer basket, sturdy wire frame, full-extension slides and easy installation with just four screws.



In the Bathroom with optional Door Mount Kit
(Sold Separately - RV DM KIT - Pg. 57)



Laundry Room Hamper



Kitchen/Cleaning Supplies



Garage/Car Detailing



Easy Removal



Fits Under Plumbing

PRODUCT #s	DESCRIPTION	PRODUCT DIMENSIONS	FINISH	SET PER CARTON	WEIGHT PER CARTON	SUGGESTED LIST PRICE	
						Individual Pack	
HURV-1512 S	Hamper / Utility Basket	14¼" (362 mm)W x 18" (457 mm)D x 11⅞" (302 mm)H	Polymer	1	10 lbs.	\$137.15	
HUB-470X8	Replacement Hamper		Polymer	1	5 lbs.	\$45.55	

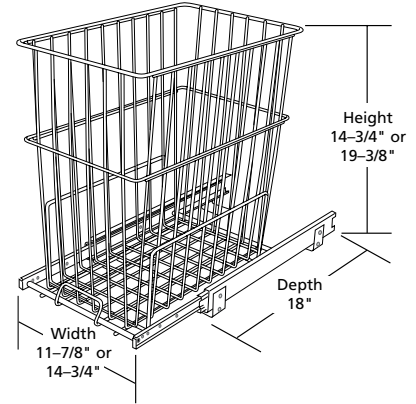
CONTAINS: (1) Polymer hamper/utility basket with frame, full-extension slides and 4 screws

BATHROOM AND VANITY
REV-A-SHELF ACCESSIBLE STORAGE

HRV SERIES

PULL-OUT WIRE HAMPERS

Another option for storing dirty clothes, the Pull-Out Wire Hamper is available in four sizes and is easily removable for carrying to the laundry room. The HRV Series features full-extension slides and easy installation with just four screws.



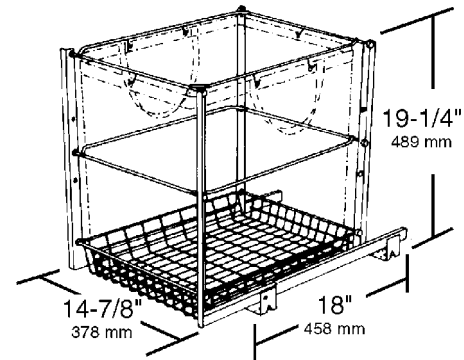
PRODUCT #s	DESCRIPTION	PRODUCT DIMENSIONS	FINISH	SET PER CARTON	WEIGHT PER CARTON	SUGGESTED LIST PRICE
Pull-Out Wire Hamper			Individual Pack			
HRV-1215 S	Wire Hamper	11 $\frac{1}{8}$ " (302 mm)W x 18" (508 mm)D x 14 $\frac{3}{4}$ " (375 mm)H	White Wire	1	12 lbs.	\$149.05
HRV-1220 S	Wire Hamper	11 $\frac{1}{8}$ " (302 mm)W x 18" (508 mm)D x 19 $\frac{1}{8}$ " (492 mm)H	White Wire	1	13 lbs.	\$150.35
HRV-1515 S	Wire Hamper	14 $\frac{3}{4}$ " (375 mm)W x 18" (508 mm)D x 14 $\frac{3}{4}$ " (375 mm)H	White Wire	1	13 lbs.	\$152.55
HRV-1520 S CR	Wire Hamper W/Liner	14 $\frac{3}{4}$ " (375 mm)W x 18" (508 mm)D x 19 $\frac{1}{8}$ " (492 mm)H	Chrome	1	13 lbs.	\$130.50
HRV-1520-LINER	Replacement Liner		Canvas	1	2 lbs	\$13.65
HRV-1520 S	Wire Hamper	14 $\frac{3}{4}$ " (375 mm)W x 18" (508 mm)D x 19 $\frac{1}{8}$ " (492 mm)H	White Wire	1	14 lbs.	\$153.85

CONTAINS: (1) Wire basket with frame, full-extension slides and 4 screws

590 SERIES

PULL-OUT HAMPER & PORTABLE BAG

Stash dirty laundry in this convenient pull-out hamper that holds an astonishing 2 Bushels. The 590 Series features a removable canvas bag with built in handles, full-extension slides and door mount brackets that can be mounted to front frame uprights.



PAGE 57 DOOR MOUNTABLE!

PRODUCT #s	DESCRIPTION	PRODUCT DIMENSIONS	FINISH	SET PER CARTON	WEIGHT PER CARTON	SUGGESTED LIST PRICE
Pull-Out Hamper			Individual Pack			
590-15 S	Pull-Out Canvas Hamper	14 $\frac{7}{8}$ " (378 mm)W x 18" (457 mm)D x 19 $\frac{1}{4}$ " (489 mm)H	Canvas/Wire	1	8.6 lbs.	\$139.05
590-15-1	Extra Canvas Hamper Bag	2 Bushels Capacity	Canvas	1	1.1 lbs.	\$32.65

CONTAINS: (1) full-size bottom basket with 18" (457 mm) full-extension slides and 19 $\frac{1}{4}$ " (489 mm) door mount brackets, (1) canvas hamper bag with hook and loop fasteners, threaded bearings, caps, screws and assembly tool.

BATHROOM AND VANITY



Stow away dirty laundry in Rev-A-Shelf's smooth sliding Premiere Pull-Out Hamper. The 5590 Series features heavy-duty brushed aluminum soft-closing slides that provide exceptional support and stability with a fully adjustable door mount frame. This hide-away laundry system is available for vanity base 18 cabinets and also includes a removable canvas bag with built in handles.



BATHROOM
AND VANITY

Premiere
Cabinet Accessories

Door Mount Extension
Brackets sold separately.
See page 72 for details.

PRODUCT #s	DESCRIPTION	PRODUCT DIMENSIONS	FINISH	SET PER CARTON	WEIGHT PER CARTON	SUGGESTED LIST PRICE
Pull-Out Hamper					Individual Pack	
5590-15CR	Pull-Out Canvas Hamper	14½" (368 mm)W x 18" (457 mm)D x 19¼" (489 mm)H	Canvas/Wire	1	15 lbs.	\$301.60
590-15-1	Extra Canvas Hamper Bag	2 Bushels Capacity	Canvas	1	1.1 lbs.	\$32.65
5345-DM-KIT-52	Door Mount Extension Brackets		Chrome	4	5 lbs.	\$37.10

CONTAINS: (1) full-size bottom basket with 18" (457 mm) full-extension slides and 19¼" (489 mm) door mount brackets, canvas hamper bag with hook and loop fasteners, threaded bearings, caps, screws and assembly tool.

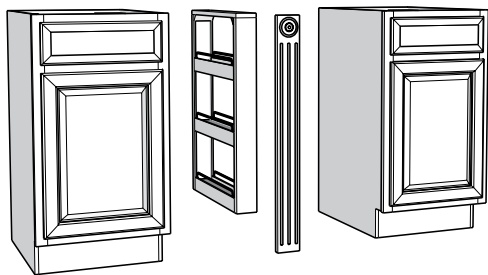
Rev-A-Shelf introduces a ground breaking storage option for your bathroom cabinets. We did not just create another organizer...we created the whole cabinet that transforms decorative fillers into storage pullouts. Now everyone can utilize the space wasted behind decorative fillers. The adjustable shelves feature clear polycarbonate rails and non-skid vinyl shelf liners. Clear polycarbonate storage trays are also included to keep smaller items organized. The 26" version, for vanity height applications and 30" base height version are available in 3" and 6" widths. All sizes are 19" in depth and full-extension ball bearing slides.



NEW!



Available for Base Height and Vanity Height Applications.



Installation is easy!
Simply attach the organizer to adjacent cabinets and add a filler front and decorative onlay for a completely functional storage pull-out.

Polycarbonate Bins Included



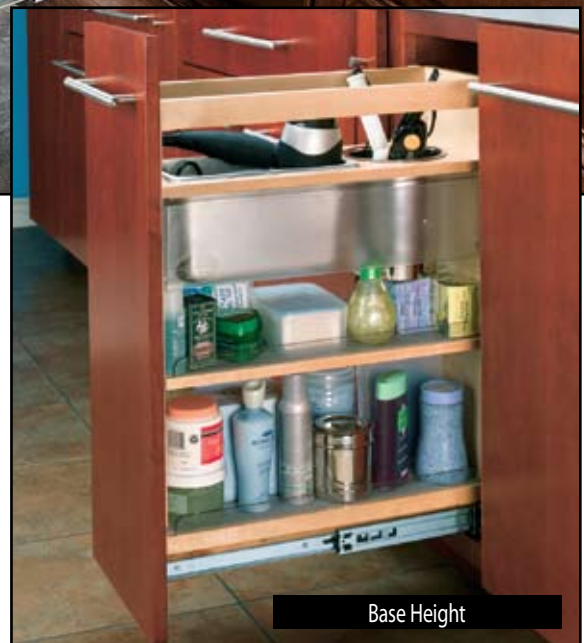
BATHROOM AND VANITY



PRODUCT #'s	DESCRIPTION	PRODUCT DIMENSIONS	FINISH	SET PER CARTON	WEIGHT PER CARTON	SUGGESTED LIST PRICE
Vanity Pull-Out Filler			Individual Pack			
432-VF26-3	3" Vanity Filler Organizer w/4 Polycarbonate Bins	3" (76 mm)W x 19" (483 mm)D x 26" (661 mm)H	Wood	1	10 lbs.	\$230.55
432-VF26-6	6" Vanity Filler Organizer w/4 Polycarbonate Bins	6" (152 mm)W x 19" (483 mm)D x 26" (661 mm)H	Wood	1	17 lbs.	\$298.10
432-VF30-3	3" Vanity Base Height Filler Organizer w/6 Polycarbonate Bins	3" (76 mm)W x 19" (483 mm)D x 30" (762 mm)H	Wood	1	11 lbs.	\$276.65
432-VF30-6	6" Vanity Base Height Filler Organizer w/6 Polycarbonate Bins	6" (152 mm)W x 19" (483 mm)D x 30" (762 mm)H	Wood	1	18 lbs.	\$352.35

CONTAINS: (1) completely assembled organizer with 100# Weight Rated, full-extension slides and adjustable shelves w/polycarbonate bins.
NOTE: Polycarbonate Bins = 7" x 1 3/4" x 2 1/4"

Being beautiful is no longer a beast with the new 445 Vanity Grooming Organizer. Designed for Full Height Vanity Base 12 cabinets, this 19" deep organizer comes complete with adjustable shelves and two stainless steel bins for storing curling irons and hair dryers. The adjustable shelves feature non-skid vinyl liners and clear polycarbonate rails. Two versions are available for both Vanity Height and Base Height applications and feature our patented adjustable door mount brackets that allow up to 5 inches of flexibility for trouble-free installation on any door style. The units glide on our patented "tri-slides" that reduce side-to-side motion and provide complete stability when pulled out of the cabinet.



BATHROOM
AND VANITY

RED-A-SHELF®
Wood Classics™

PRODUCT #s	DESCRIPTION	PRODUCT DIMENSIONS	FINISH	SET PER CARTON	WEIGHT PER CARTON	SUGGESTED LIST PRICE
Vanity Grooming Organizer			Individual Pack			
445-VCG20-8	8" Vanity Grooming Organizer	8" (203 mm)W x 19" (483 mm)D x 20¼" (514 mm)H	Wood	1	25 lbs.	\$261.30
445-VCG25-8	8" Base Height Vanity Grooming Organizer	8" (203 mm)W x 19" (483 mm)D x 25½" (648 mm)H	Wood	1	28 lbs.	\$304.20

CONTAINS:
(1) completely assembled organizer with 100# Weight Rated, full-extension slides and adjustable shelves. AMB BRACKETS: US PATENT NO: 7,204,569 :: TRI-SLIDE: US PATENT NO: 7,306,301

Keep your bathroom organized with the 448 Vanity Base Organizer designed for Full Height Vanity Base 12 cabinets. These beautiful organizers feature adjustable shelves with non-skid vinyl liners and clear polycarbonate storage trays for storing everything from bobby pins to shampoo. The 448-VC is available in both a Vanity Height and Base Height version, and feature our patented adjustable door mount brackets that allow up to 5 inches of flexibility for trouble-free installation on any door style. The units glide on our patented "tri-slides" that reduce side-to-side motion and provide complete stability when pulled out of the cabinet.



Includes polycarbonate bins and a 3rd shelf for more storage options!



BATHROOM AND VANITY
REV-A-SHELF[®]
Wood Classics[™]

PRODUCT #s	DESCRIPTION	PRODUCT DIMENSIONS	FINISH	SET PER CARTON	WEIGHT PER CARTON	SUGGESTED LIST PRICE
Vanity Pull-Out Organizer			Individual Pack			
448-VC20-8	8" Vanity Organizer w/6 Polycarbonate Bins	8" (203 mm)W x 19" (483 mm)D x 20¼" (514 mm)H	Wood	1	23 lbs.	\$335.10
448-VC25-8	8" Base Height Vanity Organizer w/9 Polycarbonate Bins	8" (203 mm)W x 19" (483 mm)D x 25½" (648 mm)H	Wood	1	26 lbs.	\$403.40

CONTAINS: (1) completely assembled organizer with 100# Weight Rated, full-extension slides and adjustable shelves w/polycarbonate bins.
 NOTES: AMB BRACKETS: US PATENT NO: 7,204,569 :: TRI-SLIDE: US PATENT NO: 7,306,301 Polycarbonate Bins = 7" x 4¾" x 2¼"

The pivot out waste container is ideal for keeping garbage out-of-sight yet conveniently accessible under the kitchen or vanity sink. As the cabinet door opens, the lifting mechanism raises the lid enabling the container to pivot-out with the door.



8-010212-14



8-010314-15



8-700411-20



5368-17-13

Recommended for use in a frameless cabinet!



Removable can with handle

BATHROOM AND VANITY
REV-A-SHELF
REV-A-SHELF Accessible Storage

PRODUCT #'s	DESCRIPTION	PRODUCT DIMENSIONS	MIN. OPENING	FINISH	SET PER CARTON	WEIGHT PER CARTON	SUGGESTED LIST PRICE
Round Pivot-Out Waste Containers							
8-010212-14	14 Liter Container	11" (280 mm)W x 10½" (268 mm)D x 13¾" (350 mm)H	13¾" (350 mm)	White Lacquered	1	4.9 lbs.	\$89.25
8-010412-15	15 Liter Container	11½" (292 mm)W x 11½" (292 mm)D x 13½" (343 mm)H	14¾" (375 mm)	White Lacquered	1	4.8 lbs.	\$99.20
8-010314-15	15 Liter Container	11" (280 mm)W x 10½" (268 mm)D x 15¾" (400 mm)H	13¾" (350 mm)	Stainless Steel	1	5.3 lbs.	\$123.25
5368-17-13	13 Liter Container	11¼" (362 mm)W x 11" (280 mm)D x 13¾" (350 mm)H	14¼" (362 mm)	Metallic Silver Polymer	1	4.8 lbs.	\$44.50
8-700411-20	20 Liter Container	15¾" (400 mm)W x 7¼" (185 mm)D x 14" (355 mm)H	16¼" (413 mm)	White Polymer	1	4.9 lbs.	\$159.20

CONTAINS: (1) Waste Container with installation template & fasteners.

NOTES: For minimum interior lid clearance add 4" to product height dimension above.

Create instant storage space for hand towels, hair care products and more with Rev-A-Shelf's 5CLR Linen and Grooming Rack. They install to any door or tall cabinet easily with only four screws, features spacious baskets, and a beautiful chrome finish that is ideal for any bathroom decor.



NEW!

BATHROOM
AND VANITY

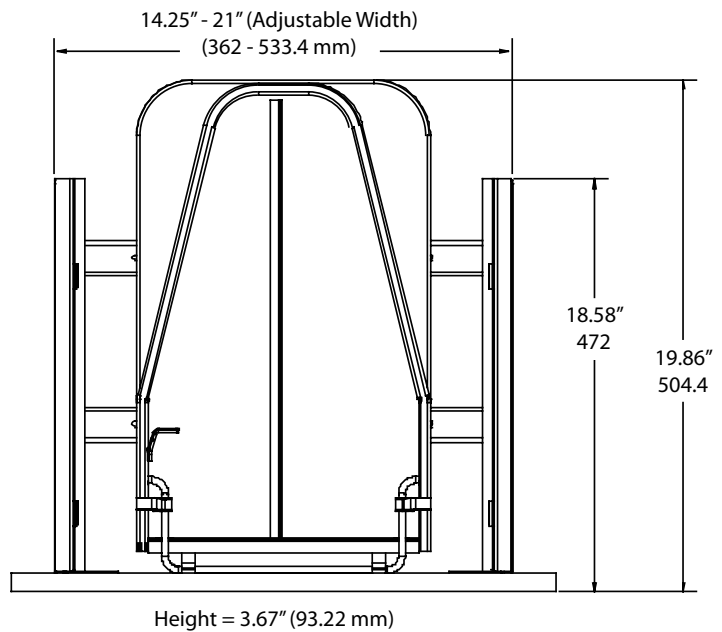
Rev-A-Shelf
Accessible Storage



5VGR-CR

PRODUCT #s	DESCRIPTION	PRODUCT DIMENSIONS	FINISH	SET PER CARTON	WEIGHT PER CARTON	SUGGESTED LIST PRICE
Vanity Fold-Out Ironing Board						
5CLR46-52	Chrome Linen Rack	12¼" (311 mm)W x 5" (127 mm)D x 46¾" (492 mm)H	Chrome	1	15 lbs.	\$94.95
5VGR-CR	Chrome Grooming Rack	9¼" (235 mm)W x 3¾" (95 mm)D x 20¾" (527 mm)H	Chrome	1	3 lbs.	\$21.90

Rev-A-Shelf has ironed out the inconvenience of storing and setting up that bulky ironing board with the introduction of its VIB Series. The uniquely designed expandable frame mounts easily in a vanity drawer between cabinet sides from 14¼" to 21" wide and the fixed brackets allow for easy mounting of all standard drawer fronts. It features a chrome finish and unique ball-bearing slide system that provides sufficient over travel for maximum utilization. Simply open until the gravity lock engages, unfold board and you are ready to iron! See Page 204 for the Closet model!



VIB-20CR (Vanity Cabinet)		SURFACE AREA
WIDTH	LENGTH	
11.8" 300 mm	37.7" 957 mm	

BATHROOM AND VANITY
Premiere
Cabinet Accessories

PRODUCT #'s	DESCRIPTION	PRODUCT DIMENSIONS	FINISH	SET PER CARTON	WEIGHT PER CARTON	SUGGESTED LIST PRICE
Vanity Fold-Out Ironing Board						
VIB-20CR	Fold Out Ironing Board	See drawings for detailed specifications.	Chrome	1	16 lbs.	\$258.80
RAS-VIB COVER-52	Replacement Cover (Vanity)		Silver	1	4 lbs.	\$20.60