

**FENNEL**

Lead by Innovation



Design Registered

# Fennel UK

The 'Samson' Folding Cabinet Leg

*Supporting Cabinets everywhere*

[www.fenneluk.com](http://www.fenneluk.com)



Design Registered

## Unique Height Adjustable Folding Design

Standard & Taller Leg lengths

FIRA tested in excess of 750kg

### Standard 90-165mm

Screw fix option: 40.2014.0001

Dowel fix option: 40.2014.0002

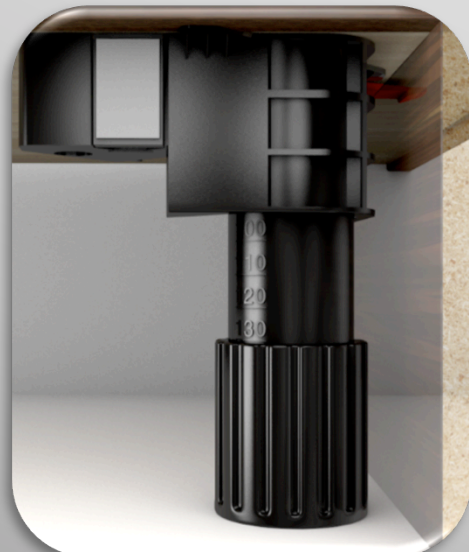
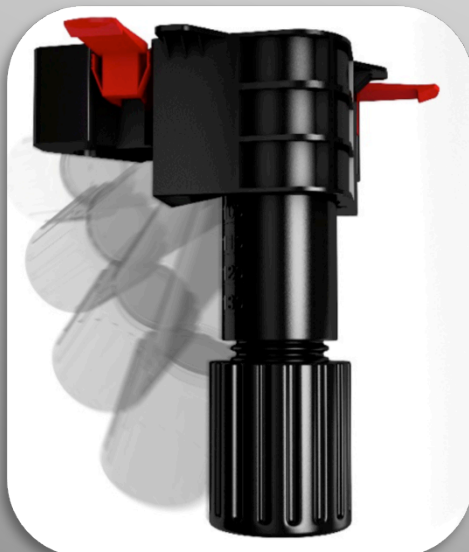
### Taller 140-210mm

Screw fix option: 40.2014.0006

Dowel fix option: 40.2014.0007

## Reduces costs, Adds Value

- ❖ UNIQUE! – the only fully tested and FIRA certified folding leg
- ❖ NEW! - innovative retaining pin – leg stays folded in transit
- ❖ NEW! - easy glide adaptor - round edge profile minimises drag resistance
- ❖ NEW! - additional height indicators – 10mm spacing guides
- ❖ NEW! - expanding dowel centre post – greater core strength
- ❖ IMPROVED - height range – one size leg fits most applications
- ❖ IMPROVED - end panel supports – stronger, no plinth notching required
- ❖ IMPROVED - screw cavity design – increases screw fit stability
- ❖ GREATER! - HIP material content – stronger product



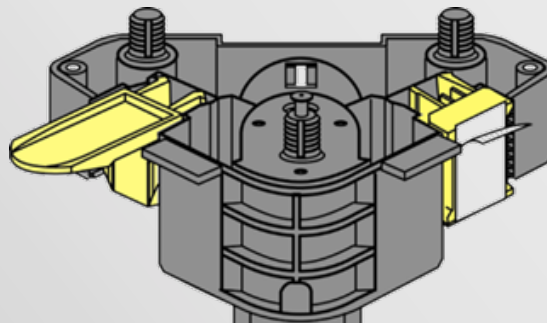
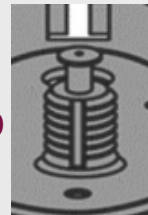
Design Registered

## Base Adaptor Configuration

Supplied ready assembled for screw or dowel fix

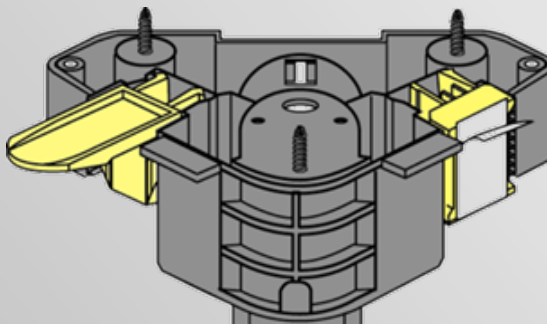
### ❖ Dowel Fit

- ❖ 1 x 12mm centre – unique expanding grip
- ❖ 2 x 10mm outer – fluted profile

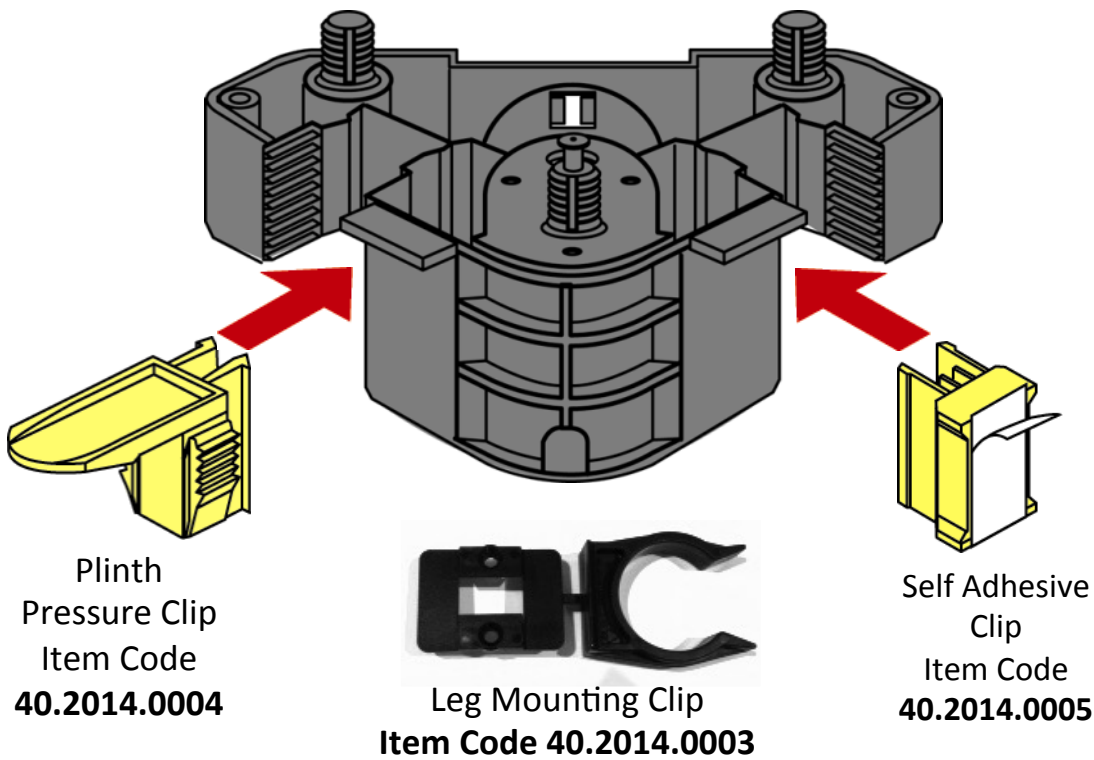


### ❖ Screw Fit

- ❖ 1 x 4mm dia x 16mm CS centre screw
- ❖ 2 x 4mm dia x 30mm CS outer screw



## Our unique 'rapid fit' plinth clips



Design Registered

Save time and money with our improved plinth friendly design

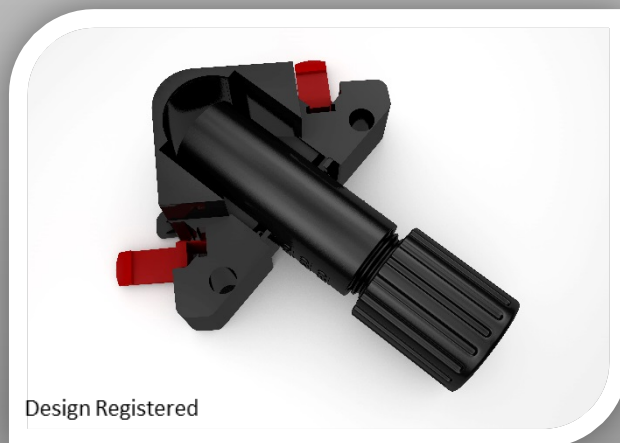
## Let 'Samson' support your cabinets!

To obtain your free sample simply email [sales@fenneluk.com](mailto:sales@fenneluk.com) with your Contact details, Company name and Address, specifying:

- Your preference for a dowel and/or screw fix sample
  - Standard and/or Tall leg

Please visit our website [www.fenneluk.com](http://www.fenneluk.com) where you will find more information including fitting guidelines, drill templates and details of our other products.

If you would like to speak to a member of our team please call us on  
01282 871806



'Samson' – backed by our Lifetime Guarantee

**FENNEL**

Lead by Innovation



## *Innovative Design Engineering*

Fennel UK Ltd  
Unit 3  
Garden Vale Business Centre  
Greenfield Road  
Colne  
Lancashire BB8 9PD

Tel: +44 (0)1282 871806  
Fax: +44 (0)1282 863790  
Email: [sales@fenneluk.com](mailto:sales@fenneluk.com)

**'Samson'**  
Supporting  
Cabinets  
everywhere



Design Registered

[www.fenneluk.com](http://www.fenneluk.com)