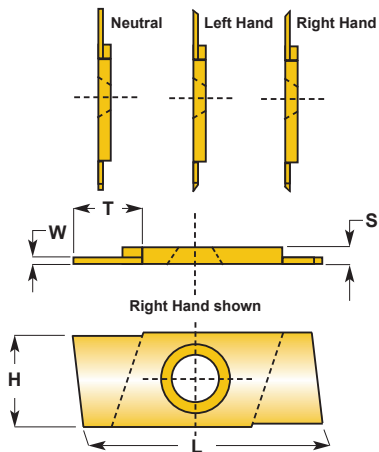

STANDARD GROOVING INSERTS

GRADES
C5PV (P40)
C6PV (P25)
K10 (Uncoated)

INSERT	W	T	H	S	L
SG - 0.5 R - L	0.5	2.54	7.0	2.0	17.0
SG - 0.7 R - L	0.7	2.54	7.0	2.0	17.0
SG - 0.8 R - L	0.8	2.54	7.0	2.0	17.0
SG - 0.9 R - L	0.9	2.54	7.0	2.0	17.0
SG - 1.1 R - L	1.1	6.0	7.0	2.0	17.0
SG - 1.3 R - L	1.3	6.0	7.0	2.0	17.0
SG - 1.6 R - L	1.6	6.0	7.0	2.0	17.0
SG - 1.85 R - L	1.85	6.0	7.0	2.0	17.0


GRADES

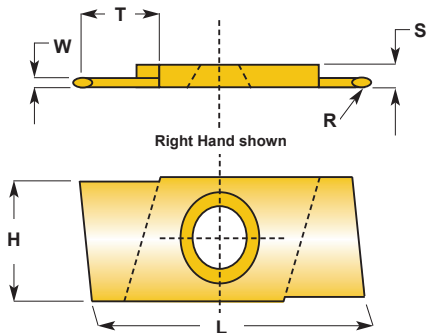
C5PV (P40)

C6PV (P25)

K10 (Uncoated)

CUTOFF AND GROOVING INSERTS

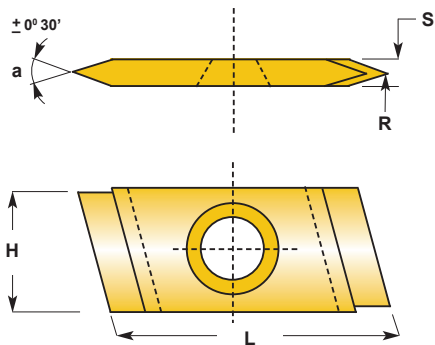
INSERT	W	T	H	S	L
GP - 1.0 RN / LN	1.0	6.0	7.0	2.0	17.0
GP - 1.0 RR / LR	1.0	6.0	7.0	2.0	17.0
GP - 1.0 RL / LL	1.0	6.0	7.0	2.0	17.0
GP - 1.5 RN / LN	1.5	6.0	7.0	2.0	17.0
GP - 1.5 RR / LR	1.5	6.0	7.0	2.0	17.0
GP - 1.5 RL / LL	1.5	6.0	7.0	2.0	17.0
GP - 2.0 RN / LN	2.0	6.0	7.0	2.0	17.0
GP - 2.0 RR / LR	2.0	6.0	7.0	2.0	17.0
GP - 2.0 RL / LL	2.0	6.0	7.0	2.0	17.0



FULL RADIUS GROOVING INSERTS

GRADES
C5PV (P40)
C6PV (P25)
K10 (Uncoated)

INSERT	W	R	T	H	S	L
GR - 1.0 R / L	1.0	0.5	6.0	7.0	2.0	17.0
GR - 1.5 R / L	1.5	0.75	6.0	7.0	2.0	17.0
GR - 2.0 R / L	2.0	1.0	6.0	7.0	2.0	17.0


GRADES

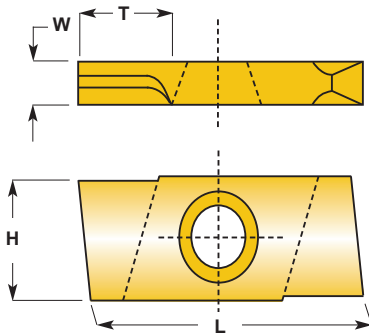
C5PV (P40)

C6PV (P25)

K10 (Uncoated)

THREADING INSERTS

INSERT	a	R	H	S	L
GW - 55 R / L	55°	0.1/0.12	7.0	2.0	17.0
GW - 60 R / L	60°	0.1/0.12	7.0	2.0	17.0



GRADES

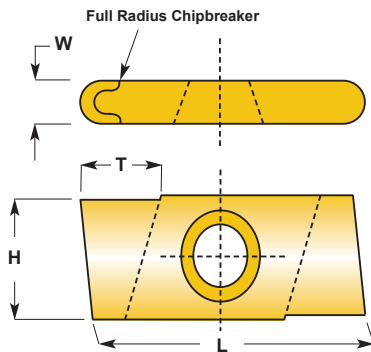
C5PV (P40)

C6PV (P25)

K10 (Uncoated)

TURNING INSERTS

INSERT	W	T	H	L
ST-3-R/L	3.17	6.0	7.0	17.0



GRADES

C5PV (P40)

C6PV (P25)

K10 (Uncoated)

TRACING INSERTS

INSERT	W	T	R	H	L
SC - 3 - R/L	3.17	6.0	1.585	7.0	17.0


MINI SYSTEM TOOL HOLDERS

INSERT	A. SQ	L
THE 0808 R/L	8.0	100
THE 1010 R/L	10.0	120
THE 1212 R/L	12.0	120
THE 1616 R/L	16.0	125
THE 2020 R/L	20.0	125
THE 2525 R/L	25.0	125

SPARES

NIKCOLE TORX SCREW

NIKCOLE TORX KEY



HOLDERS FOR SWISS AUTOMATICS

SPARES
NIKCOLE TORX SCREW
NIKCOLE TORX KEY

INSERT	A. SQ	L
THS 0808 R / L	8.0	140
THS 1010 R / L	10.0	150