

**BI-POLAR<sup>®</sup>ICE**

# Owner's Manual



**For use with BPi200 Models**



For safety and to ensure proper use, carefully read the contents of this manual before operating or installing this product.

R2020.01.23

# Thank you for choosing the Bi-Polar® Ice.

---

Congratulations. You own the most versatile ice machine sanitizer available! Before operating the Bi-Polar® Ice, please read this manual in its entirety. Doing so will provide important safety information and ensure you get the most effectiveness from this product. For additional information please contact us at:

**Mail:** Air Oasis, LLC  
Attn: Customer Service  
3401 Airway Blvd.  
Amarillo, TX 79118

**Web:** [www.airoasis.com](http://www.airoasis.com)  
**E-mail:** [feedback@airoasis.com](mailto:feedback@airoasis.com)  
**Phone:** 1-800-936-1764

## Table of Contents

---

Important Safety Instructions.....	1
Installation Instructions & Maintenance.....	2-3
Ionizer Brush Replacement Instructions.....	4
Circuit Diagrams.....	5-16
Scotsman.....	5-7
Hoshizaki.....	8-9
Ice-O-Matic.....	10-11
Icetro.....	12-14
Manitowoc.....	15-16
Limited Warranty.....	17
Troubleshooting Guide & Product Specs.....	back cover

# Important Safety Instructions


---

When operating any electrical appliance, follow basic safety precautions.

## RISK OF FIRE, ELECTRIC SHOCK, OR INJURY

- Carefully read the entire contents of this manual.
- Do not use outdoors.
- Do not use the unit in areas of extreme heat or in the presence of flammable gas.
- This unit should only be serviced by a licensed professional. The warranty will be void and serious injury could occur if serviced by anyone other than a licensed professional.
- Do not handle the wires or appliance with wet hands.
- Do not use damaged or uninsulated wires. If appliance is not working properly call a customer service representative at 1-800-936-1764.

**WARNING: RISK OF ELECTRICAL SHOCK CAN CAUSE INJURY OR DEATH. DISCONNECT UNIT FROM POWER SUPPLY BEFORE SERVICING.**

 Store and transport -4° F ~ 180° F, humidity 10% ~ 90% (Non-condensing).

 Do not operate unit in ambient temperatures above 150° F.

 **KEEP OUT OF REACH OF CHILDREN**

# Installation Instructions

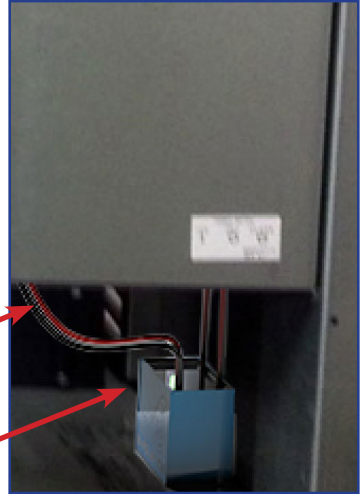
---

1. Connect the red and black wires to the main power supply within the ice machine. Remove the wax paper from the adhesive pad and securely adhere the transformer box to a clean dry surface.

NOTE: Please see page 5 for circuit diagrams of popular ice machine brands and suggested installation.

Red and Black Input Wires

Transformer Box



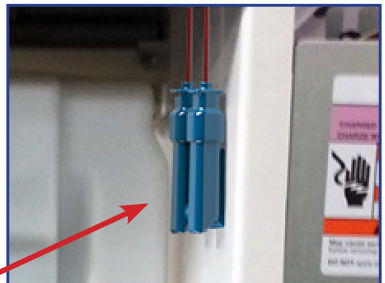
2. First clean and dry the surface where the mounting clip will be attached. Remove backing from the adhesive on the mounting clip and press firmly to attach to the desired surface.

NOTE: For broad coverage, mount as high as possible. Alternately, mount in close proximity to problematic areas. Multiple units can be installed for larger ice machines.




3. Slide the Ionizer Head into the Mounting Clip.

NOTE: If mounting to a side wall, the opening of the Ionizer Head should be facing downward. Avoid installing near a water stream or very wet areas of the ice machine.



Ionizer Head

Attach the Bi-Polar Ice to a clean, flat, and dry surface. Do not twist or knot wires, and attach them far enough from the wall to allow for cleaning around and behind them. The ions have a tendency to flow downward, so mounting the unit higher will provide better coverage from top to bottom. Keeping the brushes relatively dry will improve performance.

 Keep brushes at least 3 inches away from metal objects or high voltage wires for optimal performance.

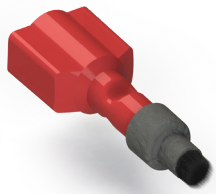
---

## Maintenance

---

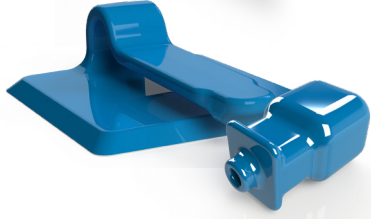
### Brushes

The Bi-Polar<sup>®</sup> Ice was engineered to be low-maintenance. The Ionizer Brushes should be replaced if there is a noticeable decline in performance.



### Brush Cover and Mounting Clip

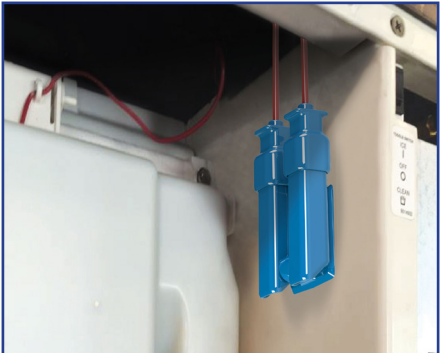
The Mounting Clip and Container Cap will need to be cleaned during ice machine cleaning. To clean them, dip a Q-tip cotton swab or other small cleaning utensil in the cleaning solution of your choice. Then thoroughly wipe down the mounting clip.



---

## Installation Options

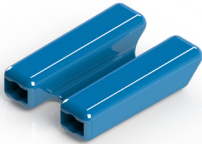
---



# Ionizer Brush Replacement Instructions

---

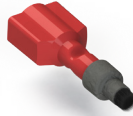
If there is a decline in performance, replacing the Ionizer Brushes should improve results.



Brush Container



Container Cap

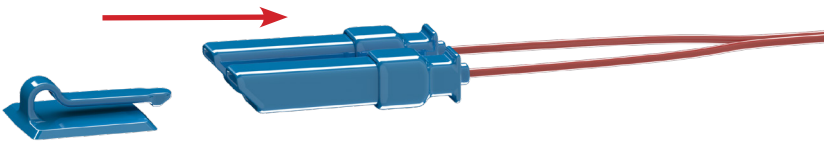


Ionizer Brush

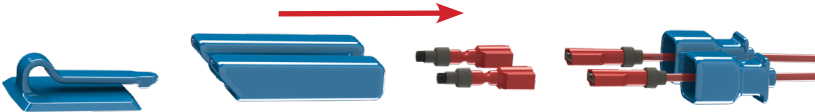


Mounting Clip

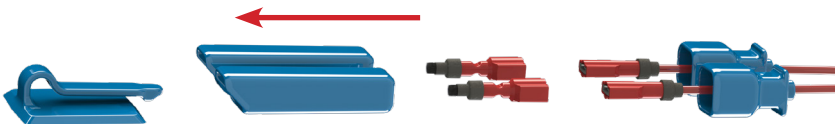
1. Remove the Ionizer Head from the Mounting Clip.



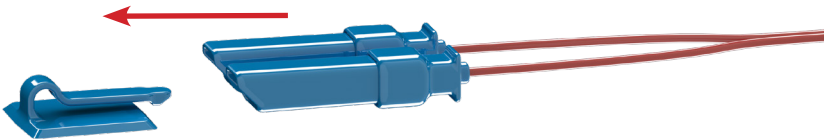
2. Pull back the container caps. Grasping the red connectors (not the wires), disconnect the Ionizer Brushes. Thoroughly clean and sanitize the brush Container Caps and Mounting Clip.



3. Reassemble Ionizer Head with new Ionizer Brushes.



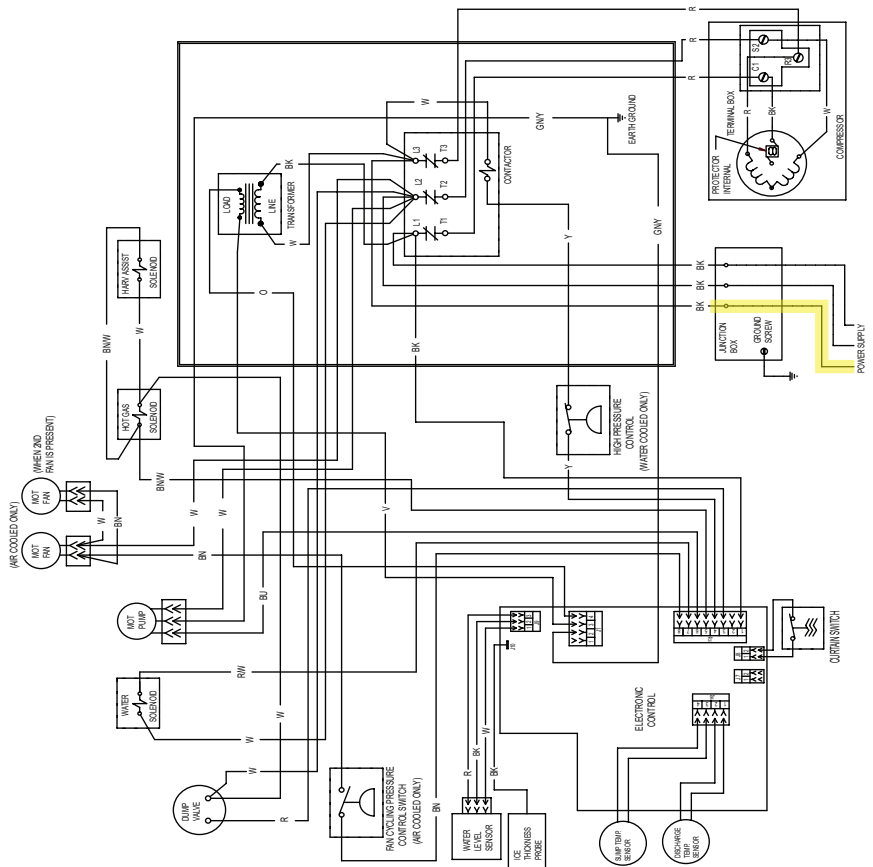
4. Reinsert the Ionizer Head back into the Mounting Clip.





# Scotsman Ice Machines Cont.

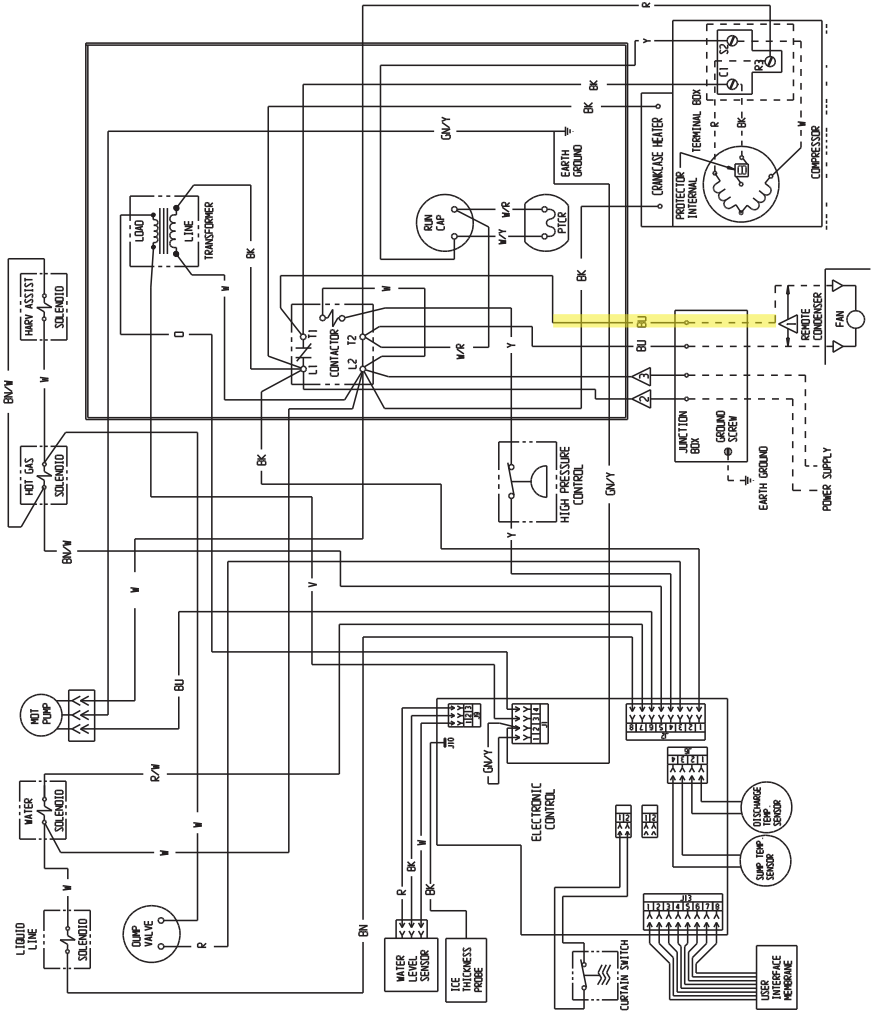
Ice Machine Models: Three Phase Series A, B, D - C0322, C0522, C0722, C0330, C0530, C0630, C0830, C1030, C1448, C1848, C2148





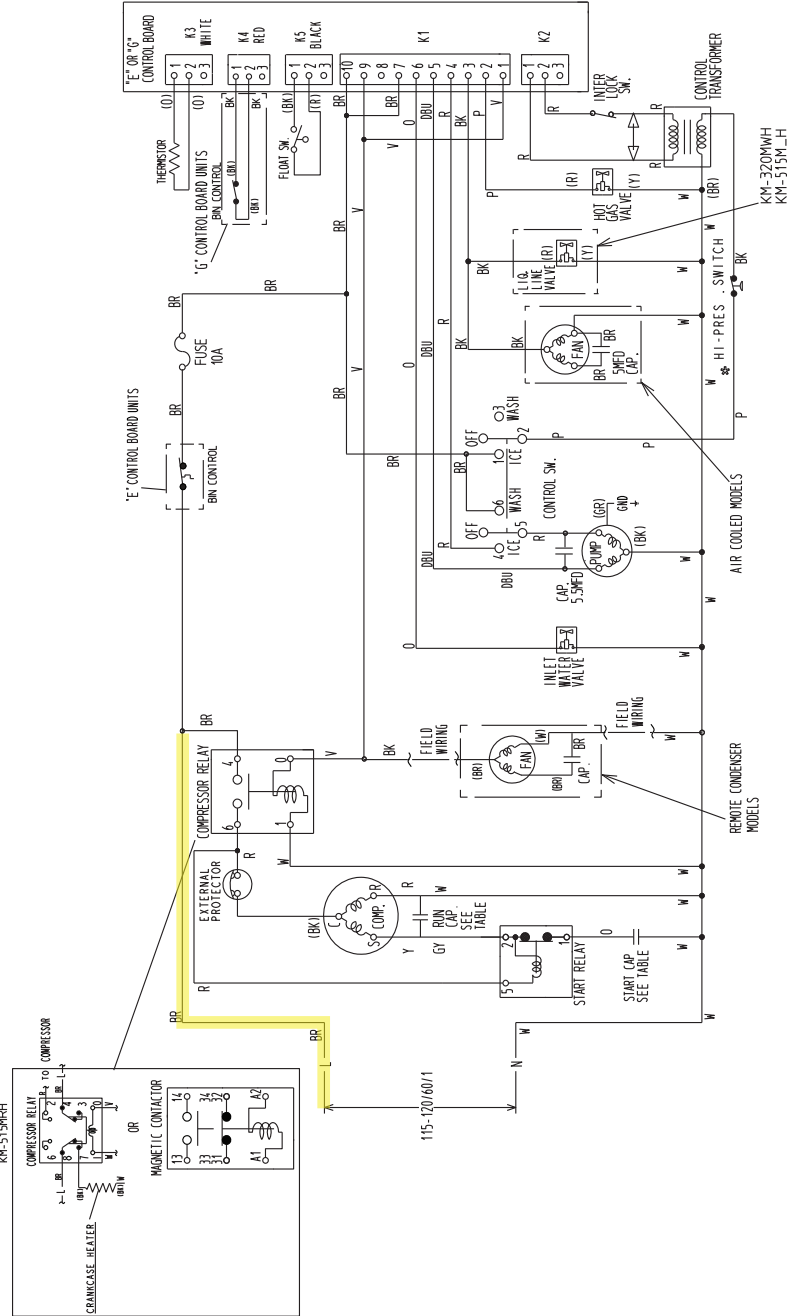
# Scotsman Ice Machines Cont.

Ice Machine Models: Single Phase Series A, B, C, D - C0522R, C0722, C0530R, C0630R, C0830R, C1030R C1448R, C1848R, C2148R



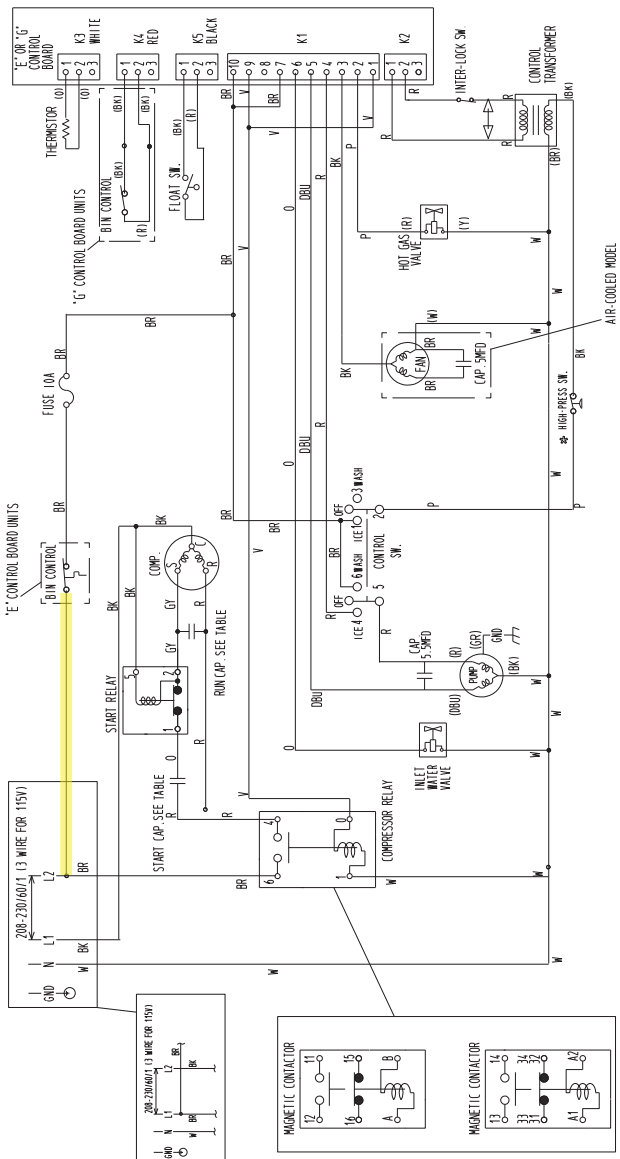
# Hoshizaki Ice Machines

Ice Machine Models: KM-320M\_H, KM- 515M\_H, KM-600\_MAH



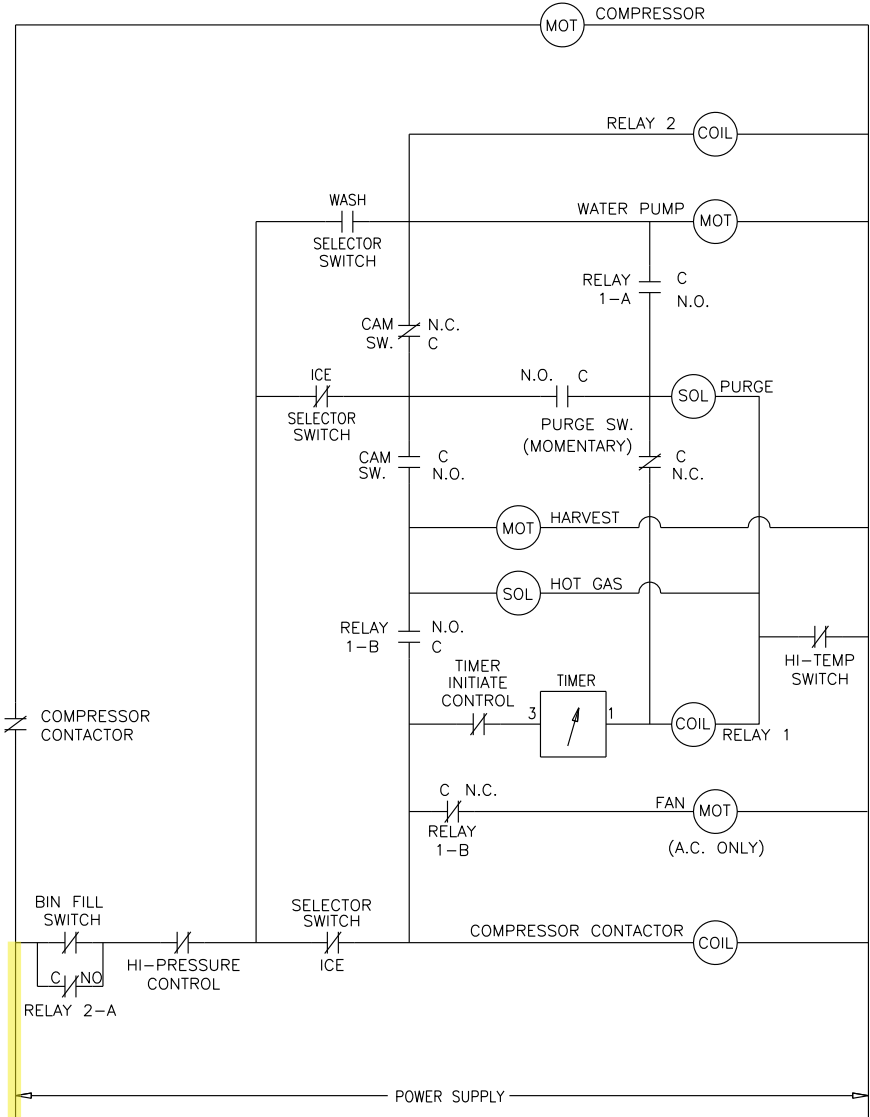
# Hoshizaki Ice Machines

Ice Machine Models: KM-650MAH, KM-650MWH, KM-901MAH, KM-901MWH, KM-901MRH, KM-1340MAH, KM-1340MWH, KA-1340mrh



# Ice-O-Matic Ice Machines

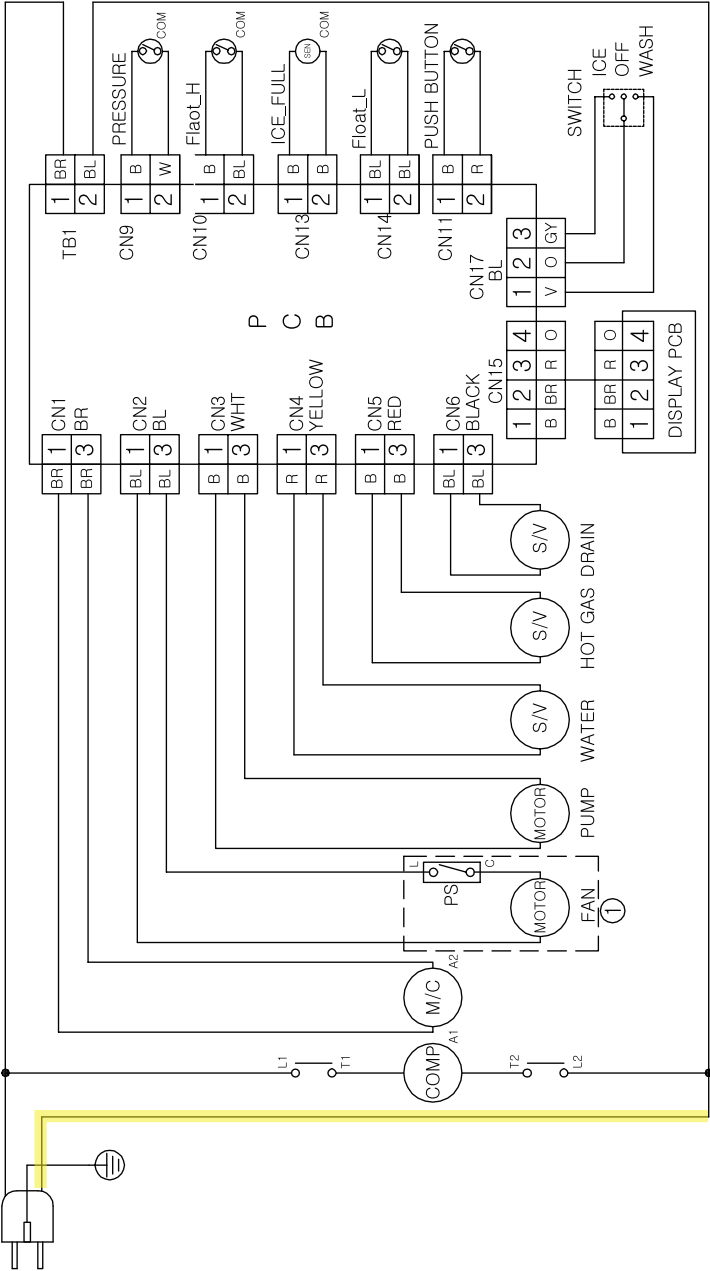
Ice Machine Models: ICEU150/200/205/206/220/225/226;  
 ICE0500/0250/0400/0405/0406/0500/0605/0606/0805/0806/1005/1006/  
 1007/1405/1406/1407/1606/1806/1807/2005/2106/2107





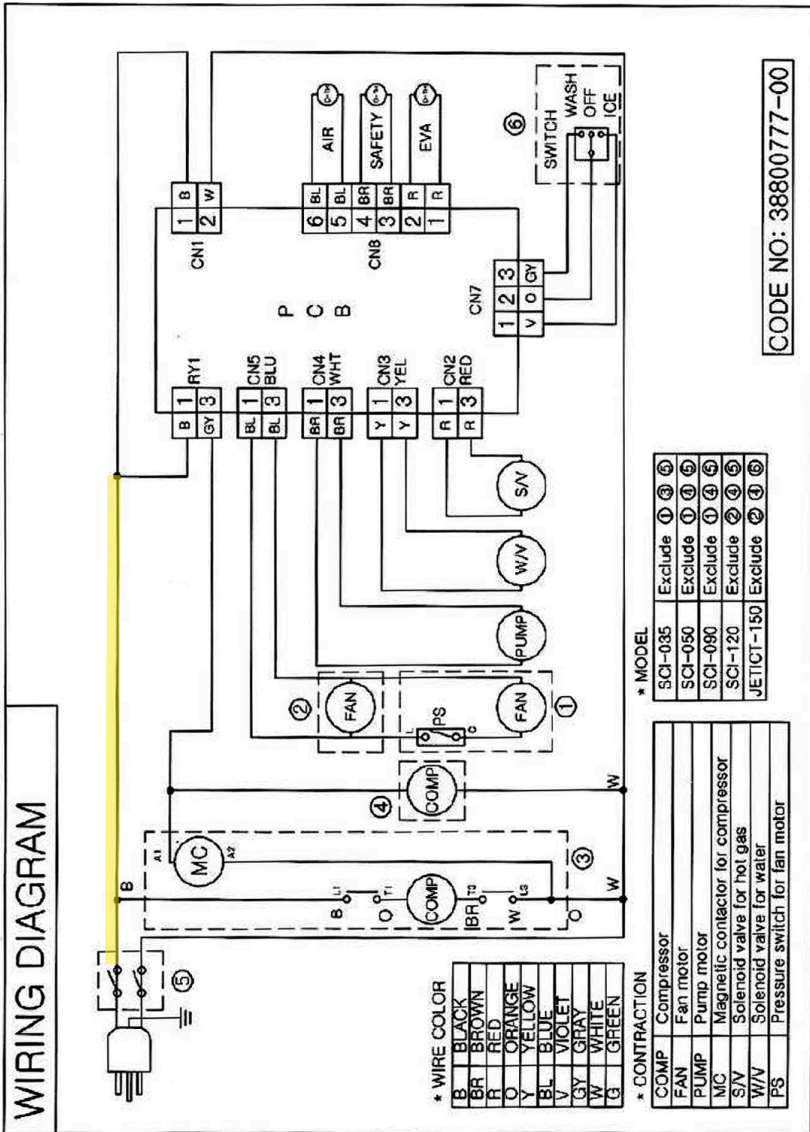
# Icetro Ice Machines

## Ice Machine Models: SCI-200/300



# Icetro Ice Machines Cont.

Ice Machine Models: SCI-035/050/090/120, WC-0070/100/0200/0280-AB, ICS-050V/VH/VHF, WU-0100-ACNF/AC/AHNF/AH,

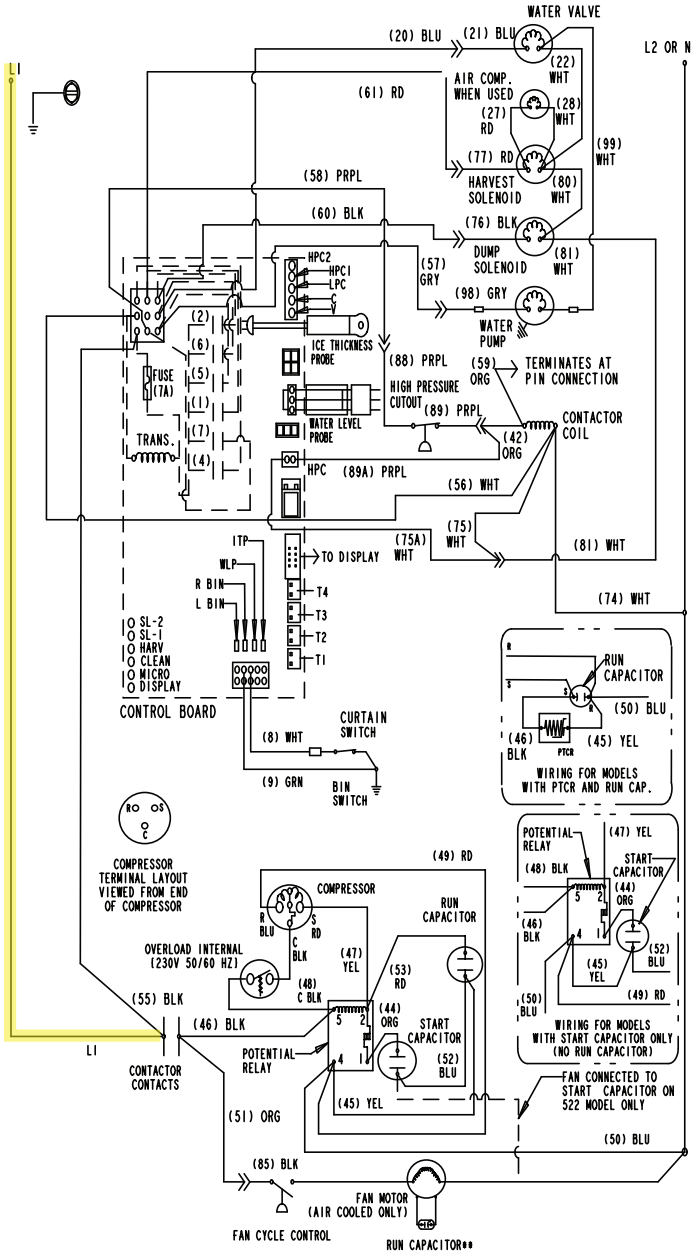






# Manitowoc Ice Machines

Ice Machine Models: 1PH - I0300, I0320, I0450, I0500, I0520, I0600, I0606, I0850, I0906, I1000, I1106, I1200, I1400, I1406, I1800







We proudly manufacture the highest quality products and test each one individually before it leaves our facility. We are pleased to offer the following warranties:

The following products have a 5 year warranty: AO5000PRO, BP2400, BPICE.

If you purchased a product from Air Oasis or an authorized Air Oasis reseller, process warranty and repair requests using the RMA Form at [www.airoasis.com/rma](http://www.airoasis.com/rma).

The Air Oasis warranty has the following requirements:

- Purchases made and received within the USA.
- Non-transferable.
- Product Registration or proof of purchase may be required.
- Excludes filters and parts intended for regular replacement.
- Normal recommended usage, has not been subjected to physical abuse, chemical exposure, water damage, damage caused by acts of God, the use of voltages other than indicated on the label displayed on this product or service of this product by anyone other than Air Oasis or an Air Oasis authorized dealer.
- Filter and AHPCO<sup>®</sup> Cell replacements have occurred as recommended.
- Warrantied products may be replaced with new or refurbished units of the same or similar model.

Air Oasis' liability for damages to you for any costs whatsoever arising out of this statement of warranty shall be limited to the amount paid for this product at the time of original purchase, and Air Oasis shall not be liable for any direct, indirect, consequential or incidental damages arising out of the use or inability to use this product.

**NOTE: An RMA# is required for any warranty service work. All returned packages that do not have an RMA# will be refused.**

## Troubleshooting Guide

Problem/Question	Solution/Answer
What if my Bi-Polar Ice will not turn on? (The indicator light is not illuminated.)	Check to make sure the Bi-Polar Ice is properly installed with the black and red wires securely connected to the power source.
How do I know my Bi-Polar Ice is working?	First check to see that the green indicator light is illuminated. A voltage detector can be placed between the brushes. If voltage is detected, then the unit is working properly.
How do I clean debris from the brush heads?	Using any non-abrasive object, lightly brush the heads to remove debris. Use a soft cloth and soapy water to remove any grease or other possible residue.
For ongoing concerns, you may open a support ticket at <a href="https://airoasis.freshdesk.com/support/tickets/new">https://airoasis.freshdesk.com/support/tickets/new</a> or call 1-800-936-1764.	

## Bi-Polar Ice Specifications

Operational	Ozone Warranty	0 ppm One (1) year limited warranty
Replacements	Ion Brushes	BPi200-RB
Electrical	BPi200-110/220 Usage	110-277 VAC / 80mA - 40mA
Mechanical	BPi200-110/220 Dimensions: Power Box Brush Head Supply Wires Brush Wires Weight of Unit Shipping Weight	3.69" W x 2" H x 1.125" D 1.5" W x .625" H x 3.125" D 24" 36" 0.6 lbs <1 lbs

