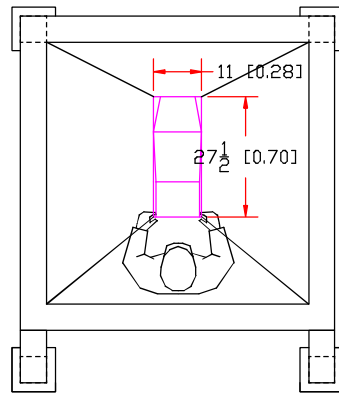


REV. A	JEM INTERNATIONAL, INC.		
REV. B	6873 MARTINDALE RD. SHAWNEE, KANSAS 66218 (913) 441-4788		
REV. C	NAME NW1-S-GV-S-B EAGLE NET WEIGH SCALE, SURGE HOPPER W/ HIGH LOW LEVEL SENSORS		
REV. D			
REV. E	FOR		
REV. F	TOLERANCE	MATERIAL	SCALE D.N.S.
REV. G	DRAWING NUMBER 412 NW1-GV_HOP	DRAWN BY COUGHLIN	DATE 03-23-15



NW1-GV EAGLE
GRAVITY / VIBE
NET WEIGH SCALE

