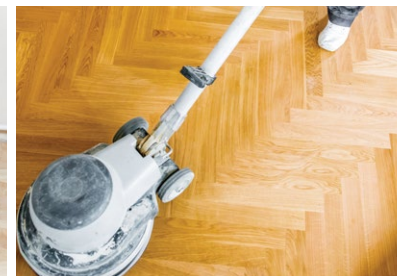




Whiteriver

wood for living



FLOOR FINISHING / ACCESSORIES **2019**



Liam Boylan
087 0671000
Liam.Boylan@wrg.ie



Barry Flanagan
041 686 1000
Barry.Flanagan@wrg.ie



Brian Carter
041 686 1000
Brian.Carter@wrg.ie

OPENING HOURS

MONDAY-THURSDAY

8.30am - 5.30pm

FRIDAY

8.30am - 4.30pm

Closed for lunch each day from
1.10pm-2pm.

Tel: 041 686 1000

Email: sales@wrg.ie

Web: www.wrg.ie

Welcome

We would like to welcome you to our new trade catalogue for 2019 and we hope you find the format easy to use and follow. In the last year we have pushed on to increase our offering and improve our product presentation. As a result of this we have launched new partnerships with Vermeister and Sherwin Williams and strengthened our existing partnerships with Junckers and Lagler, which will help us offer our customers solutions for all their flooring requirements. We would like to thank you for your support and custom over the last year and we look forward to working with you again in the year ahead.

Orders & Deliveries

Deliveries normally take 1-2 working days from date of order.

If you need an urgent delivery, contact our office and we will try our best to accomodate you within reason.

Collections must be made at least 30 minutes prior to closing.

Via Roadfreight

1m pallet

Delivery premises must be attended at all times with facilities to unload pallets. Penalties will apply for additional unloading time.

Fastway Courier Charges

Per Carton / Box

*Delivery premises must be attended at all times.
Signature required on delivery.*



FINISHES

| | |
|------------------|----|
| Junckers | 04 |
| Vermeister | 14 |
| Sherwin Williams | 19 |

COLOUR OILS / STAINS

| | |
|------------------|----|
| Junckers | 20 |
| Vermeister | 22 |
| Sherwin Williams | 24 |

PREPARATION & MAINTENANCE

| | |
|---------------------|----|
| Adhesives & Sealers | 25 |
| Woca | 26 |
| Floor Maintenance | 28 |

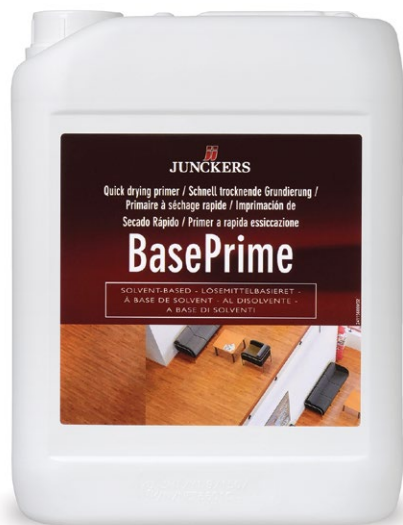
TOOLS & ABRASIVES

| | |
|---------------------|----|
| Tools & Accessories | 30 |
| Sait Abrasives | 34 |

LÄGLER

| | |
|--------------------|----|
| Machines | 38 |
| Accessories | 42 |
| Hummel Spare Parts | 44 |
| Flip Spare Parts | 60 |
| Trio Spare Parts | 72 |

JUNCKERS



BASEPRIME

Single component solvent primer

Baseprime is an oil-based very fast curing primer for wooden floors where waterbased primers cannot be use due to poor adhesion, for example exotic and oily timbers. Baseprime gives the floor more depth of colour when used on oaks and walnut. The product should only be used directly on to bare wood and requires subsequent protective coats of water or solvent based finish to achieve final result.

- Extremely fast drying, ready to overcoat within the hour
- Ideal for use on exotic and oily timbers
- Achieves nice depth of colour when used on Oak or Walnut
- Overcoat with water or solvent based finish

5Lt

TECHNICAL DATA - (based on 20°C & 60% RH)

| | |
|---|--------------------------|
| Dry for sanding (hours) | N / A |
| Overcoating without sanding (hours) | Approx. 30 mins |
| Application method | Short pile roller, brush |
| Packaging size (Litre) | 5 |
| Stability & storage in original, unopened containers stored in a cool, dry place (months) | 24 |
| Average coverage per coat (m ² / Ltr) | 10 |

| Code | Product |
|----------|---------------------|
| F2011012 | Baseprime - 5 Litre |

JUNCKERS



PRELAK

Single component water-based primer

Junckers PreLak is a fast drying, water-based primer for use on untreated or machine sanded wooden floors in commercial, residential or sports areas. Using prelak minimises the risk of side-bonding between the individual floor boards. Protective coats with one of Junckers water-based floor lacquers have to be applied after priming. PreLak has received the Danish Indoor Climate Labelling. These tests ensure that there are no chemical substances in the product which adversely affect the air quality in the room.

- Fast drying Primer, easy to sand
- Suitable for commercial and sports floor use
- Minimises side bonding between boards
- Can be used with 1 and 2 component Junckers water-based finishes

5Lt

TECHNICAL DATA - (based on 20°C & 60% RH)

| | |
|---|-------------------|
| Dry for sanding (hours) | 1 - 2 |
| Overcoating without sanding (hours) | N / A |
| Application method | Short pile roller |
| Packaging size (Litre) | 5 |
| Stability & storage in original, unopened containers stored in a cool, dry place (months) | 12 |
| Average coverage per coat (m ² / Ltr) | 8 - 10 |

| Code | Product |
|----------|------------------|
| F2011011 | Prelak - 5 Litre |

JUNCKERS



STRONG

Single component water-based finish

Junckers STRONG is a single component water-based, 100% polyurethane, hard-wearing lacquer for wooden floors. It is mild during application and leaves a low odour. Offers the ease of use of a one-component product with excellent levelling and flow characteristics. It can be used on both previously sealed as well as untreated floors. STRONG is also suitable for lacquering all kinds of indoor woodwork.

- Excellent level and flow characteristics
- Low odour
- Can be applied on new or sanded old floors
- Suitable for use on all kinds of indoor woodwork
- Apply max. 2 coats per day

5Lt

TECHNICAL DATA - (based on 20°C & 60% RH)

| | |
|---|--------------------------|
| Dry for sanding (hours) | 4 |
| Overcoating without sanding (hours) | 4 |
| Light traffic (hours) | 8 / 16 |
| Fully cured (days) | 3 |
| Gloss level | 20 / 50 |
| Application method | Short Pile Roller, brush |
| Packaging size (Litre) | 5 |
| Stability & storage in original, unopened containers stored in a cool, dry place (months) | 12 |
| Average coverage per coat (m ² / Ltr) | 10 |

| Code | Product |
|----------|-----------------------------------|
| F2011001 | Strong - Matt (20) - 5 Litre |
| F2011002 | Strong - Silk Matt (50) - 5 Litre |

JUNCKERS



STRONG PREMIUM

Single component water-based finish

Strong Premium is a single component water-based, 100% polyurethane lacquer for high traffic wooden floors in both commercial and domestic areas. It is non yellowing, low odour and the toughest single component floor lacquer on the market. Suitable for previously sealed as well as on new or fully sanded floors.

- Suitable for high traffic commercial and domestic areas
- Non yellowing, low odour
- Excellent clarity on all types of wood
- Apply max. 2 coats per day

5Lt

TECHNICAL DATA - (based on 20°C & 60% RH)

| | |
|---|--------------------------|
| Dry for sanding (hours) | 3 |
| Overcoating without sanding (hours) | 3 |
| Light traffic (hours) | 8 |
| Fully cured (days) | 3 |
| Gloss level | 50 |
| Application method | Short Pile Roller, brush |
| Packaging size (Litre) | 5 |
| Stability & storage in original, unopened containers stored in a cool, dry place (months) | 12 |
| Average coverage per coat (m ² / Ltr) | 10 - 12 |

| Code | Product |
|----------|---|
| F2011067 | Strong Premium - Silk Matt (50) - 5 Litre |

JUNCKERS



HP SPORT

Two component water-based finish

HP Sport is a premium quality two-component water-based 100% polyurethane lacquer for very high traffic sports floors. HP Sport is non-yellowing, extremely durable and scuff resistant, and very fast curing, so the floor is ready for use the next day. HP Sport complies with the friction requirements of EN 14904 for multi-purpose sports floors. Junckers HP Sport lacquer must be mixed with Junckers HP Sport Hardener before use.

- Suitable for high traffic sports floors
- Extremely durable
- Scuff resistant
- Very fast curing
- Apply max. 2 coats per day

**4.5Lt +
0.45Lt**

TECHNICAL DATA - (based on 20°C & 60% RH)

| | |
|---|--------------------------|
| Dry for sanding (hours) | 3 |
| Overcoating without sanding (hours) | 3 |
| Light traffic (hours) | 8 |
| Fully cured (days) | 3 |
| Gloss level | 50 |
| Application method | Short Pile Roller, brush |
| Packaging size (Litre) | 4.5 + 0.45 |
| Stability & storage in original, unopened containers stored in a cool, dry place (months) | 12 |
| Average coverage per coat (m ² / Ltr) | 10 - 12 |

| Code | Product |
|----------|---|
| F2011005 | HP Sport - Silk Matt (50) - 4.95 Litrew |

JUNCKERS



HP COMMERCIAL

Two component water-based finish

Junckers HP Commercial is a very hard wearing, low odour, water-based, 100% pure polyurethane lacquer for pre-finished or untreated, newly installed or machine sanded wooden floors in commercial areas. HP Commercial is the fastest curing seal on the market. The quality is excellent and is suitable for all kinds of floors with a high degree of wear.

- Suitable for high traffic commercial areas
- Extremely durable
- Ease of application
- Very fast curing
- Apply max. 2 coats per day

**4.5Lt +
0.45Lt**

TECHNICAL DATA - (based on 20°C & 60% RH)

| | |
|---|--------------------------|
| Dry for sanding (hours) | 3 |
| Overcoating without sanding (hours) | 3 |
| Light traffic (hours) | 8 |
| Fully cured (days) | 3 |
| Gloss level | 10, 20 |
| Application method | Short Pile Roller, brush |
| Packaging size (Litre) | 4.5 + 0.45 |
| Stability & storage in original, unopened containers stored in a cool, dry place (months) | 12 |
| Average coverage per coat (m ² / Ltr) | 10 - 12 |

| Code | Product |
|----------|---|
| F2011057 | HP Commercial - Matt (20) - 4.95 Litre |
| F2011006 | HP Commercial - Ultramatt (10) - 4.95 Litre |

JUNCKERS



HP FRICTION+

Two component water-based finish

Junckers HP Friction+ is a slip resistant two component non yellowing water-based 100% polyurethane lacquer, based upon the HP Commercial range. It's fast curing and ideal for use in high traffic areas where slip resistance is important, eg restaurants and bars. It must be used as the final coat only. Tested to BS5796-2 and has a low potential for slip under wet conditions. The product is not recommended for sport purposes with player contact, without use of mats.

- Slip resistant
- Suitable for high traffic commercial areas
- Extremely durable
- Tested to BS7976-2:2002
- Very fast curing

**4.5Lt +
0.45Lt**

TECHNICAL DATA - (based on 20°C & 60% RH)

| | |
|---|--------------------------|
| Drying time (hours) | 3 |
| Light traffic (hours) | 8 |
| Fully cured (days) | 3 |
| Gloss level | 10 |
| Application method | Short Pile Roller, brush |
| Packaging size (Litre) | 4.5 + 0.45 |
| Stability & storage in original, unopened containers stored in a cool, dry place (months) | 12 |
| Average coverage per coat (m ² / Ltr) | 10 - 12 |

| Code | Product |
|----------|---|
| F2011007 | HP Friction+ - Ultra Matt (10) - 4.95 Litre |

JUNCKERS



HP SPORTSLINE

Water-based 2 component line marking paint

Water-based 2 component paint for marking of court lines and colouring of other areas on wooden floors in gymnasiums and sports halls. Recommended on floors previously sealed with Junckers HP Sport and Junckers pre-finished lacquered floors. Junckers HP Sportsline has received the Danish Indoor Climate labelling. This ensures that there are no chemical substances in the product which adversely affect the air quality in the room.

- Complies with EN14904 for multi-purpose sports halls
- Fully cured in 3 days
- Colours are suitable for mixing

**2Lt +
0.2Lt**



TECHNICAL DATA - (based on 20°C & 60% RH)

| | |
|---|---------------------------|
| Light traffic (hours) | 8 |
| Overcoating without sanding (hours) | 16 - 24 |
| Fully cured (days) | 3 |
| Application method | Roller, brush, applicator |
| Packaging size (Litre) | 2 + 0.2 |
| Stability & storage in original, unopened containers stored in a cool, dry place (months) | 12 |
| Average coverage per coat (m ² / Ltr) | 6 - 8 |

| Code | Product |
|----------|------------------------------------|
| F2011021 | HP Sportsline - White - 2.2 Litre |
| F2011024 | HP Sportsline - Yellow - 2.2 Litre |
| F2011035 | HP Sportsline - Red - 2.2 Litre |
| F2011023 | HP Sportsline - Green - 2.2 Litre |
| F2011022 | HP Sportsline - Blue - 2.2 Litre |
| F2011020 | HP Sportsline - Black - 2.2 Litre |

JUNCKERS



PROFESSIONAL 625

Two component solvent-based finish

Junckers Professional 625 is a solvent-based, quick drying, very high chemical resistant, two component, hard wearing lacquer. For professional use on wooden floors in high traffic commercial and residential areas. Compared with similar products, Professional 625 contains solvents with milder odour and solvency power.

- Suitable for high traffic commercial and domestic areas
- Provides deep coloured lacquered finish
- Fast drying, fast curing
- Can be applied on new or sanded old floors
- No primer required

**4.8Lt +
0.2Lt**

TECHNICAL DATA - (based on 20°C & 60% RH)

| | |
|---|--------------------------|
| Dry for sanding (hours) | 3 |
| Overcoating without sanding (hours) | 1.5 |
| Light traffic (hours) | 24 |
| Fully cured (days) | 3 |
| Gloss level | 50 |
| Application method | Short Pile Roller, brush |
| Packaging size (Litre) | 4.8 + 0.2 |
| Stability & storage in original, unopened containers stored in a cool, dry place (months) | 24 |
| Average coverage per coat (m ² / Ltr) | 10 |

| Code | Product |
|----------|---|
| F2011008 | Professional 625 - Silk Matt (50) - 5 Litre |

JUNCKERS



BASEFILL

Solvent based filler

Junckers Basefill is a quick-drying fillerbase, which, in combination with Junckers solvent-based or water-based lacquers, is suitable for sanded and untreated wooden floors. Junckers Basefill is to be mixed with sanding dust from the floor sanding process and should be used only as a filler-base.

- Fast drying filler
- Can be used on floors including exotic woods
- Can fill gaps up to 2mm
- Used in combination with Junckers solvent or water-based lacquers

5Lt

TECHNICAL DATA - (based on 20°C & 60% RH)

| | |
|---|-------------------------|
| Drying time (minutes) | 15 |
| Gloss level | N / A |
| Application method | Stainless steel Spatula |
| Packaging size (Litre) | 5 |
| Stability & storage in original, unopened containers stored in a cool, dry place (months) | 24 |
| Average coverage per coat (m ² / Ltr) | 10 |

| Code | Product |
|----------|--------------------|
| F2011009 | Basefill - 5 Litre |

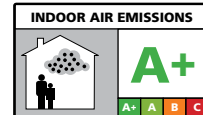
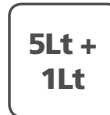


AQUA TENAX

Two component water-based primer

Two component water-based sealer featuring a high level insulating capacity, excellent build, good sandability and ease of application. The most important feature of this primer is that it minimizes problems of overlapping. AQUA TENAX has been formulated to give a pleasant shade to the wood without causing unwanted changes to the colour. Thanks to its high level of dry residue, AQUA TENAX can be used in combination with two component water-based finishes in the Vermeister range to carry out a two-coat finishing cycle.

- Excellent Build, Good Sandability
- Minimises overlapping issues
- Ease of application
- 2 Coat finishing cycle when used with 2 component finish



TECHNICAL DATA - (based on 20°C & 60% RH)

| | |
|---|-------------------|
| Dry for sanding (hours) | 12 |
| Overcoating without sanding (hours) | After 3, within 6 |
| Calculated VOC (g/Litre) | 85 |
| Application method | roller, brush |
| Packaging size (Litre) | 5+1 |
| Stability & storage in original, unopened containers stored in a cool, dry place (months) | 12 |
| Average coverage per coat (m ² / Ltr) | 10 - 12 |

| Code | Product |
|----------|----------------------|
| F2013005 | Aqua Tenax - 6 Litre |

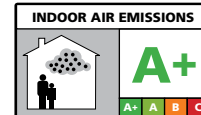


ONE

Single component water-based primer

ONE is the latest generation of single component sandable water-based primer. One guarantees appreciable high build power on any type of wood comparable with that of a two-component sealer. The high “open time” and the fast hardening time mean that, whatever the environmental conditions, ONE has a minimum tendency to leave lap marks and/or roller marks.

- Fast and perfect sandability in 1 hour
- No Lap marks or roller marks
- Exceptional high build
- Odour free and low emission level
- Suitable for 2 coat cycles



TECHNICAL DATA - (based on 20°C & 60% RH)

| | |
|---|---------------|
| Dry for sanding (hours) | 1 |
| Overcoating without sanding (hours) | N / A |
| Calculated VOC (g / Ltr) | 50 |
| Application method | roller, brush |
| Packaging size (Litre) | 5 |
| Stability & storage in original, unopened containers stored in a cool, dry place (months) | 12 |
| Average coverage per coat (m ² / Ltr) | 10 - 12 |

| Code | Product |
|----------|---------------|
| F2013012 | ONE - 5 Litre |

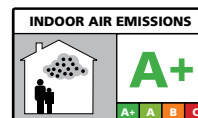


AQUA PLAY 1

Single component water-based finish

Single component water-based finish featuring considerable ease of application and an excellent flow resulting in floors with an impeccable appearance. Thanks to the S-XL technology, **AQUA PLAY 1** has a good resistance to abrasion, scratching, scuff marks as well as a chemical resistance equal to two component systems. If it is also used as a sealer, it confers a particularly warm tone to the wood.

- Ease of Application
- Good Mechanical & Chemical Resistance
- Toning Effect if Applied on Wood
- Range of gloss levels



TECHNICAL DATA - (based on 20°C & 60% RH)

| | |
|---|-------------------|
| Dust dry (minutes) | 20 |
| Dry for sanding (hours) | 4 |
| Overcoating without sanding (hours) | After 1, within 3 |
| Light traffic (hours) | 8 / 16 |
| Fully cured (days) | 7 |
| Gloss level | 60 / 90 |
| Application method | Roller, brush |
| Packaging size (Litre) | 5 |
| Stability & storage in original, unopened containers stored in a cool, dry place (months) | 12 |
| Average coverage per coat (m ² / Ltr) | 8 - 10 |

| Code | Product |
|----------|--|
| F2013001 | Aqua Play 1 - Silk Matt (60) - 5 Litre |
| F2013002 | Aqua Play 1 - Gloss (90) - 5 Litre |

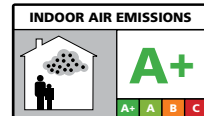


EZY

Two component water-based finish

Polyurethane water-based finish. EZY can cross-link both as a single component product and, after the addition of its hardener, as a two-component product. Ezy is outstanding for its speed of drying as a single component product (ideal for extremely fast cycles). It features high resistance to abrasion, rubber marks and chemical products. EZY is also outstanding for the ease with which the 2 components are mixed simply by adding component B to the container of component A and stirring without any particular mixing procedures.

- For use as single or two component
- Ideal for fast cycles (single component)
- High resistance to abrasion
- Ease of mixing



TECHNICAL DATA - (based on 20°C & 60% RH)

| | |
|---|-------------------|
| Dry for sanding single component (hours) | 3 / 5 |
| Dry for sanding two component A+B (hours) | 12 / 16 |
| Overcoating without sanding A+B (hours) | After 2, within 5 |
| Light traffic (hours) | 24 / 36 |
| Fully cured (days) | 7 |
| Gloss level | 30, 60 |
| Application method | roller, brush |
| Packaging size (Litre) | 5 + 0.25 |
| Stability & storage in original, unopened containers stored in a cool, dry place (months) | 12 |
| Average coverage per coat (m ² / Ltr) | 9 - 12 |

| Code | Product |
|----------|-----------------------------------|
| F2013003 | EZY - Matt (30) - 5.25 Litre |
| F2013004 | EZY - Silk Matt (60) - 5.25 Litre |



UP-GRADE

Shader for water-based finishes

Vermeister Up-Grade is a special pre-dosed shader that can be added to water-based products, sealer or top coat, single or two component, to lighten or darken the original colour of the wood. Each coat increases the toning effect and it is advisable to carry out a preliminary test to verify the final look.



- Enhance the naturalness of the wood
- Neutralize yellowing and eliminate undesired changes of colour
- Regulate the intensity according to the number of coats applied
- Versatile and suitable for all water-based products
- Easy to use
- Low environmental impact

0.05Lt

NMP Free
ECO FRIENDLY

SOLVENT Free
ECO FRIENDLY

TECHNICAL DATA - (based on 20°C & 60% RH)

| | |
|---|------|
| Packaging size (Litre) | 0.05 |
| Stability & storage in original, unopened containers stored in a cool, dry place (months) | 12 |
| Quantity per can of sealer or finish (g) - 1 bottle per 5 litre unit | 50 |



White



Grey



Black



Amber

| Code | Product |
|----------|-------------------------------|
| F2013006 | Up-Grade - White - 0.05 Litre |
| F2013007 | Up-Grade - Grey - 0.05 Litre |
| F2013008 | Up-Grade - Black - 0.05 Litre |
| F2013009 | Up-Grade - Amber - 0.05 Litre |



SHERWIN-WILLIAMS



DM1200 A/C LACQUER

Two component solvent-based finish

Sherwin Williams A/C Parquet flooring lacquer is a two component, acid catalysing, flooring lacquer producing a tough finish with a high level of resistance to most household liquids. This is a hydrocarbon free flooring coating product. It may be used as a floor coating for internal hardwood or softwood floors in domestic or light commercial use, recoatable from 1 hour onwards under normal drying conditions.

- Suitable for domestic and light commercial use
- Extremely durable
- Ease of application
- Very fast curing
- High liquid resistance
- Not suitable for use on sport floors

**5Lt +
0.2Lt**

TECHNICAL DATA - (based on 20°C & 60% RH)

| | |
|---|------------------------------|
| Dry for sanding (hours) | 1 |
| Overcoating without sanding (hours) | N / A |
| Light traffic (hours) | 8 |
| Fully cured (days) | 3 |
| Gloss level | 40, 90 |
| Application method | Brush, Lambs wool applicator |
| Packaging size (Litre) | 5 + 0.2 |
| Stability & storage in original, unopened containers stored in a cool, dry place (months) | 60 |
| Average coverage per coat (m ² / Ltr) | 8 - 12 |

| Code | Product |
|----------|--|
| F2014001 | DM1200 AC Lacquer - Satin (40) - 5.2 Litre |
| F2014002 | DM1200 AC Lacquer - Gloss (90) - 5.2 Litre |



RUSTIC OIL COLOUR

Penetrating urethane oil

Rustic Oil Colour is an indoor priming and finishing oil product for untreated wooden floors and worktops. Rustic oils are easy to work with, produce a beautiful result and make the floor suitable for high-wear. The coloured oil is slightly transparent and enhances the natural grain of the wood. If you like the appearance of the oil, but want the advantages of a lacquered surface too, then you can combine Rustic Oil Colour with one of Junckers water-based lacquers.

- Easy to use, odour free
- Extensive range of colours
- Fully curing
- Suitable for overcoating with water-based finishes

* Always test prior to use as colour may vary depending on wood species.



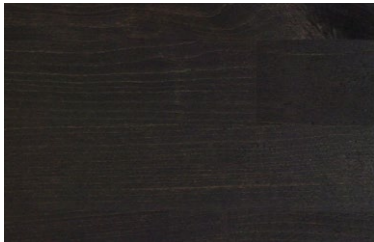
TECHNICAL DATA - (based on 20°C & 60% RH)

| | |
|---|----------------------------------|
| Overcoating without sanding (hours) | 16 - 24 |
| Ready for use (hours) | 24 |
| Fully cured (days) | 3 |
| Application method | roller, brush, cloth, applicator |
| Packaging size (Litre) | 2.5 |
| Stability & storage in original, unopened containers stored in a cool, dry place (months) | 24 |
| Average coverage per coat (m ² / Litre) | 10 - 50 |

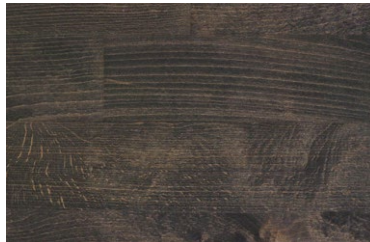
| Code | Product |
|----------|----------------------------|
| F2011016 | Black - 2.5 Litre |
| F2011063 | Anthracit Grey - 2.5 Litre |
| F2011041 | Wildhazel - 2.5 Litre |
| F2011040 | Dark Coco - 2.5 Litre |
| F2011019 | Smooth Rum - 2.5 Litre |
| F2011018 | Mahogany - 2.5 Litre |

| Code | Product |
|----------|----------------------------|
| F2011017 | Cherry - 2.5 Litre |
| F2011015 | Nut - 2.5 Litre |
| F2011033 | Walnut - 2.5 Litre |
| F2011039 | Raw Sugar * 2.5 Litre |
| F2011065 | Driftwood Grey - 2.5 Litre |
| F2011034 | White - 2.5 Litre |

Range of colours available



Black



Anthracit Grey



Wildhazel



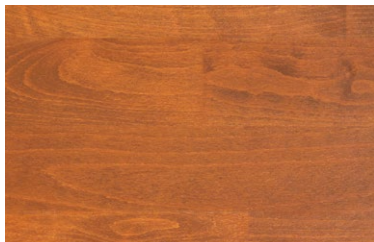
Dark Coco



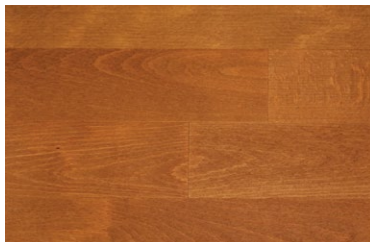
Smooth Rum



Mahogany



Cherry



Nut



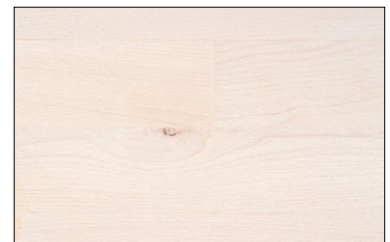
Walnut



Raw Sugar



Driftwood Grey



White



COLOR.OIL

Wood grain highlighting effect - Oil wood stain

Stain based on modified vegetable oils designed to colour indoor wood floors. Easy to use, it stains wood floors evenly. Suitable for all types of wood, although it produces the best results and is recommended for this use on large grain woods such as oak, larch, chestnut, etc. Color.Oil can be overcoated with water-based finishes or oil modified finishes. Available in various shades that can be blended together in any proportion, making the range of colours practically limitless.

- Easy to use
- Available in various shades that can be blended together
- Possibility of invisible touch ups
- Low odour
- Suitable for overcoating with water-based finishes

* Always test prior to use as colour may vary depending on wood species.



TECHNICAL DATA - (based on 20°C & 60% RH)

| | |
|---|--------------------|
| Interval for polishing (mins) | 5 - 10 |
| Overcoating without sanding (hours) | Min. 16 |
| Gloss Level | N / A |
| Application method | roller, brush, pad |
| Packaging size (Litre) | 1 |
| Stability & storage in original, unopened containers stored in a cool, dry place (months) | 12 |
| Average coverage per coat (m ² / Litre) | 20 - 35 |

| Code | Product |
|----------|--------------------------|
| F2013014 | Wenge - 1 Litre |
| F2013021 | Antique Walnut - 1 Litre |
| F2013020 | Stone - 1 Litre |
| F2013015 | Light Walnut - 1 Litre |
| F2013022 | Chestnut - 1 Litre |
| F2013013 | Smokey - 1 Litre |

| Code | Product |
|----------|------------------------|
| F2013023 | Antiqua - 1 Litre |
| F2013018 | Platinum - 1 Litre |
| F2013019 | Grey Dolphin - 1 Litre |
| F2013016 | Supernatural - 1 Litre |
| F2013017 | Grey - 1 Litre |
| F2013024 | White - 1 Litre |

RANGE OF
COLOURS
AVAILABLE



Wenge



Antique Walnut



Stone



Light Walnut



Chestnut



Smokey



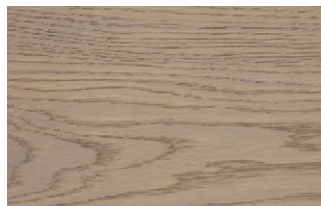
Antiqua



Platinum



Grey Dolphin



Supernatural



Grey



White



SHERWIN-WILLIAMS



NS1163 GROUND STAIN

Single component solvent-based stain

Sherwin Williams Solvent Stain bases are suitable for every possible application process to accentuate the natural beauty of wood and provide grain definition. Compatible with most water and solvent-based finishes. Stains are non-grain raising and resistant to colour fading.

- Easy to use with minimal overlaps
- Very fast drying time
- Available in various shades
- Can be thinned if necessary
- Suitable for overcoating with water-based finishes

*** Always test prior to use as colour may vary depending on wood species.**



TECHNICAL DATA - (based on 20°C & 60% RH)

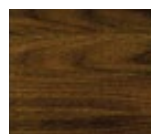
| | |
|---|-----------------------------|
| Drying time forced (mins) | 5 - 10 |
| Drying time air dried (mins) | 20 - 30 |
| Overcoat with lacquer (mins) | Varies depending on product |
| Application method | rag / cloth |
| Packaging size (Litre) | 5 |
| Stability & storage in original, unopened containers stored in a cool, dry place (months) | 60 |
| Average coverage per coat (m ² / Litre) | 10 - 50 |



Medium Oak



Brown Mahogany



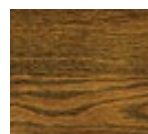
Walnut



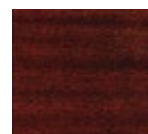
Antique Pine



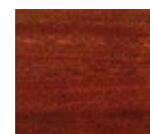
Light Oak



Dark Oak



Dark Mahogany



Red Mahogany

| Code | Product |
|----------|-------------------------|
| F2014003 | Light Oak- 5 Litre |
| F2014004 | Walnut - 5 Litre |
| F2014005 | Dark Mahogany - 5 Litre |
| F2014006 | Red Mahogany - 5 Litre |

| Code | Product |
|----------|--------------------------|
| F2014007 | Dark Oak - 5 Litre |
| F2014008 | Medium Oak - 5 Litre |
| F2014009 | Antique Pine - 5 Litre |
| F2014010 | Mahogany Brown - 5 Litre |

ADHESIVES & SEALERS



- 14kg
- 1.0 - 1.2kg / m²
- Flexible elastic glue
- Solvent Free
- One component ready to use
- Can be wet laid
- Suitable for under floor heating
- Working time approx. 45mins @18-20°C
- Compatible with Seal Tight 100

GRIP TIGHT 50 PRO PLUS ADHESIVE

Grip Tight 50 Pro Plus is a single component elastomeric adhesive suitable for the glue down installation of solid and engineered flooring. It is moisture resistant and remains flexible.

| Code | Product |
|----------|--------------------------------|
| F1210007 | Grip Tight 50 Pro Plus 14kg |



- 10kg
- 30 - 40m² (2 coats)
- One component moisture system
- Solvent, water & isocyanates free
- Superior water vapour protection
- No flash time required
- Excellent bond strength with difficult floors
- Compatible with Grip Tight 50
- Not suitable on anhydrite screed

SEAL TIGHT 100 PU PRIMER

Seal Tight 100 is a one component liquid damp-proofing membrane for concrete floors. Suitable for up to 6% moisture content. Installation must be within 24hours of application.

| Code | Product |
|----------|----------------------------------|
| F1210005 | Seal Tight 100 PU Primer 10kg |



- 12kg
- 800g - 1kg / m²
- Flexible elastic glue
- Solvent Free
- One component ready to use
- Suitable for under floor heating
- Working time approx. 45-60mins @20°C
- Compatible with Primer SF

MONOSIL ADHESIVE

Monosil is a single component moisture-cure adhesive. It has excellent adhesion characteristics on all subfloors as well as permanent elasticity.

| Code | Product |
|----------|----------------|
| F1210010 | Monosil - 12kg |



- 12kg
- 150g - 250g / m²
- One component moisture system
- Solvent & water free
- Suitable for anhydrite screed
- Compatible with Monosil
- Low level viscosity
- Excellent penetration
- Suitable for under floor heating

PRIMER SF

Primer SF is a single component polyurethane moisture-cure primer for treating subfloors before laying wood floors. It offers a much higher coverage and does not increase screed humidity.

| Code | Product |
|----------|------------------|
| F1210011 | Primer SF - 12kg |



PRE-TREATMENT & OILS



- 2.5Ltr
- 8 - 10m² / Ltr
- Water-based
- VOC Free
- Overcoat with oil or soap
- Only to be used on oak
- Allow to dry for 24 hours



- 2.5Ltr
- 8 - 10m² / Ltr
- Water-based
- VOC Free
- Overcoat with oil
- Only to be used with oak
- Allow to dry for 24 hours

ANTIQUÉ OAK LYE

Woca Antique Oak Lye has been especially developed to create a very unique ammonia smoked appearance to oak wood. Requires subsequent treatment with oil or soap.

| Code | Product |
|----------|------------------------------|
| F2010083 | Antique Oak Lye 2.5 Litre |

DRIFTWOOD LYE

Woca Driftwood Lye is primarily for oak wood. By using the product the wood will get a unique 2-dimensional appearance and weather beaten patina. Must be overcoated with Woca finishing oils.

| Code | Product |
|----------|------------------------------------|
| F2010084 | Driftwood Lye White - 2.5 Litre |
| F2010085 | Driftwood Lye Grey - 2.5 Litre |



- 2.5Ltr
- 20 - 25m² / Ltr
- Solvent based
- VOC Max. 85g / Ltr
- Resistant to liquids & scratches
- Water repellent & easy to clean
- Approx. 24 hours drying time



- 2.5Ltr
- 20m² / Ltr
- Solvent based
- VOC Max. 515g / Ltr
- Resistant to liquids & scratches
- Natural appearance
- 8 - 10 hours drying time

DIAMOND OIL ACTIVE

Woca Diamond Oil Active is an extremely hardwearing water repellent oil that can be applied and finished in just 1 coat. Apply with buffing machine or short pile roller for exceptional quality surface.

| Code | Product |
|----------|---|
| F2010086 | Diamond Oil Active Natural - 2.5 Litre |
| F2010087 | Diamond Oil Active Extra White - 2.5 Litre |

HARDWAX OIL EXTREME

Woca Hardwax Oil Extreme emphasises the natural glow of the wood leaving a comfortable anti-slip surface that is easy to maintain. For use on unfinished wood floors or as a top coat over colour oil.

| Code | Product |
|----------|--|
| F2010092 | Hardwax Oil Extreme Natural - 2.5 Litre |
| F2010093 | Hardwax Oil Extreme White - 2.5 Litre |



OILED FLOOR MAINTENANCE & CARE



- 1Ltr
- 200 - 300m² / Ltr
- Water-based
- VOC Free
- Aggressive cleaner prepares surfaces for additional treatment



- 1Ltr
- 30 - 40m² / Ltr
- VOC Max. 630g / Ltr
- Maintenance of oiled wood floors
- Apply manually or with machine
- Drying time 4 hours

INTENSIVE WOOD CLEANER

Woca Intensive Wood Cleaner is a specially developed cleaning product for all indoor wood surfaces. Suitable for stubborn stains pre-cleaning and before basic maintenance, not for regular cleaning.

| Code | Product |
|----------|-----------------------------------|
| F2010006 | Intensive Wood Cleaner 1 Litre |

MAINTENANCE OIL

Woca Maintenance Oil provides oiled surfaces with additional hardwear properties in the upper pore layer and at the same time giving the ideal finish highlighting the natural wood grain.

| Code | Product |
|----------|--------------------------------------|
| F2010009 | Maintenance Oil Natural - 1 Litre |
| F2010012 | Maintenance Oil White - 1 Litre |



- 2.5Ltr
- 320 - 400m² / Ltr
- Water-based
- VOC Free
- Nourishing effect
- For regular cleaning of oiled floors



- 0.2Ltr
- 20 - 30m² / Ltr
- Solvent based
- VOC Max. 135g / Ltr
- Quick-drying
- Apply manually or with machine

NATURAL SOAP

For cleaning and maintenance of oiled, waxed and soaped surfaces. Woca Natural Soap removes dirt and provides the wood with a protective layer at the same time.

| Code | Product |
|----------|-------------------------------------|
| F2010018 | Natural Soap Natural - 2.5 Litre |
| F2010022 | Natural Soap White - 2.5 Litre |

MAINTENANCE GEL

Woca Maintenance Gel is a quick-drying refreshing and maintenance product for oiled wood floors especially suitable for UV oiled floors.

| Code | Product |
|----------|--|
| F2010081 | Maintenance Gel Natural - 0.2 Litre |
| F2010082 | Maintenance Gel White - 0.2 Litre |

JUNCKERS SPORTS FLOOR MAINTENANCE & CARE



- 1 / 5 Ltr
- 50 - 200ml / 10 Ltr
- 5 minute drying time at 20°C & 60% RH
- Well wrung cloth / mop application

SYLVACLEANER

Junckers SylvaCleaner is a universal cleaning agent for daily or periodic cleaning of lacquered and oiled wood floors. It dissolves grime, dries quickly and does not leave a film on the surface.

| Code | Product |
|----------|------------------------|
| F2011025 | SylvaCleaner - 1 Litre |
| F2011027 | SylvaCleaner - 5 Litre |



- 1 Ltr
- 200ml / 10 Ltr
- 5 minute drying time at 20°C & 60% RH
- Well wrung cloth / mop application

SYLVANEUTRALIZER

Junckers SylvaNeutralizer neutralizes any residues left by SylvaCleaner before re-sealing a floor with oil or lacquer. It dries quickly and also removes grease from wooden sports floors.

| Code | Product |
|----------|----------------------------|
| F2011028 | SylvaNeutralizer - 1 Litre |



- 5 Ltr
- 20 - 25m² / Ltr
- 1 - 2 hour drying time
- Flat floor mop application
- Fully cured 3 days

SYLVAREFRESHER

A specially formulated maintenance product for use with Junckers lacquers. This product allows floors to be overcoated with Junckers lacquers while ensuring maximum protection in heavy commercial areas.

| Code | Product |
|----------|--------------------------|
| F2011069 | SylvaRefresher - 5 Litre |



- 5 Ltr
- 80 - 100ml / 10 Ltr
- Sponge / mop application
- Water-based

SYLVADISSOLVER H₂O

Junckers SylvaDissolver is a concentrated, water-based degreaser for cleaning resin / stubborn marks from sports floors. It must be used in a floor washing machine. When the resin is removed, wash with SylvaCleaner.

| Code | Product |
|----------|--------------------------|
| F2011029 | SylvaDissolver - 5 Litre |

MAINTENANCE OF LACQUERED & LAMINATE FLOORS



- 1 / 5 Ltr
- 80 - 100m² / Ltr
- 20 - 30 minute drying time
- Well wrung cloth / mop application

SYLVAPOLISH

Junkers SylvaPolish is formulated for protection of Junkers water-based lacquers. It is quick drying and easy to apply, it protects and enhances the lacquer finish.

| Code | Product |
|----------|-----------------------|
| F2011037 | SylvaPolish - 1 Litre |
| F2011062 | SylvaPolish - 5 Litre |



clean & green[®]
Active

INTENSIVE CLEANER

Clean and Green Active is suitable for regular cleaning of laminate, plastic, PVC and vinyl floors. It's environmentally friendly and leaves no unsightly streaks or smears.

| Code | Product |
|----------|-------------------------------|
| F2012018 | Intensive Cleaner - 0.5 Litre |



clean & green[®]
Natural

PARQUET CLEANER NATURAL

Clean and Green Natural is a versatile floor cleaner ideally suited for regular cleaning of varnished wood, cork and linoleum floor surfaces. This product adds a protective film to your floor.

| Code | Product |
|----------|-----------------------------|
| F2012017 | Parquet Cleaner - 0.5 Litre |



clean & green[®]

AQUA SHIELD

Clean & Green Aqua Shield is designed for refreshing varnished and laminate floors. It will give the floor a new lease of life, be more durable and better protected against moisture penetrating from above.

| Code | Product |
|----------|-----------------------|
| F2012022 | Aqua Shield - 1 Litre |

INSTALLATION ACCESSORIES

PRODUCT

V-Notched Trowel
5.5mm spreader for even distribution of Grip Tight 50 Pro Plus.



Code

F1810006

PRODUCT

Whiteriver PVA
A fast cure, all purpose wood glue which dries clear and sets in 10 minutes.



Code

F1210006

PRODUCT

HARO Installation Kit
Includes Pull Bar, Hammer & Tapping Block.



Code

F1810004

PRODUCT

DIY Installation Kit
Includes Pull Bar, Spacers & Tapping Block.



Code

F1812005

PRODUCT

Beech Tapping Block
For installation of Tongue & Groove and Clic wood flooring.



Code

F1812003

PRODUCT

Professional Tapping Block
For installation of Tongue & Groove and Clic wood flooring.



Code

F1810007

PRODUCT

Plastic Distance Spacers
For ensuring adequate expansion gaps at perimeter walls.



Code

F1812002

PRODUCT

Professional Pull Tool
To help close gaps when installation laminate and hardwood flooring.



Code

F1812001

INSTALLATION ACCESSORIES

PRODUCT

Cork Expansion Strip
30 Pieces Per Pack
(10mm x 15mm x 1m)



Code

F1012002

PRODUCT

Cork Expansion Strip
Cork Expansion Strip - 30 Pieces Per Pack
(15mm x 20mm x 1m)



Code

F1012004

PRODUCT

Bitumen Paper AF1
Bitumen covered building paper used where timber subfloor has a moisture content higher than the recommended 10-12% for installation.



Code

F1011001

PRODUCT

Acoustic Joist Tape
Provides additional acoustic insulation on flooring joists.



Code

F1012003



Code

F1811001

Product

Tramex Concrete Encounter CME 4

A handheld electronic moisture meter used for testing moisture conditions in concrete and other floor slabs and screeds. Versatile, precise and easy to use, the Tramex CME4 allows the user to make multiple tests over a large area in the shortest possible time.



Code

A1410020

Product

Tramex PTM2 Professional Pin Meter

The Professional PTM 2.0 is a hand-held, digital, pin-type resistance moisture meter designed to take precise measurements of moisture content in wood, relative drywall readings and comparative WME (Wood Moisture Equivalent) readings in wood by-products and other building products. The Professional PTM 2.0 has built-in standard calibrations, specific calibration for over 500 wood species and adjustable temperature correction.



Code

F1811008

Product

Tramex Flooring Master Kit

The ultimate kit for pre- & post-application moisture testing of concrete slabs, wood and various other floor covering materials.

Kit Contents: Concrete meter, moisture & humidity meter, 3x) Relative humidity probes, (25x) hole liners, heavy duty pin type wood probe, heavy duty hammer pin type wood probe, (3x) calibration check salts, infrared thermometer.

FINISHING & MAINTENANCE ACCESSORIES

PRODUCT

**Junckers Aqua Roller
25cm**

For application of water based lacquers.



Code

F2011031

PRODUCT

Junckers Handle

For use with Aqua Roller. Fits with telescopic handle.



Code

F2011030

PRODUCT

Double Blade Spatula

For application of oils and fillers.



Code

F1810008

PRODUCT

Wischwiesel Cover

For easy application of oil.



Code

F2012015

PRODUCT

Wischwiesel Applicator

For easy application of oil. Requires Wischwiesel cover.



Code

F2012014

PRODUCT

Woca Polishing Cloths

For drying of excess liquids/oils.



Code

F2010015

PRODUCT

Woca Patina Discs

For use with WOCA diamond oil to achieve closed pore finish.



Code

F2010038

PRODUCT

Merlino Spray Mop

Refill Spray Mop for daily maintenance of wood floors.



Code

F2013011

FINISHING & MAINTENANCE ACCESSORIES

PRODUCT

Vermeister Wax Repair Kit

For fast repairs on wood and laminate floors



Code

F2013010

PRODUCT

Spray Head & Adapter

For 1L standard WOCA bottle.



Code

F2010056

PRODUCT

Oil Applicator

Roller applicator for basic treatment and freshening of wood floors with oil. Provides a uniform coverage.



Code

F2010073

PRODUCT

Telescopic Handle

Fits WOCA pad holder, wipers and roller handle.



Code

F2010068

PRODUCT

Pad with Grab Handle

Includes white pad for dry buffing.



Code

F2010090

PRODUCT

Pad Holder

Includes joint brush and fastener. Fits with WOCA Telescopic Handle.



Code

F2010075

PRODUCT

Woca Pad White (250 x 115 x 8mm)

Fits WOCA Pad Holder. For dry buffing.



Code

F2010091



ABRASIVES



200 x 750mm Belts Cloth Backed (8" Belt Sanders)

| Code | Product | Grit | Qty. Per Pack |
|----------|---------------------------------|------|---------------|
| F2610023 | Zirconium | G24 | 10 No |
| F2610030 | Aluminium oxide / Zirconium Mix | G36 | 10 No |
| F2610024 | Aluminium oxide / Zirconium Mix | G40 | 10 No |
| F2610028 | Aluminium oxide / Zirconium Mix | G60 | 10 No |
| F2610031 | Aluminium oxide / Zirconium Mix | G80 | 10 No |
| F2610032 | Aluminium oxide | G100 | 10 No |
| F2610033 | Aluminium oxide | G120 | 10 No |

250 x 750mm Belts Cloth Backed (10" Belt Sanders)

| Code | Product | Grit | Qty. Per Pack |
|----------|---------------------------------|------|---------------|
| F2610034 | Zirconium | G24 | 10 No |
| F2610035 | Aluminium oxide / Zirconium Mix | G36 | 10 No |
| F2610036 | Aluminium oxide / Zirconium Mix | G40 | 10 No |
| F2610037 | Aluminium oxide / Zirconium Mix | G60 | 10 No |
| F2610038 | Aluminium oxide / Zirconium Mix | G80 | 10 No |
| F2610039 | Aluminium oxide | G100 | 10 No |
| F2610040 | Aluminium oxide | G120 | 10 No |

200 x 551mm Belts Cloth Backed (8" Belt Sanders)

| Code | Product | Grit | Qty. Per Pack |
|----------|---------------------------------|------|---------------|
| F2610077 | Zirconium | G24 | 10 No |
| F2610078 | Aluminium oxide / Zirconium Mix | G36 | 10 No |
| F2610079 | Aluminium oxide / Zirconium Mix | G40 | 10 No |
| F2610083 | Aluminium oxide / Zirconium Mix | G60 | 10 No |
| F2610080 | Aluminium oxide / Zirconium Mix | G80 | 10 No |
| F2610081 | Aluminium oxide | G100 | 10 No |
| F2610082 | Aluminium oxide | G120 | 10 No |



200 x 50mm Rolls Paper Backed (8" Drum Sanders)

| Code | Product | Grit | Qty. Per Pack |
|----------|-----------------|------|---------------|
| F2610041 | Silicon Carbide | G24 | 1 No |
| F2610042 | Silicon Carbide | G36 | 1 No |
| F2610043 | Silicon Carbide | G40 | 1 No |
| F2610044 | Silicon Carbide | G60 | 1 No |
| F2610045 | Silicon Carbide | G80 | 1 No |
| F2610046 | Silicon Carbide | G100 | 1 No |
| F2610047 | Silicon Carbide | G120 | 1 No |

150mm Discs Velcro Backed (6" Edge Sanders)

| Code | Product | Grit | Qty. Per Pack |
|----------|-----------------|------|---------------|
| F2610050 | Silicon Carbide | G24 | 25 No* |
| F2610051 | Silicon Carbide | G36 | 50 No |
| F2610052 | Silicon Carbide | G40 | 50 No |
| F2610029 | Silicon Carbide | G60 | 50 No |
| F2610053 | Silicon Carbide | G80 | 50 No |
| F2610025 | Silicon Carbide | G100 | 50 No |
| F2610054 | Silicon Carbide | G120 | 50 No |

180mm Discs Velcro Backed (7" Edge Sanders)

| Code | Product | Grit | Qty. Per Pack |
|----------|-----------------|------|---------------|
| F2610064 | Silicon Carbide | G24 | 25 No* |
| F2610065 | Silicon Carbide | G40 | 50 No |
| F2610066 | Silicon Carbide | G60 | 50 No |
| F2610067 | Silicon Carbide | G80 | 50 No |
| F2610068 | Silicon Carbide | G100 | 50 No |
| F2610069 | Silicon Carbide | G120 | 50 No |



ABRASIVES



200mm Discs Velcro Backed (Trio Machines)

| Code | Product | Grit | Qty. Per Pack |
|----------|-----------------|------|---------------|
| F2610059 | Silicon Carbide | G40 | 50 No |
| F2610060 | Silicon Carbide | G60 | 50 No |
| F2610061 | Silicon Carbide | G80 | 50 No |
| F2610062 | Silicon Carbide | G100 | 50 No |
| F2610063 | Silicon Carbide | G120 | 50 No |

150mm Discs 9 Hole Velcro Backed (Festool Machines)

| Code | Product | Grit | Qty. Per Pack |
|----------|-----------------|------|---------------|
| F2610055 | Aluminium oxide | G40 | 50 No |
| F2610056 | Aluminium oxide | G60 | 50 No |
| F2610026 | Aluminium oxide | G80 | 50 No |
| F2610057 | Aluminium oxide | G100 | 50 No |
| F2610058 | Aluminium oxide | G120 | 50 No |

95mm Corner Discs 6 Hole Velcro Backed (Festool Machines)

| Code | Product | Grit | Qty. Per Pack |
|----------|-----------------|------|---------------|
| F2610070 | Aluminium oxide | G40 | 100 No |
| F2610071 | Aluminium oxide | G60 | 100 No |
| F2610027 | Aluminium oxide | G80 | 100 No |
| F2610072 | Aluminium oxide | G100 | 100 No |

61mm Corner Discs Velcro Backed (Flip Machines)

| Code | Product | Grit | Qty. Per Pack |
|----------|-----------|------|---------------|
| F2610092 | Zirconium | G40 | 50 No |
| F2610017 | Zirconium | G60 | 50 No |
| F2610018 | Zirconium | G80 | 50 No |
| F2610084 | Zirconium | G100 | 50 No |



SAIT®

ABRASIVES



406mm Sanding Pads (16" Buffing Machines)

| Code | Product | Qty. Per Pack |
|----------|---------|---------------|
| F2610073 | Red | 5 No |
| F2610074 | Black | 5 No |
| F2610075 | Green | 5 No |
| F2610076 | White | 5 No |
| F2610005 | Beige | 10 No* |

203mm Sanding Pads (Trio Machines)

| Code | Product | Qty. Per Pack |
|----------|-------------------------------|---------------|
| F2610012 | Beige / White (For screening) | 10 No |

406mm Sanding Screens (16" Buffing Machines)

| Code | Product | Grit | Qty. Per Pack |
|----------|-----------------|------|---------------|
| F2610085 | Silicon Carbide | G80 | 10 No |
| F2610048 | Silicon Carbide | G100 | 10 No |
| F2610049 | Silicon Carbide | G120 | 10 No |
| F2610086 | Silicon Carbide | G150 | 10 No |

203mm Sanding Screens (Trio Machines)

| Code | Product | Grit | Qty. Per Pack |
|----------|-----------------|------|---------------|
| F2610010 | Silicon Carbide | G80 | 12 No |
| F2610011 | Silicon Carbide | G100 | 12 No |
| F2610021 | Silicon Carbide | G120 | 12 No |
| F2610087 | Silicon Carbide | G150 | 12 No |
| F2610090 | Silicon Carbide | G180 | 12 No |
| F2610091 | Silicon Carbide | G220 | 12 No |

Lägler® PERFECT SANDING



LÄGLER offers the most comprehensive and highest quality range of machines for the professional sanding of wooden floors and the preparation of subfloors.

For more than 50 years, Lägler floor sanding machines represent functional and ergonomic perfection. They are easy to operate and easy to maintain.

At the same time, they meet the environmental and safety related requirements. The wood dust exposure of the machines was minimized as a result of focused research activities, while still providing the user unlimited mobility for sanding in confined areas. The LÄGLER standard offers integrated dust collection systems that remain significantly below the regulated wood dust exposure.

All over the world, wood floor contractors rely on LÄGLER floor sanders and they take advantage of innovative concepts, unmatched solutions, first-class product quality, highest efficiency and perfect work results.

For the benefit of its customers, LÄGLER continuously makes significant investments in basic research, training and consulting services as well as in future oriented manufacturing processes to protect and expand the technology advances of its machines.

LÄGLER - the singles source for floor sanding machines, abrasives and application engineering.



HUMMEL

Belt Sander

Legendary Technology, Ultra Reliable, 98% Dust Free.

The HUMMEL® belt sanding machine is the best-known floor sanding machine in the world, with thousands of models in use across the globe. Mature, long-life technology for perfect sanding quality and enormous machine power have made it the undisputed number one system for parquet floor finishing for decades. The combination of an aggressive sanding drum, three-stage drum pressure regulation and belt tensioning device with integrated automatically regulated belt guidance guarantees quick work and optimum sanding quality.

Convincing HUMMEL facts: extremely economical, belt can be changed in seconds, impressive working quality, low-fatigue work, fail-safe and sturdy design and optimised dust extraction.

Ideal use:

Perfect and economical sanding of both small and large areas even in critical areas such as mosaic inlays with soft wood.

TECHNICAL DATA

| | |
|---|-------------------------|
| Single-phase AC motor with no-voltage release and thermal overload protection | 230 V / 50 CPS / 2.2 kW |
| Fuse protection min. | 16 Amperes |
| Sanding drum width | 200 mm |
| Sanding drum speed | 2400 rpm |
| Sanding belt dimensions | 200 x 750 mm |
| Machine weight | 79 kg |

*Prices subject to change without notice.

| Code | Product |
|----------|-------------------------------|
| F2210001 | Hummel - Belt Sanding Machine |



FLIP

Edge and Corner Sander

Super Aggressive, Quality Performance, 99% Dust Free.

FLIP means maximum efficiency for perfect, comfortable sanding of edges and corners without shoulders. The heart of the FLIP is the powerful motor with its enormous suction power and corresponding reserves. The unexpectedly handy weight of the FLIP is due to the abrasion-proof, glass-fibre reinforced plastic used in the motor casing, handle and attachment.

Like all Lägler machines, the FLIP has been designed down to the last detail with ergonomics, simple handling and maintenance in mind.

The FLIP has the “wood dust test” quality mark, making it the only edge and corner sanding machine in the world to work almost dust-free. There are 2 attachment lengths and 1 corner attachment available.

Ideal use:

Predestined for perfect and comfortable sanding without shoulders of difficult edge and corner areas.

TECHNICAL DATA

| | |
|---|-----------------------------|
| Universal motor with no-voltage release and thermal overload protection | 230 V / 50 CPS / 1.35 kW |
| Fuse protection min. | 10 Amperes |
| Sanding disc diameter | 150 mm |
| Sanding disc speed under load | 3100 rpm |
| Sanding disc speed corner attachment under load | 7750 rpm |
| Machine weight | 9.8 kg |

*Prices subject to change without notice.

| Code | Product |
|----------|-----------------------------|
| F2210003 | Flip - Edge Sanding Machine |



TRIO

Three Disc Sander

Perfect Finish, Powerful & Versatile, 99% Dust Free.

The TRIO is the versatile and powerful floor sanding machine in floor finishing.

From thorough sub-floor treatment via renovation work on pre-finished parquet floors to perfect fine and intermediate sanding, the three disc sanding machine covers a comprehensive spectrum.

The powerful motor has been optimally designed for both the heavy-duty and/or sensitive requirements of these areas of application. The integrated, sensor-monitored dust extractor and well thought-out filter system guarantee almost dust-free work. Disposal of the dust bag is also dust-free. Basic equipment ex factory: Universal sanding disc and additional 8 kg weight.

Ideal use:

Excellent for floor finishing and renovating solid wood, engineered, cork and stained floors. For cleaning and polishing as well as for the dry treatment of screed and sub-floors. Only suitable for dry processing. Suitable for sanding of Pandomo® floors.

TECHNICAL DATA

| | |
|---|----------------------------|
| Single-phase AC motor with no-voltage release and thermal overload protection | 230 V / 50 CPS / 1.8 kW |
| Fuse protection min. | 16 Amperes |
| Number of sanding discs/brushes | 3 |
| Sanding disc/brush diameter | 200 mm |
| Sanding disc/brush speed | 600 rpm |
| Machine weight | 78 kg |

*Prices subject to change without notice.

| Code | Product |
|----------|---|
| F2210004 | Trio - Three Disc Finishing Sanding Machine |

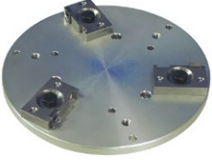

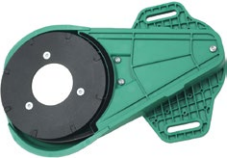




MACHINE ACCESSORIES

| Item | Code | Part Number | Product |
|---|----------|---------------|---|
| HUMMEL | | | |
|  | F2410194 | 000.10.42.240 | Milling Drum Aluminium drum, equipped with carbide indexable inserts, cutting depth adjustment and torx screwdriver. |
|  | F2410200 | 100.63.00.100 | Upgrade Kit LED Light The LED work light ensures that frequently occurring problems due to poor lighting conditions are no longer an issue. Providing optimum visual control over the sanded surface. |
| SINGLE | | | |
|  | F2410196 | 850.02.40.100 | Milling Disc Stainless steel disc, equipped with holders and ceramic reversible milling cutters. |
|  | F2410197 | 850.02.50.100 | Diamond Sanding Disc Stainless steel disc, equipped with diamond sanding segment. |
|  | F2410198 | 850.02.52.100 | Scrabber Disc, Wide Stainless steel disc, equipped with PCD-segments (protects the subfloor) |
|  | F2410199 | 850.02.53.100 | Scrabber Disc, Narrow Stainless steel disc, equipped with PCD-segments (more aggressive than scrubber disc, wide) |



MACHINE ACCESSORIES

| Item | Code | Part Number | Product |
|---|----------|---------------|---|
| TRIO | | | |
|  | F2410195 | 900.02.40.100 | Milling Disc Aluminium disc, equipped with holders and carbide indexable inserts. |
|  | F2410154 | 900.02.30.105 | Brushing Disc Mult-purpose brushing disc for Lägler TRIO. Ideal for sweeping floors to remove dust from wood grain and can be used to apply waxes. |
| FLIP | | | |
|  | F2410193 | 320.01.60.100 | Milling Attachment Complete short attachment with PCD-milling disc and V-belt. |
|  | F2410001 | 335.01.00.100 | Corner Attachment Flip 225mm attachment for Lägler FLIP edger. This accessory is perfectly suited for fast, efficient dust free sanding of corner areas. |
|  | F2410002 | 330.01.00.100 | Corner Attachment Flip 315mm attachment for Lägler FLIP edger. This accessory is perfectly suited for fast, efficient dust free sanding of hard to reach areas such as under radiators. |

Lägler® HUMMEL - SPARE PARTS



ATTENTION!

In order to receive the correct spare parts from us, please specify in inquiries and spare parts orders the serial numbers of your machine.

The motor type plate of HUMMEL is located on the switch box of motor (Fig. 5). The following technical data are specified on the motor type plate (Fig. 6):

1. Manufacturer
2. **Serial number of machine (Mach. - No.)**
3. Year of manufacture (Year)
4. Motor size (Type)
5. Required mains voltage in volt (V)
6. Current consumption in ampere (A)
7. Motor frequency in CPS (Hz)
8. Motor power in kilowatt (KW)
9. Motor speed in 1/min (Rpm)
10. Post factor in cosine phi (cos)
11. Insulation class (Insul. Cl.)
12. Protection class (Prot. Cl.)
13. Type of current
14. Country of manufacture

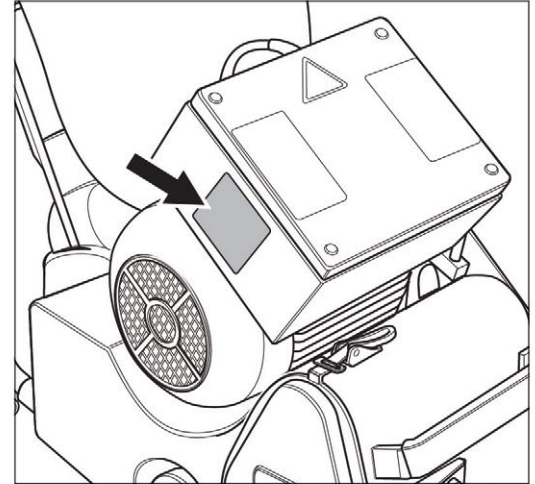


Fig. 5 Motor type plate on switch box.

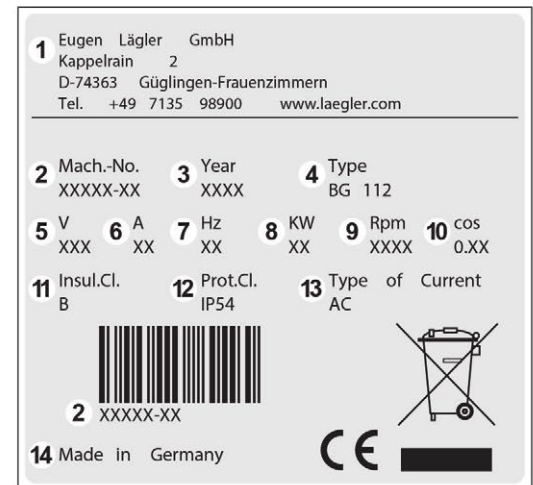
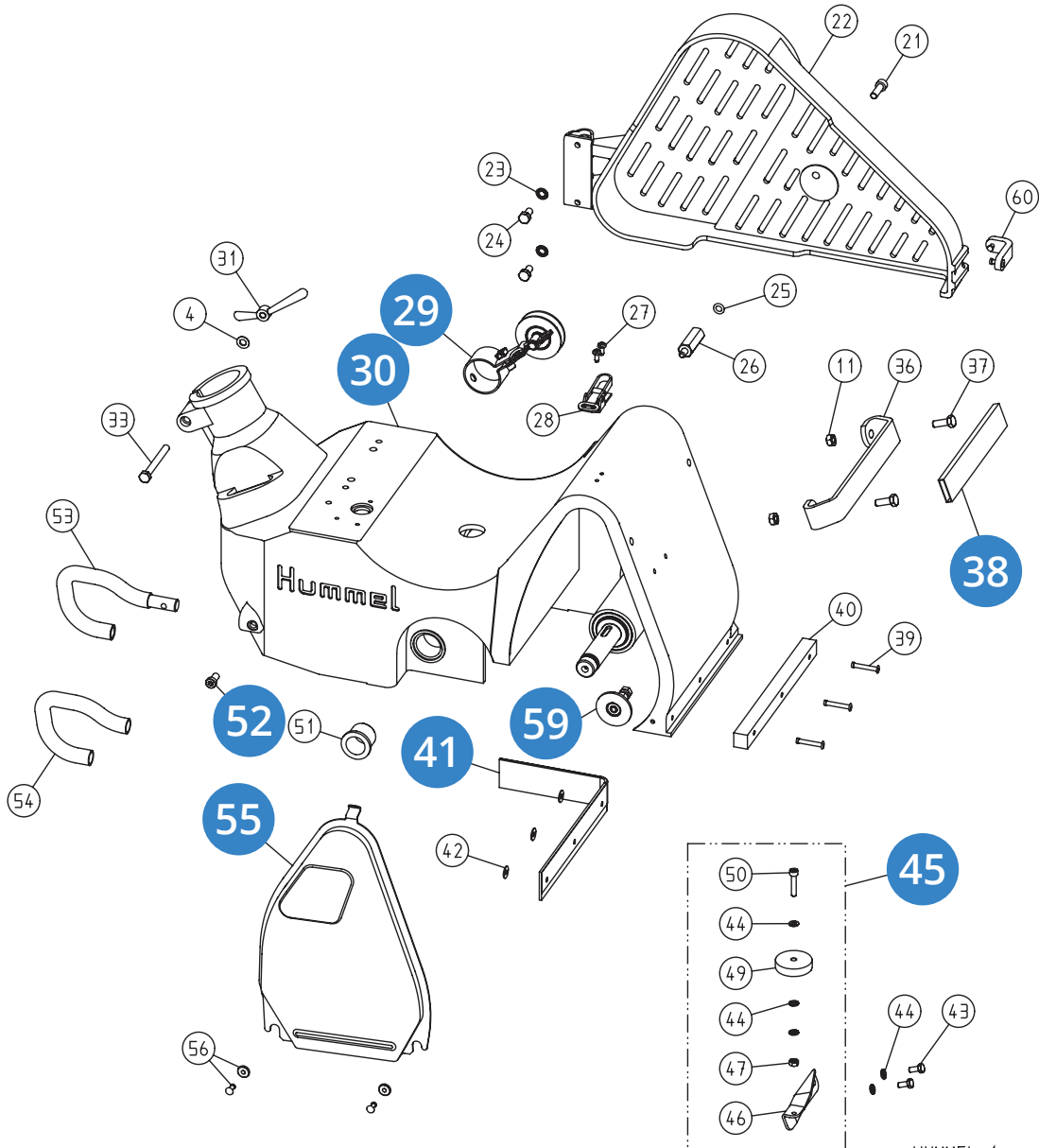


Fig. 6 Data on motor type plate.

SPARE PARTS - HUMMEL



HUMMEL 1
01.11.2014

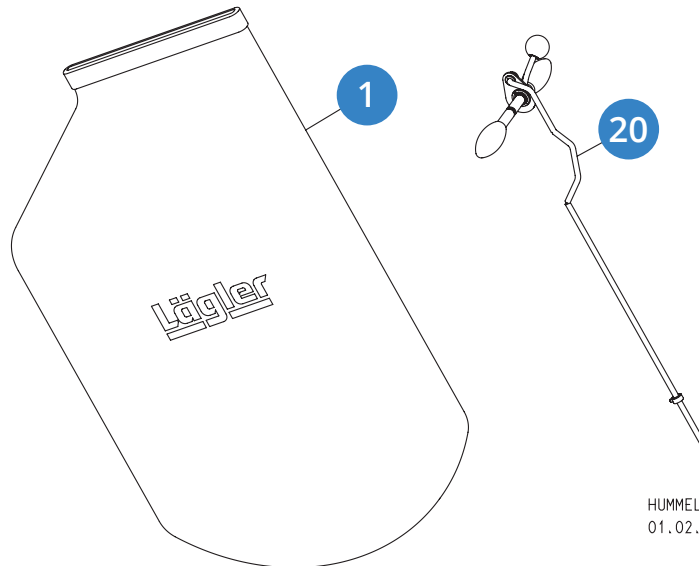
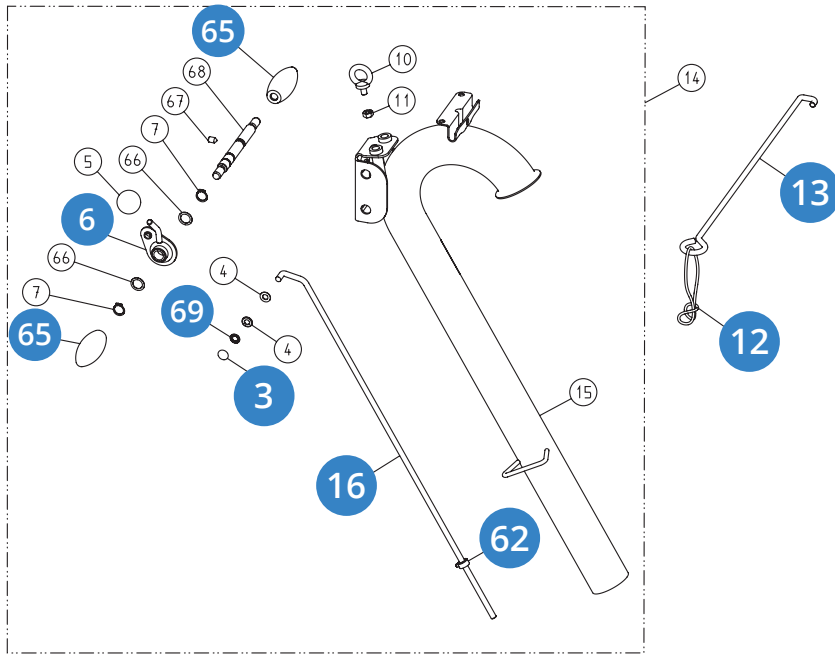


SPARE PARTS - HUMMEL

| Item | Code | Part Number | Product |
|-----------|-----------------|----------------------|---|
| 4 | | 0125.1008.000 | Washer |
| 11 | | 0980.1008.000 | Nut |
| 21 | | 0912.1008.025 | Screw |
| 22 | | 100.50.00.100 | Belt guard, complete |
| 23 | | 6797.1008.000 | Washer |
| 24 | | 0933.1008.016 | Screw |
| 25 | | 000.01.40.001 | O-ring |
| 26 | | 100.50.04.105 | Screw stud |
| 27 | | 7500.1005.012 | Screw |
| 28 | | 100.01.05.105 | Cover Fastener |
| 29 | F2410084 | 100.58.00.200 | Belt tensioner, complete |
| 30 | F2410131 | 100.01.00.100 | Machine housing |
| 31 | | 000.20.45.083 | Wing nut |
| 33 | | 0931.1008.075 | Screw |
| 36 | | 100.33.01.100 | Bracket |
| 37 | | 0933.1008.022 | Screw |
| 38 | F2410180 | 100.33.02.100 | Grip |
| 39 | | 7337.1005.033 | Rivet |
| 40 | | 100.01.01.100 | Bumper felt |
| 41 | F2410124 | 100.01.02.100 | Sealing felt |
| 42 | | 9021.1005.000 | Washer |
| 43 | | 0933.1006.014 | Screw |
| 44 | | 0125.1006.000 | Washer |
| 45 | F2410016 | 100.60.00.200 | Wall-protecting roller with holder |
| 46 | | 100.60.01.100 | Holder for wall - protecting roller |
| 47 | | 0934.1006.000 | Nut |
| 49 | | 100.60.02.200 | Wall-protecting roller |
| 50 | | 0912.1006.030 | Screw |
| 51 | | 000.43.10.252 | Plastic bushing |
| 52 | F2410182 | 7984.1008.016 | Screw |
| 53 | | 100.44.00.100 | Safety guard, complete |
| 54 | | 100.44.01.100 | PVC tube |
| 55 | F2410015 | 100.01.03.100 | Side cover |
| 56 | | 100.01.08.200 | Collar nut, complete |
| 59 | F2410123 | 100.01.30.100 | Guide roller, complete |
| 60 | | 100.50.05.100 | Bumper guard with rivets |



SPARE PARTS - HUMMEL



HUMMEL 2
01.02.2015

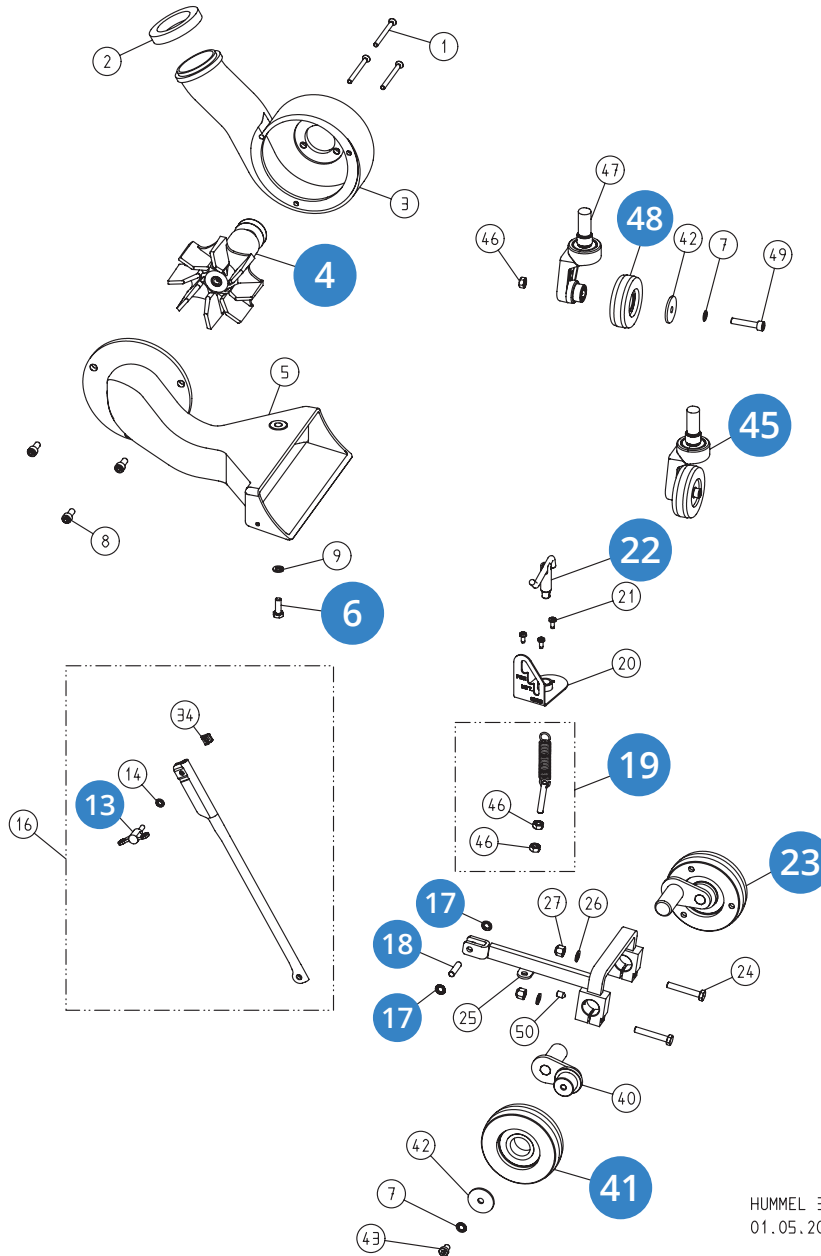


SPARE PARTS - HUMMEL

| Item | Code | Part Number | Product |
|------|----------|---------------|--|
| 1 | F2410014 | 100.00.80.105 | Dust bag for HUMMEL, SUPERHUMMEL, ELF |
| 3 | F2410153 | 000.17.21.081 | Fixing cap |
| 4 | | 0125.1008.000 | Washer |
| 5 | | 000.20.56.351 | Ball knob |
| 6 | F2410138 | 100.20.18.200 | Lever |
| 7 | | 0471.0015.000 | Circlip |
| 10 | | 0580.1008.000 | Thread eye |
| 11 | | 0980.1008.000 | Nut |
| 12 | F2410167 | 00.000.41.002 | Strain relief ring |
| 13 | F2410162 | 100.20.26.100 | Cable support, complete |
| 14 | | 100.20.00.200 | Guide Tube, complete |
| 15 | | 100.20.01.200 | Guide tube |
| 16 | F2410151 | 100.20.24.100 | Upper rod, complete |
| 20 | F2410183 | 100.20.90.200 | Upper rod HUMMEL/ELF for sinistrals, complete (conversion set) |
| 62 | F2410152 | 100.20.23.200 | Adjusting ring, complete |
| 65 | F2410083 | 000.20.31.351 | Handle |
| 66 | | 0988.0015.005 | Washer |
| 67 | | 0914.0008.012 | Grub screw |
| 68 | | 100.20.17.200 | Axle for handle |
| 69 | F2410192 | 000.17.20.081 | Quick-fixing-fastener |



SPARE PARTS - HUMMEL



HUMMEL 3
01.05.2015

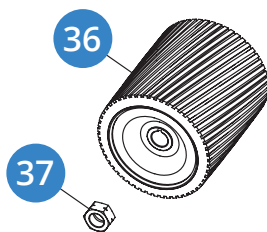
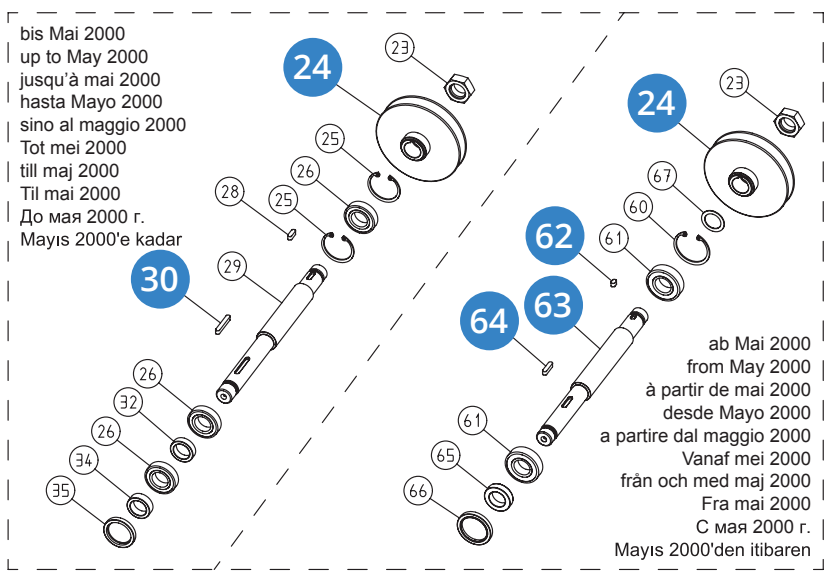
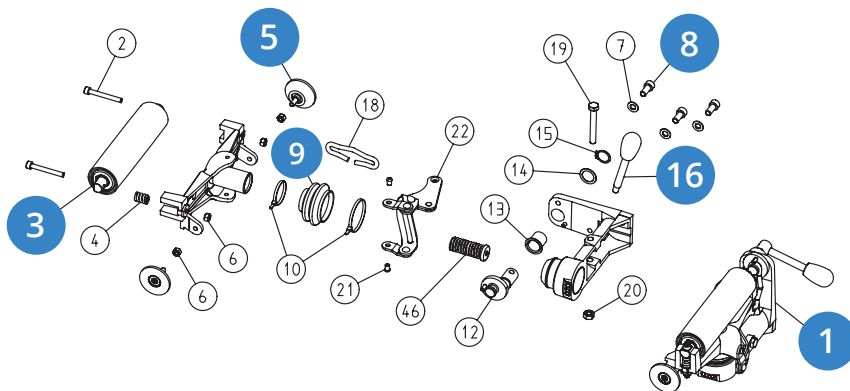


SPARE PARTS - HUMMEL

| Item | Code | Part Number | Product |
|-----------|-----------------|----------------------|---|
| 1 | | 0965.1006.870 | Screw |
| 2 | | 100.08.01.200 | Sealing ring |
| 3 | | 100.08.00.100 | Fan housing |
| 4 | F2410125 | 100.10.00.200 | Fan insert, complete |
| 5 | | 100.14.00.100 | Intake duct |
| 6 | | 0933.1008.022 | Screw |
| 7 | | 6797.1008.000 | Washer |
| 8 | | 0912.1008.018 | Screw |
| 9 | | 0127.1008.000 | Spring washer |
| 13 | F2410143 | 000.20.46.062 | Wing screw |
| 14 | | 0125.1006.000 | Washer |
| 16 | | 100.04.09.100 | Lower rod, complete |
| 17 | F2410192 | 000.17.20.081 | Quick-fixing-fastener |
| 18 | F2410191 | 100.04.01.200 | Pivot pin |
| 19 | F2410122 | 100.04.25.100 | Spring with screw, complete |
| 20 | | 100.04.06.200 | Notch plate |
| 21 | | 7500.1005.012 | Screw |
| 22 | F2410140 | 100.04.02.100 | Spring tensioner, complete |
| 23 | F2410109 | 100.05.00.200 | Lateral wheel, complete |
| 24 | | 0931.1008.050 | Screw |
| 25 | | 100.04.00.100 | Lifting fixture |
| 26 | | 0125.1008.000 | Washer |
| 27 | | 6330.1008.000 | Nut |
| 34 | | 000.50.12.061 | Nut |
| 40 | | 100.05.04.200 | Wheel arm |
| 41 | F2410106 | 100.05.29.100 | Lateral wheel (from year of manufacture June 1999) |
| 42 | | 000.10.10.085 | Washer |
| 43 | | 7984.1008.012 | Screw |
| 45 | F2410107 | 100.18.00.300 | Rear wheel, complete |
| 46 | | 0934.1008.000 | Nut |
| 47 | | 100.18.18.300 | Tail axle housing, complete |
| 48 | F2410108 | 100.18.29.105 | Rear wheel (from year of manufacture 2002) |
| 49 | | 0912.1008.040 | Screw |
| 50 | | 0914.0008.012 | Grub Screw |



SPARE PARTS - HUMMEL



HUMMEL 4
01.06.2013

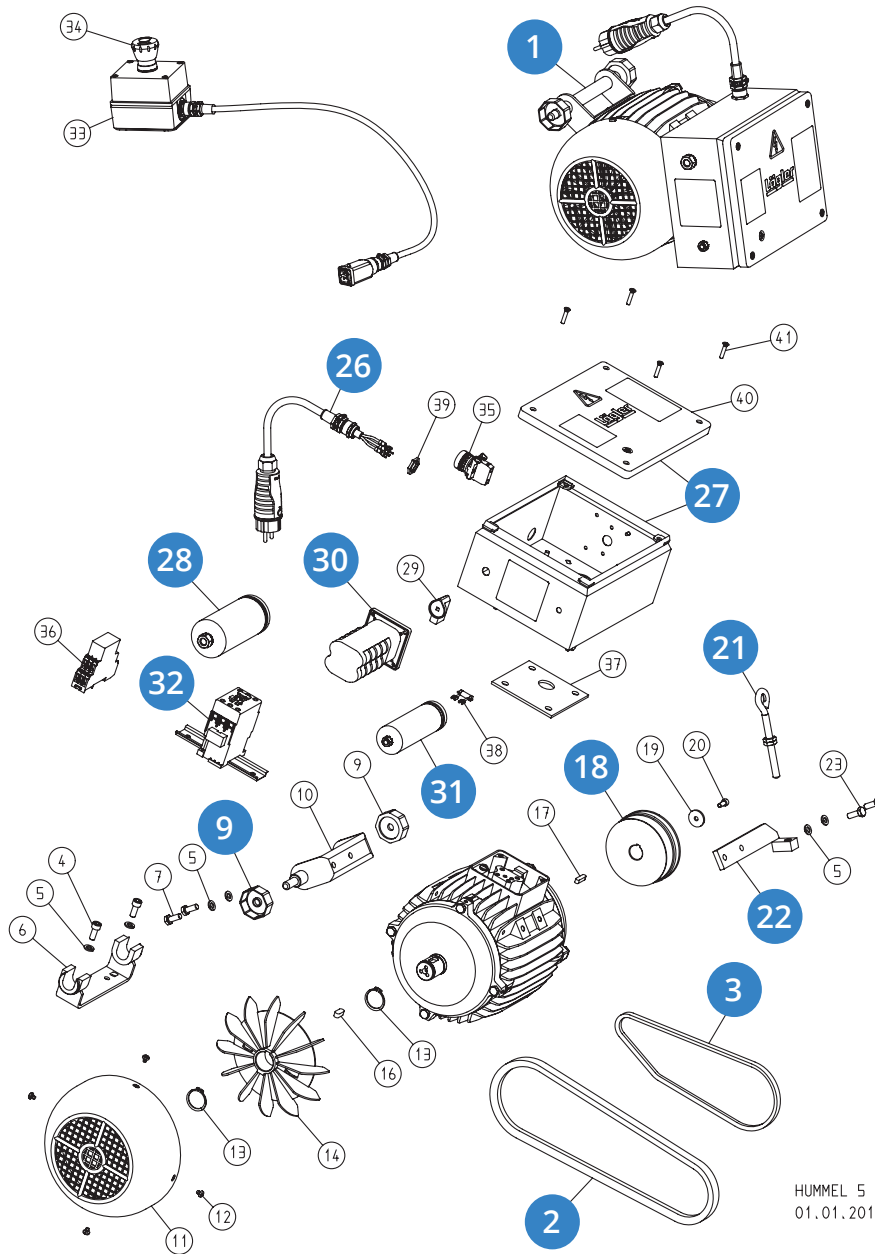


SPARE PARTS - HUMMEL

| Item | Code | Part Number | Product |
|-----------|-----------------|----------------------|--|
| 1 | F2410012 | 100.45.00.100 | Drive unit, complete |
| 2 | | 0912.1006.050 | Screw |
| 3 | F2410005 | 100.45.12.105 | Tensioning roller |
| 4 | | 000.31.13.021 | Pressure spring |
| 5 | F2410160 | 100.45.01.105 | Guide roller |
| 6 | | 0980.1006.000 | Nut |
| 7 | | 0125.1008.000 | Washer |
| 8 | F2410105 | 0912.1008.018 | Screw |
| 9 | F2410141 | 100.45.81.105 | Collar |
| 10 | | 000.61.10.363 | Cable tie |
| 12 | | 100.45.20.100 | Crank |
| 13 | | 100.45.24.105 | Bearing bush |
| 14 | | 0988.0018.005 | Washer |
| 15 | | 0471.0018.000 | Circlip |
| 16 | F2410202 | 000.20.32.104 | Operating lever |
| 18 | | 100.45.17.100 | Clip |
| 19 | | 0931.1008.060 | Screw |
| 20 | | 0980.1008.000 | Nut |
| 21 | | 100.45.61.205 | Screw |
| 22 | | 100.45.37.100 | Double arm, complete |
| 23 | | 100.02.05.100 | Nut, right-hand thread |
| 24 | F2410144 | 100.36.00.100 | V-belt pulley |
| 25 | | 0472.0047.000 | Circlip |
| 26 | | 6005.0025.205 | Ball bearing |
| 28 | | 6885.0606.018 | Parallel key |
| 29 | | 100.02.01.100 | Sanding shaft |
| 30 | F2410147 | 6885.0606.040 | Parallel key |
| 32 | | 100.02.04.105 | Spacer ring |
| 34 | | 100.02.03.105 | Slide ring |
| 35 | | 000.11.35.102 | Shaft seal |
| 36 | F2410013 | 120.40.00.100 | Sanding drum HUMMEL |
| | | 120.41.00.100 | Sanding drum HUMMEL, hard rubber cover |
| 37 | F2410177 | 100.02.06.100 | Nut, left-hand thread |
| 46 | | 100.45.45.100 | Pressure spring |
| 60 | | 0472.0052.000 | Circlip |
| 61 | | 6205.0025.205 | Ball bearing |
| 62 | F2410146 | 6885.0606.010 | Parallel key |
| 63 | F2410161 | 100.02.01.200 | Sanding shaft |
| 64 | F2410148 | 6885.0606.025 | Parallel key |
| 65 | | 100.02.03.200 | Spacer ring |
| 66 | | 000.11.40.102 | Shaft seal |
| 67 | | 0988.0025.010 | Washer |



SPARE PARTS - HUMMEL



HUMMEL 5
01.01.2019

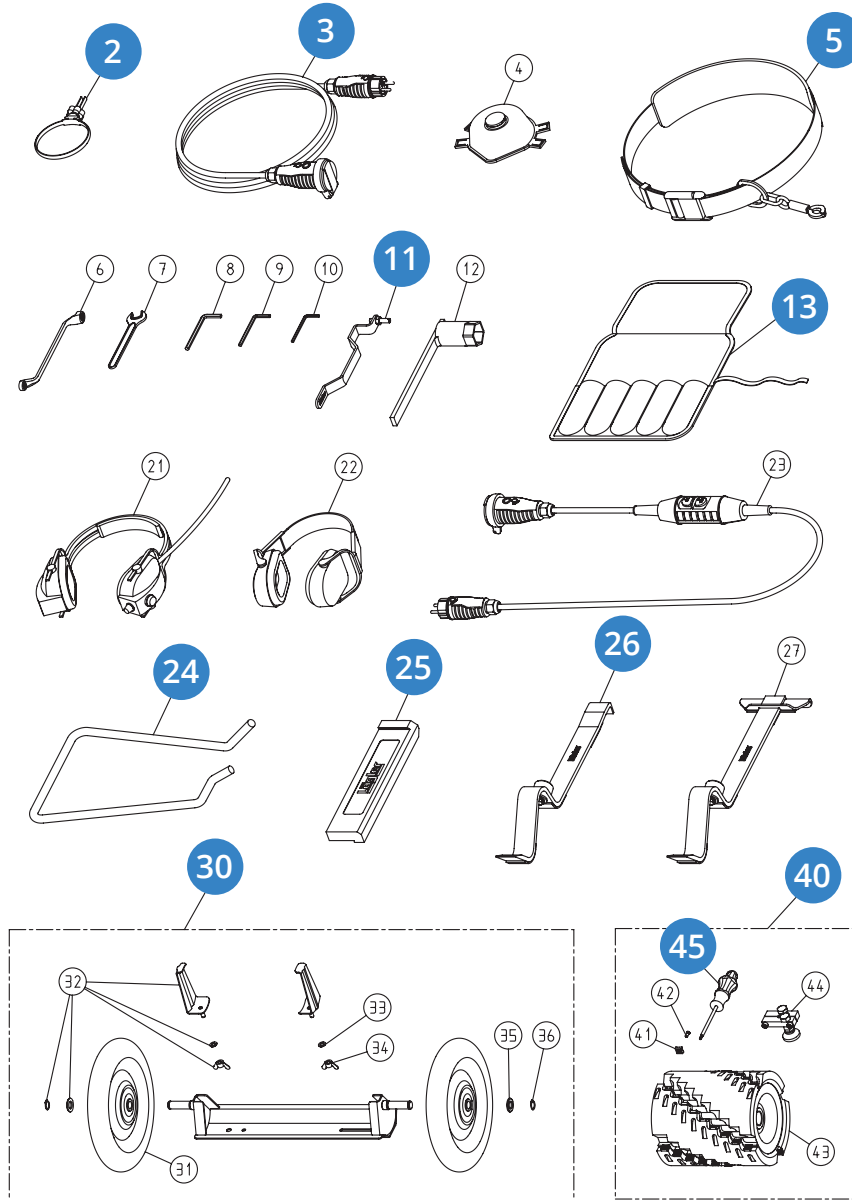


SPARE PARTS - HUMMEL

| Item | Code | Part Number | Product |
|------|----------|---------------|--|
| 1 | F2410097 | 100.65.00.100 | Motor, 230V / 50 CPS / 2.2kW |
| 2 | F2410008 | 000.70.17.092 | V-belt |
| 3 | F2410009 | 000.70.10.067 | V-belt |
| 4 | | 0912.1008.020 | Screw |
| 5 | | 0127.1008.000 | Spring washer |
| 6 | | 100.65.29.200 | Motor bearing bracket |
| 7 | | 0933.1008.020 | Screw |
| 9 | F2410179 | 100.65.30.100 | Motor nut |
| 10 | | 100.65.25.100 | Motor mounting |
| 11 | | 100.65.09.100 | Fan cover |
| 12 | | 7500.1005.006 | Screw |
| 13 | | 0471.0030.000 | Circlip |
| 14 | | 100.65.08.105 | Fan wheel |
| 16 | | 6885.0807.020 | Parallel key |
| 17 | | 6885.0606.025 | Parallel key |
| 18 | F2410145 | 100.65.06.100 | Motor pulley |
| 19 | | 000.10.10.061 | Washer |
| 20 | | 0912.1006.014 | Screw |
| 21 | F2410089 | 100.65.80.205 | Eye bolt |
| 22 | F2410088 | 100.65.35.100 | Motor tensioner |
| 23 | | 0933.1008.022 | Screw |
| 26 | F2410110 | 100.65.75.100 | Motor cable 3 x 2.5mm ² (from year of manufacture 2008) |
| 27 | F2410156 | 100.65.40.200 | Switch box for 220 - 230V / 50CPS |
| 28 | F2410010 | 000.65.10.041 | Running capacitor 40 µF |
| 29 | | 000.65.62.211 | Switch button |
| 30 | F2410113 | 000.65.60.253 | Switch |
| 31 | F2410011 | 000.65.10.061 | Starting capacitor 60 µF |
| 32 | F2410114 | 000.65.20.035 | Contacteur |
| 37 | | 100.65.14.105 | Sealing plate |
| 38 | | 000.65.12.091 | Discharging resistor |
| 39 | | 000.68.60.207 | Nut (from year of manufacture 2008) |
| 40 | | 100.65.47.100 | Cover with seal |
| 41 | | 7500.1005.825 | Screw |



SPARE PARTS - HUMMEL



HUMMEL 6
01.01.2019

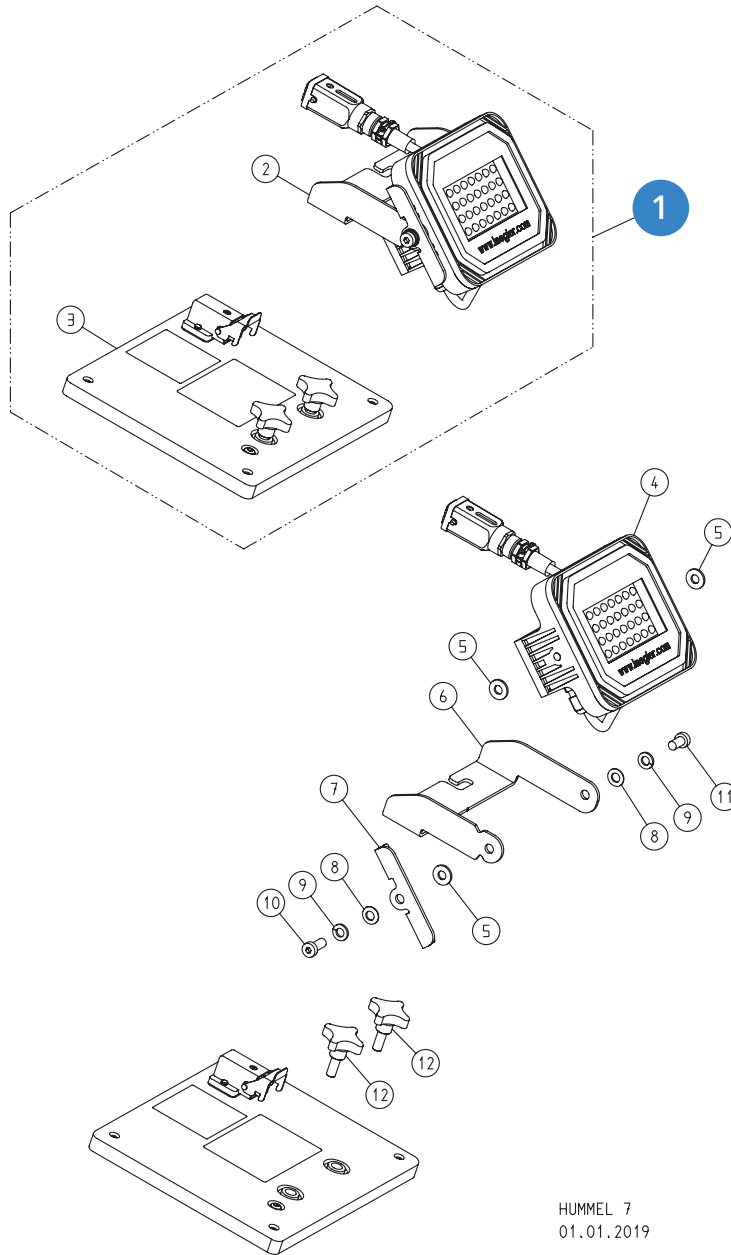


SPARE PARTS - HUMMEL

| Item | Code | Part Number | Product |
|------|----------|---------------|--|
| 2 | F2410017 | 000.01.40.110 | Multiclip |
| 3 | F2410006 | 000.65.53.251 | Extension cable 3 x 2.5mm², 10m long |
| | F2410007 | 000.65.53.252 | Extension cable 3 x 2.5mm², 20m long |
| 4 | | 000.01.20.010 | Respiratory protection mask P3 |
| 5 | F2410077 | 000.01.50.010 | Safety belt |
| 6 | | 000.95.21.103 | Closed mouth wrench 10 / 13mm |
| 7 | | 000.95.11.171 | Open mouth wrench 17mm |
| 8 | | 000.93.11.061 | Hexagonal socket screw wrench 6mm |
| 9 | | 000.93.11.051 | Hexagonal socket screw wrench 5mm |
| 10 | | 000.93.11.041 | Hexagonal socket screw wrench 4mm |
| 11 | F2410201 | 100.00.50.100 | Setting fixture |
| 12 | | 100.00.45.105 | Box wrench |
| 13 | | 000.01.30.011 | Tool bag, empty |
| | F2410139 | 100.98.00.100 | Tool bag, complete |
| 21 | | 000.01.10.011 | Foldable earmuff type MUSIMUFF with FM radio |
| 22 | | 000.01.10.021 | Foldable earmuff type POCKET |
| 23 | | 000.01.65.020 | Safety switch PRCD-S (for German mains supply) |
| 24 | F2410142 | 100.00.55.100 | Carrying handle HUMMEL |
| 25 | F2410078 | 701.10.00.100 | Impact tool |
| 26 | F2410079 | 702.00.00.200 | Parquet layer tool ZUGEISEN, small |
| 27 | | 703.00.00.200 | Parquet layer tool ZUGEISEN, broad |
| 30 | F2410003 | 702.00.00.200 | Trolley TRANSCART, complete |
| 31 | | 720.05.00.205 | Wheel TRANSCART |
| 32 | | 720.10.00.200 | Accessories TRANSCART |
| 33 | | 0125.1008.000 | Washer |
| 34 | | 0315.1008.000 | Wing nut |
| 35 | | 0125.1006.000 | Washer |
| 36 | | 0471.0017.000 | Circlip |
| 40 | F2410194 | 000.10.42.240 | Milling drum 200mm width, complete with accessories |
| 41 | | 900.02.45.105 | Carbide indexable insert (10 pieces per package) |
| 42 | | 900.02.47.105 | Screw for indexable insert |
| 43 | | 000.10.42.241 | Milling drum with indexable inserts |
| 44 | | 000.10.42.243 | Cutting depth adjustment, complete |
| 45 | F2410018 | 000.91.30.151 | Torx screwdriver T15 |



SPARE PARTS - HUMMEL



HUMMEL 7
01.01.2019



SPARE PARTS - HUMMEL

| Item | Code | Part Number | Product |
|------|----------|---------------|---|
| 1 | F2410200 | 100.63.00.100 | Upgrade kit Hummel LED light year of build 1989 onwards. The installation of the LED light must be carried out by a qualified electrician! |
| 2 | | 100.63.01.100 | LED work light, complete |
| 3 | | 100.63.47.100 | Cover of switch box, for LED light |
| 4 | | 100.63.03.100 | LED work light |
| 5 | | 000.10.10.089 | Washer |
| 6 | | 100.63.12.100 | Light holder |
| 7 | | 100.63.13.100 | Swivel stopper |
| 8 | | 0125.1008.000 | Washer |
| 9 | | 0127.1008.000 | Spring washer |
| 10 | | 7984.1008.020 | Screw |
| 11 | | 7984.1008.016 | Screw |
| 12 | | 000.20.20.085 | Cross formed screw |

Lägler® FLIP - SPARE PARTS



ATTENTION!

In order to receive the correct spare parts from us, please specify in inquiries and spare parts orders the serial numbers of your machine.

The type plate of FLIP is located on the motor housing (fig. 1). The following technical data are specified on the type plate (fig. 2):

1. Manufacturer
2. **Serial number of machine (Mach. - No.)**
3. Year of manufacture (Year)
4. Machine name (Type)
5. Required mains voltage in volt (V)
6. Current consumption in ampere (A)
7. Motor frequency in CPS (Hz)
8. Motor power in kilowatt (KW)
9. Motor speed in 1/min (Rpm)
10. Weight of machine in kilogram (Weight)
11. Insulation class (Insul. Cl.)
12. Protection class (Prot. Cl.)
13. Type of current
14. Country of manufacture

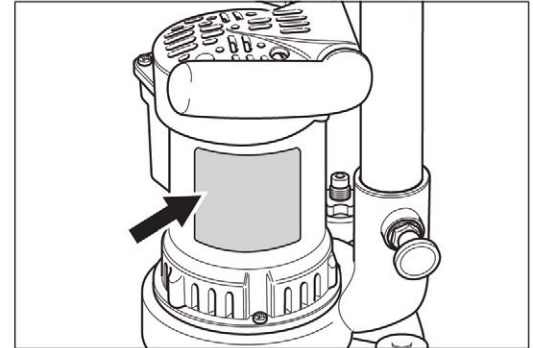


Fig. 1 Type plate on motor housing.

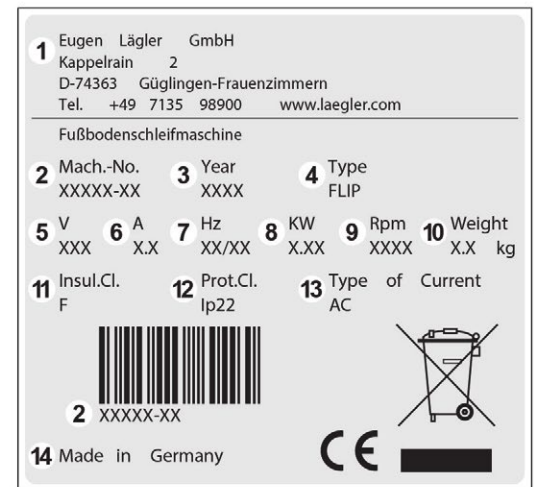
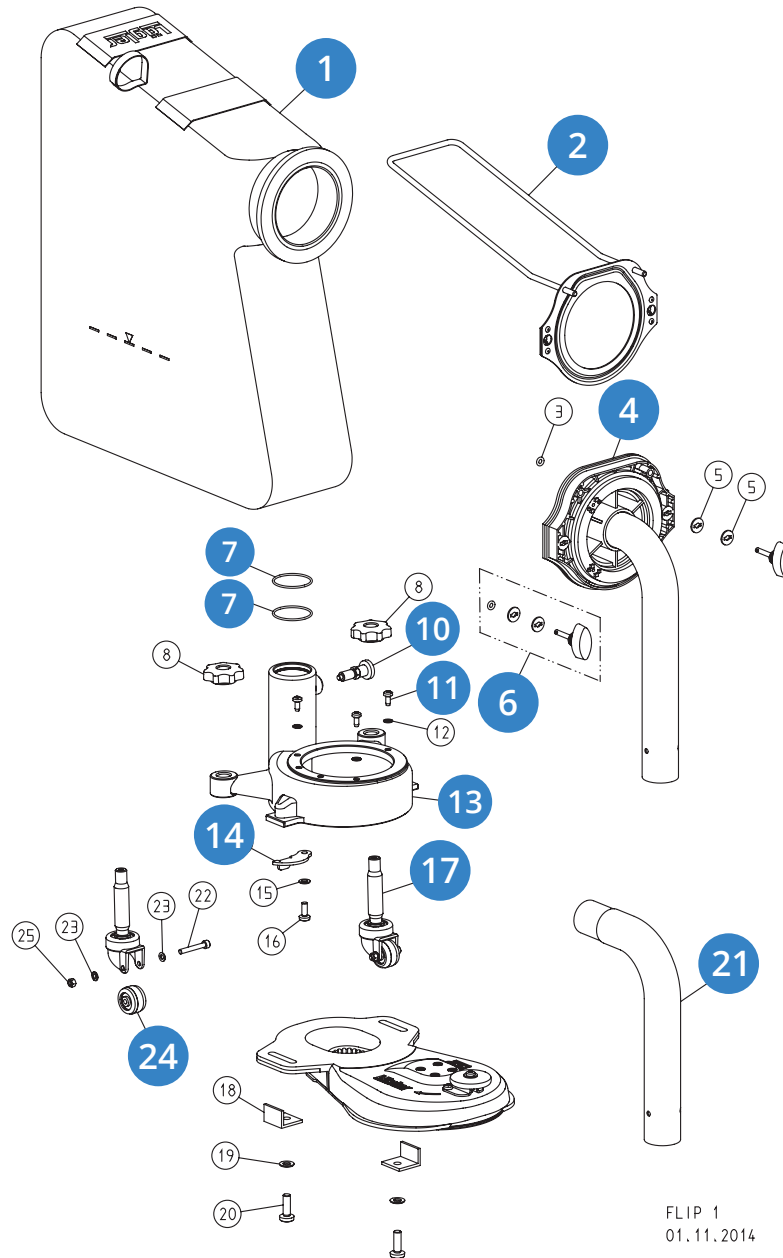


Fig. 2 Data on type plate.



SPARE PARTS -FLIP



FLIP 1
01.11.2014

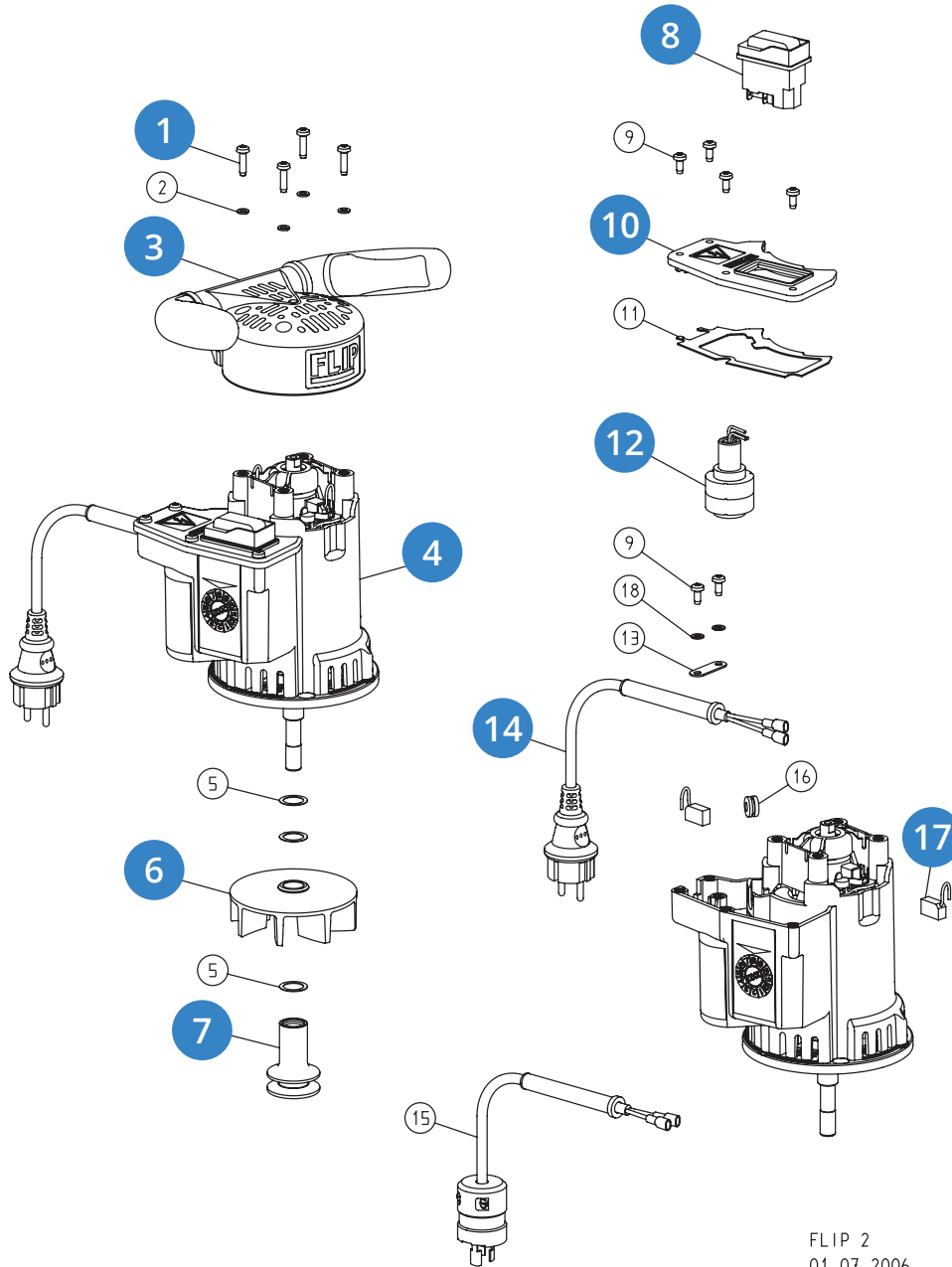


SPARE PARTS - FLIP

| Item | Code | Part Number | Product |
|-----------|-----------------|----------------------|--|
| | | 320.00.80.100 | Dust bag FLIP, complete |
| 1 | F2410050 | 320.00.86.105 | Dust bag FLIP |
| 2 | F2410092 | 320.00.82.100 | Fixing plate with bracket |
| 3 | | 000.11.05.901 | O-ring |
| 4 | F2410103 | 320.14.00.100 | Pipe socket, complete |
| 5 | | 000.10.10.055 | Washer |
| 6 | F2410075 | 000.25.11.433 | Locking pin |
| 7 | F2410090 | 000.11.40.901 | O-ring |
| 8 | | 320.05.11.205 | Star grip (locknut) |
| 10 | F2410203 | 000.20.15.005 | Stop bolt |
| 11 | F2410175 | 7500.1005.012 | Screw |
| 12 | | 0125.1005.000 | Washer |
| 13 | F2410071 | 320.08.10.100 | Fan housing, complete |
| 14 | F2410204 | 320.08.03.100 | Belt tightener plate |
| 15 | | 0125.1006.000 | Washer |
| 16 | | 7985.1006.816 | Screw |
| 17 | F2410047 | 320.05.00.200 | Guide roller, complete |
| 18 | | 320.01.09.100 | Guide angle |
| 19 | | 0125.1008.000 | Washer |
| 20 | | 7985.1008.825 | Screw |
| 21 | F2410091 | 320.14.92.100 | Pipe socket for vacuum cleaner connection, 38 + 40mm outside diameter |
| 22 | | 0912.1005.035 | Screw |
| 23 | | 0125.1005.000 | Washer |
| 24 | F2410087 | 320.05.09.305 | Wheel |
| 25 | | 0980.1005.000 | Nut |



SPARE PARTS -FLIP



FLIP 2
01.07.2006

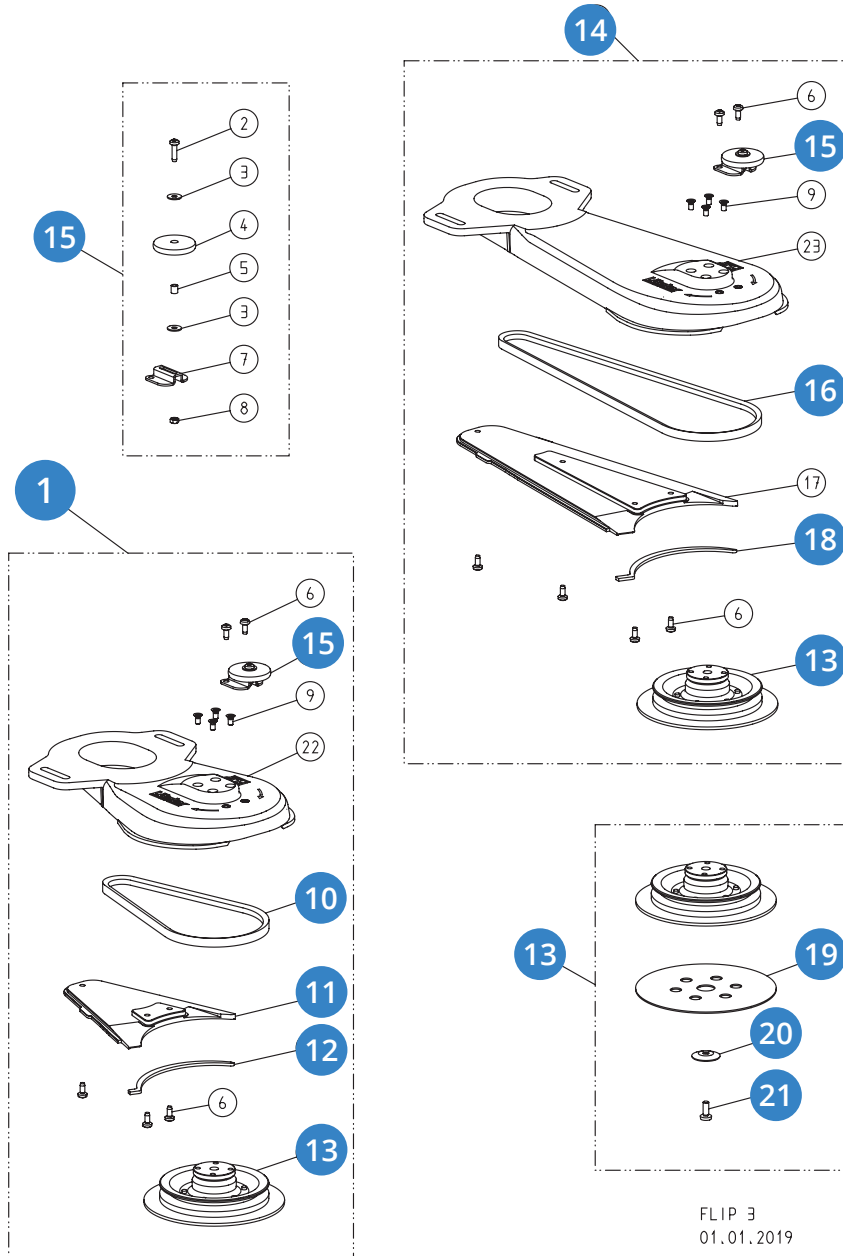


SPARE PARTS - FLIP

| Item | Code | Part Number | Product |
|------|----------|---------------|---------------------------------------|
| 1 | F2410117 | 7500.1005.020 | Screw |
| 2 | | 0127.1005.000 | Spring washer |
| 3 | F2410073 | 320.20.10.105 | Handle FLIP |
| 4 | F2410066 | 320.65.00.100 | Universal motor, 230V / 50 + 60 CPS |
| 5 | | 0988.0016.005 | Washer |
| 6 | F2410072 | 320.10.10.200 | Fan wheel |
| 7 | F2410051 | 320.65.06.100 | Motor pulley |
| 8 | F2410045 | 000.65.60.256 | Switch, 230V / 50 + 60 CPS |
| | | 000.65.62.160 | PVC cap with switch frame |
| 9 | | 7500.1005.012 | Screw |
| 10 | F2410100 | 320.65.47.100 | Cover with seal |
| 11 | F2410183 | 320.65.48.105 | Cover seal |
| 12 | F2410115 | 320.65.30.100 | Interference-free capacitor, complete |
| 13 | | 320.65.59.100 | Latch fastener |
| 14 | F2410067 | 000.65.42.151 | Motor cable 2 x 1.5mm ² |
| 16 | | 000.63.12.071 | Rubber tube |
| 17 | F2410048 | 000.65.84.012 | Carbon brush FLIP |
| 18 | | 0125.1005.000 | Washer |



SPARE PARTS -FLIP



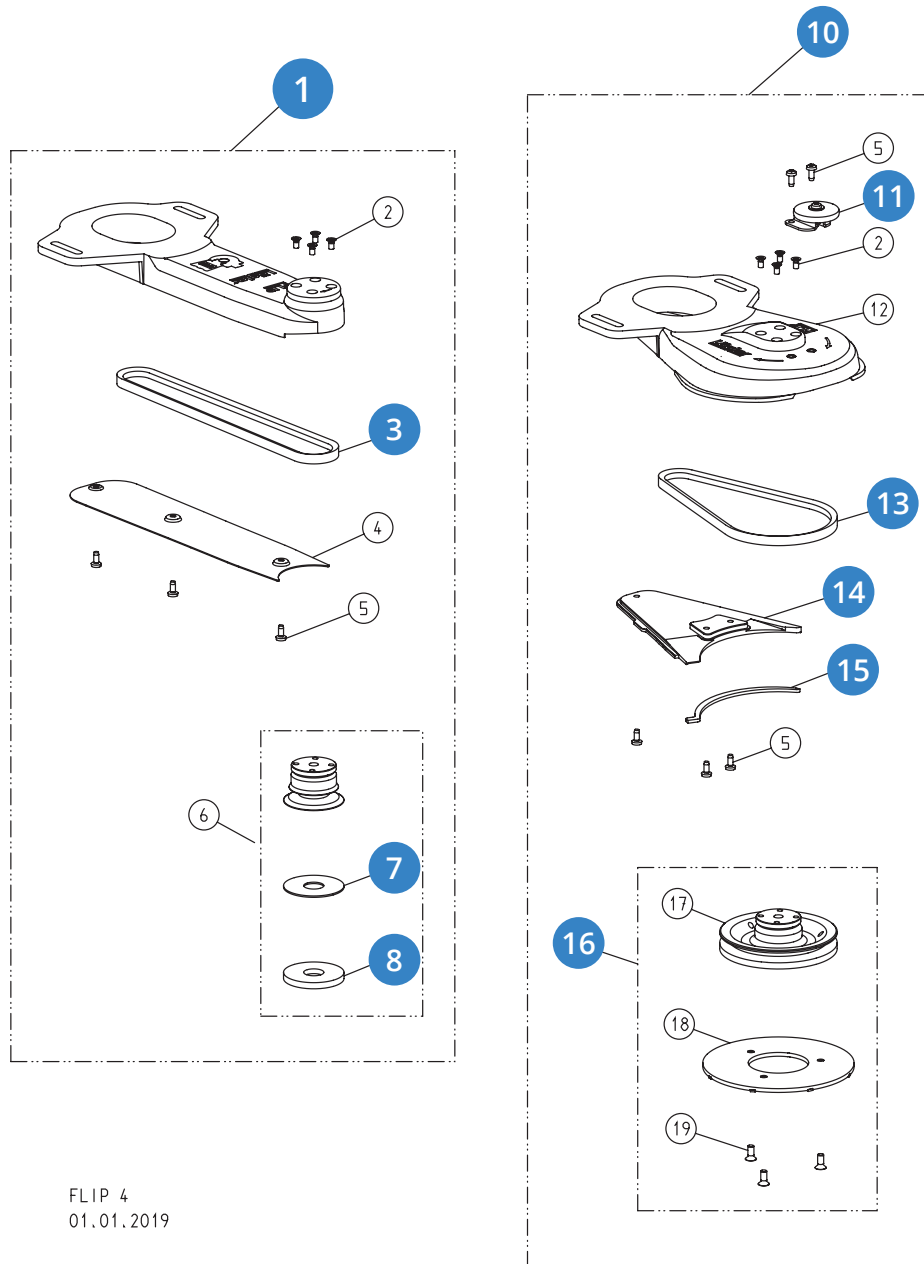
FLIP 3
01.01.2019



SPARE PARTS - FLIP

| Item | Code | Part Number | Product |
|------|----------|---------------|--------------------------------------|
| 1 | F2410101 | 320.01.00.100 | Short attachment FLIP, complete |
| 2 | | 7500.1005.020 | Screw |
| 3 | | 9021.1005.000 | Washer |
| 4 | | 320.60.02.100 | Wall-protecting roller |
| 5 | | 000.43.15.052 | Bush |
| 6 | | 7500.1005.012 | Screw |
| 7 | | 320.60.01.100 | Holder for wall-protecting roller |
| 8 | | 0934.1005.000 | Nut |
| 9 | | 0965.1005.810 | Screw |
| 10 | F2410049 | 000.70.10.055 | V-belt |
| 11 | F2410128 | 320.01.03.100 | Attachment cover short, complete |
| 12 | F2410104 | 320.01.51.105 | Seal (attachment cover short) |
| 13 | F2410068 | 320.01.91.100 | Sanding plate, complete |
| 14 | F2410002 | 330.01.00.100 | Long attachment FLIP, complete |
| 15 | F2410070 | 320.60.00.100 | Wall-protecting roller with bracket |
| 16 | F2410082 | 000.70.10.087 | V-belt |
| 17 | | 330.01.03.100 | Attachment cover long, complete |
| 18 | F2410096 | 330.01.51.105 | Seal (attachment cover long) |
| 19 | F2410046 | 350.03.35.205 | Velcro disc 150mm |
| 20 | F2410069 | 320.02.05.100 | Paper tensioning disc |
| 21 | F2410136 | 7985.1006.816 | Screw |
| 22 | | 320.01.01.105 | Short attachment FLIP (only housing) |

SPARE PARTS -FLIP



FLIP 4
01.01.2019

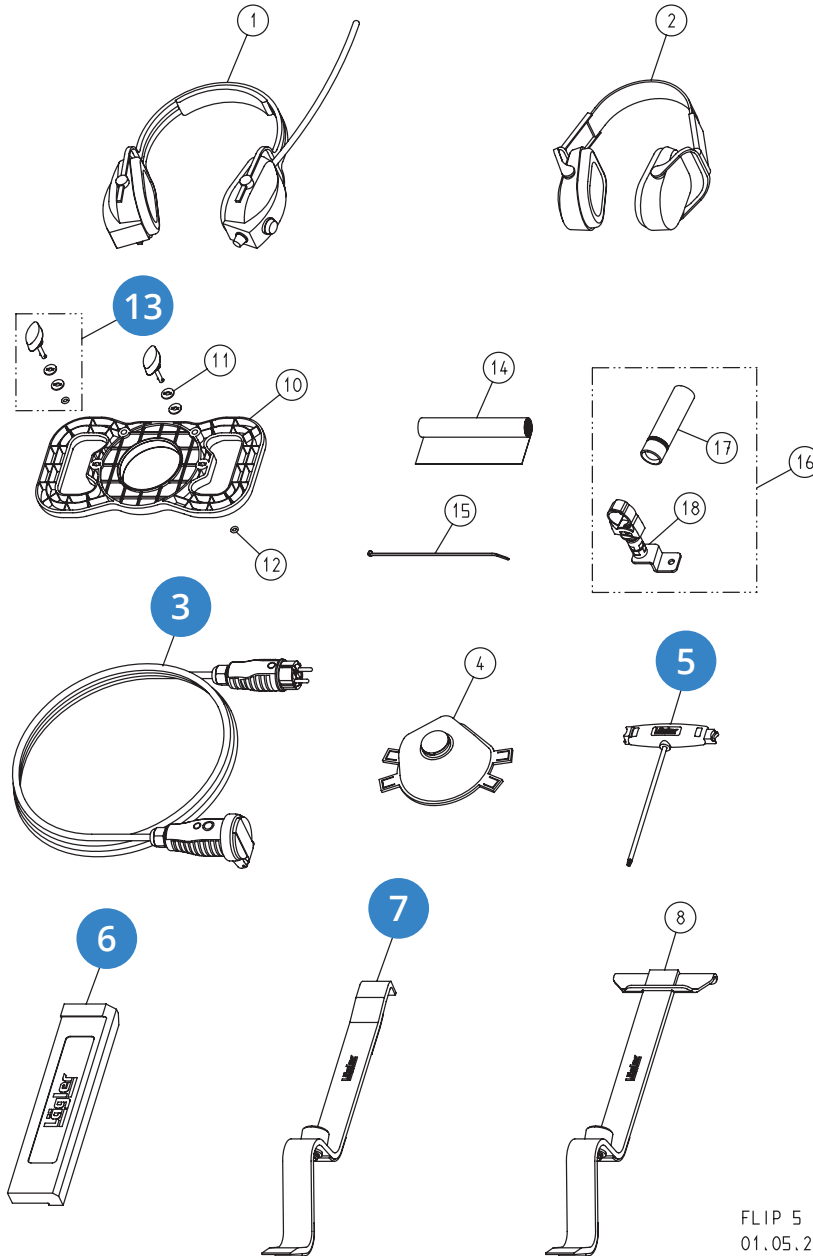


SPARE PARTS - FLIP

| Item | Code | Part Number | Product |
|------|----------|---------------|---|
| 1 | F2410001 | 335.01.00.100 | Corner attachment FLIP, complete |
| 2 | | 0965.1005.810 | Screw |
| 3 | F2410009 | 000.70.10.067 | V-belt |
| 4 | | 335.01.02.100 | Cover, corner attachment |
| 5 | | 7500.1005.012 | Screw |
| 6 | | 335.01.91.100 | Sanding plate for corner attachment, complete |
| 7 | F2410080 | 335.02.12.105 | Velcro coating, self adhesive |
| 8 | F2410081 | 335.02.13.105 | Velcro ring flexible |
| 10 | F2410193 | 320.01.60.100 | Milling attachment FLIP, complete |
| 11 | F2410070 | 320.60.00.100 | Wall-protecting roller with bracket |
| 12 | | 320.01.01.105 | Short attachment FLIP (only housing) |
| 13 | F2410049 | 000.70.10.055 | V-belt |
| 14 | F2410128 | 320.01.03.100 | Attachment cover short, complete |
| 15 | F2410104 | 320.01.51.105 | Seal (attachment cover short) |
| 16 | F2410205 | 320.01.61.100 | Milling disc FLIP, complete |
| 17 | | 320.03.60.100 | Pulley, milling attachment FLIP |
| 18 | | 320.02.21.100 | Milling disc FLIP |
| 19 | | 0965.1006.814 | Screw |



SPARE PARTS -FLIP



FLIP 5
01.05.2015



SPARE PARTS - FLIP

| Item | Code | Part Number | Product |
|-----------|-----------------|----------------------|--|
| 1 | | 000.01.10.011 | Foldable earmuff type MUSIMUFF with FM radio |
| 2 | | 000.01.10.021 | Foldable earmuff type POCKET |
| 3 | F2410102 | 000.65.53.151 | Extension cable 3 x 1.5mm², 10m long |
| 4 | | 000.01.20.010 | Respiratory protection mask P3 |
| 5 | F2410076 | 000.91.40.001 | Universal spanner |
| 6 | F2410078 | 701.10.00.100 | Impact tool |
| 7 | F2410079 | 702.00.00.200 | Parquet layer tool ZUGEISEN, small |
| 8 | F2410183 | 703.00.00.200 | Parquet layer tool ZUGEISEN, broad |
| 10 | F2410183 | 320.00.70.100 | Emptying fixture, complete |
| 11 | | 000.10.10.055 | Washer |
| 12 | | 000.11.05.901 | O-ring |
| 13 | F2410075 | 000.25.11.433 | Locking pin |
| 14 | | 00.000.25.570 | Waste bag |
| 15 | | 000.61.10.363 | Cable tie |
| 16 | | 320.63.00.100 | Working light FLIP, complete |
| 17 | | 320.63.10.100 | Working light FLIP |
| 18 | | 320.63.20.100 | Lighting bracket FLIP |

Lägler® TRIO - SPARE PARTS



ATTENTION!

In order to receive the correct spare parts from us, please specify in inquiries and spare parts orders the serial numbers of your machine.

The motor type plate of HUMMEL is located on the switch box of motor (Fig. 5). The following technical data are specified on the motor type plate (Fig. 6):

1. Manufacturer
2. **Serial number of machine (Mach. - No.)**
3. Year of manufacture (Year)
4. Motor size (Type)
5. Required mains voltage in volt (V)
6. Current consumption in ampere (A)
7. Motor frequency in CPS (Hz)
8. Motor power in kilowatt (KW)
9. Motor speed in 1/min (Rpm)
10. Post factor in cosine phi (cos)
11. Insulation class (Insul. Cl.)
12. Protection class (Prot. Cl.)
13. Type of current
14. Country of manufacture

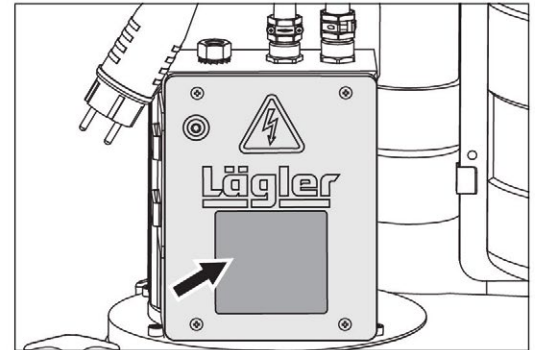


Fig. 1 Type plate on switch box of motor

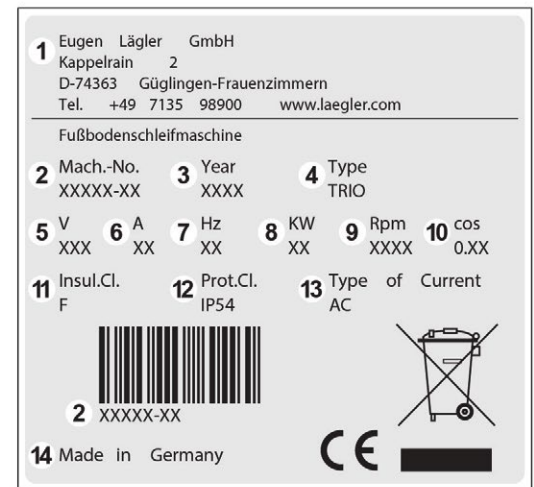
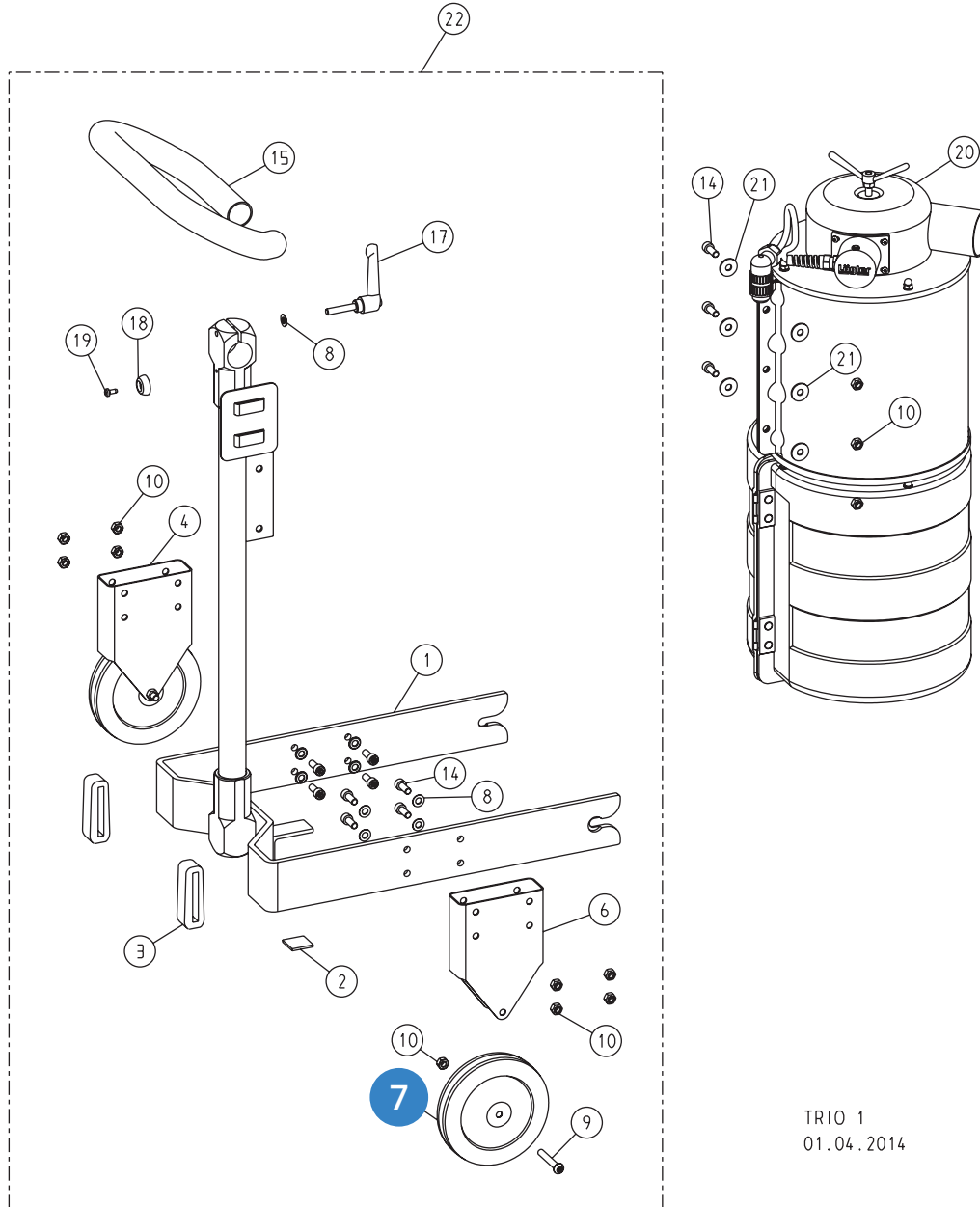


Fig. 2 Data on type plate.

SPARE PARTS -TRIO



TRIO 1
01.04.2014

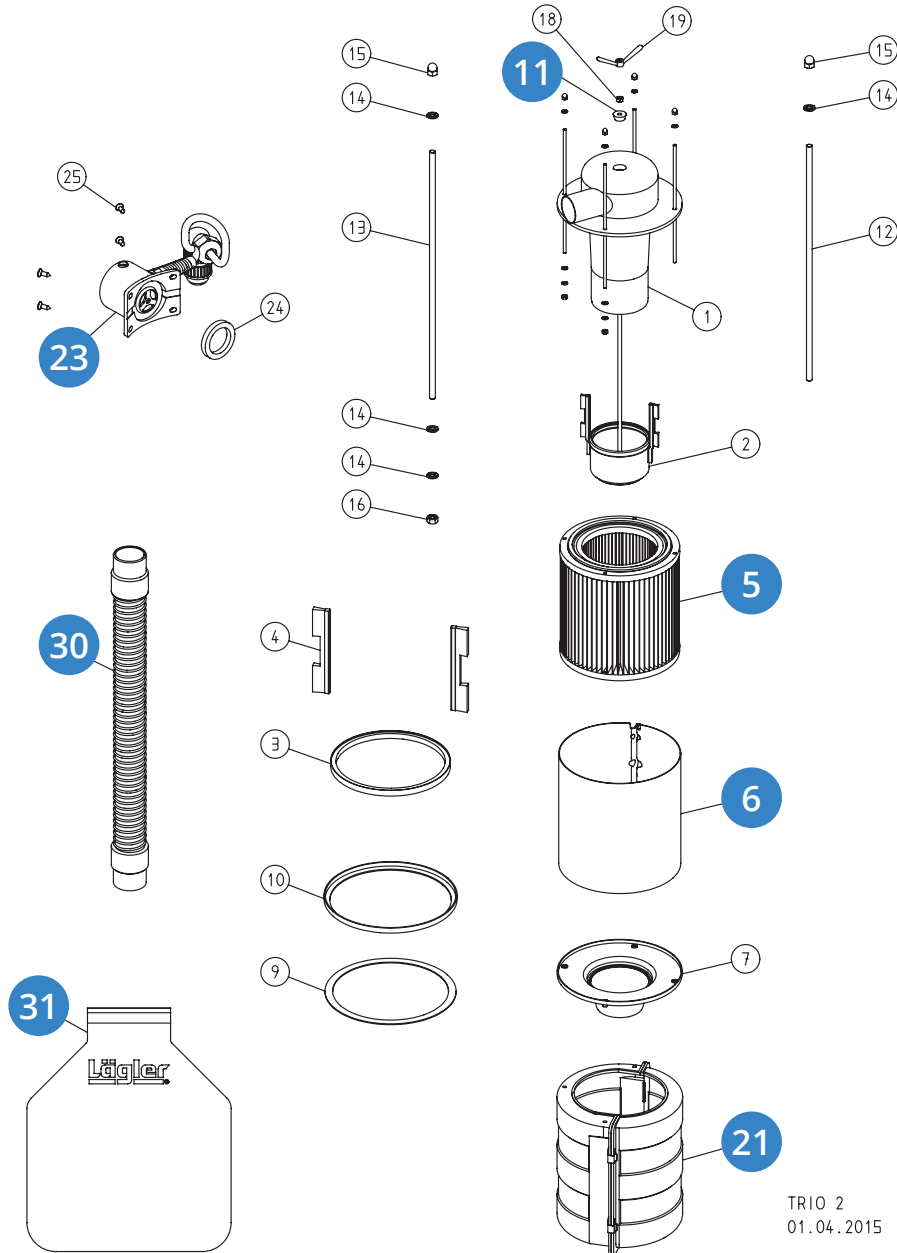


SPARE PARTS - TRIO

| Item | Code | Part Number | Product |
|----------|-----------------|----------------------|--------------------------|
| 1 | | 900.70.05.100 | Frame, complete |
| 2 | | 900.70.25.105 | Bumper felt |
| 3 | | 900.70.80.105 | Protective rubber |
| 4 | | 900.70.36.100 | Wheel, complete |
| 6 | | 900.70.34.100 | Wheel holder |
| 7 | F2410044 | 900.70.32.105 | Wheel |
| 8 | | 0125.1008.000 | Washer |
| 9 | | 7380.1008.055 | Screw |
| 10 | | 0980.1008.000 | Nut |
| 14 | | 0912.1008.020 | Screw |
| 15 | | 900.70.70.300 | Handle |
| 17 | | 000.20.40.081 | Clamping device |
| 18 | | 900.70.52.105 | Rubber buffer |
| 19 | | 7500.1005.012 | Screw |
| 20 | | 900.00.16.100 | Dust separator, complete |
| 21 | | 9021.0208.000 | Washer |
| 22 | | 900.70.00.100 | Chassis, complete |



SPARE PARTS -TRIO



TRIO 2
01.04.2015

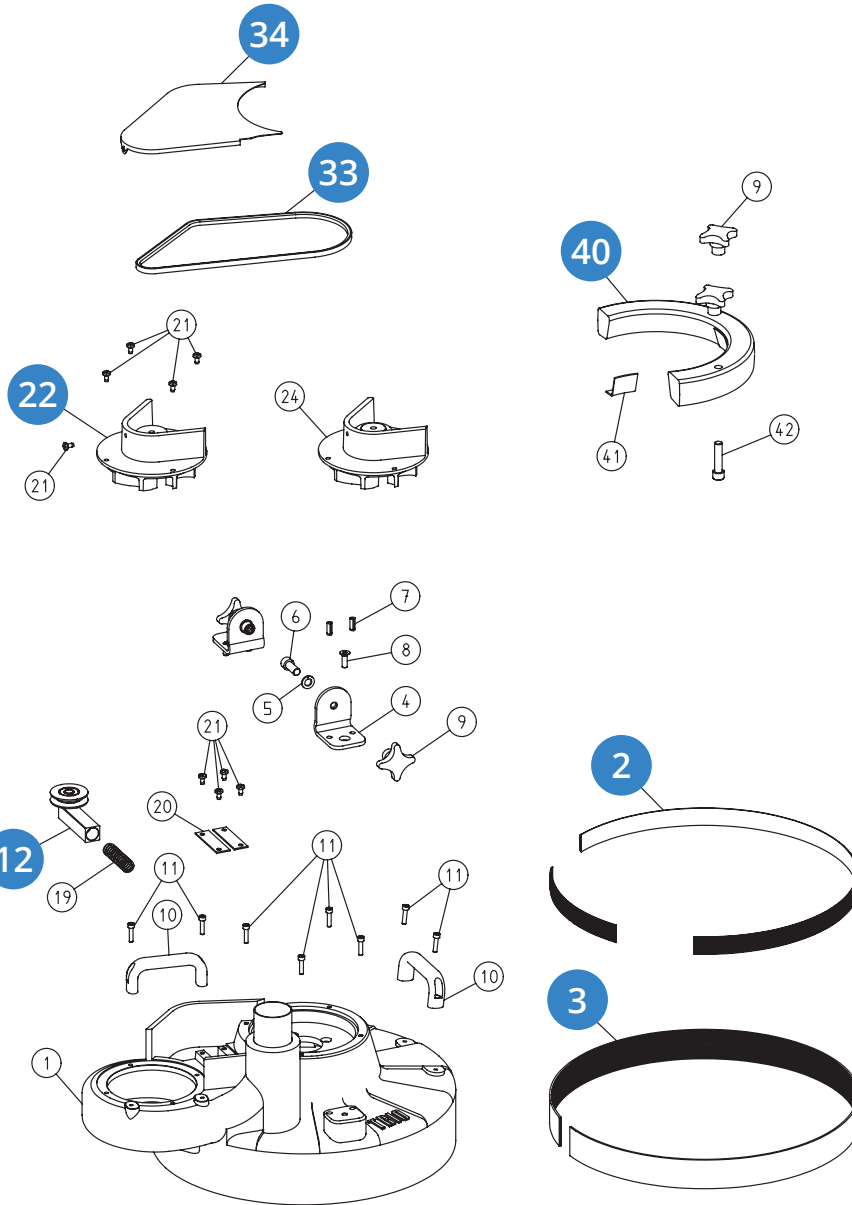


SPARE PARTS - TRIO

| Item | Code | Part Number | Product |
|-----------|-----------------|----------------------|--|
| 1 | | 900.16.10.100 | Separator upper part |
| 2 | | 900.16.21.100 | Opener, complete |
| 3 | | 900.16.23.100 | Sealing brush |
| 4 | | 900.16.45.105 | Filter brush |
| 5 | F2410021 | 900.16.18.105 | Filter cartridge |
| 6 | F2410028 | 900.16.19.100 | Protective cover |
| 7 | | 900.16.17.100 | Cover lower separator, complete |
| 9 | | 900.16.25.105 | Sealing |
| 10 | | 900.16.22.100 | Ring |
| 11 | F2410030 | 900.03.30.105 | Rubber plug with hole |
| 12 | | 900.16.27.105 | Screw, short |
| 13 | | 900.16.26.105 | Screw, long |
| 14 | | 0125.1006.000 | Washer |
| 15 | | 1587.1006.000 | Cap nut |
| 16 | | 0980.1006.000 | Nut |
| 18 | | 0934.1010.000 | Nut |
| 19 | | 000.20.45.083 | Wing nut |
| 21 | F2410112 | 900.17.00.200 | Dust bag box, complete |
| 23 | F2410027 | 900.15.00.100 | Pressure control sensor, complete |
| 24 | | 900.15.40.100 | Sealing washer |
| 25 | | 7983.1042.013 | Screw |
| 30 | F2410022 | 900.14.00.105 | Hose |
| 31 | F2410023 | 900.00.80.105 | Disposable dust bag TRIO (25 pieces per carton) |



SPARE PARTS -TRIO



TRIO 3
31.10.2002

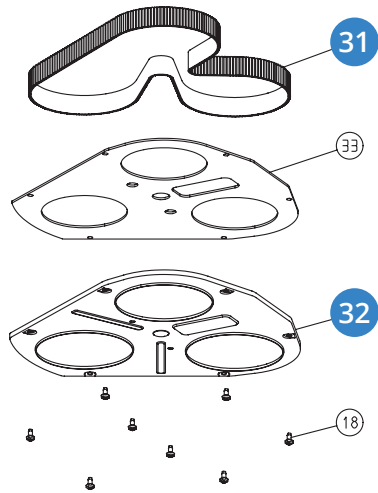
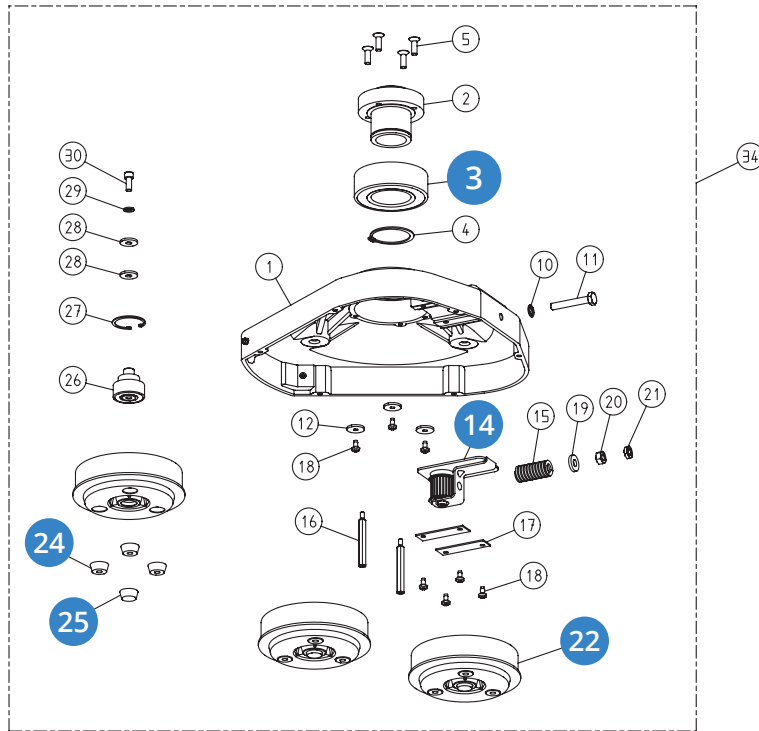


SPARE PARTS - TRIO

| Item | Code | Part Number | Product |
|------|----------|---------------|--|
| 1 | | 900.01.10.200 | Machine housing |
| 2 | F2410020 | 900.01.42.100 | Self-adhesive Velcro negative |
| 3 | F2410019 | 900.01.50.100 | Velcro seal |
| | | 900.01.50.105 | Velcro seal TRIO by the roll (50m) |
| 4 | | 900.01.60.100 | Angle |
| 5 | | 0127.1012.000 | Spring washer |
| 6 | | 0912.1012.030 | Screw |
| 7 | | 1481.0008.020 | Spring type straight pin |
| 8 | | 7991.1008.025 | Screw |
| 9 | | 000.20.20.121 | Cross grip |
| 10 | | 000.20.10.121 | Handle |
| 11 | | 0912.1006.025 | Screw |
| 12 | F2410042 | 900.58.00.200 | Belt tensioner, complete |
| 19 | | 000.31.20.091 | Pressure spring |
| 20 | | 900.01.20.200 | Guide plate |
| 21 | | 7500.1006.012 | Screw |
| 22 | F2410041 | 900.10.00.200 | Fan insert complete, European version |
| 33 | F2410082 | 000.70.10.087 | V-belt |
| 34 | F2410043 | 900.50.10.100 | Belt guard |
| 40 | F2410127 | 900.80.00.100 | Additional weight, complete |
| 41 | | 900.80.21.105 | Felt |
| 42 | | 0912.1012.050 | Screw |



SPARE PARTS -TRIO



TRIO 4
01.04.2014

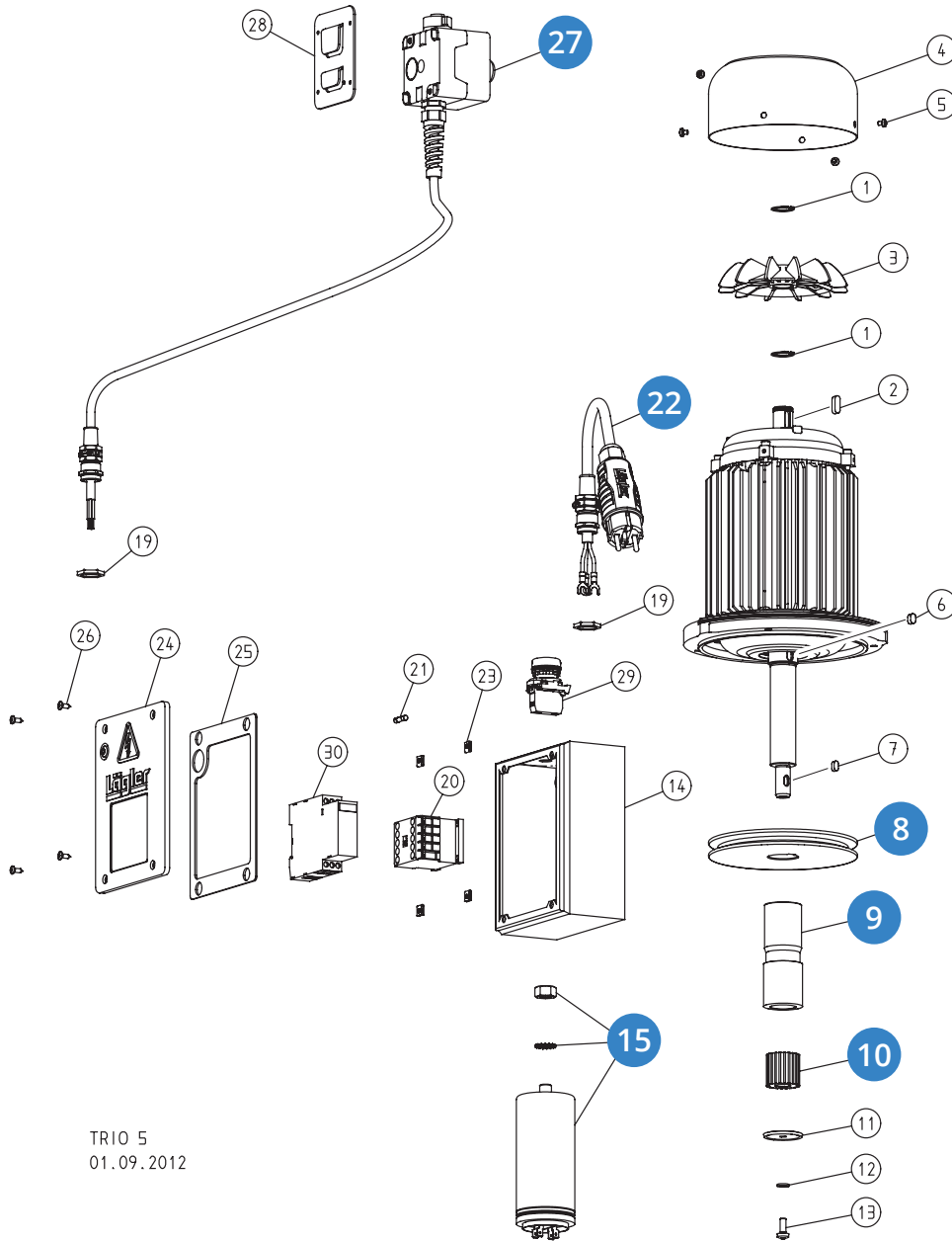


SPARE PARTS - TRIO

| Item | Code | Part Number | Product |
|-----------|-----------------|----------------------|---------------------------------------|
| 1 | | 900.07.10.200 | Inner housing |
| 2 | | 900.07.20.100 | Pick up |
| 3 | F2410185 | 3212.0060.202 | Ball bearing |
| 4 | | 0471.0060.000 | Circlip |
| 5 | | 7991.1008.025 | Screw |
| 10 | | 6797.1010.000 | Washer |
| 11 | | 0933.1010.065 | Screw |
| 12 | | 000.10.10.061 | Washer |
| 14 | F2410040 | 900.67.00.200 | Tooth belt tensioner, complete |
| 15 | | 000.31.25.061 | Pressure spring |
| 16 | | 900.07.42.205 | Bolt |
| 17 | | 900.01.20.200 | Guide plate |
| 18 | | 7500.1006.012 | Screw |
| 19 | | 7349.1010.000 | Washer |
| 20 | | 0934.1010.000 | Nut |
| 21 | | 0439.1010.000 | Nut |
| 22 | F2410038 | 900.03.00.100 | Pulley, complete |
| 24 | F2410030 | 900.03.30.105 | Rubber plug with hole |
| 25 | F2410031 | 900.03.35.105 | Rubber plug without hole |
| 26 | | 900.03.10.100 | Axle pulley, complete |
| 27 | | 0472.0047.000 | Circlip |
| 28 | | 000.10.10.081 | Washer |
| 29 | | 0127.1008.000 | Spring washer |
| 30 | | 0912.1008.020 | Screw |
| 31 | F2410032 | 000.75.28.152 | Tooth belt |
| 32 | F2410039 | 900.07.32.100 | Cover complete |
| 33 | | 900.07.31.105 | Sealing felt |
| 34 | | 900.07.00.100 | Inner housing, complete |



SPARE PARTS -TRIO



TRIO 5
01.09.2012

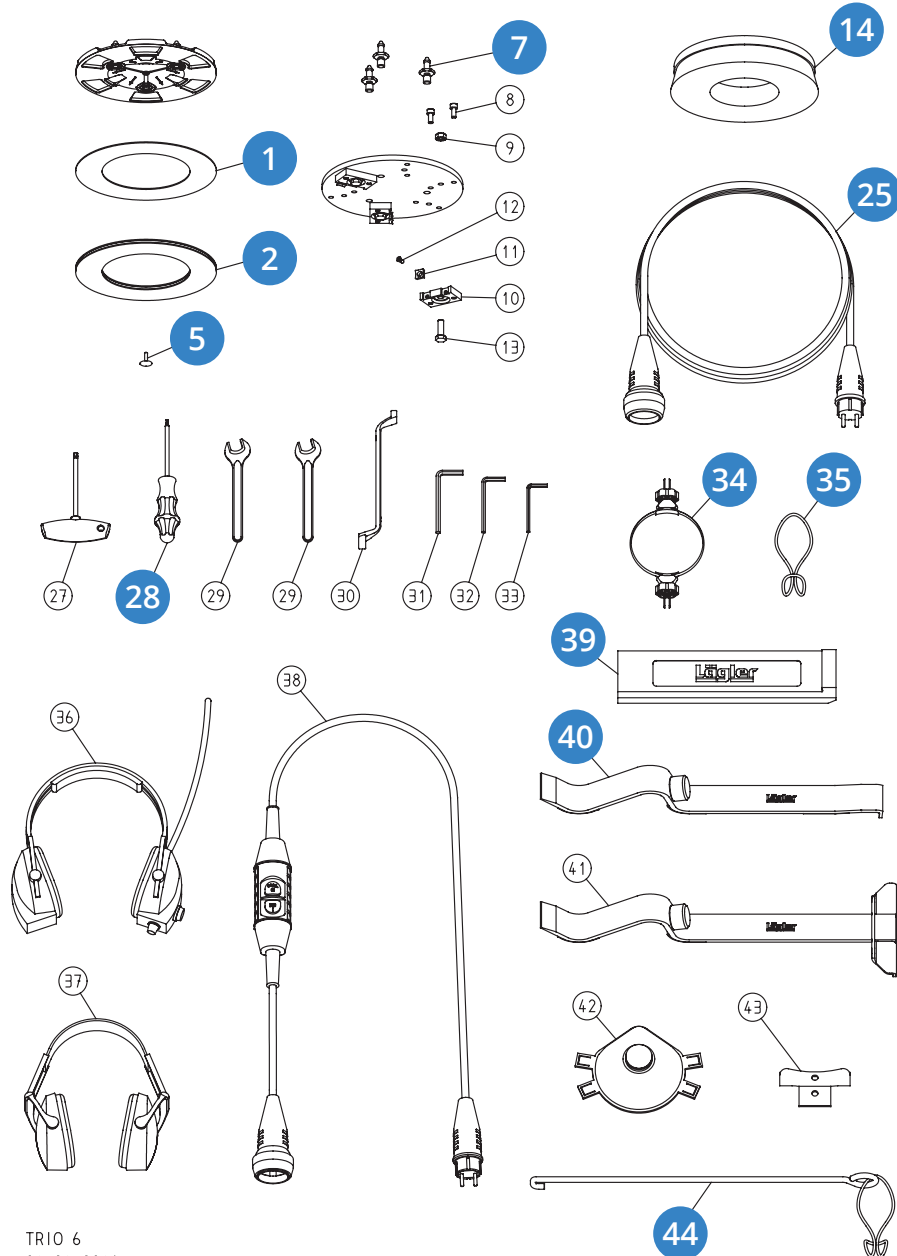


SPARE PARTS - TRIO

| Item | Code | Part Number | Product |
|------|-----------------|----------------------|---|
| | | 900.65.00.100 | Motor, 230V / 50 CPS / 1.8kW |
| 1 | | 0471.0020.000 | Circlip |
| 2 | | 6885.0606.018 | Parallel key |
| 3 | | 900.65.08.100 | Fan blade |
| 4 | | 900.65.09.100 | Fan cover |
| 5 | | 7985.1004.805 | Screw |
| 6 | | 6885.0606.010 | Parallel key |
| 7 | | 6885.0505.010 | Parallel key |
| 8 | F2410034 | 900.65.06.100 | Motor pulley |
| 9 | F2410035 | 900.65.43.200 | Spacer sleeve |
| 10 | F2410036 | 900.65.41.105 | Pinion |
| 11 | | 900.65.42.100 | Washer |
| 12 | | 0127.1006.000 | Spring washer |
| 13 | | 7985.1006.816 | Screw |
| 14 | | 900.65.40.200 | Switch box |
| 15 | F2410010 | 000.65.10.041 | Running capacitor 40µF |
| 19 | | 000.68.60.207 | Nut (from year of manufacture 2008) |
| | | 000.68.60.163 | Nut (up to year of manufacture 2007) |
| 20 | | 000.65.20.012 | Contactator |
| 21 | | 000.65.80.061 | Fuse. 6.3 A |
| 22 | F2410110 | 100.65.75.100 | Motor cable 3 x 2.5mm² (from year of manufacture 2008) |
| | F2410111 | 000.65.43.251 | Motor cable 3 x 2.5mm² (up to year of manufacture 2008) |
| 23 | | 000.50.10.109 | Clip nut |
| 24 | | 900.65.47.100 | Cover with seal |
| 25 | | 465.65.48.105 | Cover seal |
| 26 | | 7983.1042.013 | Screw |
| 27 | F2410037 | 900.65.60.200 | Switch, complete (from year of manufacture 2008) |
| | | 900.65.60.100 | Switch, complete (up to year of manufacture 2007) |
| 28 | | 900.65.55.200 | Bracket |



SPARE PARTS -TRIO



TRIO 6
01.01.2014



SPARE PARTS - TRIO

| Item | Code | Part Number | Product |
|------|----------|---------------|---|
| | F2410159 | 900.02.10.200 | Sanding plate, complete |
| 1 | F2410025 | 900.02.12.305 | Velcro ring 200mm |
| 2 | F2410026 | 900.02.13.205 | Velcro ring flexible 200 / 125mm diameter |
| 5 | F2410004 | 900.02.23.205 | Plastic pin |
| | F2410195 | 900.02.40.100 | Milling disc TRIO, complete |
| 7 | F2410184 | 900.02.42.105 | Fastening bolt |
| 8 | | 0912.1006.014 | Screw |
| 9 | | 0934.1008.000 | Nut |
| 10 | | 900.02.43.100 | Holder for indexable inserts |
| 11 | | 900.02.45.105 | Carbide indexable insert (10 pieces per box) |
| 12 | | 900.02.47.105 | Screw for indexable insert |
| 13 | | 900.02.49.105 | Special screw |
| 14 | F2410154 | 900.02.30.105 | Brushing disc TRIO |
| 25 | F2410006 | 000.65.53.251 | Extension cable 3 x 2.5mm ² , 10m long |
| | F2410007 | 000.65.53.252 | Extension cable 3 x 2.5mm ² , 20m long |
| 28 | F2410018 | 000.91.30.151 | Torx screwdriver T15 |
| 29 | | 000.95.11.171 | Open mouth wrench 17mm |
| 30 | | 000.95.21.103 | Closed mouth wrench 10 / 13mm |
| 31 | | 000.93.11.061 | Hexagonal socket screw wrench 6mm |
| 32 | | 000.93.11.051 | Hexagonal socket screw wrench 5mm |
| 33 | | 000.93.11.041 | Hexagonal socket screw wrench 4mm |
| 34 | F2410024 | 000.01.40.112 | MultiClip TRIO |
| 35 | F2410167 | 00.000.41.002 | Strain relief ring |
| 36 | | 000.01.10.011 | Foldable earmuff type MUSIMUFF with FM radio |
| 37 | | 000.01.10.021 | Foldable earmuff type POCKET |
| 38 | | 000.01.65.020 | Safety switch PRCD-S (for German mains supply) |
| 39 | F2410078 | 701.10.00.100 | Impact tool |
| 40 | F2410079 | 702.00.00.200 | Parquet layer tool ZUGEISEN, small |
| 41 | | 703.00.00.200 | Parquet layer tool ZUGEISEN, broad |
| 42 | | 000.01.20.010 | Respiratory protection mask P3 |
| 43 | | 900.70.56.100 | Cable support bracket |
| 44 | F2410162 | 100.20.26.100 | Cable support, complete |



Cluide, Dunleer, Co. Louth
A92 V8YN
Phone: 00 353 41 686 1000
Fax: 00 353 41 686 2909
Email: sales@wrg.ie
www.wrg.ie