

Point-of-sale system **AnyShop D5**



User's manual

-Table of Contents-

POSBANK USER'S MANUAL REVISION HISTORY	4
PREFACE	5
SYMBOL; MARK	6
COPYRIGHT	7
WARRANTY	8
SAFETY INSTRUCTIONS	9
NOTICE	10
LIABILITY LIMITATION	11
INSTALLATION RECOMMENDATIONS	12
1.PRODUCT OVERVIEW	13
(1) INSIDE YOUR PACKAGE	13
(2) PRE-INSTALLATION PREPARATION	15
(3) PRODUCT OUTLINE	15
(4) CONFIGURATION	16
(5) I/O PORT: DETAILS	18
(6) INSTALLATION OF OPTIONAL DEVICES: 2ND DISPLAY	19
(7) SETTING UP: KEYBOARD & MOUSE CONNECTION	21
(8) SETTING UP: CONNECTION USB PORT	22
(9) SETTING UP: CONNECTION VIA ETHERNET PORT (LAN)	23
(10) SETTING UP: LINE-OUT, MIC-IN, LINE-IN CONNECTION	24
(11) SETTING UP: POWER CABLE CONNECTION	25
(12) SWITCHING ON POS	26
(13) SHUTTING DOWN POS	27
(14) SYSTEM DRIVERS	28
2.MOTHERBOARD	29
(1) MOTHERBOARD OVERVIEW	29
(2) MOTHERBOARD LAYOUT	30
(3) SIDE USB BOARD	32
(4) POWER SWITCH BOARD	33
(5) DRAWER KICKER BOARD	34
(6) DRAWER PORT BOARD	35
(7) HARNESS	36
(8) JUMPERS	45
3.BIOS SETUP UTILITY	48
(1) MANAGING AND UPDATING YOUR BIOS	48
(2) BIOS SETUP PROGRAM	49
(3) MAIN SETUP	51
4.TROUBLESHOOTING	70
(1) NETWORK ISSUES	70
(2) MSR ISSUES	70
(3) USB ISSUES	70
(4) LCD ISSUES	70
(5) TOUCH-SCREEN ISSUES	71
(6) POWER ISSUES	71
(7) PS/2 KEYBOARD ISSUES	71
(8) BOOTING ISSUES	71
5.MAINTENANCE	72
ANYSHOP MODULE POS SYSTEM REPLACEMENT	73
(1) SEPARATING LCD MODULE	73
(2) SEPARATING MSR MODULE	76
(3) SEPARATING HINGE MODULE	77
(4) SEPARATING BACK COVER	78
(5) SEPARATING CUSTOMER DISPLAY(CDP)	79
(6) SEPARATING MOTHERBOARD	80
(7) MOTHERBOARD REPLACEMENT	80
(8) HEAT SINK REPLACEMENT	80
(9) MEMORY REPLACEMENT	80
(10) SEPARATING USB PCB	89
(11) SEPARATING SSD	90
SPECIFICATION	91

Specifications and information contained in this manual are furnished for informational use only, and are subject to change at any time without notice.

The information contained in this document is subject to change without notice.

We make no warranty of any kind with regard to this material, including, but not limited to, the implied warranties of merchantability and fitness for a particular purpose. We shall not be liable for errors contained herein or for incidental or consequential damages in connection with the furnishing, performance, or use of this material.

This document contains proprietary information that is protected by copyright. All rights are reserved.

No part of this document may be photocopied, reproduced or translated to another language without the prior written consent of the manufacturer.

POSBANK User's manual Revision History

Changes to the AnyShop D5 User's manual are listed below.

Rev No.	Revision History	Date /author
PBUM-005E(Rev001;130322)	New	2013.03.22

Preface

This User's Guide gives information about main unit/IO port layout, basic setup, component installation, and board layout for point of sale system "AnyShop"

Intended Audience

The User's Guide is intended for technically qualified personnel.

It is not intended for general audiences.

5

Document Organization

The chapters in this Product User's manual are arranged as follows:

1. product package contents
2. system configuration
3. Harness (cable connector)
4. BIOS Setup
5. Installing and Replacing POS SYSTEM Components: instructions on how to install the motherboard and other POS hardware components.
6. Product specification

SYMBOL; MARK



CE MARK

This device complies with the requirements of the EEC directive 2004/108/EC with regard to "Electromagnetic compatibility" and 2006/95/EC "Low Voltage Directive."



FCC

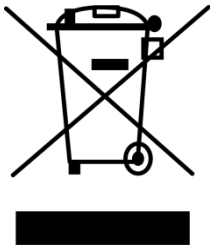
This device complies with part 15 of the FCC rules. Operation is subject to the following two conditions:

- (1) This device may not cause harmful interference.
- (2) This device must accept any interference received, including interference that may cause undesired operation.



KC

Korea Certification mark.
Certificate No. **PBS-AnyShop-D5(A)**



Recycling and disposal of electric and electronic devices and their components

This product should not be mixed with other commercial wastes for disposal.

Copyright

This publication, including all photographs, illustrations and software, is protected under international copyright law with all rights reserved to the manufacturer. Neither this manual, nor any of the material contained herein, may be reproduced without express written consent of the author.

AnyShop and POSBANK are trademarks of POSBANK Co., Ltd. in the United States and other countries.

* Other names and brands may be claimed as the property of others.

Copyright© POSBANK Co., Ltd. All rights reserved.

Warranty

We guarantee our POS terminal product and its parts against defects in materials and workmanship, under proper use, for a standard period of 2 years from the original date of purchase.

During this period, we will repair or replace defective and/or faulty products or parts without charge to the customer for parts and labor.

The 1st year includes servicing and new or refurbished replacement parts free of charge, with one-way shipping costs borne by the seller. The customer shall, however, be responsible for the return delivery costs. The 2nd year also includes free of charge servicing and parts, but a limited warranty requires the entire shipping cost to be borne by the customer.

Products out of the warranty period or scope shall be diagnosed at the customer's expense.

In the case of product damage due to error on part of the consumer, incorrect usage, carelessness or natural phenomenon, the customer shall bear the full cost for both repair and delivery.

Safety Instructions

1. To disconnect the machine from the electrical power supply, turn off the power switch and remove the power cord plug from the wall socket.
2. The wall socket must be easily accessible and in close proximity to the machine.
3. Read these instructions carefully. Save these instructions for future reference.
4. Follow all warnings and instructions marked on the product.
5. Do not use this product near water.
6. Do not place this product on an unstable cart, stand, or table. The product may fall, causing serious damage to the product.
7. Slots and openings in the cabinet and the back or bottom are provided for ventilation to ensure reliable operation of the product and to protect it from overheating. These openings must not be blocked or covered.
8. The openings should never be blocked by placing the product on a bed, sofa, rug, or other similar surface.
9. This product should never be placed near or over a radiator or heat register or in a built-in installation unless proper ventilation is provided.
10. Never push objects of any kind into this product through cabinet slots as they may touch dangerous voltage points or short out parts that could result in a fire or electric shock. Never spill liquid of any kind on the product.

Notice

1. Always ensure that the correct power voltage is used as a precaution against fire and electrical shock.
2. Avoid exposing product to direct sunlight. Do not use product in areas of high humidity. Doing so may cause low reliability and/or operational malfunction.
3. Be careful of static electricity on PCB of system with anti-static appliances. Doing so may cause inferior reliability and shorted product life.
4. Keep product away from highly static areas. This may lead to inferior performance and reduced life cycle.
5. Do not interfere with, or obstruct metal components inside product. Doing so may cause the risk of fire or electric shock.
6. Do not pull on power cable or peripheral devices' connector cable. Doing so may cause fire, electric shock or electronic system malfunction.
7. Use caution when around other electronic devices with possible high frequency or electro-magnetic effects e.g. Audio, Electronic-range etc. Doing so will lead to the serious risk of product malfunctioning or a system error occurring.
8. Ensure that batteries are replaced correctly. Failure to do this may result in sudden explosions.
9. Dispose of used batteries properly according to the instructions.

Liability Limitation

• Installation and maintenance

We recommend that you inquire about product installation, maintenance and repair service from the official service center and agent office.

POSBANK takes no responsibility for malfunctions or system errors occurring after service and/or system check carried out by unofficial service providers.

• High frequency appliances

This product is qualified by FCC, CE and KC compliances, and is thus governed by these qualifications' safety regulations.

However, the product can affect and be affected by other high frequencies generated around it. As such, POSBANK does not consider liability for any system error or disorder due to this issue.

• Electronic noise emitting equipment

We recommend using the product away from electronic noise emitting equipment such as heaters, motors, fluorescent lights, TVs etc. as it may cause interruption or interference with normal operation.

• Installation location

For optimal performance, the product should be kept in an environment of lower than 65% humidity and in a temperature of 10 ~ 30°C. Please also keep away from direct sun-light.

• Cleaning procedure

Cleaning with chemical based products (in particular those containing benzyl or chemical thinning agents) can damage the exterior surfaces of the product. We recommend using a soft damp cloth and wiping gently, taking particular care when dealing with the LCD display screen.

• Product limitations

1. The use of this product for anything other than POS tasks is strictly prohibited.
The product is not supported for regular PC and interface operation.
2. This product is for business use only, and not for usage in the home.
3. Both hardware and software are both fully configured.
4. Normal operating is guaranteed on a steady power connection.

Installation Recommendations

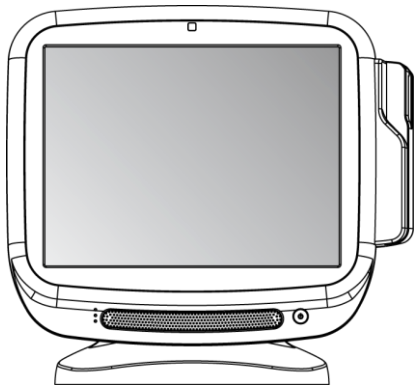
1. Avoid installing during thunderstorms. (Possibility of dangerous exposure to electricity.)
2. Install away from damp spaces or water-leaks.
3. Beware of static occurrence during installation.
4. Use only ground connected and quality certified power cords and cables.
5. Keep out of direct sun-light, extremely high or low temperatures, or high humidity areas.
6. Install product away from areas prone to shocks or vibration.
7. Install product away from sewing machines, welding equipment, electric stoves, audio equipment and other high frequency generating equipment.
8. Installation and use in close proximity to an air-conditioning unit is not recommended.
9. Do not connect cables underneath carpets or floorboards.
10. Only use power cables supplied by pre-approved and certified vendors.
11. Never use power cords from high power source appliances.
e.g. Electronic heaters, Electric stoves, Audio equipment, Air-conditioners, Refrigerators etc.
12. The use of multiple connections in a shared power outlet/socket is not recommended.

1. Product Overview

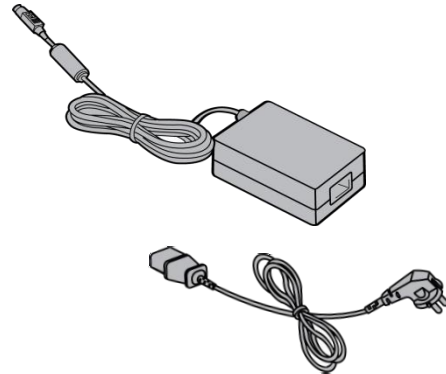
(1) Inside Your Package

1. Please check your package and confirm its contents.
2. The POS terminal main unit, power cable, user manual and driver CD are included in the package. If any items are missing or damaged, please contact your dealer for assistance.
» All user manuals and drivers are available for download on our website: www.easysset.org

AnyShop Main unit



Adapter / Power cord



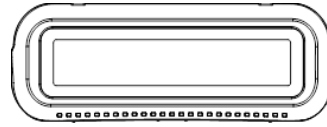
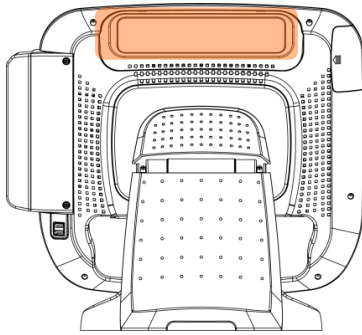
Installation guide



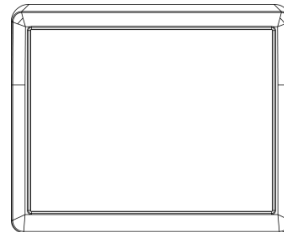
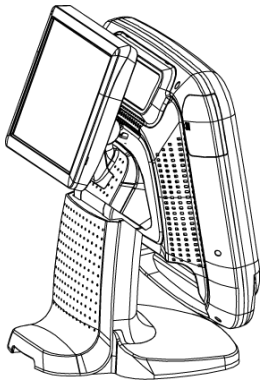
Drivers CD



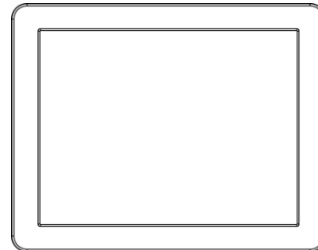
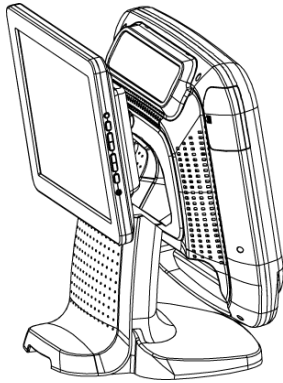
Optional Devices: CDP (Customer display)



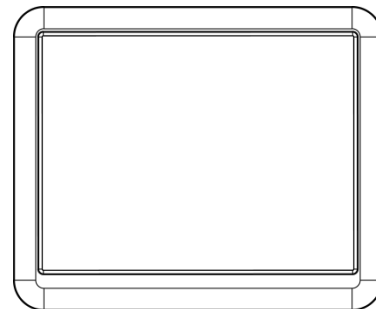
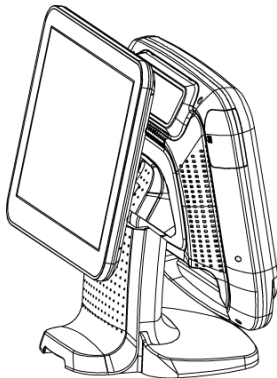
Optional Devices: 2nd LCD monitor 10.1"



Optional Devices: 2nd LCD monitor 12.1"



Optional Devices: 2nd LCD monitor 15.1"



(2) Pre-installation Preparation

1. Remove protective film from touch-screen to prevent possible operating difficulties.
2. Attach all optional parts before setting up the main POS unit.

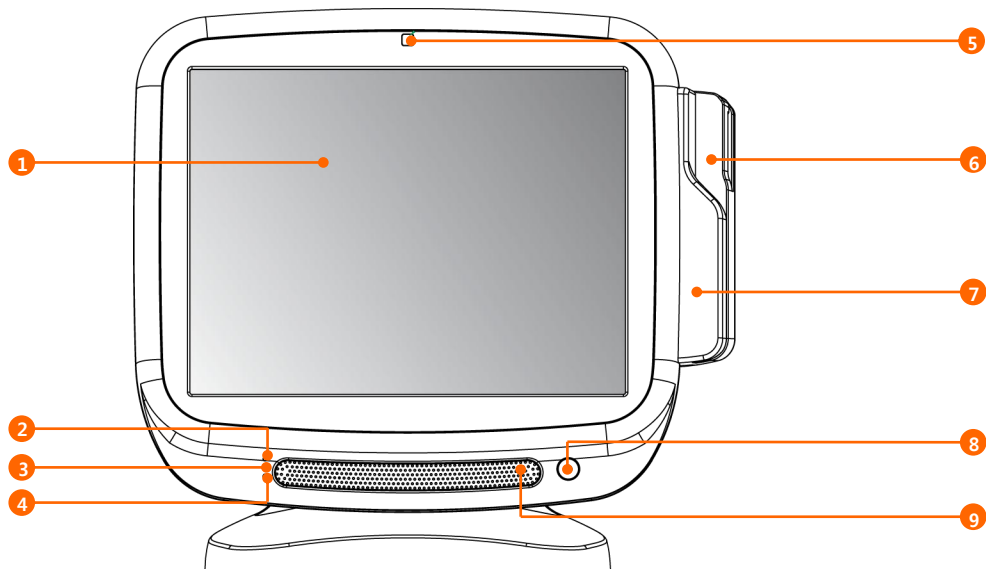
(3) Product Outline

- Each part of product may differ depending on the specific POS model.
- Model-specific data sheets are provided on our website at www.easysset.org

(4) Configuration

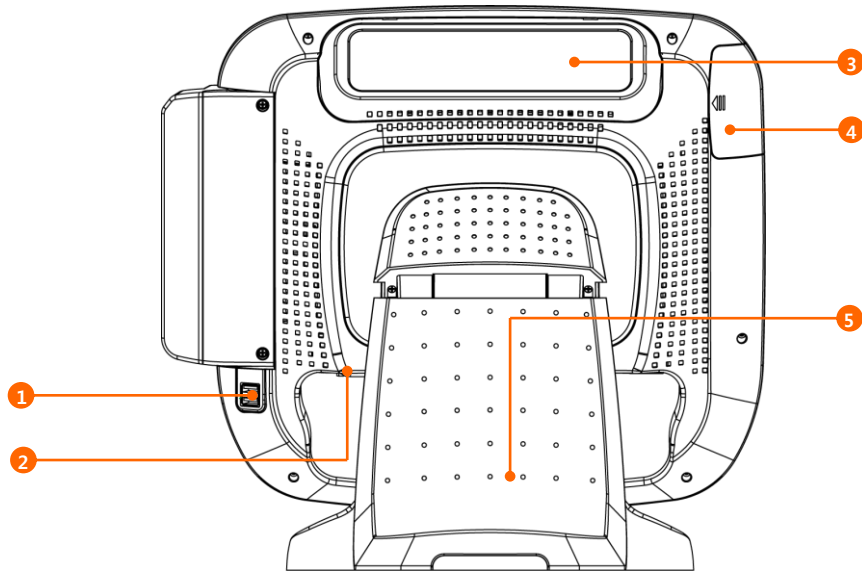
Refer to following diagram to identify the components on this side of the system.

Front view



1. LCD & Touch panel display
2. Power LED
3. HDD LED
4. LAN LED
5. Camera
6. Smart card reader(SCR); Option
7. Magnetic stripe reader(MSR)
8. Power switch
9. Dual speaker

Rear view

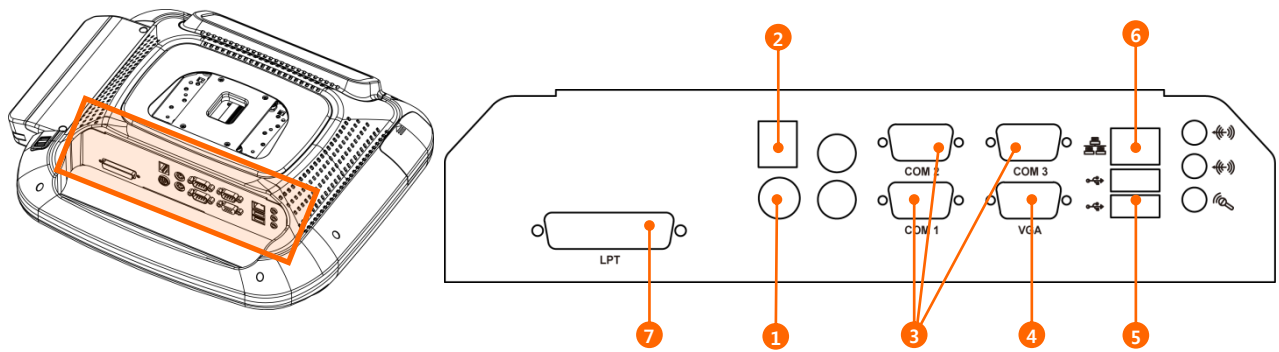


1. USB port
2. I/O port
3. Customer display; Option
4. HDD
5. Stand

(5) I/O port: Details

* I/O ports may differ according to product model or options.

I/O view



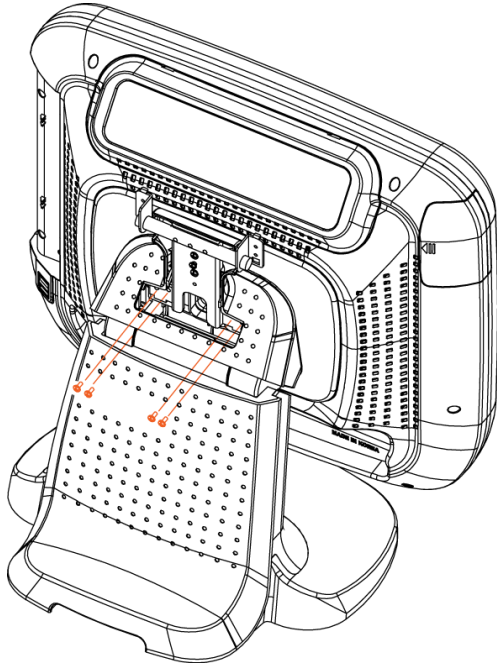
1. Power connector
2. Cash box port
3. COM1, COM2, COM3 port
4. VGA port
5. USB x 2 Ports
6. LAN Ports
7. LPT port

(6) Installation of Optional Devices: 2nd Display

* The assembling method of the 2nd Display is equal for all the products. (10.1, 12.1, 15 inch)

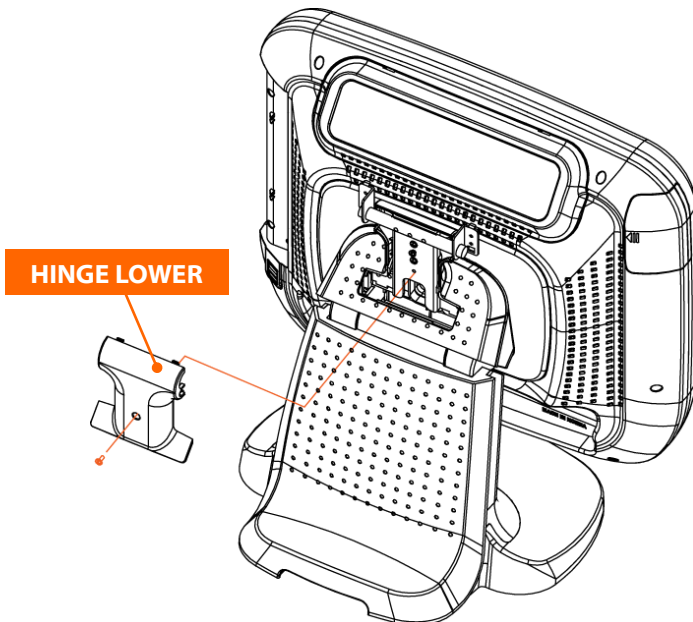
2nd Display

19



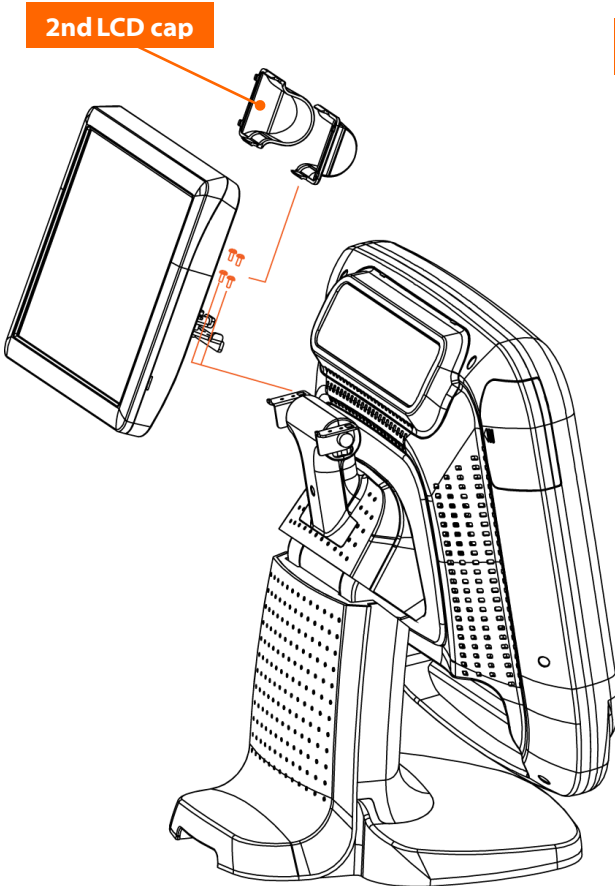
** Warning: Completely remove power cable when opening main unit or installing optional devices.*

Step 1. Assemble the 2nd MONITOR HINGE using four bolts.

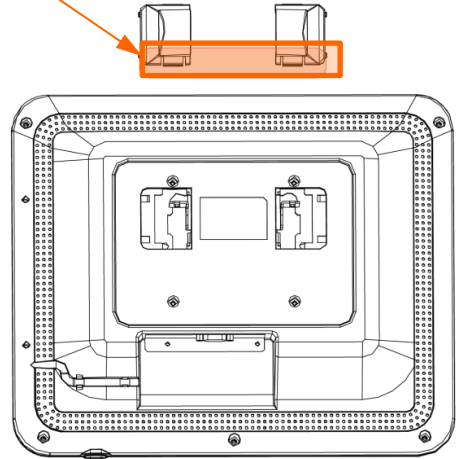


Step 2. Assemble the HINGE LOWER using one bolts.

2nd display

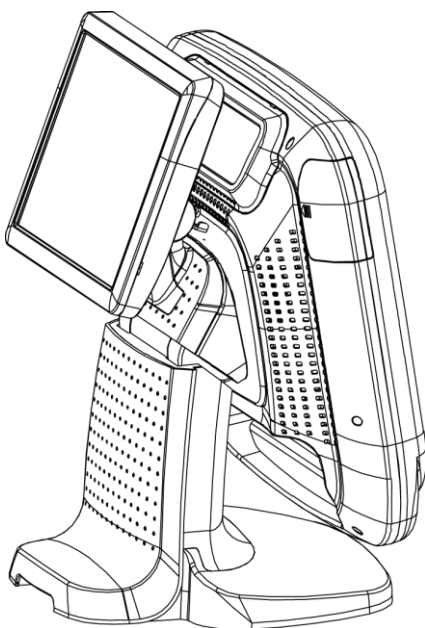


When assembling, put the grooves on the bottom.



Step 3. Fix with four bolts, after Place the 2nd MONITOR on the HINGE.

Step 4. Fix the HINGE CAP using the HOOK.

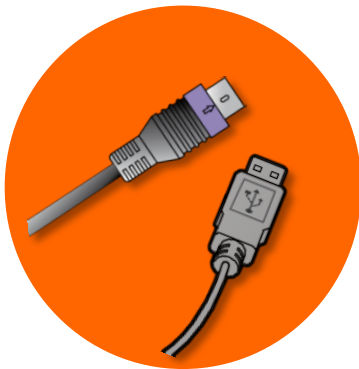
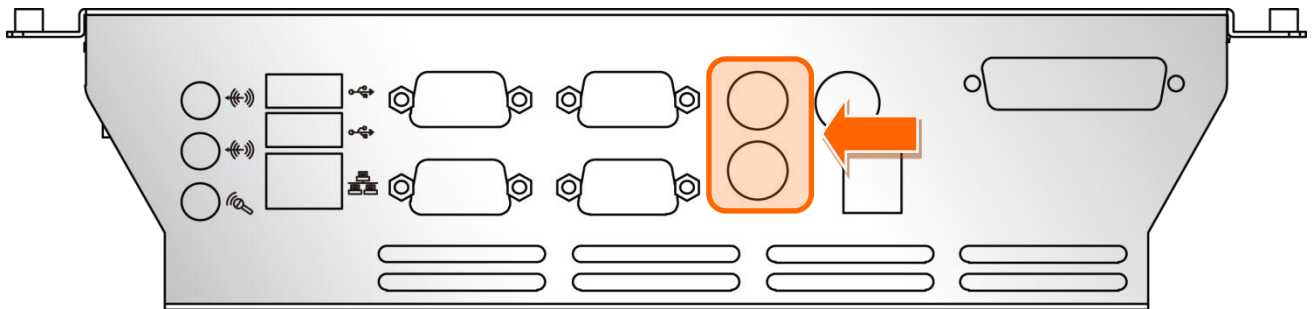


※ CAUTION

Beware of the parts where grooves are located at the bottom.

(7) Setting up: Keyboard & Mouse Connection

Connecting the keyboard and mouse to the PS/2 port on the bottom panel.
or connecting the USB type keyboard and mouse to the USB port on the bottom panel.



(8) Setting up: Connection USB Port

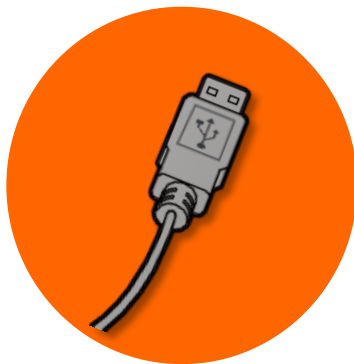
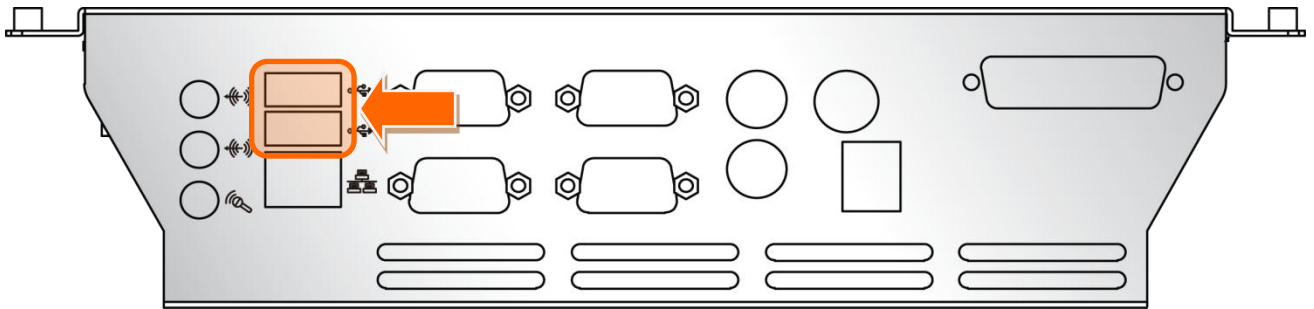
USB ports are provided in the POS unit, two at the rear I/O and two at the side, all of which support the standard USB 2.0.

Some USB devices (optional devices) are only functional with specific driver software installed.

If multiple USB devices are used together, this may result in abnormal functionality.

Using a USB hub with external adapter for supplying power is recommended.

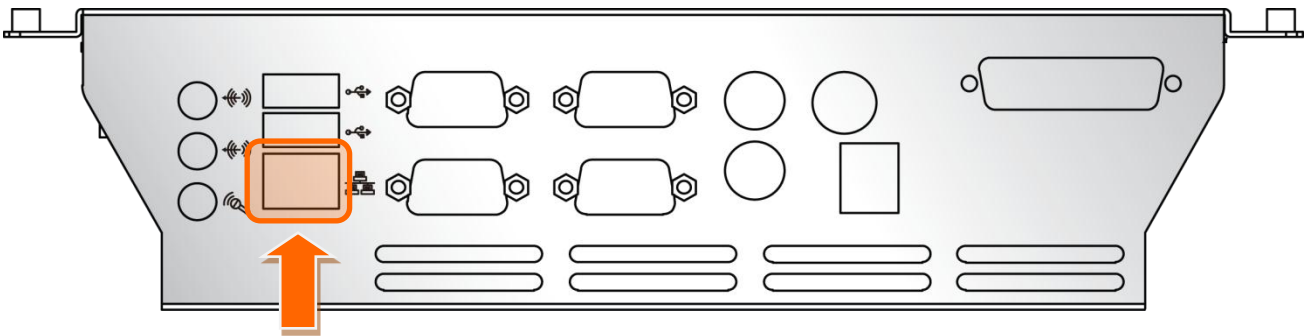
Dependent on the type of device, it is possible for the USB device to be recognized later than normal.



USB port (3port support)

(9) Setting up: Connection via Ethernet Port (LAN)

The Ethernet port located at the rear I/O supports 10/100/1000Mbps using an RJ45 connector cable. When connected properly, the LAN LED light will be switched on. Through a network hub. Refer to the table below for the LAN port LED indications.

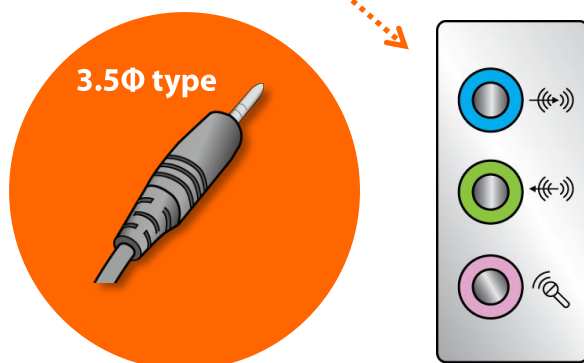
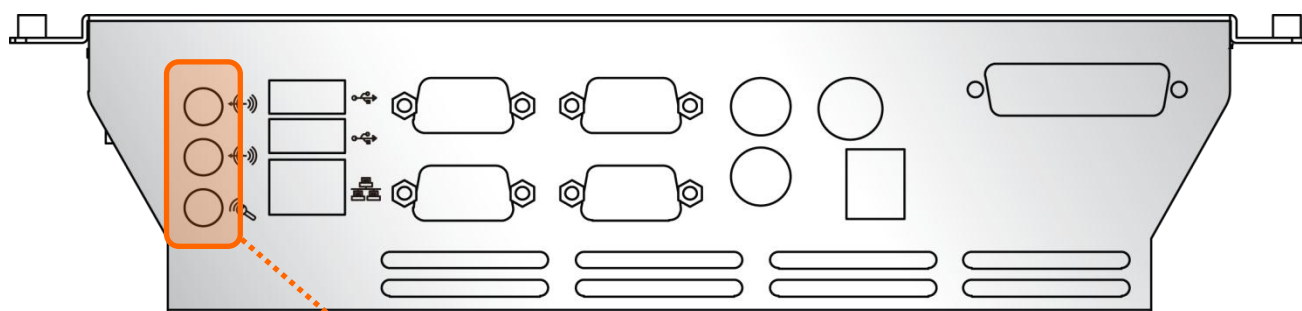


LINK/ACT LED	LINK / ACT LED		SPEED LED	
	Status	Description	Status	Description
	OFF	No link	OFF	10Mbps connection
	YELLOW	Linked	ORANGE	100Mbps connection
	BLINKING	Data activity	GREEN	1Gbps connection

(10) Setting up: Line-out, Mic-in, Line-in connection

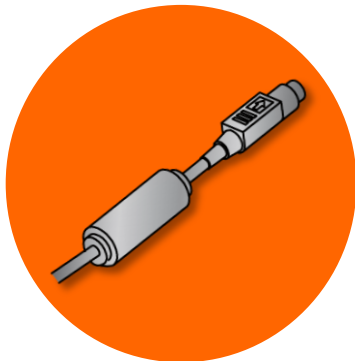
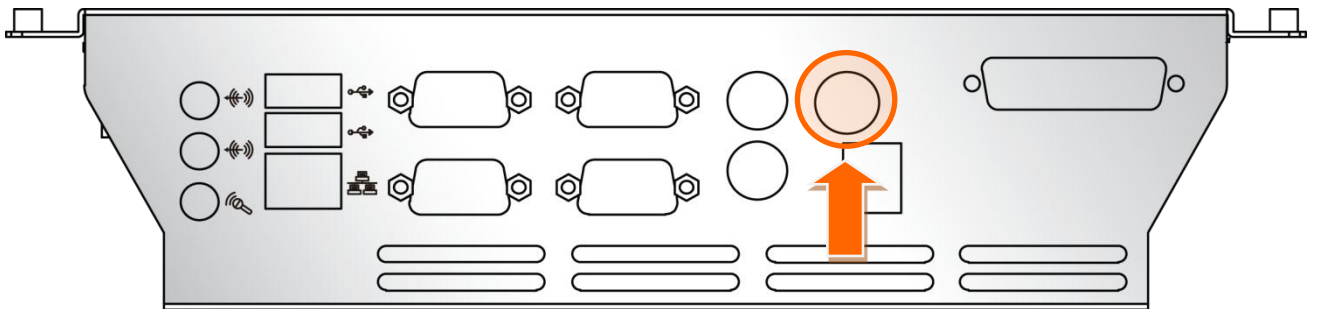
- **Line In port (light blue):** This port connects a tape, CD, DVD player, Sources.
- **Line Out port (lime):** This port connects a headphone or a speaker. In 4-channel, 6-channel and 8-channel configuration, the function of this port becomes Front Speaker Out.
- **Microphone port (pink):** This port connects a microphone.

24



(11) Setting up: Power Cable Connection

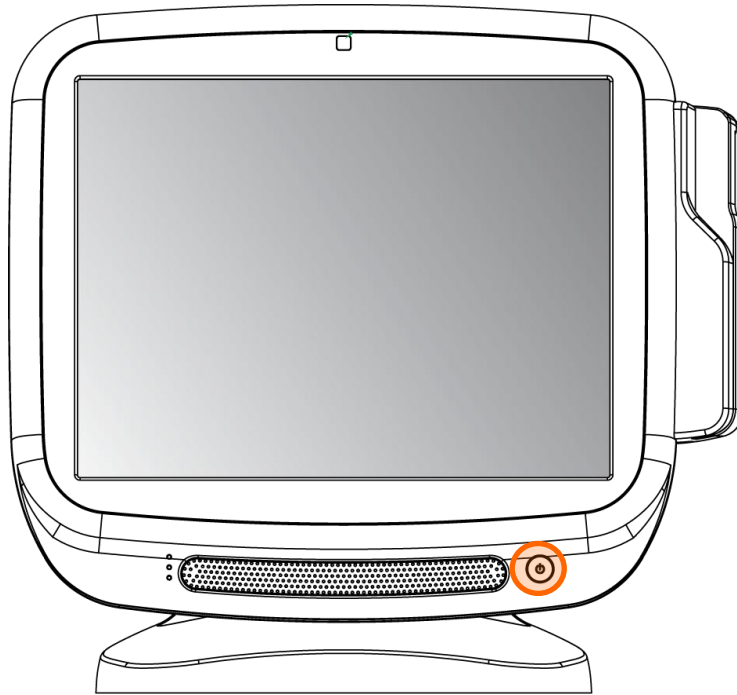
The 'AnyShop D5' POS system is equipped with a 12V, 5A power adaptor. Connect the cable to the DC-IN port on system IO panel.



CAUTION: Do not pull on the adaptor cable! Disconnect cable with pulling the plug cap.

(12) Switching On POS

1. Press POWER button on the POS unit. (POWER LED will light up.)
The power switch is located right hand side of the main body under the display unit.
2. Confirm that Windows loads correctly.



(13) Shutting Down POS

* For product stability, we recommend closing Windows from the O/S. Please make sure that you have closed all applications before closing Windows.

1. Click 'Start' and select 'Turn off Computer'
2. Click 'Shut Down' to close Windows.

(ex: POSReady2009 or Windows XP)



(14) System Drivers

Please visit our website: www.posbank.com for the latest driver updates.

Supported devices: Cash drawer, CDP (Customer Display Panel), MSR (Magnetic Swipe Reader) and printer.

Driver installation

- **Installation method :**

Driver will automatically install by clicking SETUP.EXE in your driver CD.

If you require any help with installing or using our OPOS system, please contact our customer service center.

- **Folder of contents of POS terminal installation driver:**

1. CHIP SET DRV installation
2. VIDEO (VGA) DRV installation
3. TOUCH DRV installation
4. AUDIO DRV installation method
5. LAN DRV installations
6. AMT & ME Driver installation
7. User's Manual, Installation guide

2. Motherboard

(1) Motherboard Overview

This includes description of the jumpers and connectors on the motherboard.

Warning

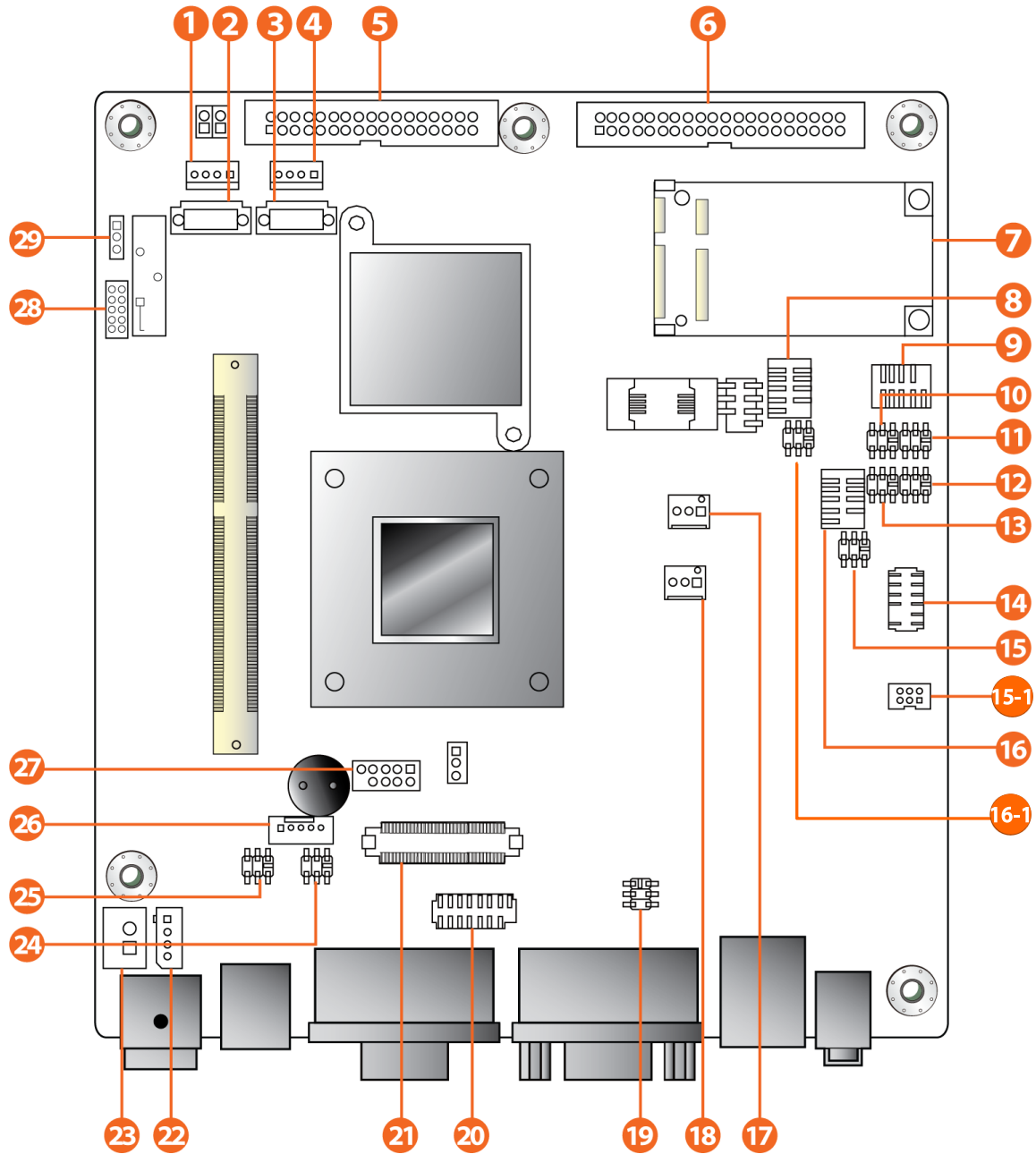
Take note of the following precautions before you install motherboard components or change any motherboard settings.

1. Unplug the power cord from the wall socket before touching any component.
2. Before handling components, use a grounded wrist strap or touch a safely grounded object or a metal object, such as the power supply case, to avoid damaging them due to static electricity.
3. Hold components by the edges to avoid touching the ICs on them.
4. Whenever you uninstall any component, place it on a grounded antistatic pad or in the bag that came with the component.
5. Before you install or remove any component, ensure that the ATX power
6. Supply is switched off or the power cord is detached from the power supply. Failure to do so may cause

(2) Motherboard Layout

This includes description of the jumpers and connectors on the motherboard.

Motherboard view



NO Description

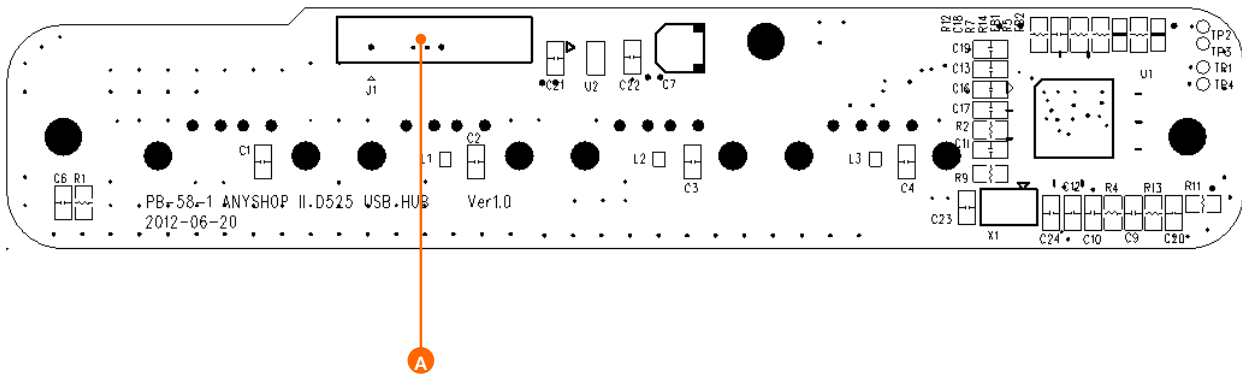
1. SATA_PWR_CN2
2. SATA 2
3. SATA 1
4. SATA_PWR_CN1
5. J1
6. J2
7. Mini PCIe slot
8. COM 6
9. COM 5
10. JCOMPWR2
11. JCOMPWR3
12. JCOMPWR1
13. COMPSEL5
14. CN15
15. COMPSEL4
- 15-1. JAMP1
16. COM 4
- 16-1. COMPSEL6

NO Description

17. SYS_FAN
18. CPU_FAN
19. COMPSEL3
20. VGA 1
21. LVDS1
22. CN29(12V DC)
23. CN30(24V DC)
24. COMP1SEL2
25. COMP1SEL1
26. VP1(Inverter)
27. F-Panel1
28. GPIO1
29. CMOS1

(3) Side USB Board

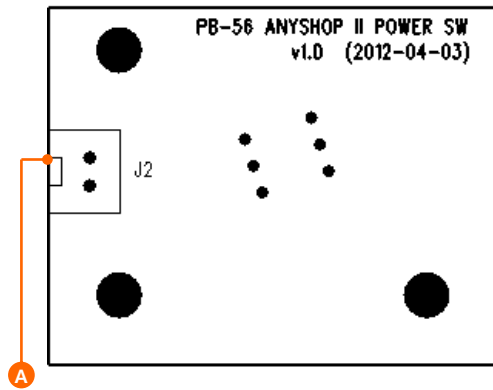
Side USB Board Connector Description



A. To Motherboard USB

(4) Power Switch Board

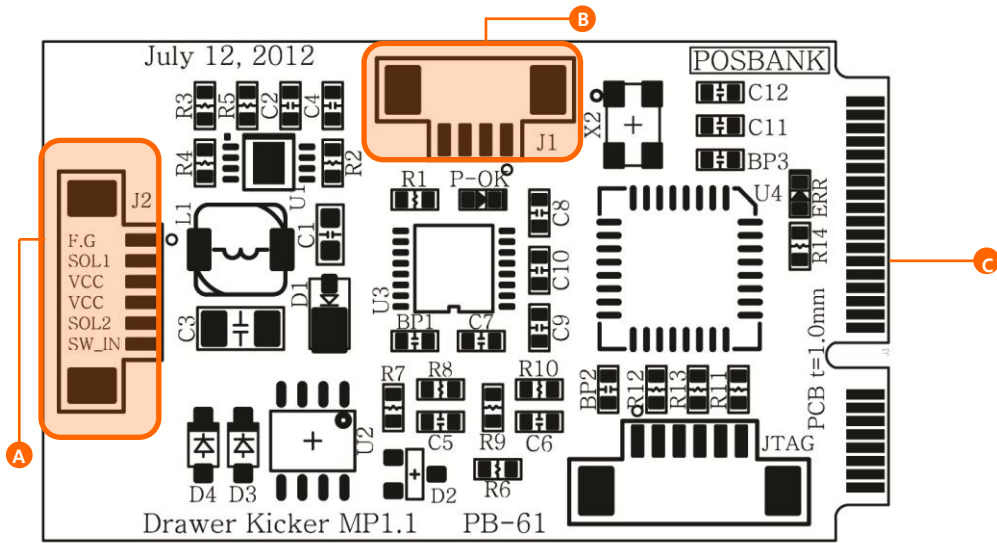
Power Switch Board Connector Description



-
- A. Power switch

(5) Drawer Kicker Board

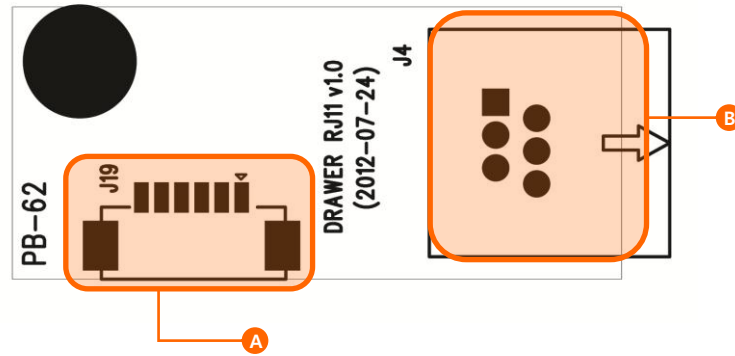
Drawer Kicker Board Connector Description



- A. Drawer Port
- B. Serial Port
- C. Mini PCIe Slot

(6) Drawer Port Board

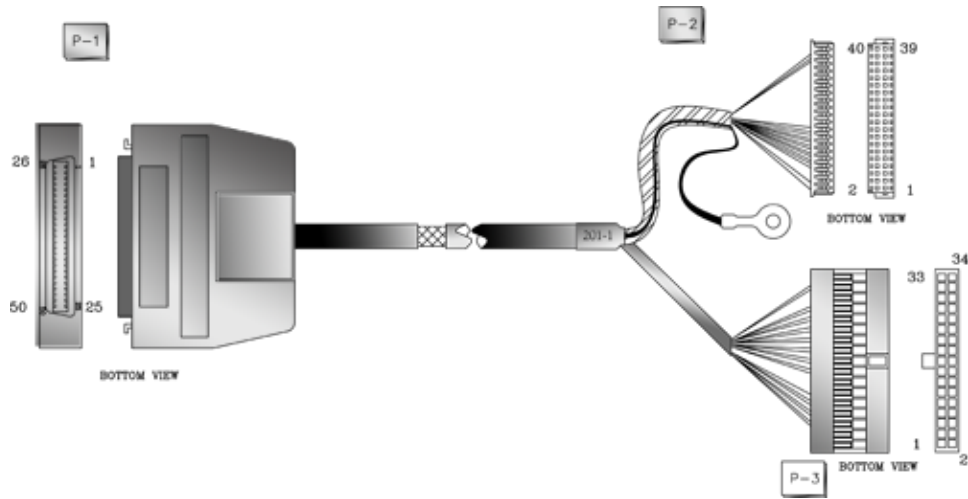
Drawer Port Board Connector Description



- A. From Drawer Kicker
- B. Cash Drawer port

(7) Harness

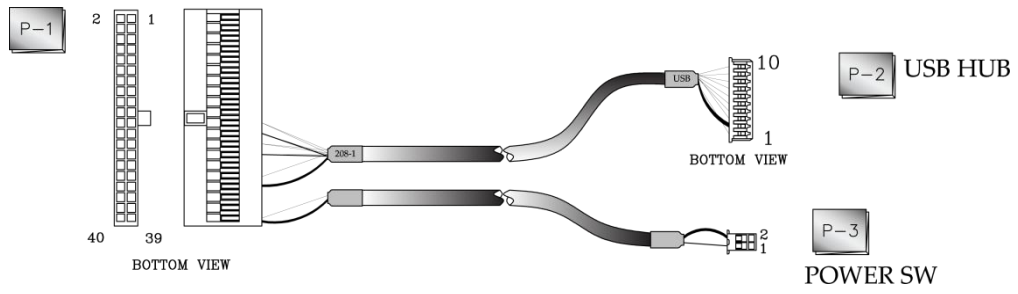
201 Cable view



36

#201-1 Cable	System	Connector	Note
P-1	Monitor	SCSI Connector	
P-2	Motherboard	LVDS1	LVDS
P-3		J1	Inverter, Touch, MSR

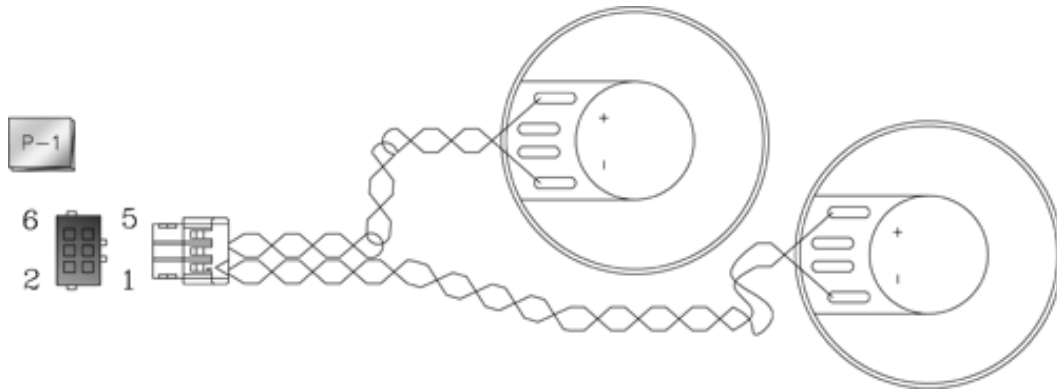
#208-1 J2 Cable



37

#208-1 J2 Cable	System	Connector	Note
P-1	Motherboard	J2	Power switch, Side USB
P-2	Side USB	A	USB ports
P-3	PB-56 Power sw	A	Power switch

#83-3 Speaker cable view



38

#83-3 Cable	System	Connector	Note
P-1	Motherboard	JAMP1	Audio

#138-1 HDD power cable view



#138-1 Cable	System	Connector	Note
P-1	Motherboard	SATA PWR CN1	
P-2	HDD	SATA Power	

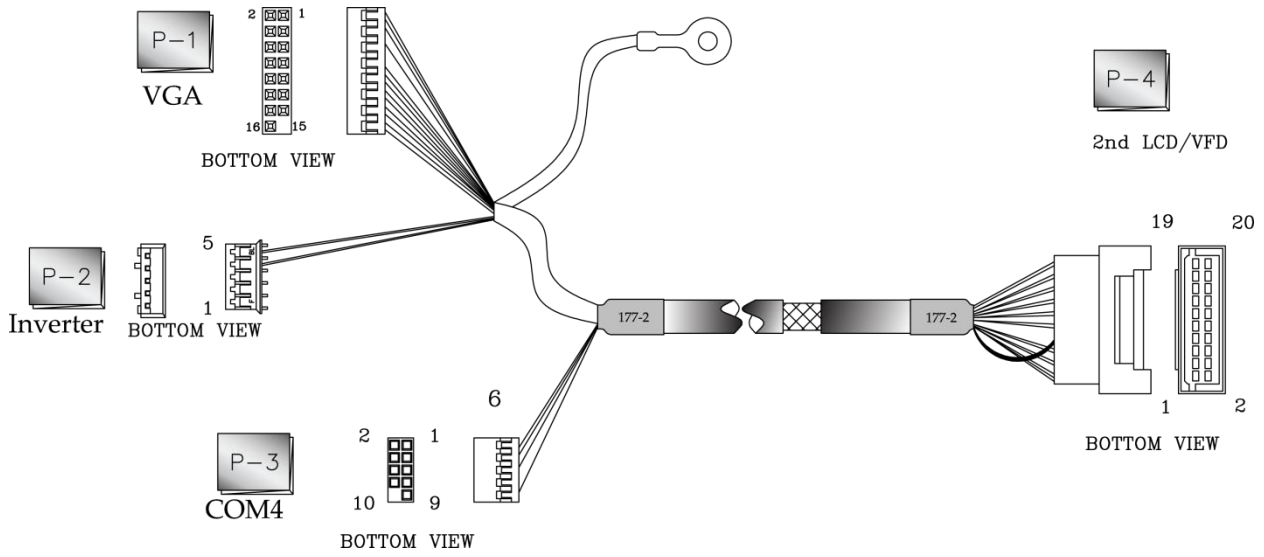
#198-1 SATA Data cable view



39

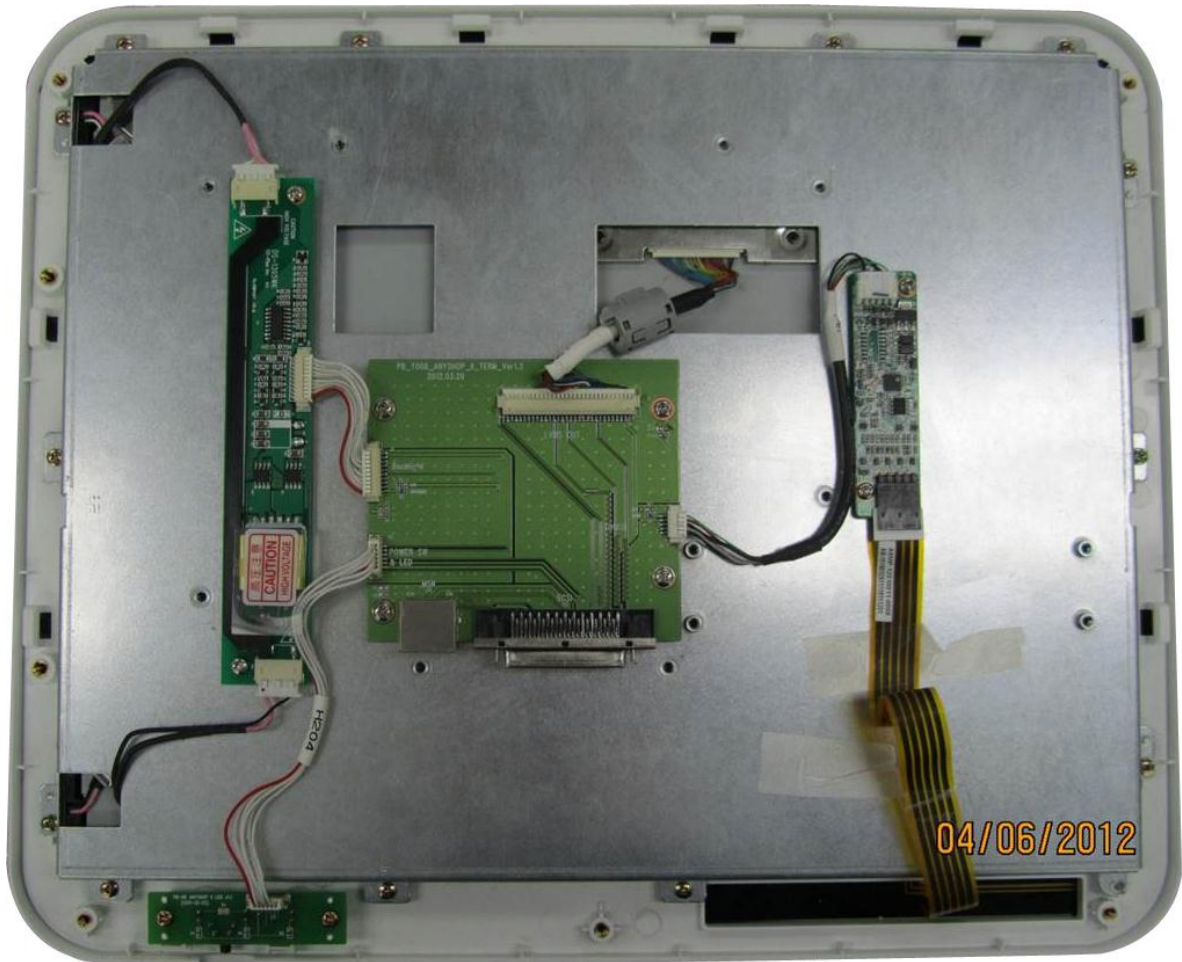
#198-1 Cable	System	Connector	Note
P-1	Motherboard	SATA DATA I	SATA 1
P-2	HDD	SATA DATA	

#177-2 2ndDisplay cable



#177-2 Cable	System	Connector	Note
P-1	Motherboard	VGA1	
P-2	Motherboard	VP1	2nd Display Power
P-3	Motherboard	COM4	
P-4	2nd Diaplay		2nd Display or CDP

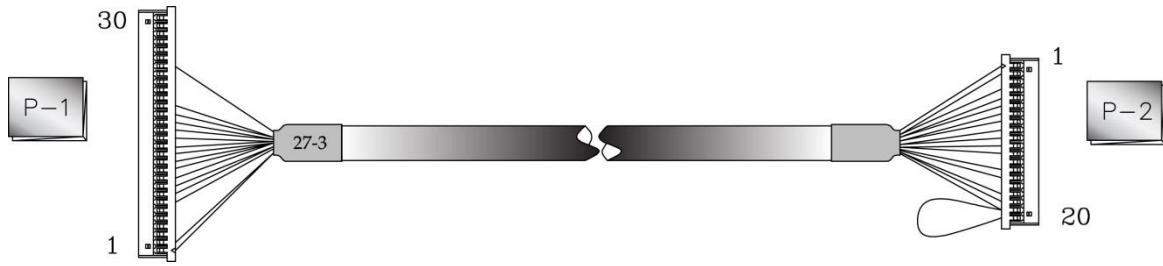
Monitor Harness



41

Label	Description	Label	Description
A	27-3	C	207
B	19-1	D	137
	LVDS		LED
	Touch		Inverter

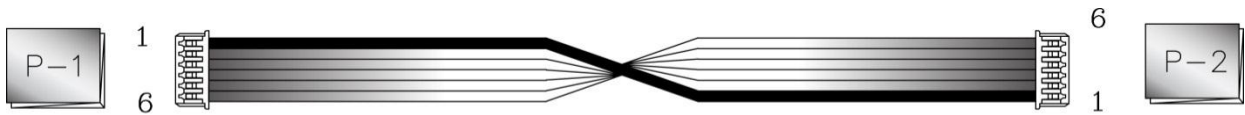
#27-3 LVDS



#19-1 Touch



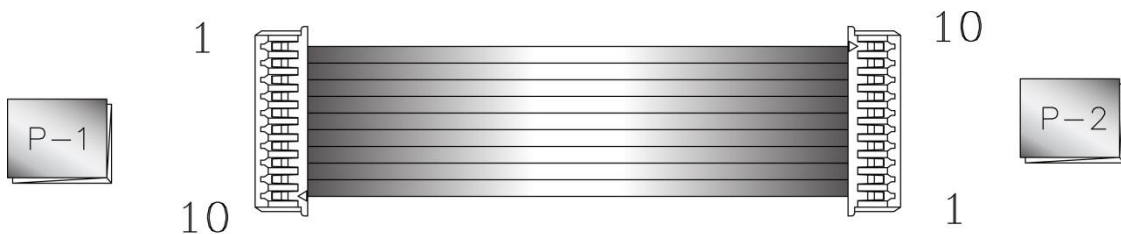
#207 LED



Monitor Term

LED, POWER SW

#137 Inverter



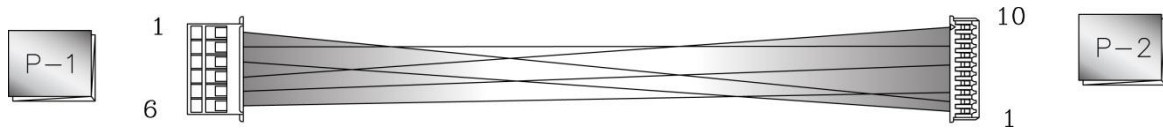
Monitor Term

Inverter



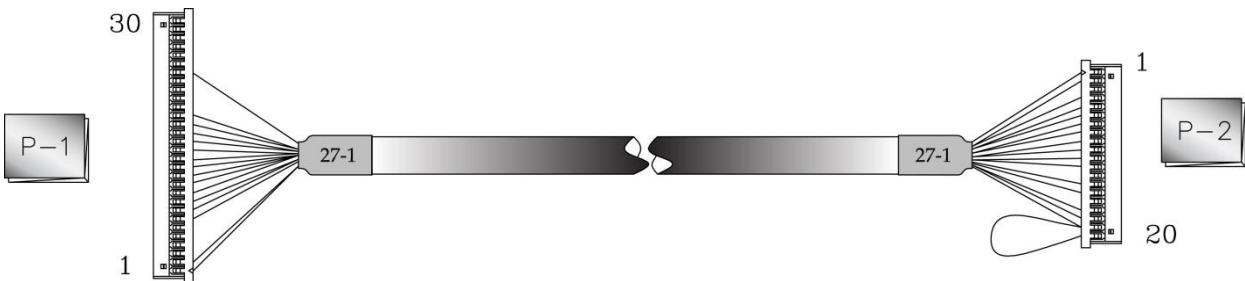
Label	Description	Label	Description		
A	6-2	Inverter	C	32-3	VGA & 12V DC
B	27-1	LVDS			

#6-2 Inverter

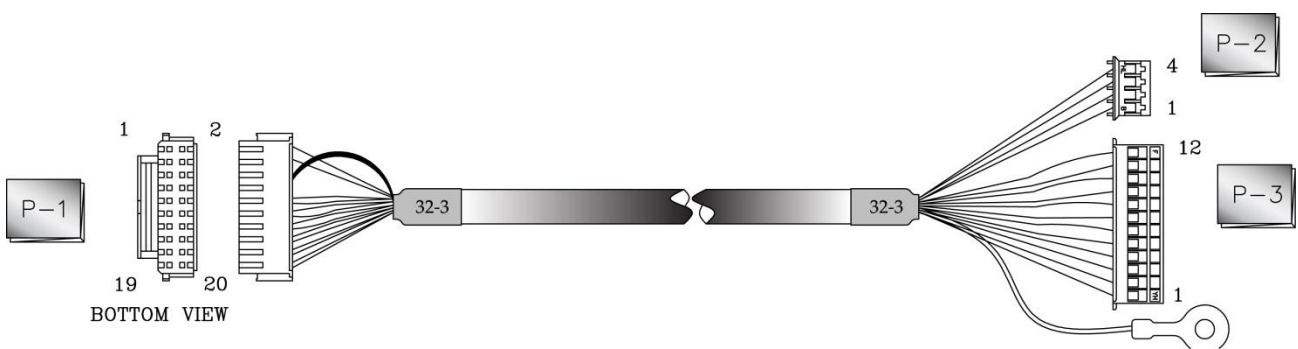


44

#27-1 LVDS



#32-3 VGA, 12V DC



(8) Jumpers

Clear RTC RAM (CLRRTC)

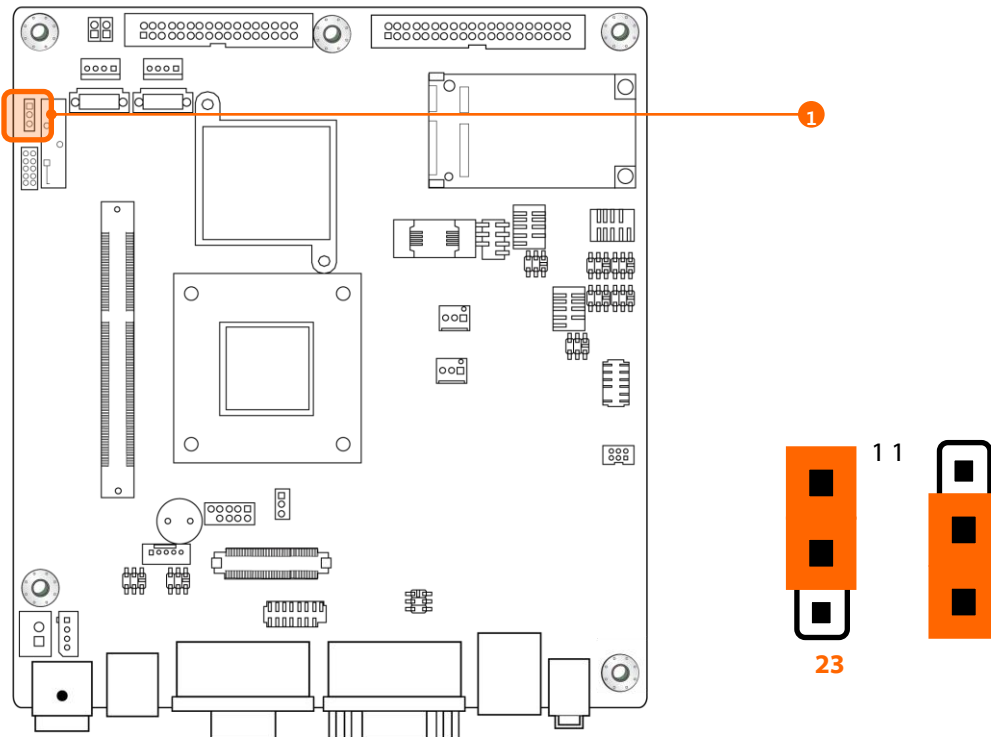
This jumper allows you to clear the Real Time Clock (RTC) RAM in CMOS. You can clear the CMOS memory of date, time, and system setup parameters by erasing the CMOS RTC RAM data. The onboard button cell battery powers the RAM data in CMOS, which include system setup information such as system passwords.

To erase the RTC RAM:

1. Turn OFF the computer and unplug the power cord.
2. Remove the onboard battery.
3. Move the jumper cap from pins 1-2 (default) to pins 2-3. Keep the cap on pins 2-3 for about 5~10 seconds, then move the cap back to pins 1-2.
4. Re-install the battery.
5. Plug the power cord and turn ON the computer.
6. Hold down the key during the boot process and enter BIOS setup to re-enter data.

CAUTION: Except when clearing the RTC RAM, never remove the cap on CLRRTC jumper default position. Removing the cap will cause system boot failure!

Clear RTC RAM (CLRRTC)



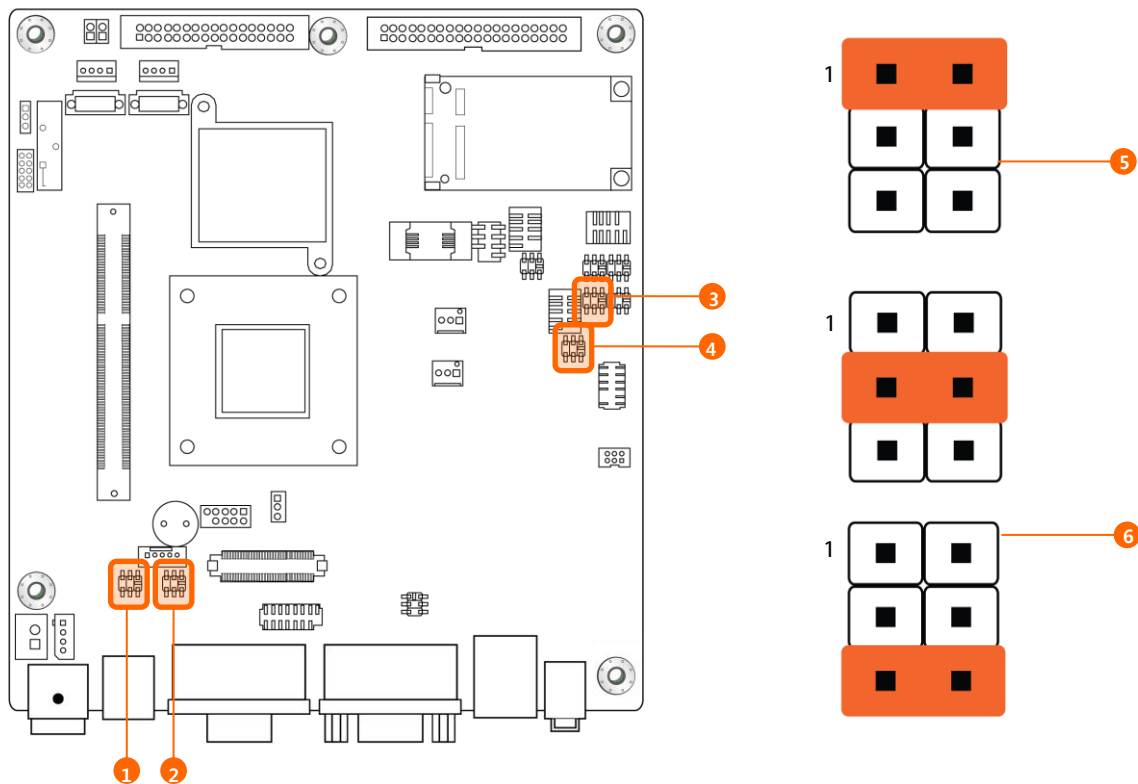
1. Clear RTC RAM (CLRRTC)
2. Normal(Default)
3. Clear CMOS

You do not need to clear the RTC when the system hangs due to overclocking. For system failure due to over clocking, use the C.P.R. (CPU Parameter Recall) feature. Shut down and reboot the system so the BIOS can automatically reset parameter settings to default values.

COM1, 2, 3, 4, 6RI, +12V and +5V Power Select (COMP1SELx)

This jumper allows you to select COM1 RI, +5V and +12V power. Set COMP1SELx top ins 5-6 +5V power. And set COMP1SELx to pins 1-2 +12V power. Then set COMP1SELx to pins 3-4 for RI selection.

COMP1SELx

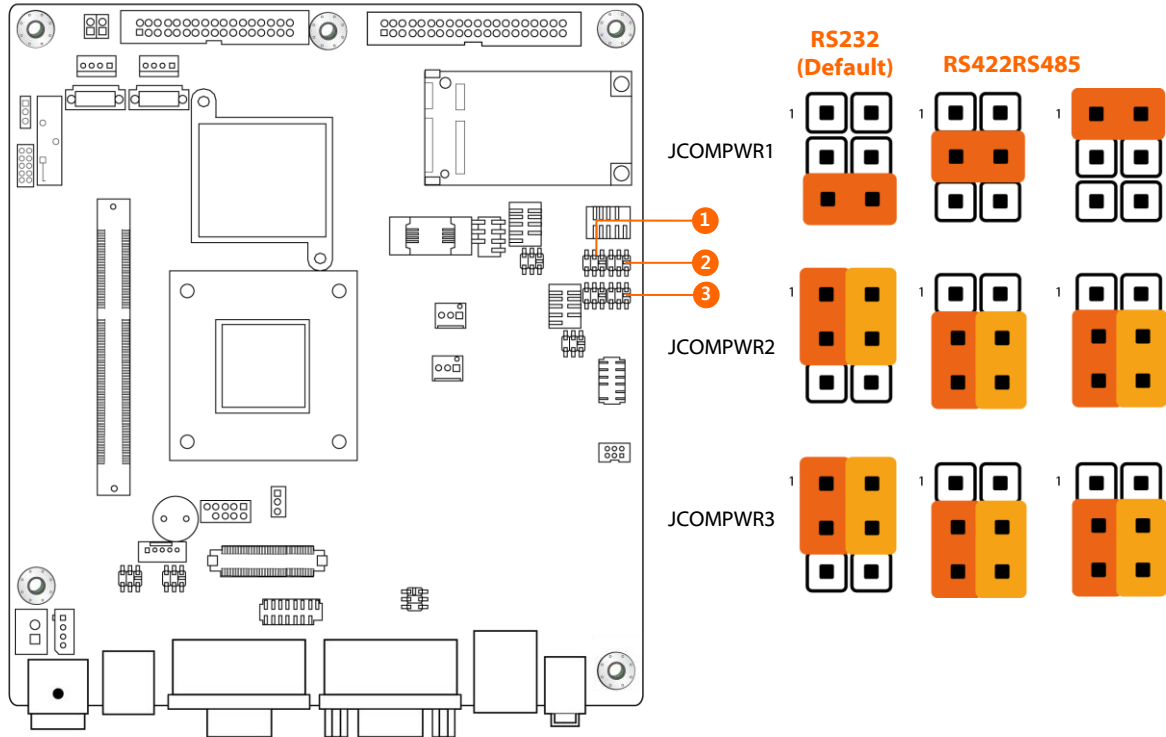


1. COMP1SEL1
2. COMP1SEL2
3. COMP1SEL5
4. COMP1SEL4
5. +12V
6. +5V

COM5RS232, RS422, RS485 Select(JCOMPWRx)

This jumper allows you to select COM5 RS232, RS422, RS485. Changing jumpers will be selected different RSxxx protocols.

JCOMPWRx



1. JCOMPWR2
2. JCOMPWR3
3. JCOMPWR1

#_ This jumper allows you to select COM5 RS232, RS422, RS485. Changing jumpers will be selected different RSxxx protocols.

3. BIOS Setup Utility

* This chapter tells how to change the system settings through the BIOS Setup menus. Detailed descriptions of the BIOS parameters are also provided.

(1) Managing and updating your BIOS

1.1 Creating a bootable floppy disk

1. Do either one of the following to create a bootable floppy disk.
 - DOS environment
 - a. Insert a 1.44MB floppy disk into the drive.
 - b. At the DOS prompt, type **Format A:/S** then press <Enter>.
 - Windows® XP environment
 - a. Insert a 1.44 MB floppy disk to the floppy disk drive.
 - b. Click **Start** from the Windows® desktop, then select **My Computer**.
 - c. Select the 3 1/2 Floppy Drive icon.
 - d. Click **File** from the menu, then select **Format**. A **Format 3 1/2 Floppy Disk** window appears.
 - e. Select **Create an MS-DOS startup disk** from the format options field, then click **Start**.
 - Windows® 2000 environment

To create a set of boot disks for Windows® 2000:

 - a. Insert a formatted, high density 1.44 MB floppy disk into the drive.
 - b. Insert the Windows® 2000 CD to the optical drive.
 - c. Click Start, then select Run.
 - d. From the Open field, type **D:\bootdisk\makeboot a:** assuming that D: is your optical drive.
 - e. Press <Enter>, then follow screen instructions to continue.
2. Copy the original or the latest motherboard BIOS file to the bootable floppydisk.

(2) BIOS setup program

This motherboard supports a programmable firmware chip that you can update using the provided utility described in section “2.1 Managing and updating your BIOS.”

Use the BIOS Setup program when you are installing a motherboard, reconfiguring your system, or prompted to “Run Setup”. This section explains how to configure your system using this utility.

Even if you are not prompted to use the Setup program, you can change the configuration of your computer in the future. For example, you can enable the security password feature or change the power management settings. This requires you to reconfigure your system using the BIOS Setup program so that the computer can recognize these changes and record them in the CMOS RAM of the firmware hub.

The firmware hub on the motherboard stores the Setup utility. When you start up the computer, the system provides you with the opportunity to run this program.

Press during the Power-On-Self-Test (POST) to enter the Setup utility; otherwise, POST continues with its test routines.

If you wish to enter Setup after POST, restart the system by pressing <Ctrl+Alt+Delete>, or by pressing the reset button on the system chassis. You can also restart by turning the system off and then back on. Do this last option only if the first two failed.

The Setup program is designed to make it as easy to use as possible. Being a menu-driven program, it lets you scroll through the various sub-menus and make your selections from the available options using the navigation keys.

-
- The default BIOS settings for this motherboard apply for most conditions to ensure optimum performance. If the system becomes unstable after changing any BIOS settings, load the default settings to ensure system compatibility and stability. Select the Load Default Settings item under the Exit Menu. See section “2.7 Exit Menu.”
 - The BIOS setup screens shown in this section are for reference purposes only, and may not exactly match what you see on your screen.
-

2.1 Legend Box

The keys in the legend bar allow you to navigate through the various setup menus.

Key(s)	Function Description
F1	General help, only for Status Page Setup Menu and Option Page Setup Menu
Esc	Return to the main menu from a sub-menu or prompts you to quit the setup program
←, →	Move to the item in the left or right hand
↑, ↓	Move to previous or next item
Enter	Brings up a selection menu for the highlighted field
+ or PgUp	Moves the cursor to the first field
- or PgDn	Moves the cursor to the last field
F5	Loads the previous values
F6, F7	Loads the fail-safe / optimized defaults
F10	Saves changes and exits Setup

2.2 List Box

This box appears only in the opening screen. The box displays an initial list of configurable items in the menu you selected.

2.3 Sub-menu

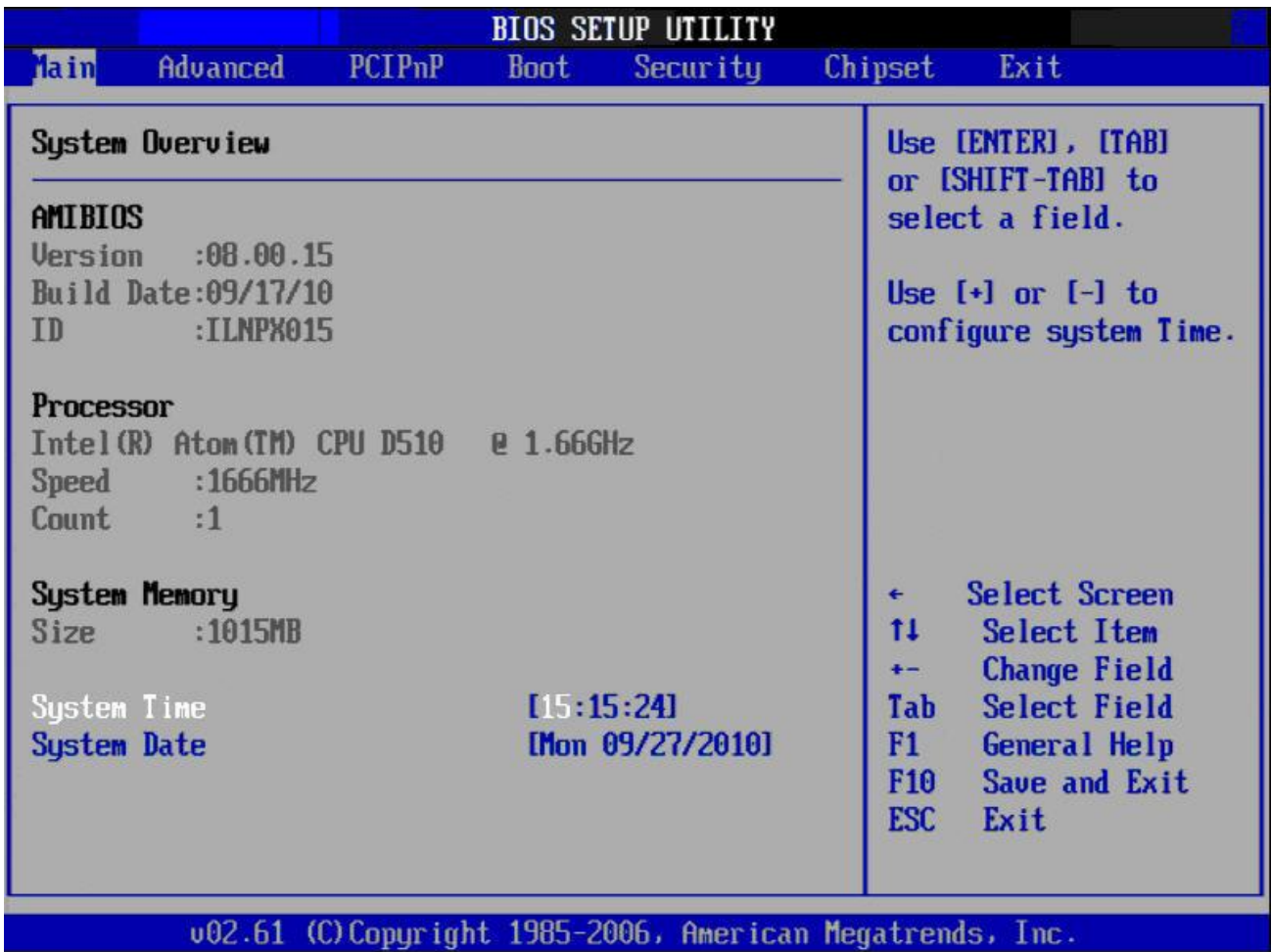
Note that a right pointer symbol () appears to the left of certain fields. This pointer indicates that you can display a sub-menu from this field. A sub-menu contains additional options for a field parameter. To display a sub-menu, move the highlight to the field and press <Enter>. The sub-menu appears. Use the legend keys to enter values and move from field to field within a sub-menu as you would within a menu. Use the <Esc> key to return to the main menu.

Take some time to familiarize yourself with the legend keys and their corresponding functions. Practice navigating through the various menus and submenus. If you accidentally make unwanted changes to any of the fields, press <F6> to load the fail-safe default values. While moving around through the Setup program, note that explanations appear in the Item Specific Help window located to the right of each menu. This window displays the help text for the currently highlighted field.

(3) Main Setup

3.1 Main Menu

Press to enter AMIBIOSCMOS Setup Utility, the Main Menu will appear on the screen. Use arrow keys to select among the items and press <Enter> to accept or enter the sub-menu.



The Main BIOS setup screen has two main frames. The left frame displays all the options that can be configured. Grayed-out options can not be configured ; options in blue can. The right frame displays the key legend. Above the key legend is an area reserved for a text message. When an option is selected in the left frame, it is highlighted in white. Often a text message will accompany it.

•System time / System date

Use this option to change the system time and date. Highlight System Time or System Date using the <Arrow> keys.

Enter new values through the keyboard. Press the <Tab> key or the <Arrow> keys to move between fields.

The date must be entered in MM/DD/YY format. The time must be entered in HH:MM:SS or mat.

3.2 Advanced BIOS Features

Select the Advanced tab from the AIMB-212 setup screen to enter the BIOS Setup screen.

You can select any of the items in the left frame of the screen, such as CPU Configuration, to go to the submenu for that item.

You can display an Advanced BIOS Setup option by highlighting it using

the<Arrow>keys. All Advanced BIOS Setup options are described in this section. The Advanced BIOS Setup screen is shown below. The submenus are described on the following pages.



3.3 CPU Configuration



- **Max CPUID Value Limit**

This item allows you to limit CPUID maximum value.

- **Execute-Disable Bit Capability**

This item allows you to enable or disable the No-Execution page protection technology.

- **Hyper Threading Technology**

This item allows you to enable or disable Intel Hyper Threading technology.

- **Intel® Speed Step™ tech**

When set to disabled, the CPU runs at its default speed, when set to enabled, the CPU speed is controlled by the operating system.

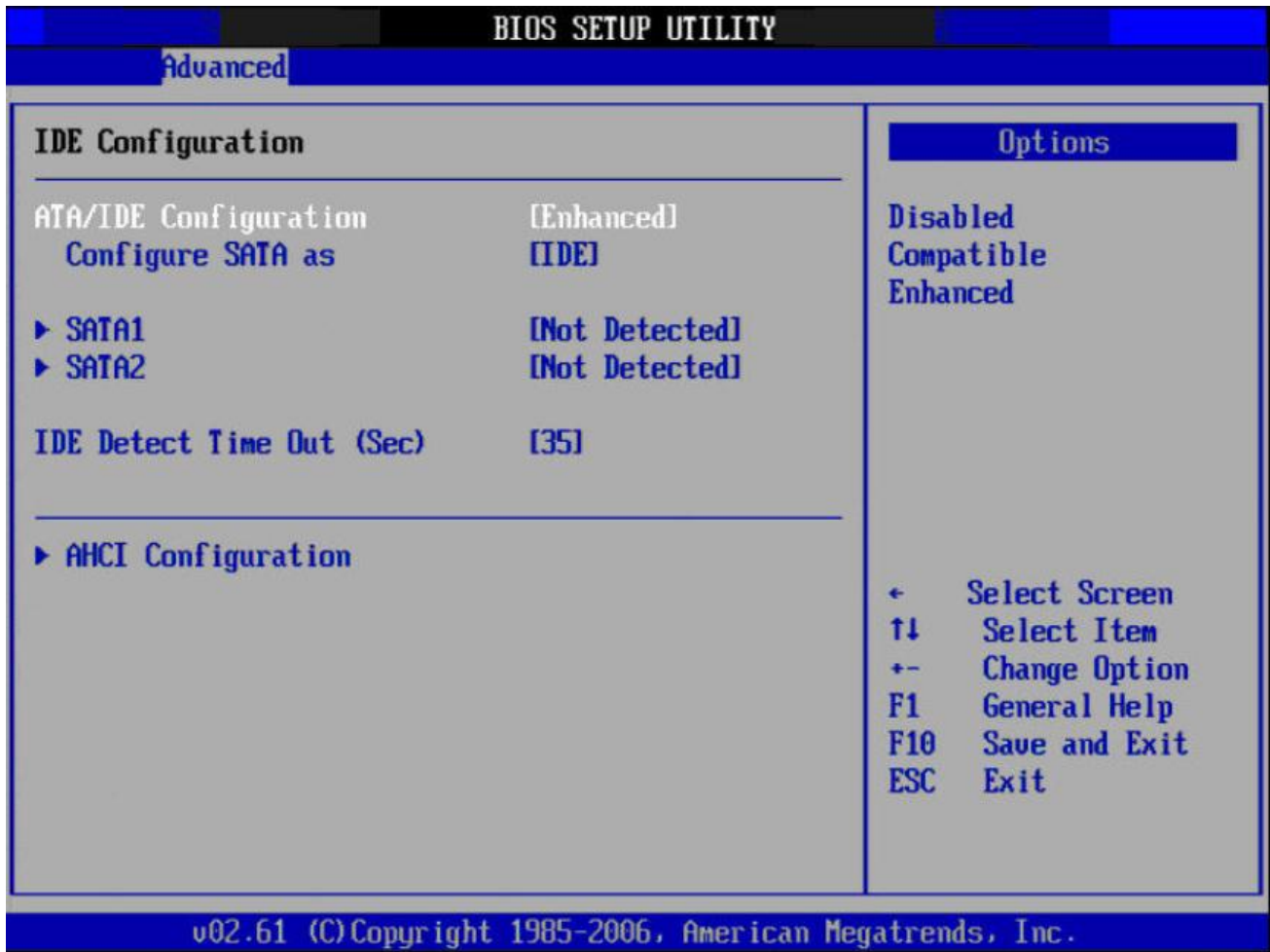
- **Intel® C-STATE tech**

This item allows the CPU to save more power when in a derivate mode.

- **Enhanced C-States**

CPU idle set to enhanced C-States, disabled by Intel® C-STATE tech item.

3.4 IDE configuration



- **ATA / IDE Configuration**

This can be configured as Disabled, Compatible or Enhanced.

- **Configure SATA as**

This can be configured as IDE or AHCI.

- **SATA1/SATA2**

While entering setup, the BIOS automatically detects the presence of SATA devices.

This displays the status of SATA device auto-detection.

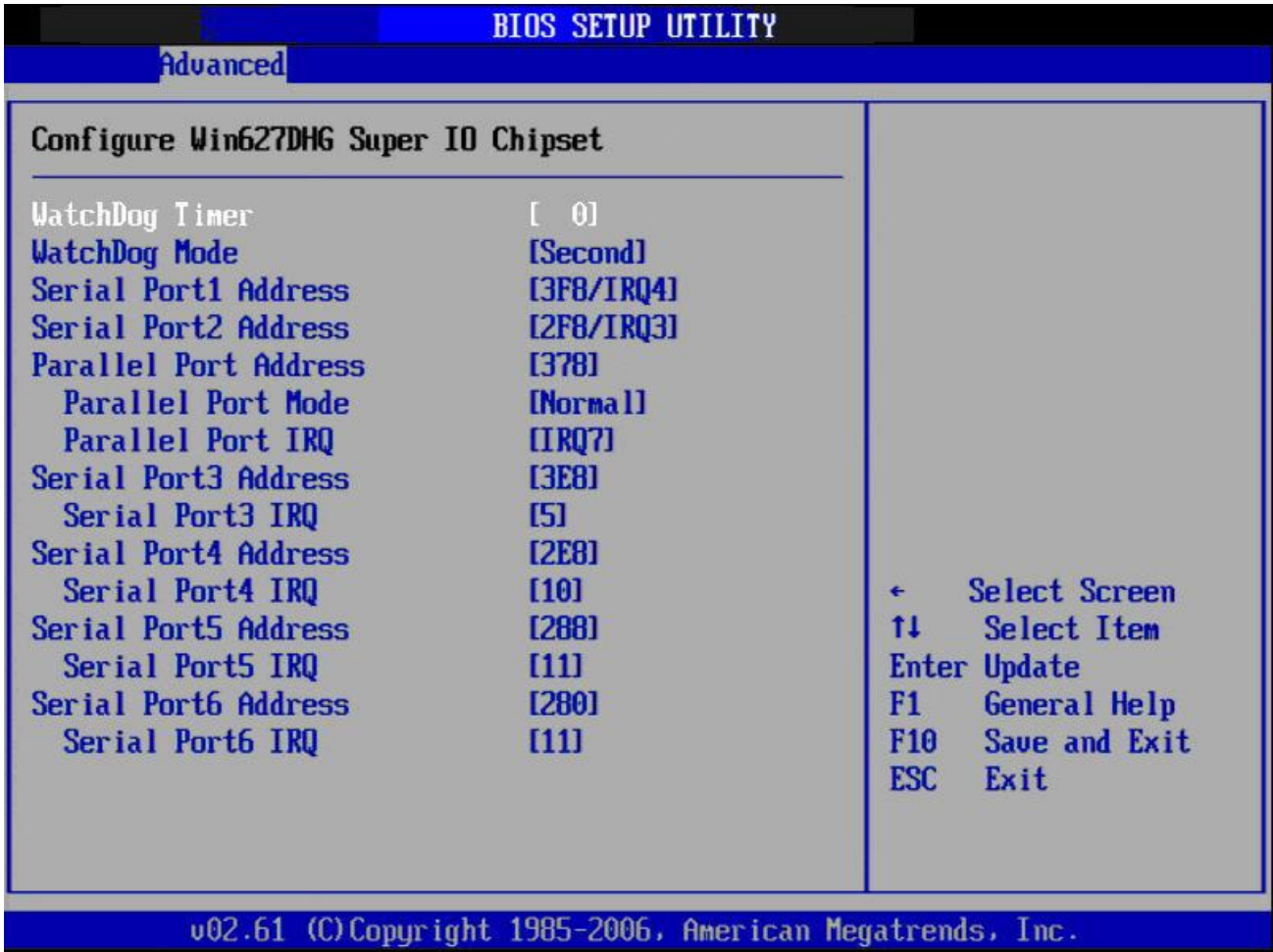
- **IDE Detect Time Out (Sec)**

This item allows you to select the time out value for detecting ATA/ ATAPI device(s).

- **AHCI Configuration**

AHCI is a new interface specification that allows the SATA controller driver to support advanced features.

While entering setup, BIOS auto detects the AHCI devices. This displays the status of auto detection of AHCI devices.



- **On board Serial port1 [3F8/IRQ4]**
 This item allows user to adjust serial port1 address and IRQ.
- **On board Serial port2 [2F8/IRQ3]**
 This item allows user to adjust serial port2 address and IRQ.
- **On board Serial port3 [C80/IRQ11]**
 This item allows user to adjust serial port3 address and IRQ.
- **On board Serial port4 [C88/IRQ10]**
 This item allows user to adjust serial port4 address and IRQ.
- **On board Serial port5 [C90/IRQ11]**
 This item allows user to adjust serial port5 address and IRQ.
- **On board Serial port6 [C98/IRQ10]**
 This item allows user to adjust serial port7 address and IRQ.

3.5 Hardware Health Configuration

The screenshot displays the BIOS Setup Utility interface. At the top, it says "BIOS SETUP UTILITY" and "Advanced". The main area is titled "Hardware Health Configuration" and is divided into two columns. The left column lists various system parameters and their current values, while the right column, titled "Options", lists available settings for the Smart Fan feature. At the bottom, there is a copyright notice: "v02.61 (C) Copyright 1985-2006, American Megatrends, Inc."

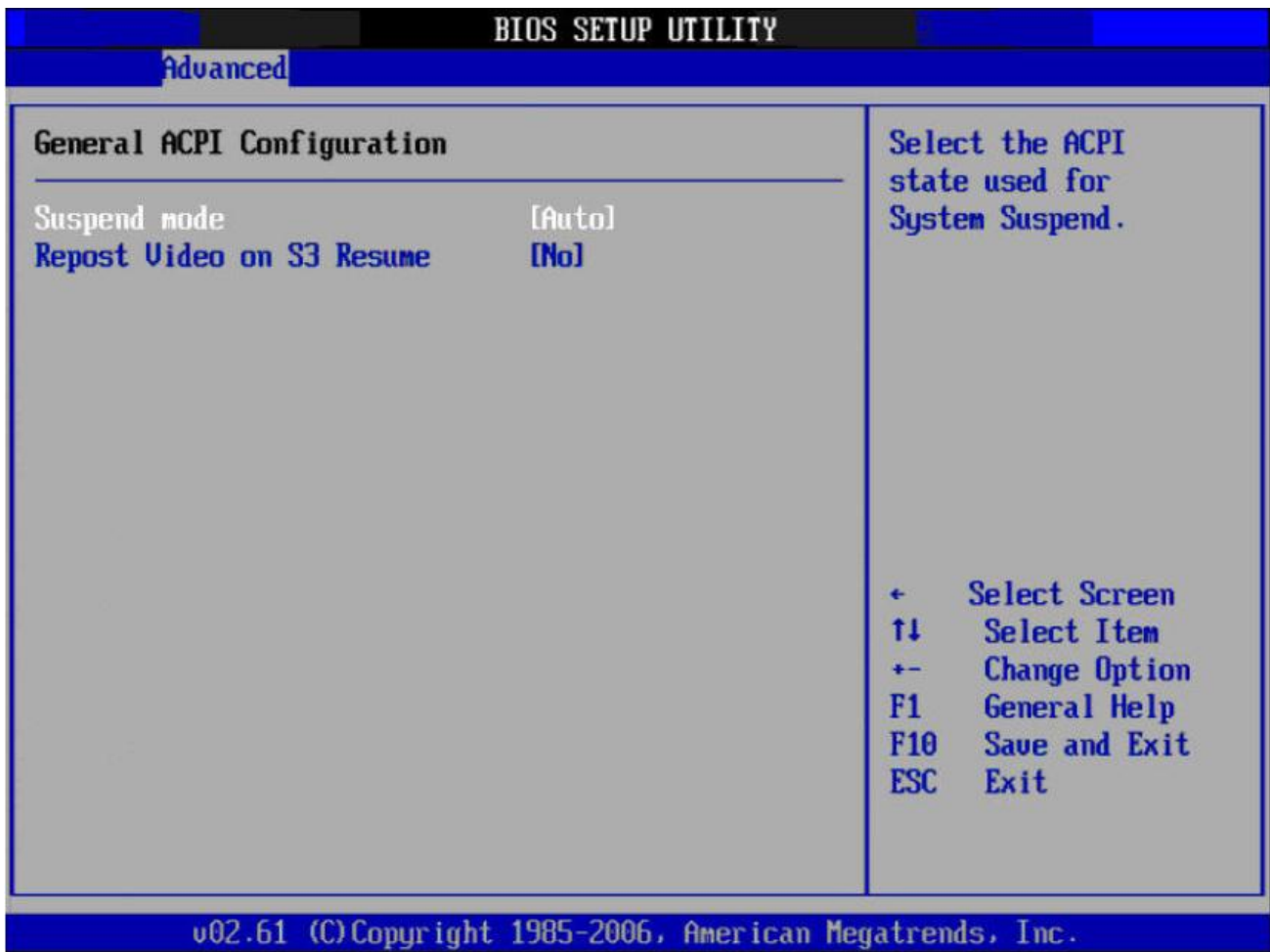
Hardware Health Configuration		Options
System Temperature	:36°C/96°F	Disabled
CPU Temperature	:36°C/96°F	Silent Mode
SYSFAN Speed	:0 RPM	Optimal Mode
CPUFAN Speed	:3183 RPM	Performance Mode
Vcore	:1.120 V	
AVCC	:3.360 V	
3VCC	:3.360 V	
+12V	:12.032 V	← Select Screen
+5V	:5.024 V	↑↓ Select Item
5VSB	:5.024 V	+− Change Option
3VSB	:3.376 V	F1 General Help
VBAT	:3.040 V	F10 Save and Exit
SYSTEM Smart Fan	[Silent Mode]	ESC Exit
CPU Smart Fan	[Silent Mode]	

v02.61 (C) Copyright 1985-2006, American Megatrends, Inc.

•CPU warning temperature

Use this to set the CPU warning temperature threshold. When the system CPU reaches the warning temperature, the buzzer will beep.

3.6 General ACPI Configuration



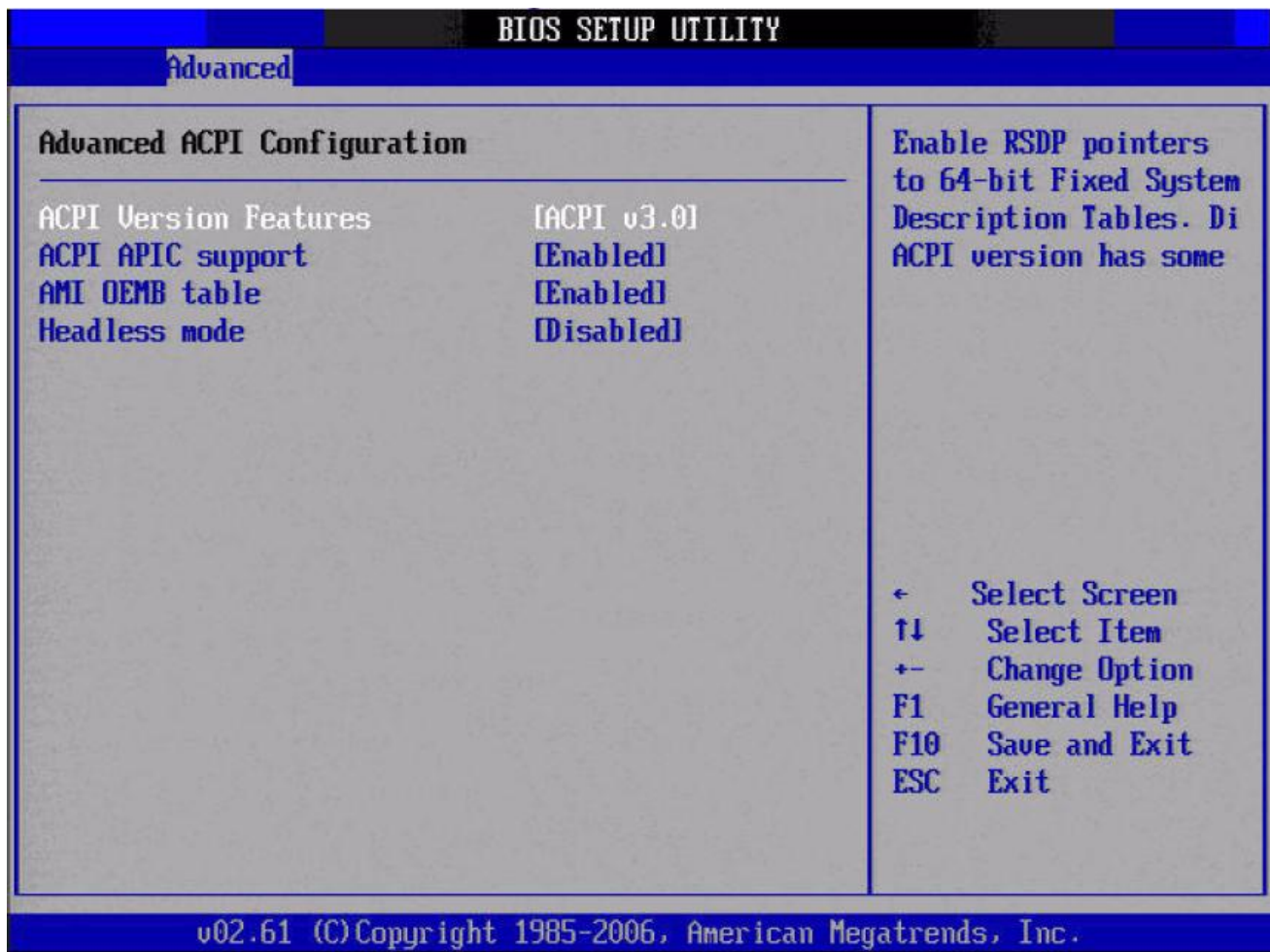
- **Suspend mode**

Select the ACPI state used for system suspend.

- **Report Video on S3 Resume**

This item allows you to invoke VABIOSPOST on S3 / STR resume.

3.7 Advanced ACPI Configuration



- **ACPI Version Features**

This item allows you to enable RSDP pointers to 64-bit fixed system description tables.

- **ACPI APIC support**

Include ACPI table pointer to RSDT pointer list.

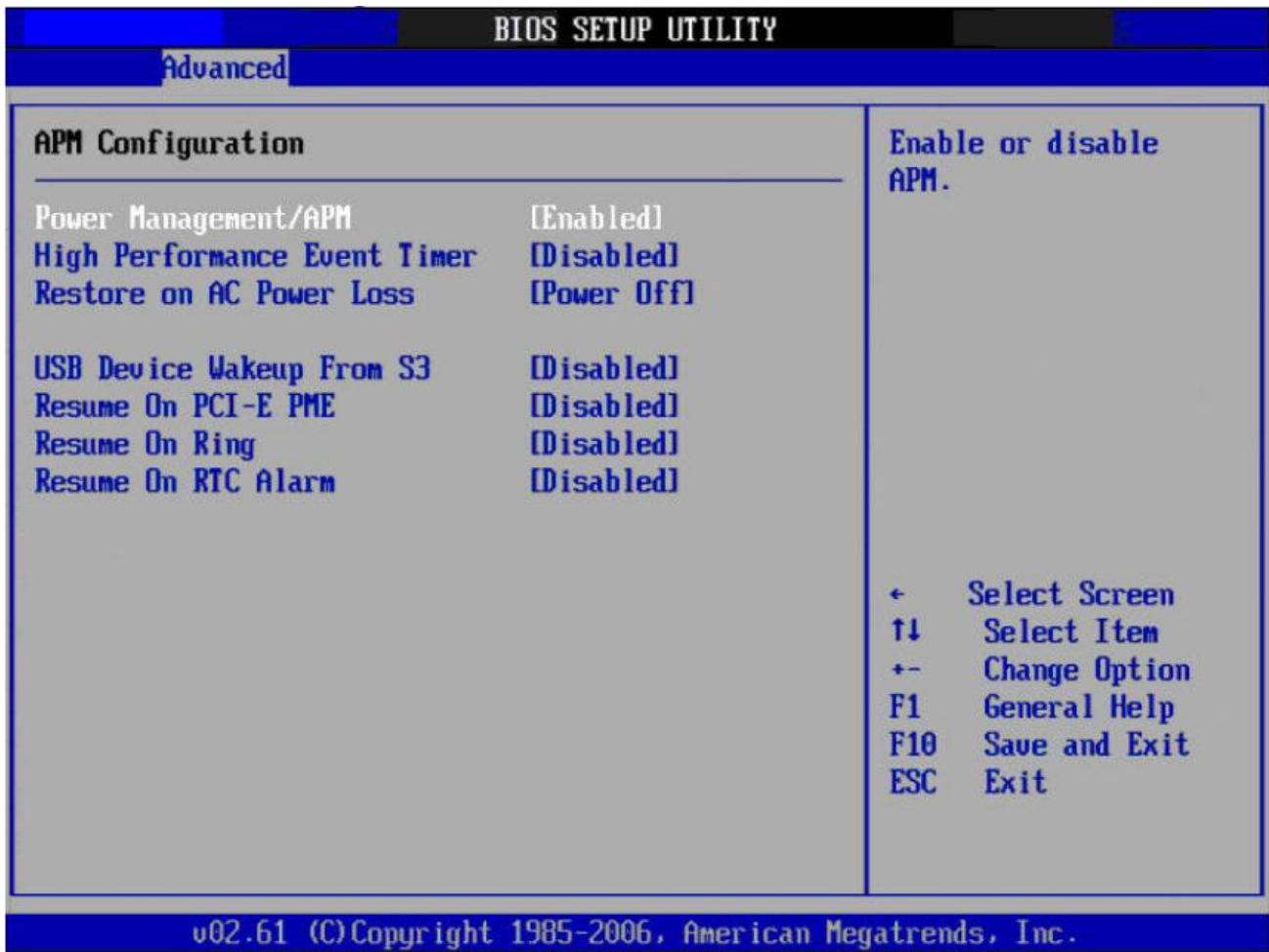
- **AMI OEMB table**

Include OEMB table pointer to R(x)SDT pointer lists.

- **Head less mode**

Enable/ Disable Head less operation mode through ACPI.

3.8 APM Configuration



- **Power Management/ APM**

Enable or disable APM power management function.

- **Restore on AC Power Loss**

This option allows user to set system action when AC power restores after AC Power loss. Available options include Power Off, Power On, Last Status.

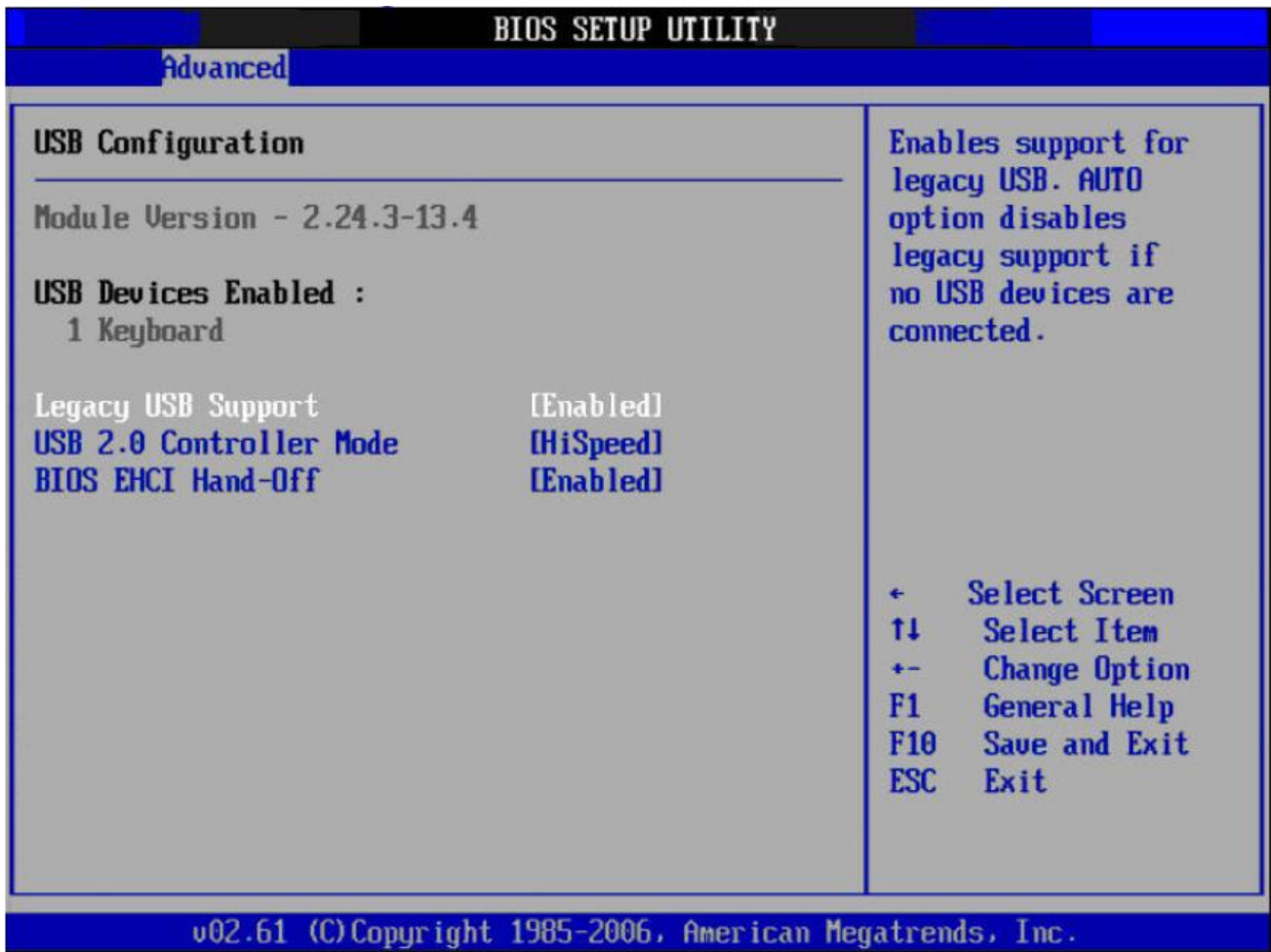
- **Resume On Ring**

Disable / Enable RI wake event.

- **Resume On RTC Alarm**

Disable / Enable RTC wake event.

3.9 USB Configuration



- **Legacy USB Support**

Enables support for legacy USB. Auto option disables legacy support if no USB Devices are connected.

- **USB2.0 Controller Mode**

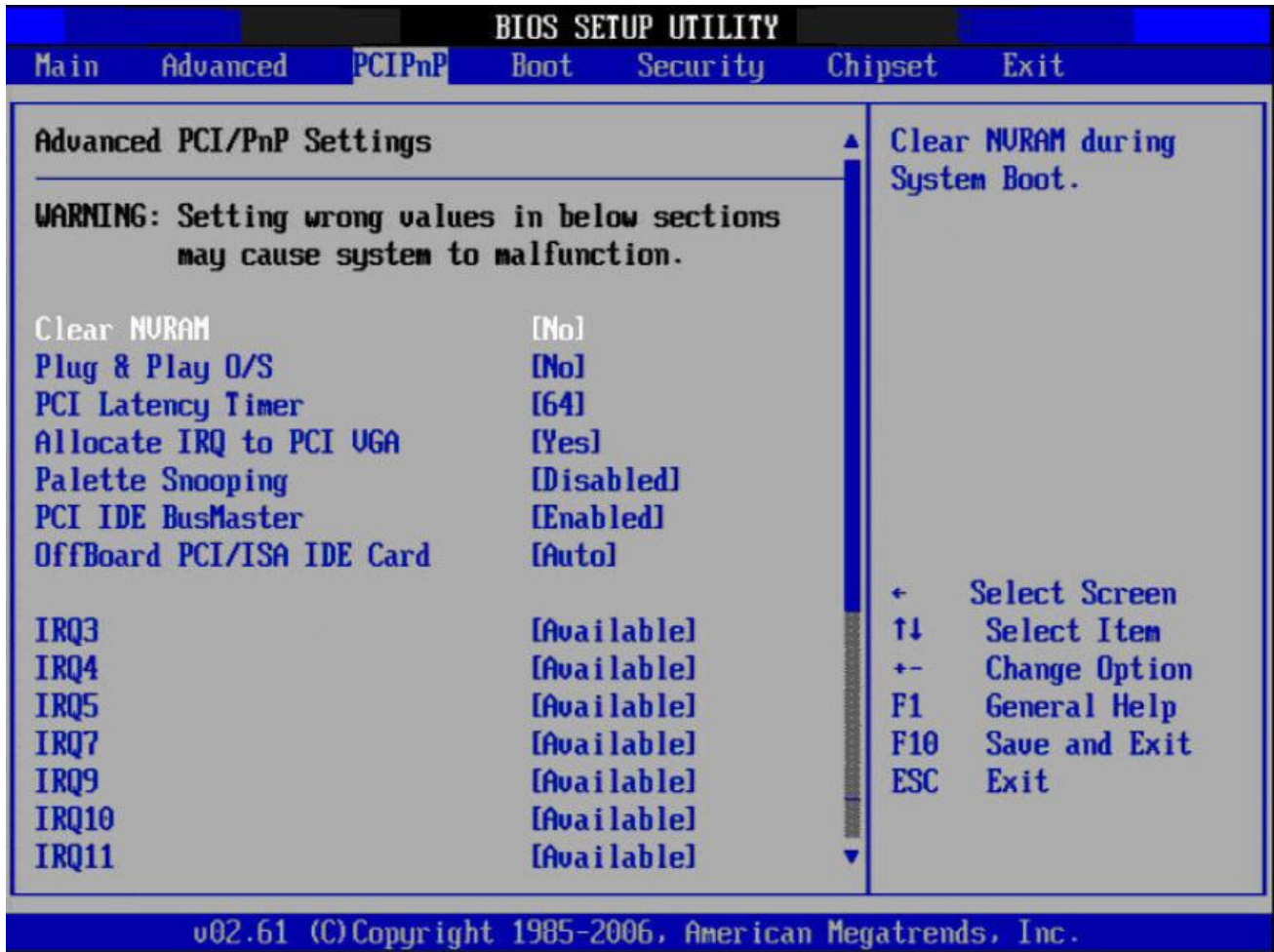
This item allows you to select Hi-Speed (480Mbps) or Full Speed (12Mbps).

- **BIOS EHCI Hand-Off**

This is a workaround for OSs without EHCI hand-off support. The EHCI ownership change should be claimed by EHCI driver.

3.10 Advanced PCI/ PnP Settings

Select the PCI / PnP tab from the AIMB-212 setup screen to enter the Plug and Play BIOS Setup screen. You can display a Plug and Play BIOS Setup option by highlighting it using the <Arrow> keys. All Plug and Play BIOS Setup options are described in this section. The Plug and Play BIOS Setup screen is shown below.



•Clear NVRAM

Set this value to force the BIOS to clear the Non-Volatile Random Access Memory (NVRAM). The Optimal and Fail-Safe default setting is No.

•Plug& Play O/S

When set to No, BIOS configures all the devices in the system. When set to Yes and if you install a Plug and Play operating system, the operating system configures the Plug and Play devices not required for bootup.

•PCI Latency Timer

Value in units of PCI clocks for PCI device latency timer register.

•Allocate IRQ to PC IVGA

When set to Yes, will assign IRQ to PCI VGA card if card requests IRQ.
When set to No will not assign IRQ to PC IVGA card even if card requests an IRQ.

•Palette Snooping

This item is designed to solve problems caused by some non-standard VGA card.

•PCI IDE Bus Master

When set to enabled, BIOS uses PCI bus mastering for reading! Writing to IDE drives.

•Off Board PCI / ISA IDE Card

Some PCI IDE cards may require this to be set to the PCI slot number that is holding the card.
Set to Auto works for most PC/IDE cards.

•IRQ 3/ 4/ 5/ 7/ 9/ 10/11

This item allows you to assign an interrupt type for IRQ-3, 4, 5, 7, 9, 10, 11.

•DMA Channel 0/1/3/5/6/7

When set to Available, will specify DMA is available to be used by PCI/PnP devices.
When set to Reserved, will specify DMA is Reserved for use by legacy ISA devices.

•Reserved Memory Size

This item allows you to reserve a set amount of memory for legacy ISA devices.

3.11 Boot settings Configuration



•Quick Boot

This item allows BIOS to skip certain tests while booting. This will decrease the time needed to boot the system.

•Quiet Boot

If this option is set to Disabled, the BIOS displays normal POST messages. If Enabled, an OEM Logo is shown instead of POST messages.

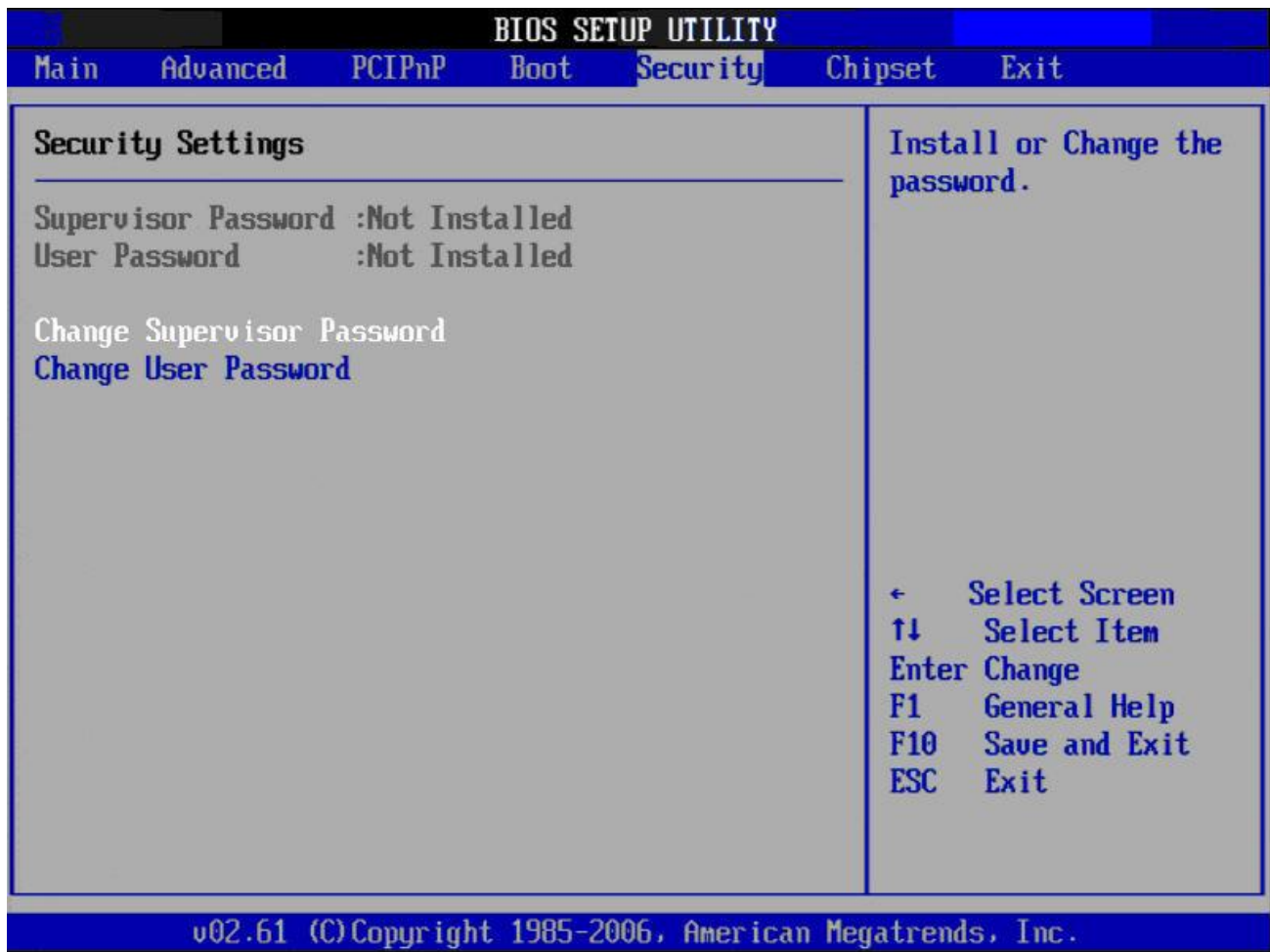
•Boot up Num-Lock

Select the Power-on state for Numlock.

•Wait For .F1. If Error

Wait for the F1 key to be pressed if an error occurs.

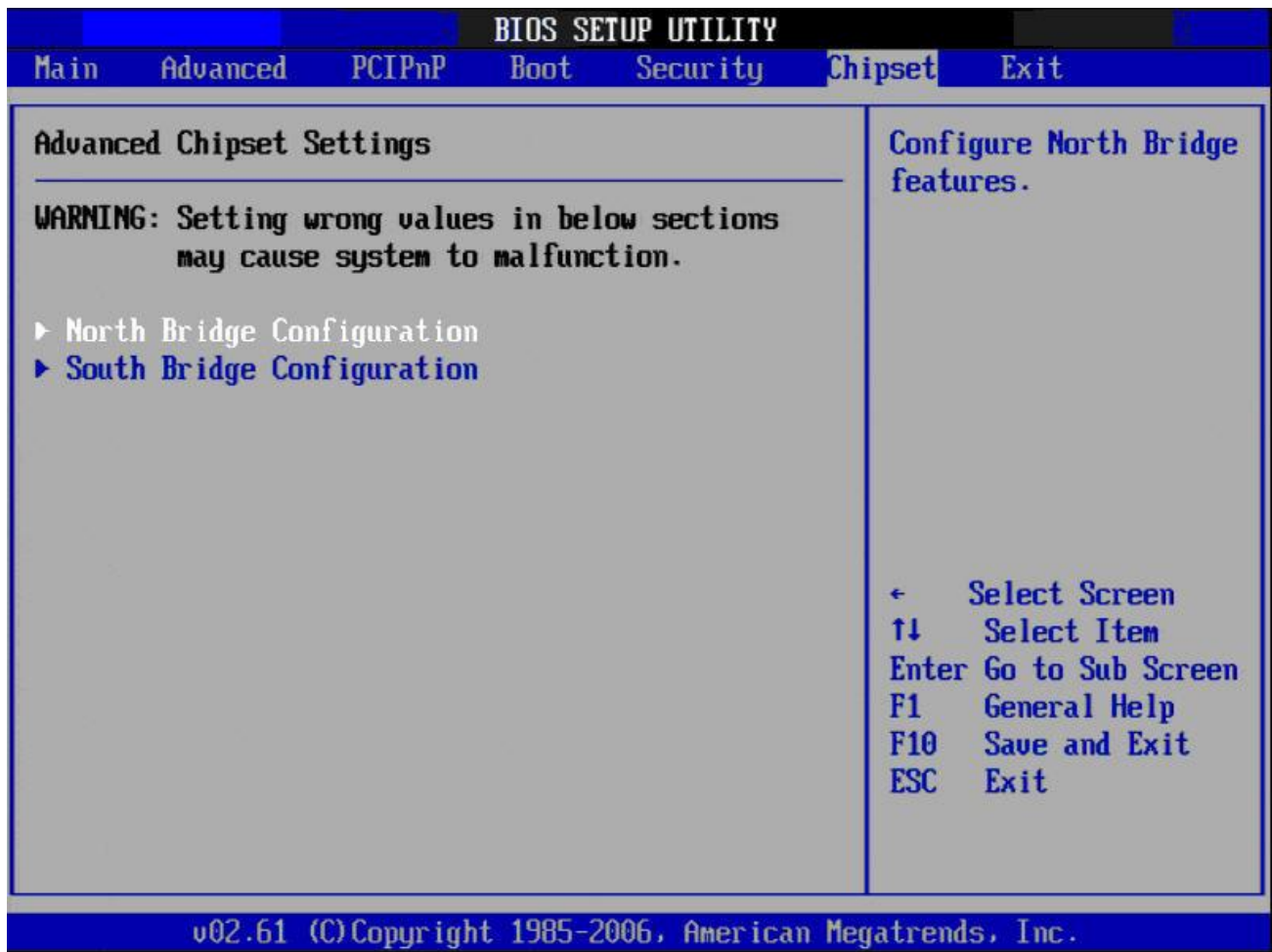
3.12 Security Setup



Select Security Setup from the PCM-9562 Setup main BIOS setup menu. All Security Setup options, such as password protection and virus protection are described in this section. To access the sub menu for the following items, select the item and press <Enter> :

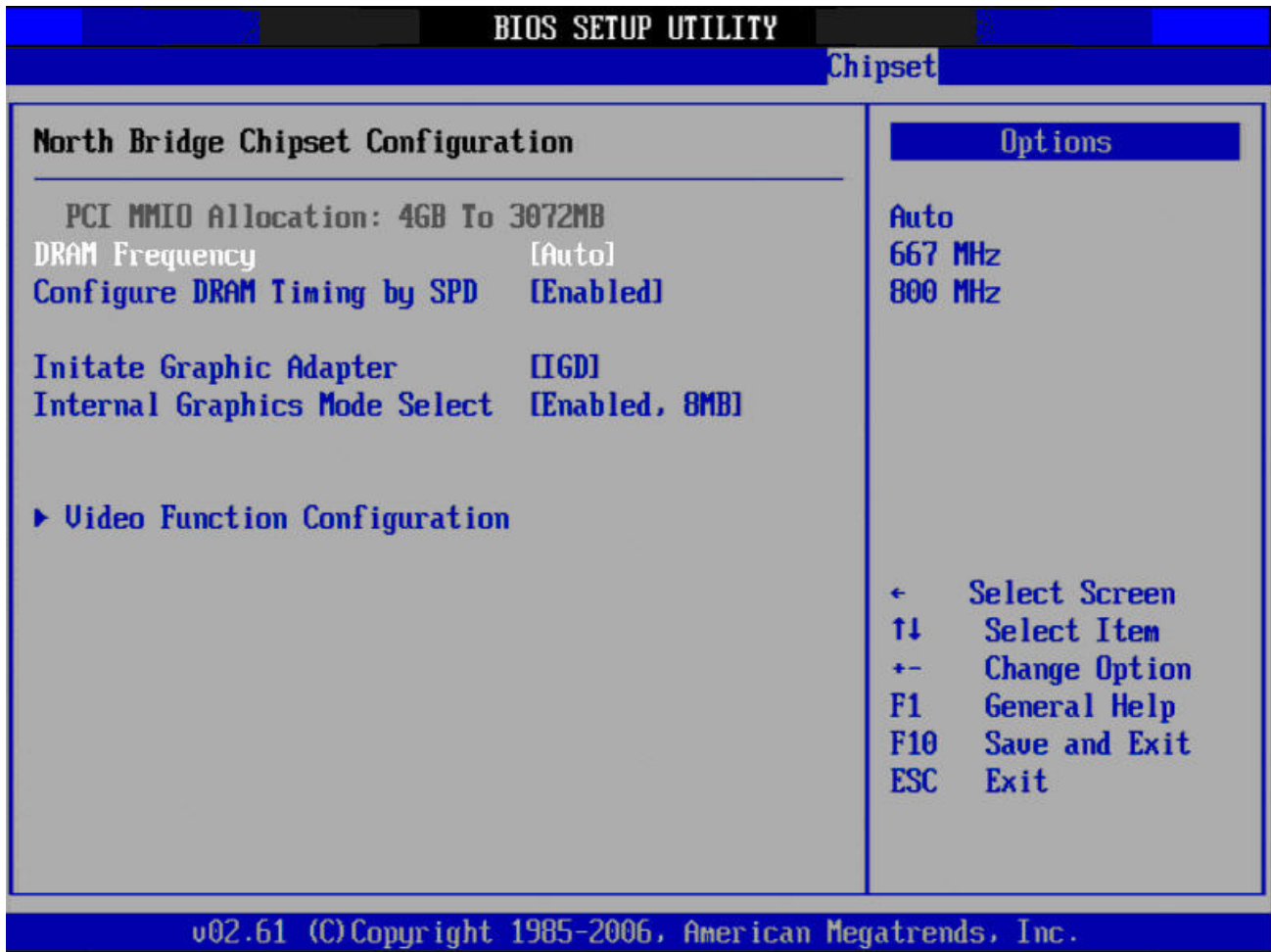
- Change Supervisor / User Password**
Provides for either installing or changing the password.

3.13 Advanced Chipset Settings



- North Bridge Configuration
- South Bridge Configuration

3.14 North Bridge Chipset Configuration



- **DRAM Frequency**

This item allows you to manually change DRAM frequency.

- **Configure DRAM Timing by SPD**

This item allows you to enable or disable detect by DRAM SPD.

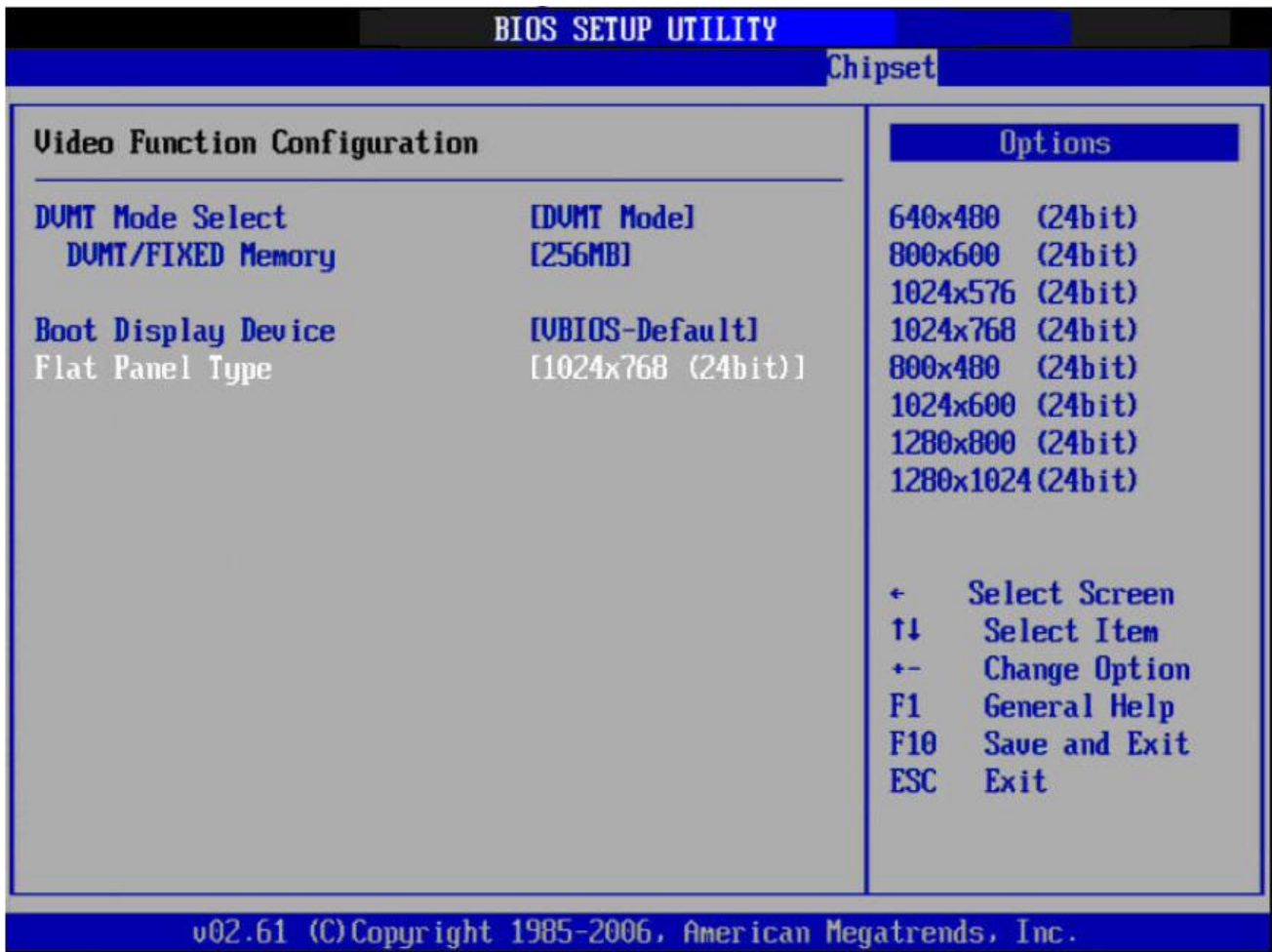
- **Initiate Graphic Adapter**

This item allows you to select which graphics controller to use as the primary boot device.

- **Internal Graphics Mode Select**

Select the amount of system memory used by the Internal graphics device.

3.15 Video Function Configuration



- **DVMT Mode Select**

Displays the active system memory mode.

- **DVMT / FIXED Memory**

Specifies the amount of DVMT/ FIXED system memory to allocate for video memory.

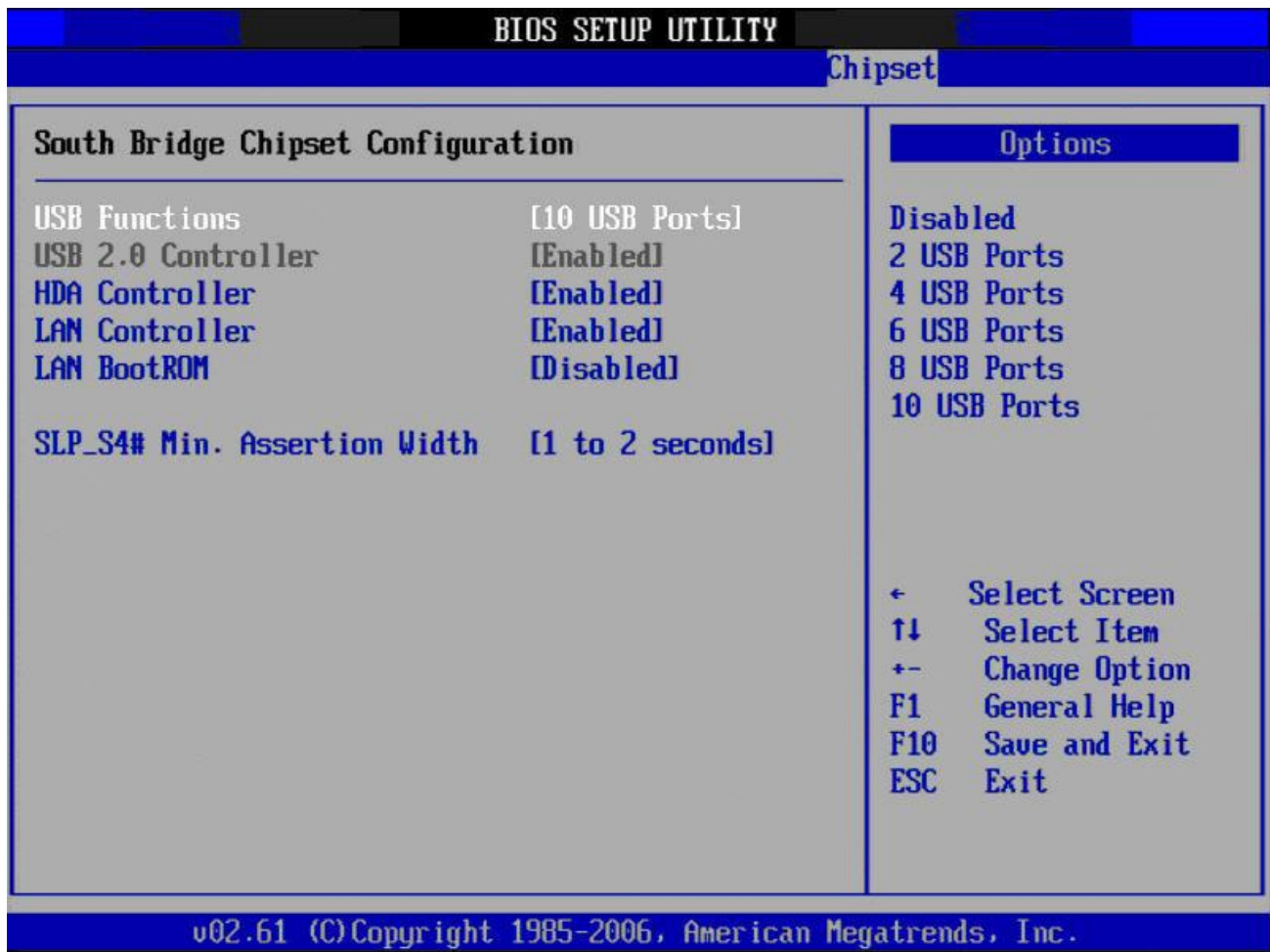
- **Boot Display Device**

Select boot display device at post stage.

- **Flat Panel Type**

This item allows you to select which panel resolution you want.

3.16 South Bridge Chipset Configuration



- **USB Functions**

Select : Disabled, 2 USB Ports, 4USB Ports, 6USB Ports or 8USB Ports.

- **USB 2.0 Controller**

Enables or disables the USB2.O controller.

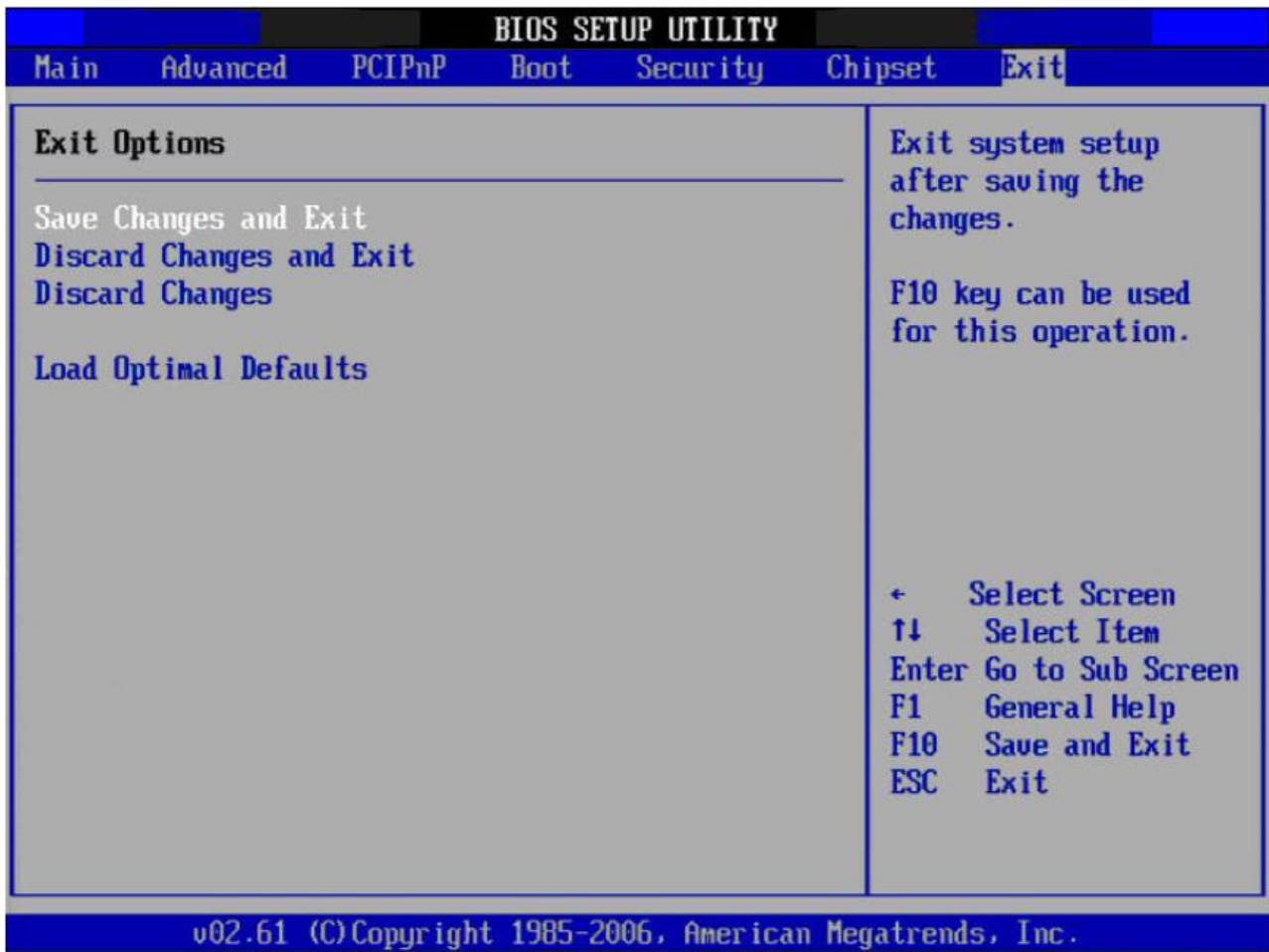
- **LAN controller**

Enables or disables the GbE controller.

- **SLP_S4 # Min. Assertion Width**

This item allows you to set a delay of a set number of seconds.

3.17 Exit Option



•Save Changes and Exit

When you have completed system configuration, select this option to you're your changes, exit BIOS setup and reboot the computer so the new system configuration parameters can take effect.

Select Save Changes and Exit from the Exit menu and press <Enter>.

The following message appears:

Save Configuration Changes and Exit Now?

[Ok] / [Cancel]

2.Select Ok or Cancel.

•Discard Changes and Exit

Select this option to quit Setup without making any permanent changes to the system configuration.

Select Discard Changes and Exit from the Exit menu and press <Enter>.

The following message appears:

Discard Changes and Exit Setup Now?

[Ok]/ [Cancel]

2.Select Ok to discard changes and exit.

•Discard Changes

1.Select Discard Changes from the Exit menu and press<Enter>.

•Load Optimal Defaults

The ID525-PBP3 automatically configures all setup items to optimal settings when you select this option. Optimal Defaults are designed for maximum system performance,

but may not work best for all computer applications. In particular, do not use the Optimal.

Defaults if your computer is experiencing system configuration problems.

Select Load Optimal Defaults from the Exit menu and press <Enter>.

4. Troubleshooting

(1) Network Issues

Symptom	Corrective Procedure
Cannot access LAN	<ul style="list-style-type: none">▪ Check if hub or switch is working correctly▪ Check RJ45 cable connection▪ Check if LAN LEDs are on/off▪ Reinstall LAN card▪ Replace motherboard

(2) MSR Issues

Symptom	Corrective Procedure
MSR does not respond	<ul style="list-style-type: none">▪ Check MSR reader cable connection▪ Check motherboard and LCD cable connection▪ Check MSR board cable connection

(3) USB Issues

Symptom	Corrective Procedure
USB port doesn't work	<ul style="list-style-type: none">▪ Check Windows device manager for device recognition▪ Check USB device status and connection▪ Erase and re-install USB driver▪ Change USB device

(4) LCD Issues

Symptom	Corrective Procedure
LCD backlight doesn't work	<ul style="list-style-type: none">▪ Check LCD cable connection▪ Check inverter cable connection▪ Replace inverter cable▪ Change LCD panel

(5) Touch-screen Issues

Symptom	Corrective Procedure
Touch-screen doesn't detect touch operations	<ul style="list-style-type: none"> ▪ Check touch-screen cable connection ▪ Check motherboard and LCD cable connection ▪ Check BIOS set-up

(6) Power Issues

Symptom	Corrective Procedure
System switches off abruptly and system does not load	<ul style="list-style-type: none"> ▪ Check A/C cable connection ▪ Check motherboard power connection ▪ Check CPU settings/status ▪ Check DRAM settings ▪ Check power button cable connection ▪ Change power adaptor unit

(7) PS/2 Keyboard Issues

Symptom	Corrective Procedure
PS/2 Keyboard Issues	<ul style="list-style-type: none"> ▪ Check card-reader cable ▪ Check CN6 jumper

(8) Booting Issues

Symptom	Corrective Procedure
Re-booting during system operation	<ul style="list-style-type: none"> ▪ Check SATA cable connection ▪ Check memory status

5. Maintenance

Safety Warning

POSBANK will not be held responsible for repairs conducted via service providers other than those officially specified by the seller.

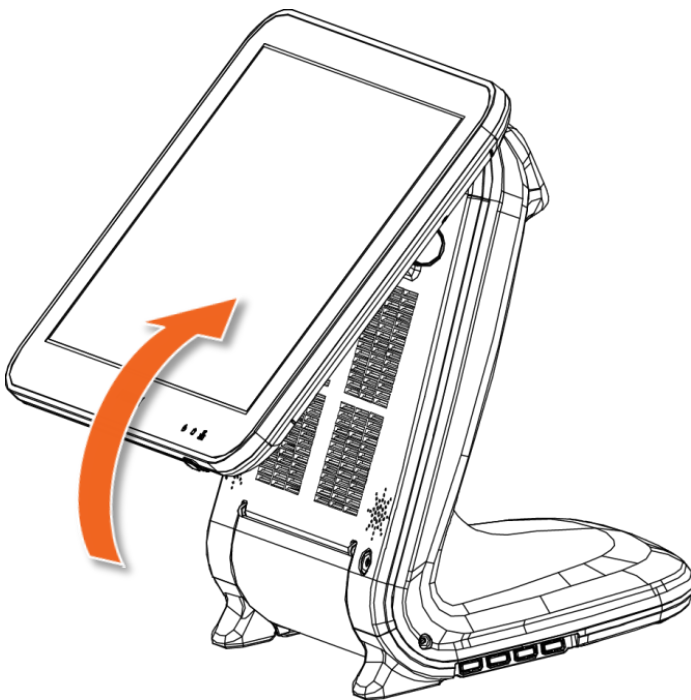
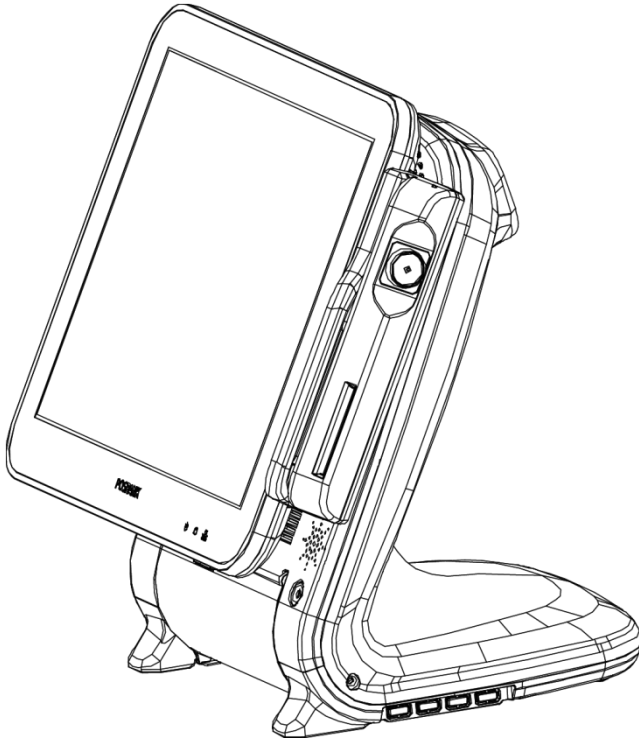
General Guidelines

1. Always disconnect the unit from the power outlet.
2. Disconnect all cables from the POS main unit before attempting reparation.
3. Keep all components in the static-proof packaging provided until ready for installation.
4. If the device still is not functioning after repair, please turn off the POS unit and contact the customer service center for a follow-up inspection.
5. We recommend that power supply unit (PSU) checks and monitor repairs only be performed at a certified service center.

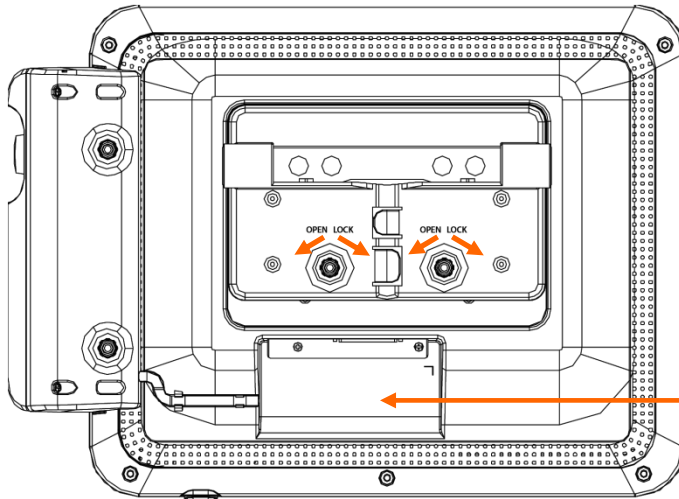
AnyShop Module POS System Replacement

(1) Separating LCD module

LCD module

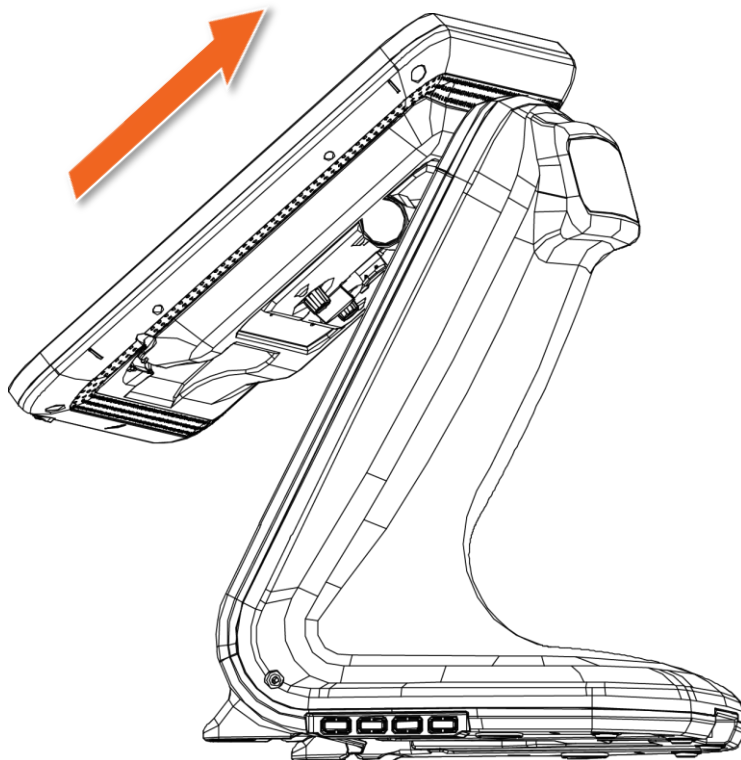


Step 1. Lift up the LCD display.



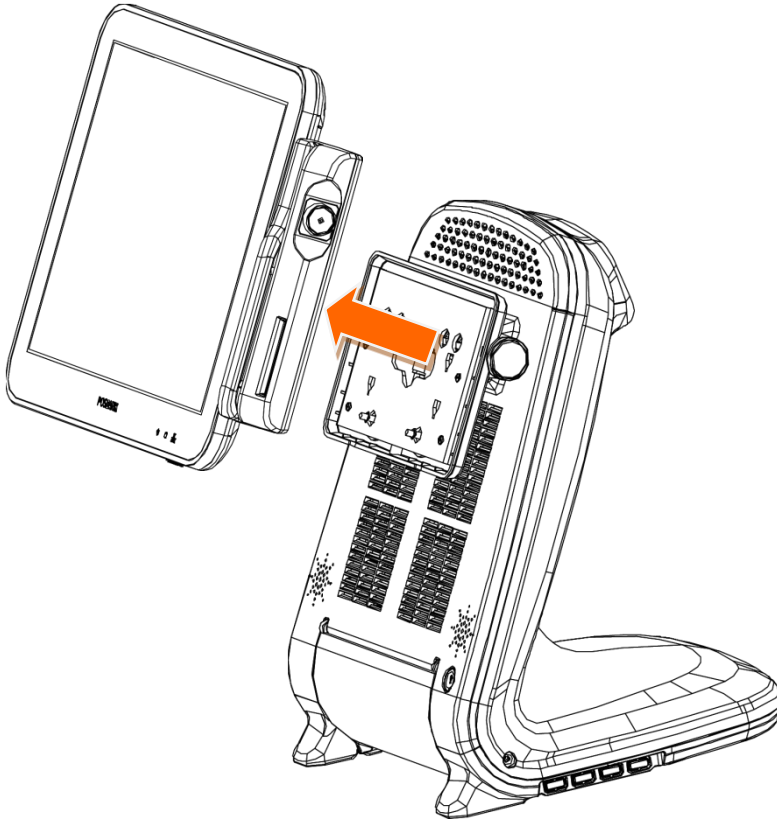
Step 2. Turn the 2 hand-screws to "open" direction.

Step 3. Remove the monitor cable.

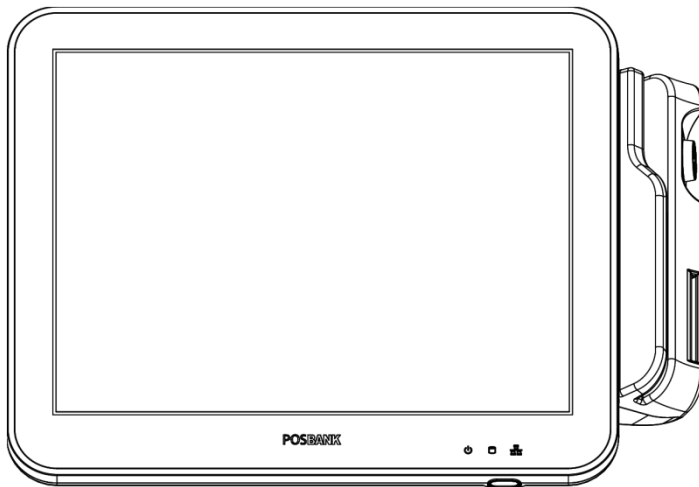


Step 4. Lift up the LCD module and detach from the main body.

Separating LCD module



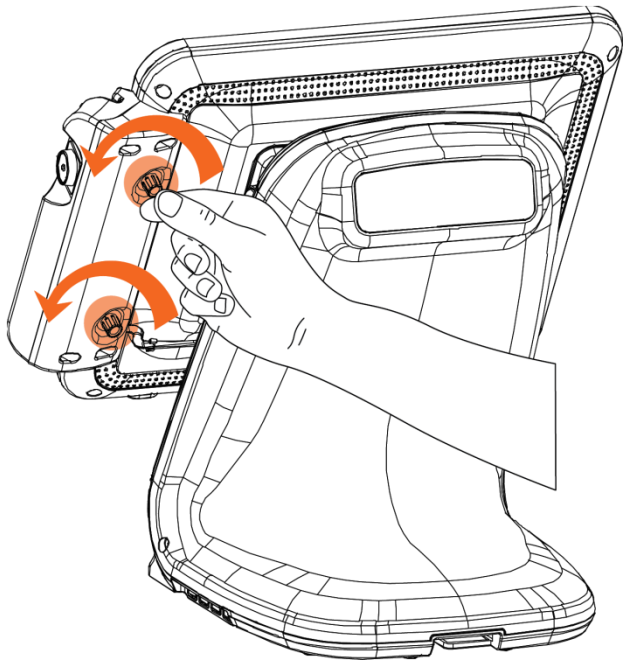
Step 5. Separate LCD monitor module.



LCD monitor module is now removed.

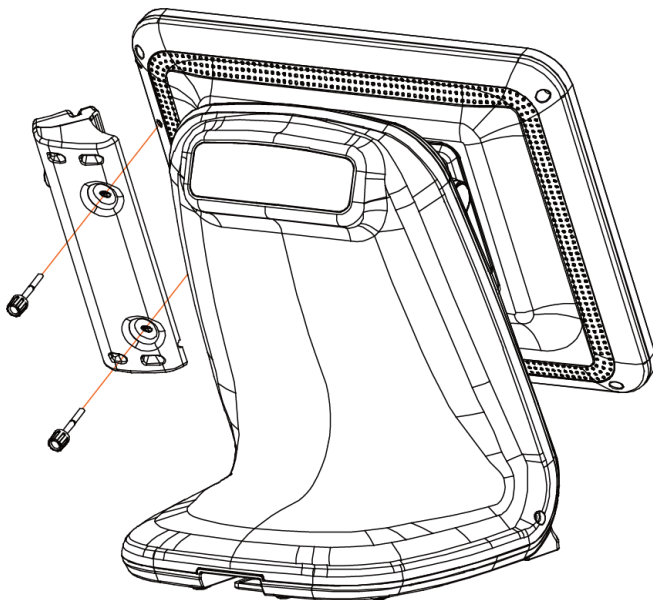
(2) Separating MSR module

LCD module



Step 1. Remove 2 screws from side using hand. (as shown above)

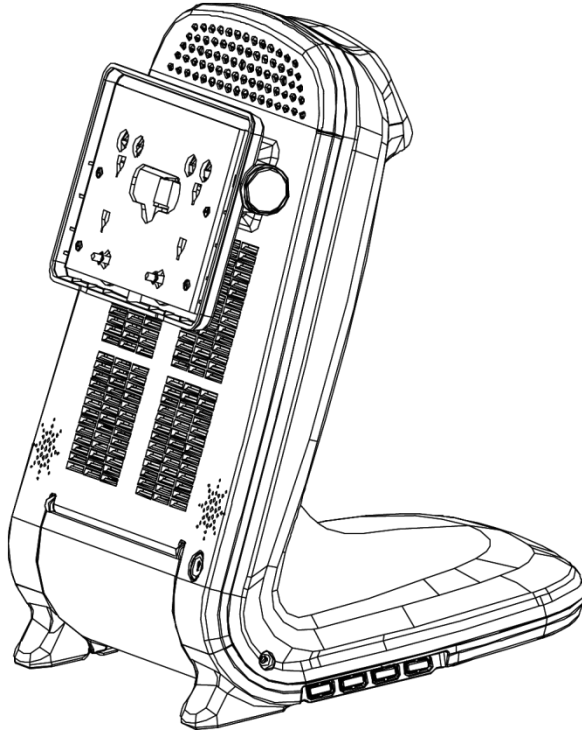
Step 2. Remove the cable. (RJ-45 connector)



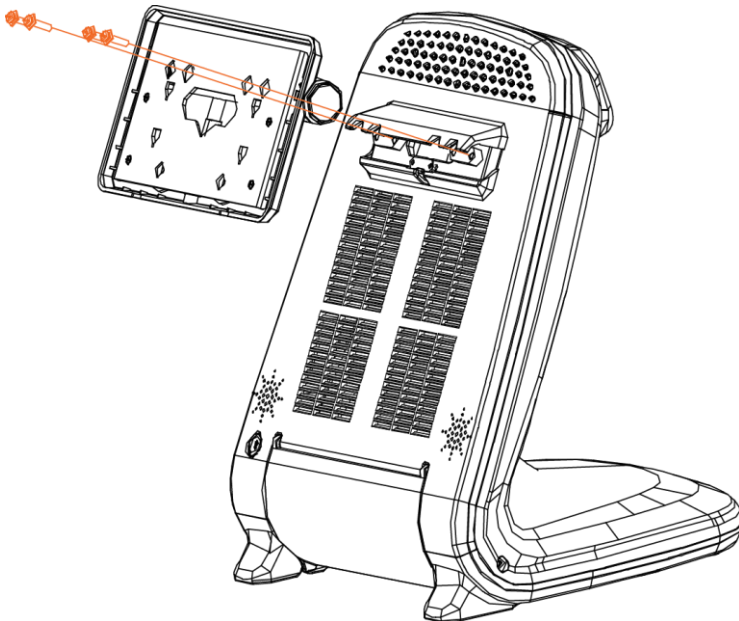
Step 3. Separate a MSR

(3) Separating Hinge module

HINGE module



Step 1. Separate LCD module.
(Please refer to P.105~107 for "Separating LCD module")

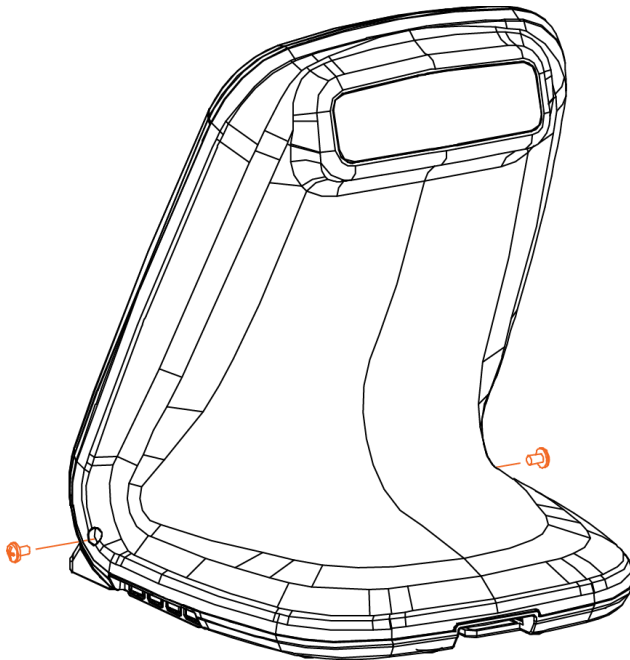


Step 2. Remove the 4 screws.

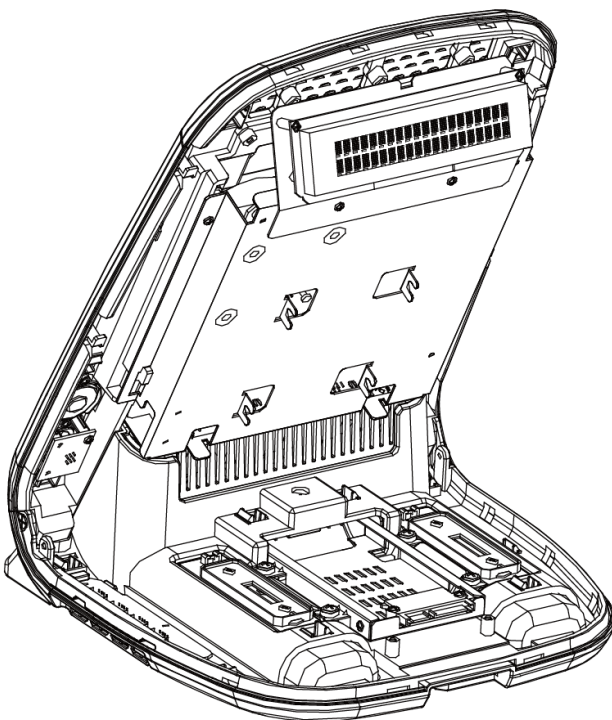
Step 3. Separate the hinge module.

(4) Separating Back cover

Back cover



Step 1. Remove the 2 screws on two sides.

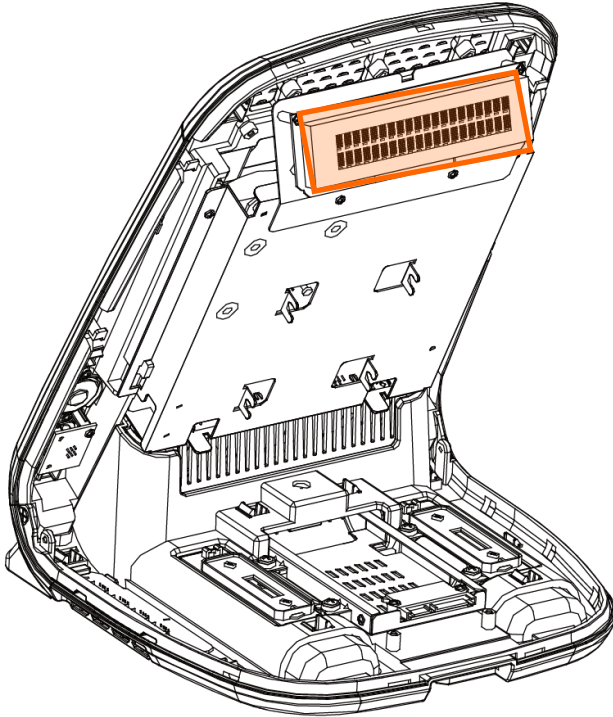


Step 2. Remove the Back cover by pushing it outward.

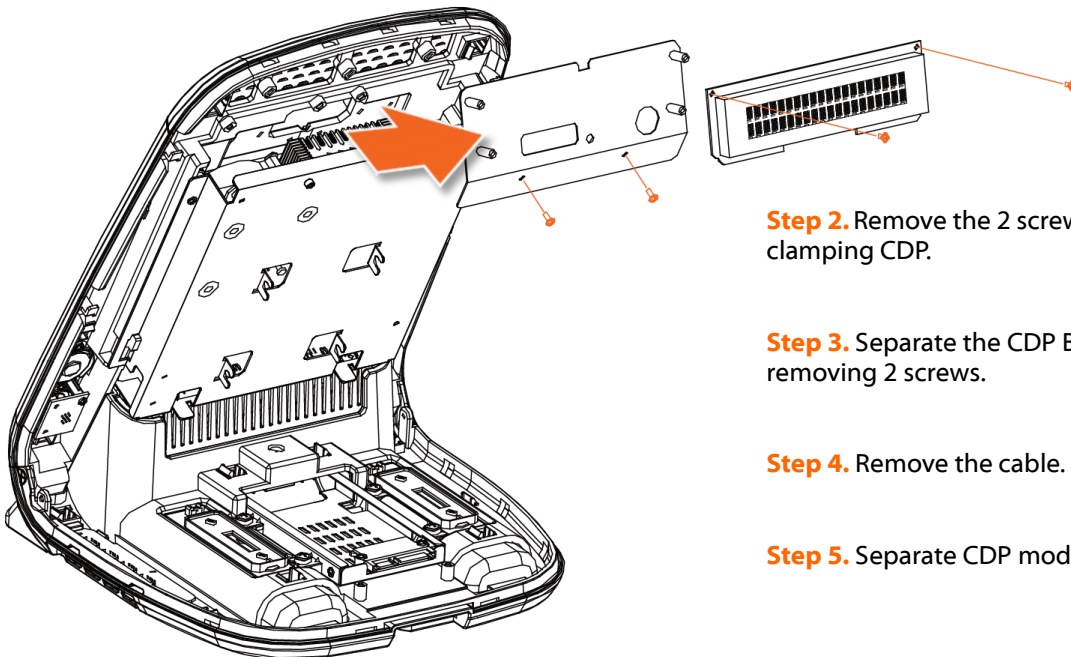
Step 3. Separate the Back cover.

(5) Separating Customer display(CDP)

Customer display(CDP)



Step 1. Separate the Back cover
(Please refer to P.110)



Step 2. Remove the 2 screws used for clamping CDP.

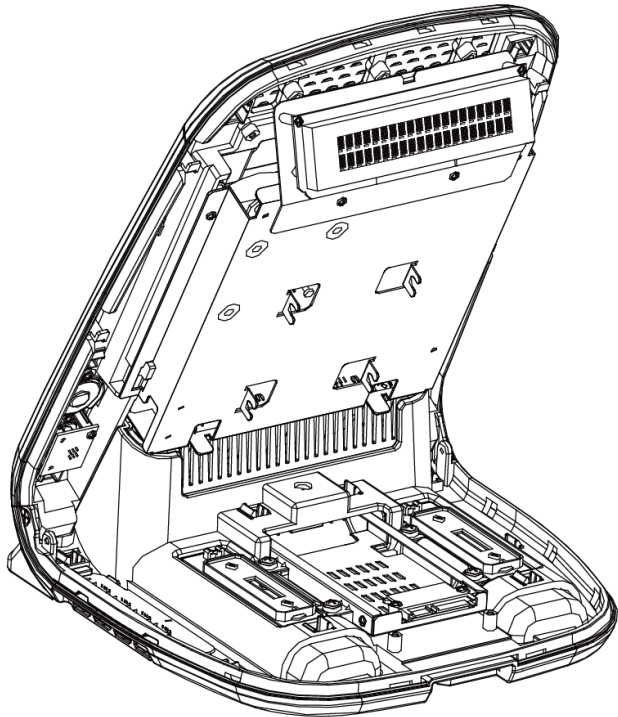
Step 3. Separate the CDP Bracket after removing 2 screws.

Step 4. Remove the cable.

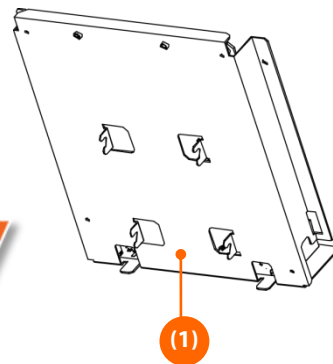
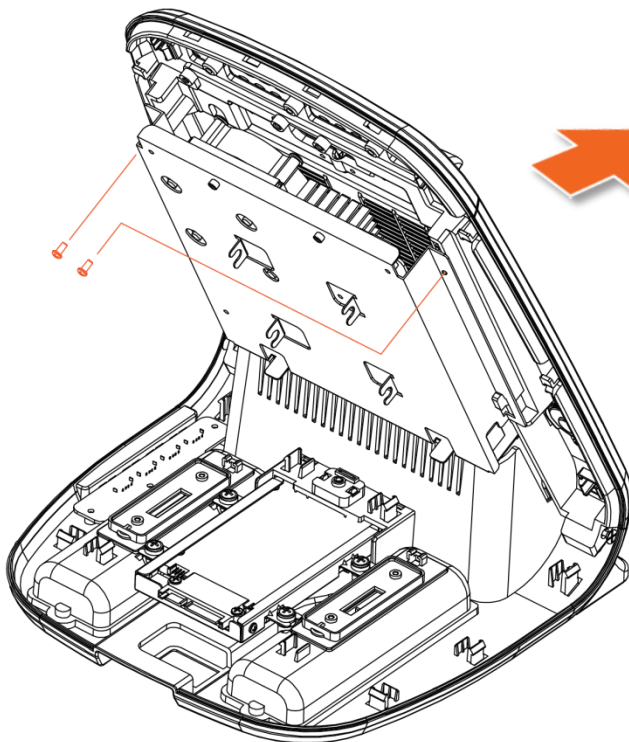
Step 5. Separate CDP module.

(6) Separating Motherboard

Separating Motherboard



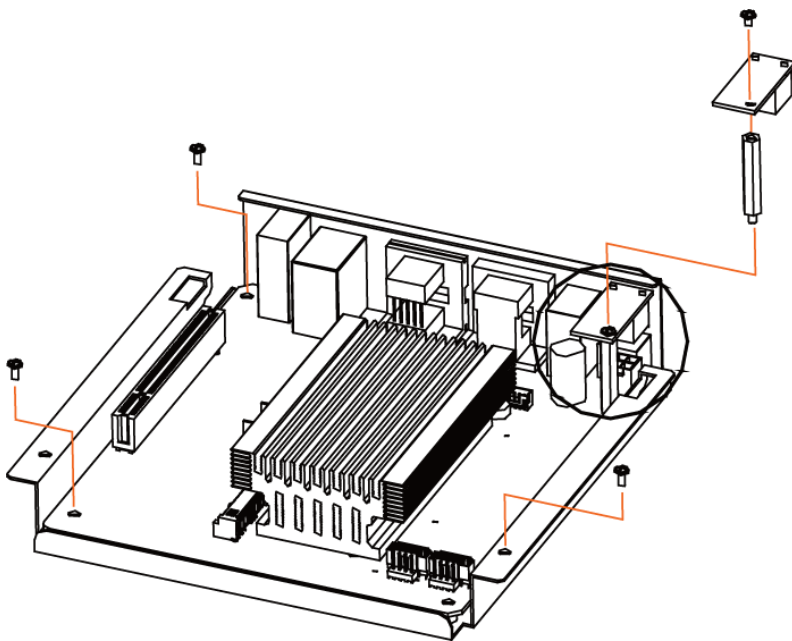
Step 1. Separate the Back cover
(Please refer to P.110)



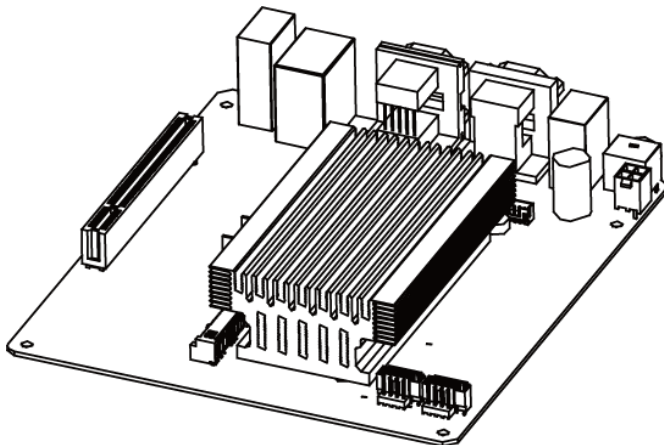
Step 2. Remove the 2 screws of (1).

Step 3. Remove the Motherboard bracket
by pushing it upward.

Separating motherboard



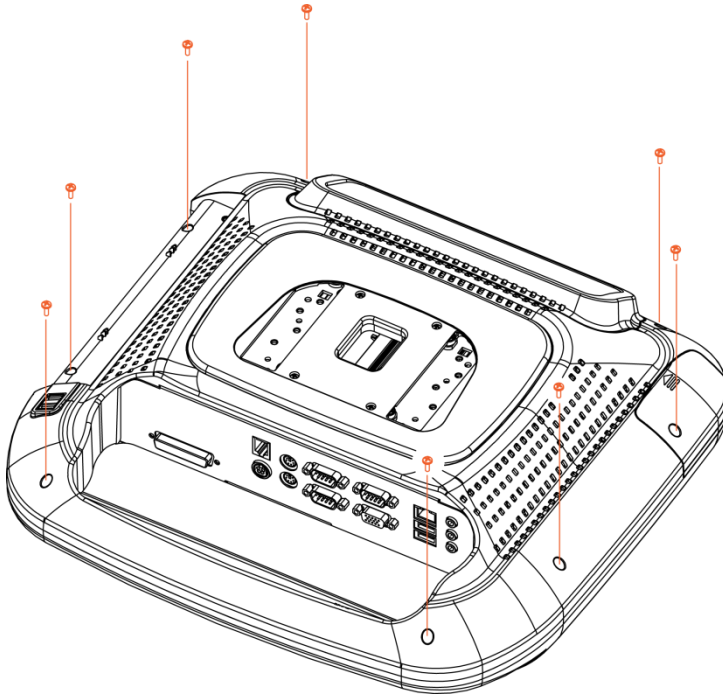
Step 4. Remove the 4 screws.



Step 5. Replace the motherboard.

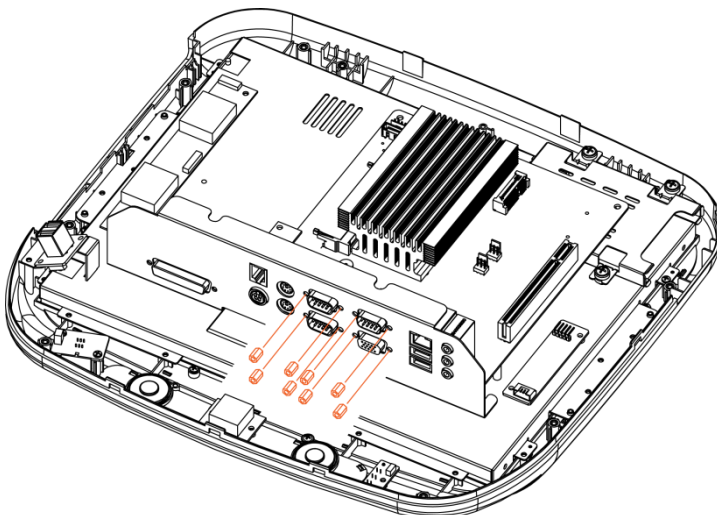
(7) Motherboard Replacement

Motherboard Replacement

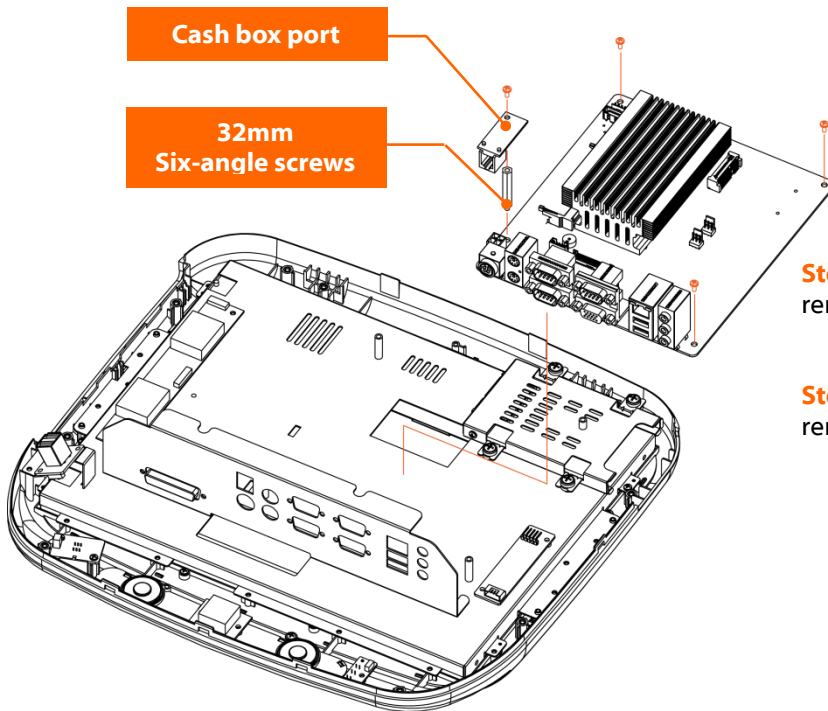


Step 1. Remove the 8 screws on reverse side of main unit using a (+) driver and take off the rear cover.

Rear cover is now removed.

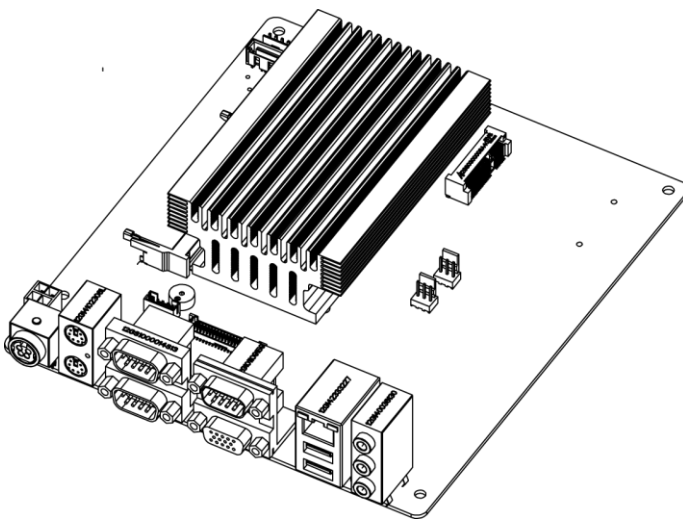


Step 2. Next, remove the last 8 screws as shown above.



Step 3. Separate the Cash box port after removing 1 screws.

Step 4. remove the 3 screws after removing Six-angle 1 screws.

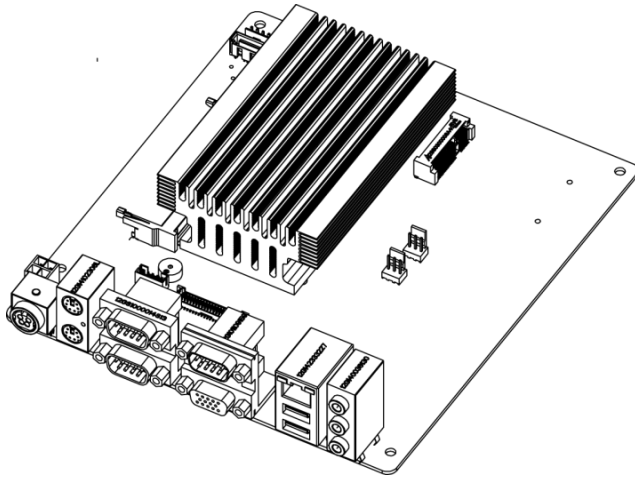


Motherboard is now removed.

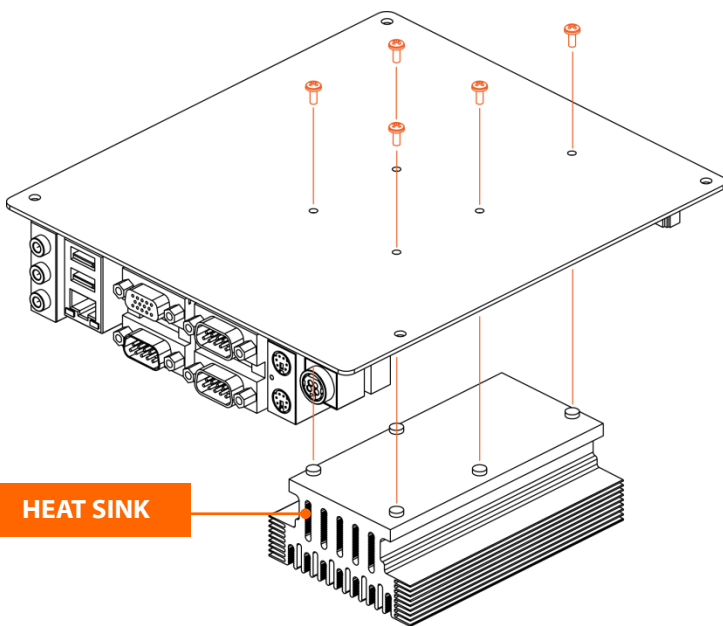
Step 5. Remove Replace motherboard and reassemble unit using the reverse procedure of steps 1-4 above.

(8) Heat Sink Replacement

Heat Sink Replacement



Step 1. Separate the Motherboard mounting panel.
(Please refer to P.90~91)

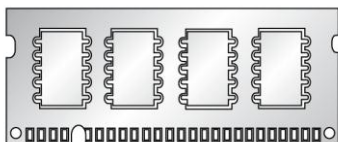
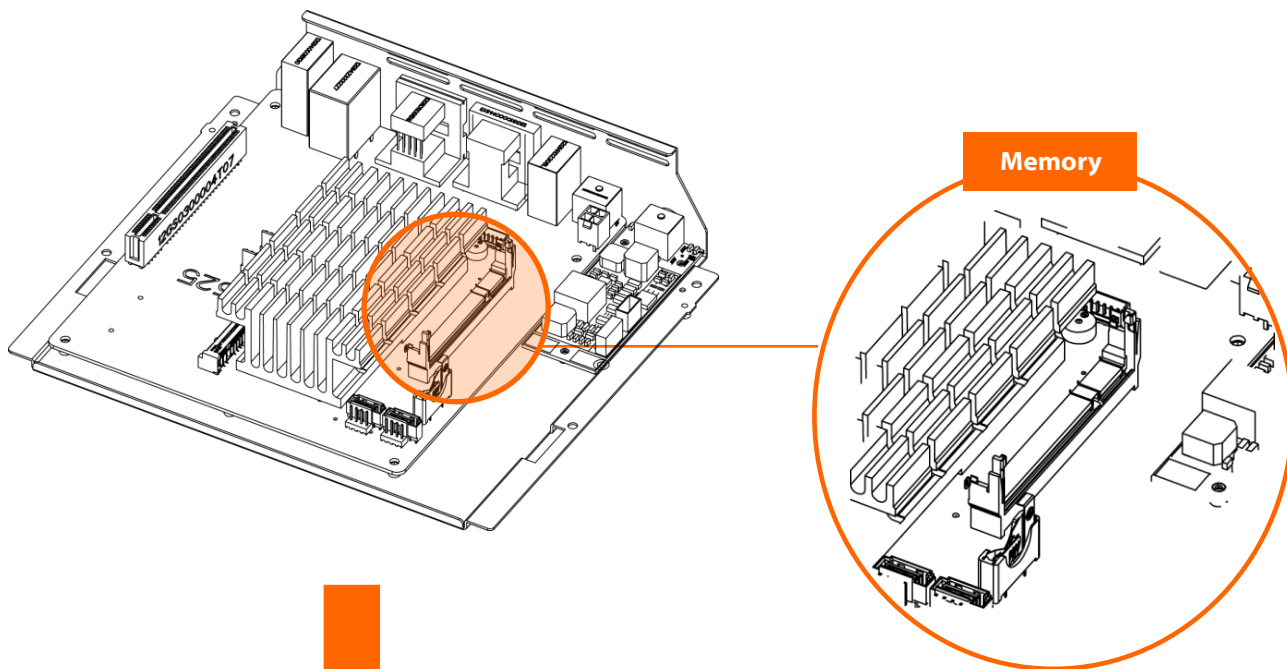


Step 2. Reverse the Heat Sink.

Step 3. Separate the Heat Sink after removing 5 screws.

(9) Memory Replacement

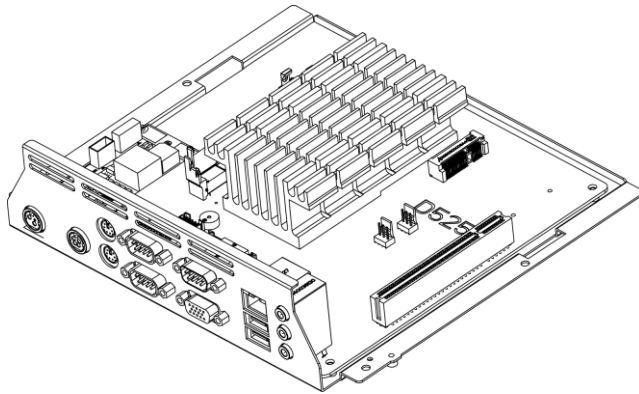
Memory Replacement



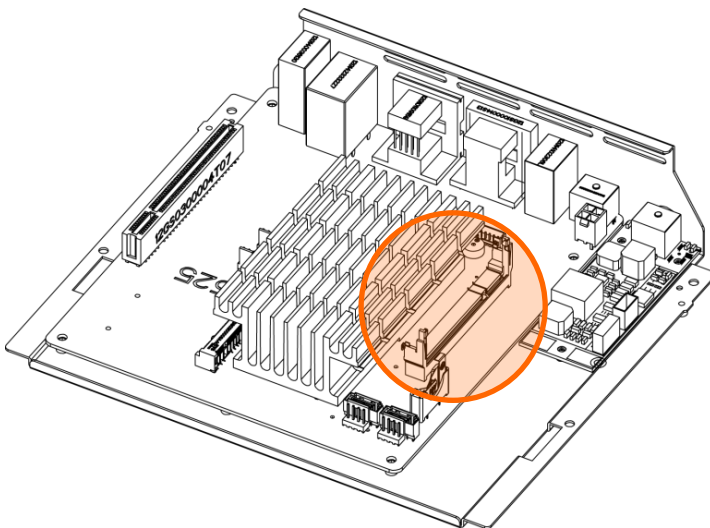
Memory Configurations

You may install 256 MB, 512 MB, 1GB, 2 GB and 4G unbuffered ECC or non-ECC DDR SO-DIMMs into the SO-DIMM sockets using the memory configurations in this section.

Memory Replacement



Step 1. Remove motherboard mounting panel (Please refer to P.90~91)

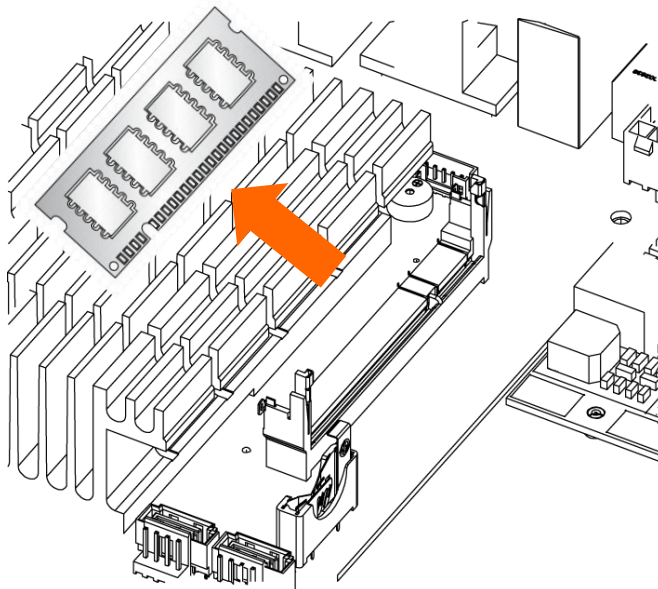


Step 2. locate the memory(SO-DIMM) socket. (see Figure)

Memory Replacement

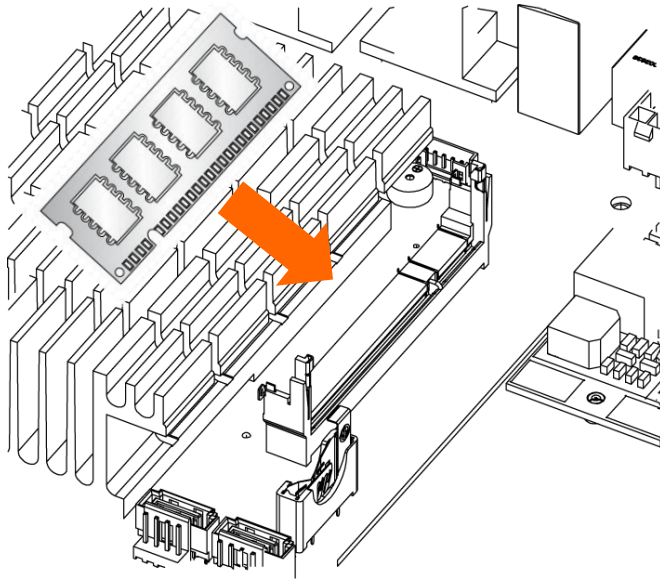


Step 3. Gently spread the retaining clips at each end of the memory socket. The memory(SO-DIMM) pops out of the socket.

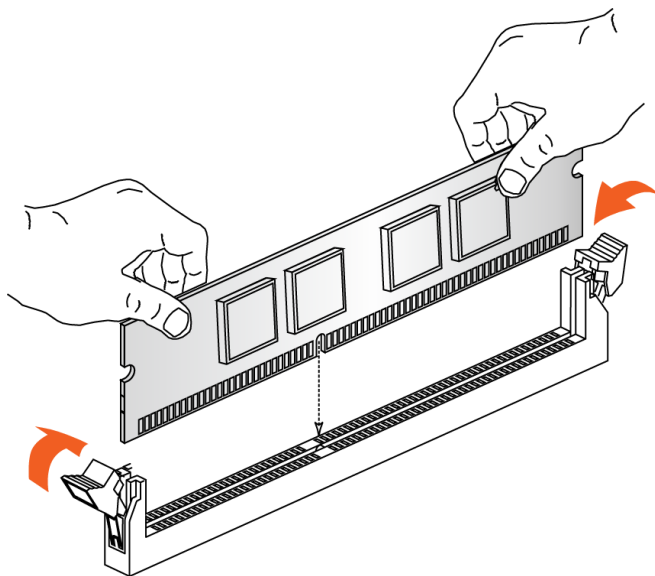


Step 4. Remove the memory(SO-DIMM) from the socket.

Memory Replacement



Step 5. To replace new memory; Position the new memory above the socket.

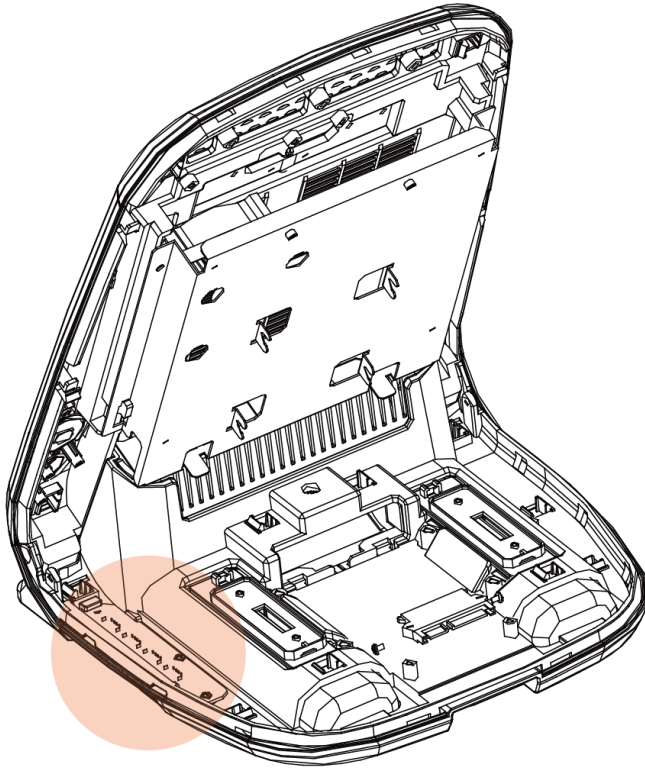


Step 6. Align the small notch at the bottom edge of the memory with the keys in the socket.

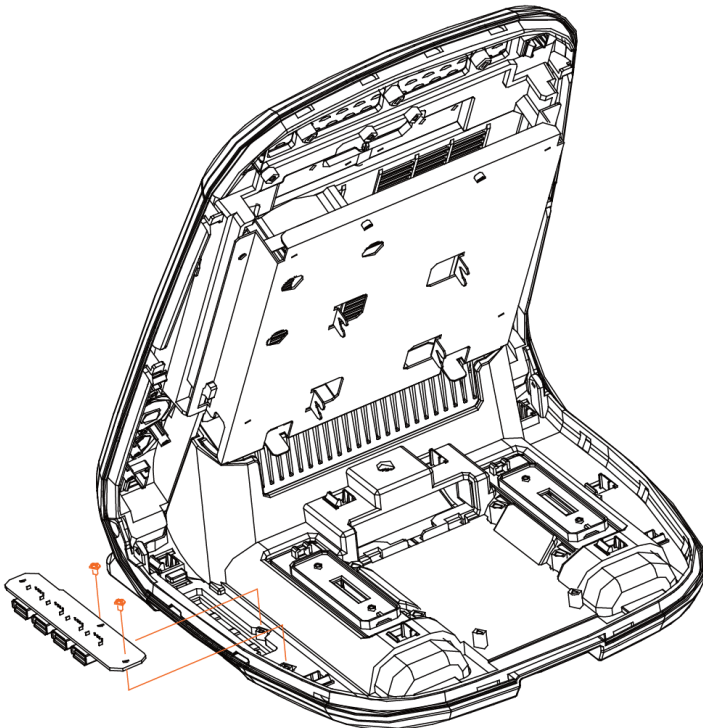
Step 7. When the memory is inserted, push down on the top edge of the memory until the retaining clips snap into place. Make sure the clips are firmly in place.

(10) Separating USB PCB

USB PCB



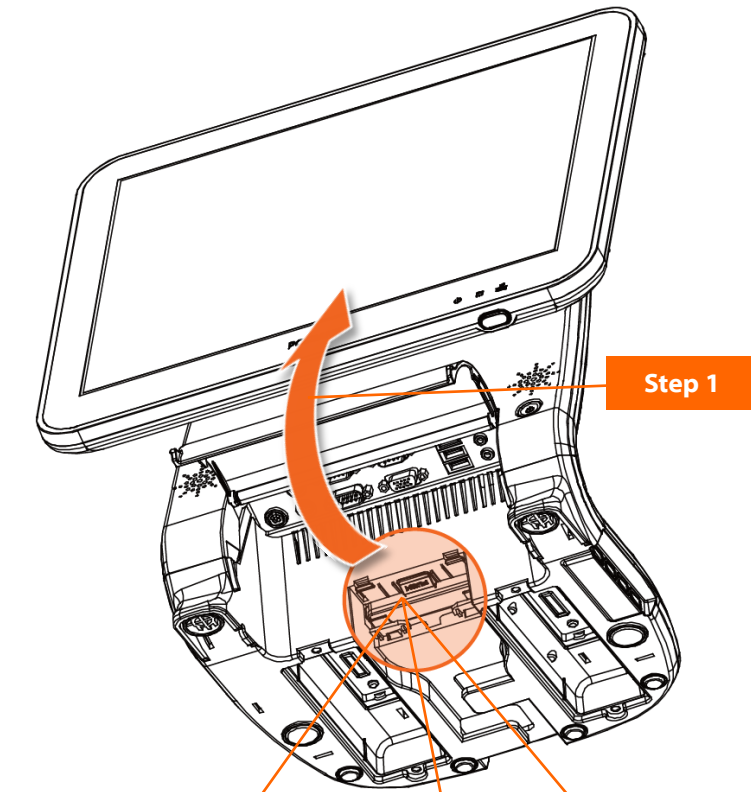
Step 1. Separate the Back cover.
(Please refer to Back cover separation part)



Step 2. Separate the USB PCB after
removing 2 screws.

(11) Separating SSD

SSD



Step 1

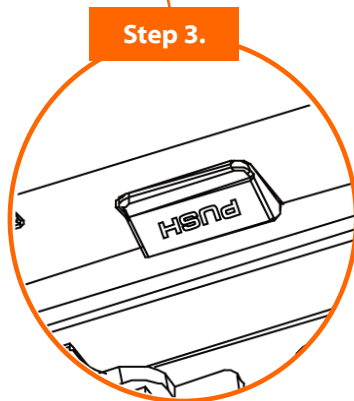
Step 1. Raise the main LCD Module. Pull the bottom and lift up the I/O port cover.

Step 2. Pull out the SSD cover from the bottom and remove.

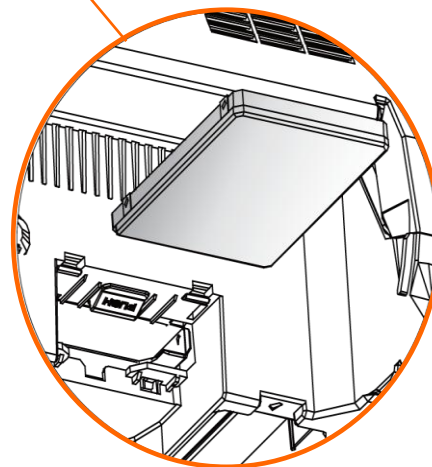
Step 3. Press up as shown and SSD will be ejected.



Step 2



Step 3.



Specification

AnyShop D5		
CPU		Intel Atom processor D525 (1M Cache, 1.8 GHz, Dual Core for Pineview D)
Chipset		Intel ICH8M
Storage		SATA HDD 2.5inch (Default 320GB), SSD is available by option
Memory		DDR3-800MHz SODIMM 2GB (MAX. 4GB)
VGA		Integrated Intel Gen3.5+GFX Render Core 400MHz (Pineview-D)
Display	Resolution	15" TFT-LCD 300 cd/m ² (1024 x 768 resolution)
	Touch screen	5-wired Resistive Touch
Internal I/O	USB	3 Ports (reserved for touch controller, SCR EMV card, Camera, MSR controller)
	RS-232	COM 4 reserved for CDP COM 5 & 6 with 9pin header
	VGA	Reserved for 2nd display (15pin header, Shared with external D-SUB port)
	Extension	Mini PCIe
	LVDS	24bit LVDS
External I/O	USB	Rear 2, Side 2
	PS/2	Mouse 1 / Keyboard 1
	RS-232	COM 1 ~ 3 with +5/12V power output on 9pin
	LAN	Realtek RTL 8111E Ethernet Controller
	VGA	Reserved for 2nd display (Shared with internal 15pin header)
	Speaker	2 x 0.8W (Stereo)
	Audio	ALC 892 GR Rear panel out(jack): Line-out, Mic-in, Line-in
Options	MSR	Comply with ISO 7811, Support 1 & 2 & 3 track
	SCR	EMV level 1
	Camera	Camera
	Dallas	Dallas I-button reader
	Cash Drawer port	Cash drawer port
	Customer display	VFD type (20 x 2)
	2nd LCD	10.1" LCD or 12.1" LCD or 15" LCD (1024 x 768 resolution)
	WiFi	Mini PCIe for wireless LAN
Operating Temperature		0 °C ~ 40 °C at 10% ~ 80% humidity
Storage Temperature		-20 °C ~ 60 °C at 10% ~ 80% humidity
Qualification		CE, FCC, KC, CCC
Power		Adaptor 12V, 5A
OS Support		Windows XP/XPE/7, WEPOS, POS Ready 2009/7
Dimension (W x H x D)		385 x 395 x 265(mm)

* MSR is not supported the PS/2 interface.

* Product specifications may differ according to location and may be changed without prior notice.