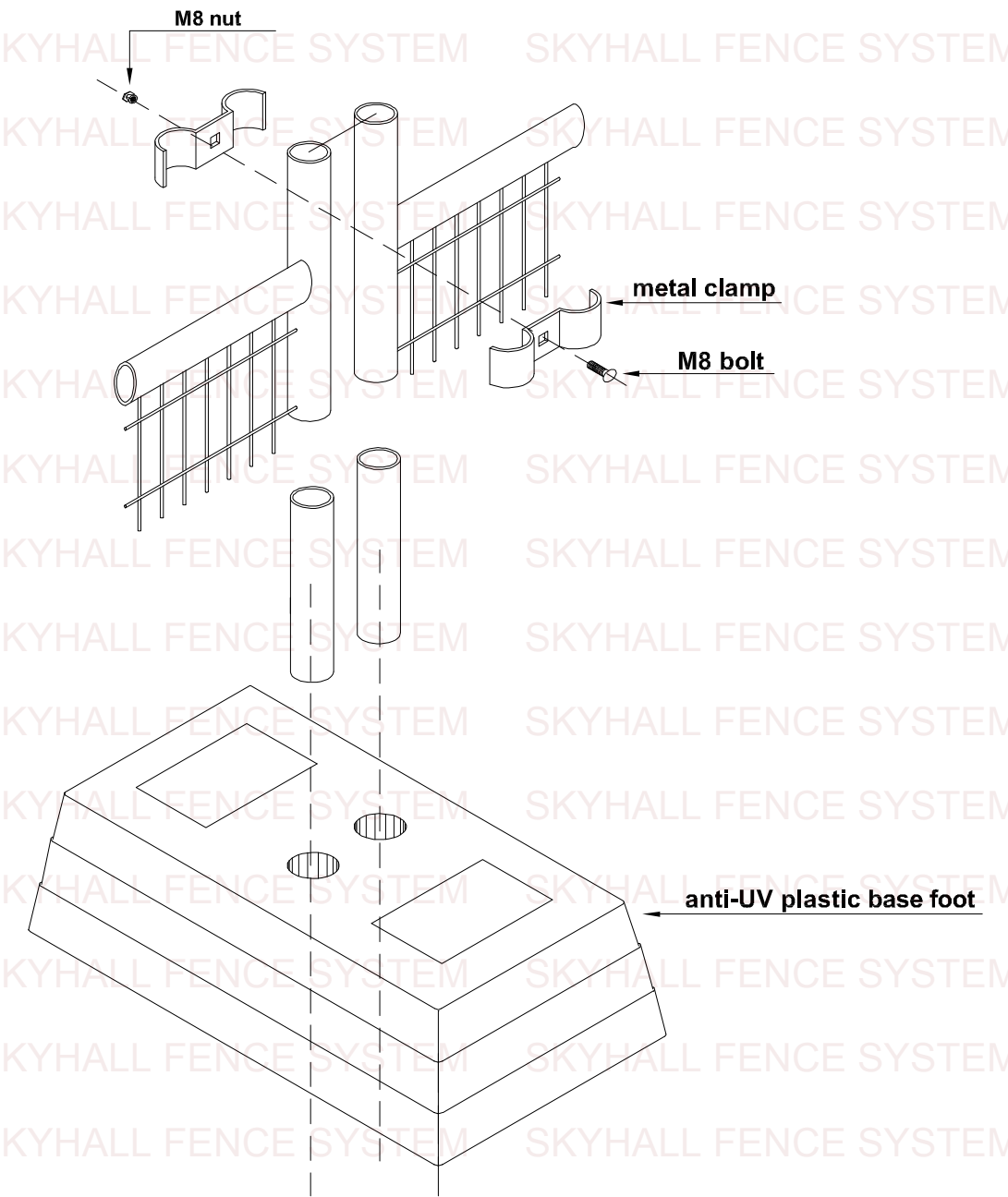
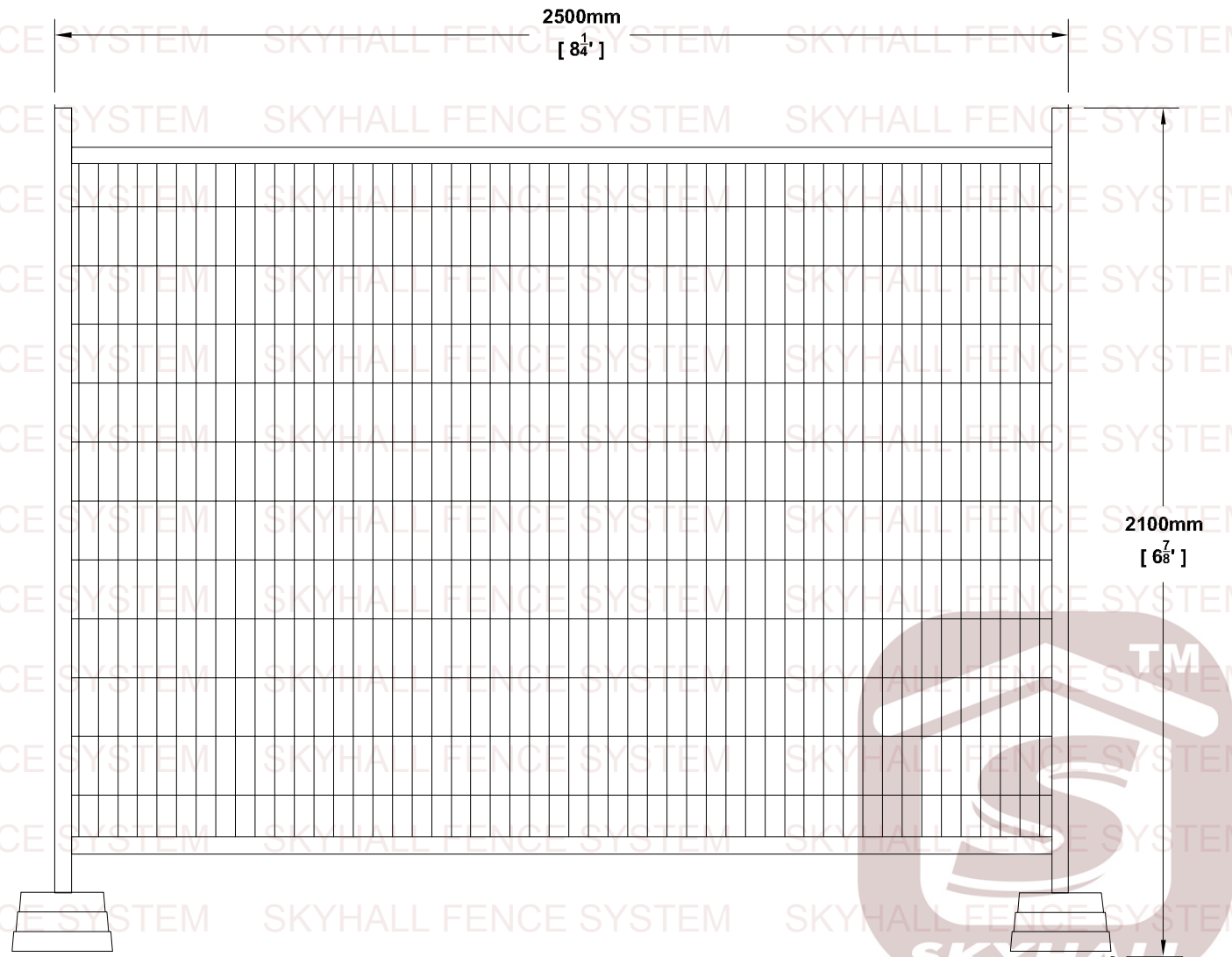


SKYHALL FENCE SYSTEM

ADDRESS: Room 1103, Import & Export building, #486 hepingxi rd, Xinhua district, Hebei province, China.

TEL: (0086) 311-8783-1537
FAX: (0086) 311-8610-2039

WEBSITE: www.skyhall.org
E-MAIL: info@skyhall.org



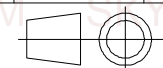
**SKYHALL 720 SERIES (PORTABLE FENCE)
SKYHALL FENCE SYSTEM**

Height	Width	Outside Pipe	Mesh Size	Surface
1400mm [4 ⁵ / ₈ ']	2500mm [8 ¹ / ₄ ']	32mm [1 ¹ / ₄ "]	100mm*50mm	hot-dipped galvanized
1600mm [5 ¹ / ₄ ']			150mm*50mm	
1800mm [5 ⁷ / ₈ ']				
2000mm [6 ¹ / ₂ ']	3000mm [9 ⁷ / ₈ ']	42mm [1 ⁵ / ₈ "]	200mm*50mm]	galvanized + PVC coated
2200mm [7 ¹ / ₄ ']				
2400mm [7 ⁷ / ₈ ']				

Rev	Date	Changed	By	Material	Q195/235	Spec
01	n/a	n/a		Mass	N/A	
02				SKYHALL FENCE 720 SERIES PORTABLE FENCE H=2.10M, W=2.50M, PLASTIC BASE FOOT		
03						
04						
05						
06				Status		Designer
07				Status by		Date



RAY HAN
2014-08-26



DIN A3
Scale 1:1

SKH720A0001

THIS DRAWING AND THE RELATED INFORMATION IS AND REMAINS THE EXCLUSIVE PROPERTY OF SKYHALL WITHOUT THE PRIOR WRITTEN CONSENT OF SKYHALL. THIS DRAWING AND THE RELATED INFORMATION MAY NEITHER BE COPIED OR REPRODUCED, NOR COMMUNICATED IN ANY WAY TO A THIRD PARTY, NOR USED FOR MANUFACTURING OUTSIDE SKYHALL EACH INFRINGEMENT OF THESE INTELLECTUAL PROPERTY RIGHTS OF SKYHALL SHALL GIVE RISE TO LEGAL PROCEEDINGS.