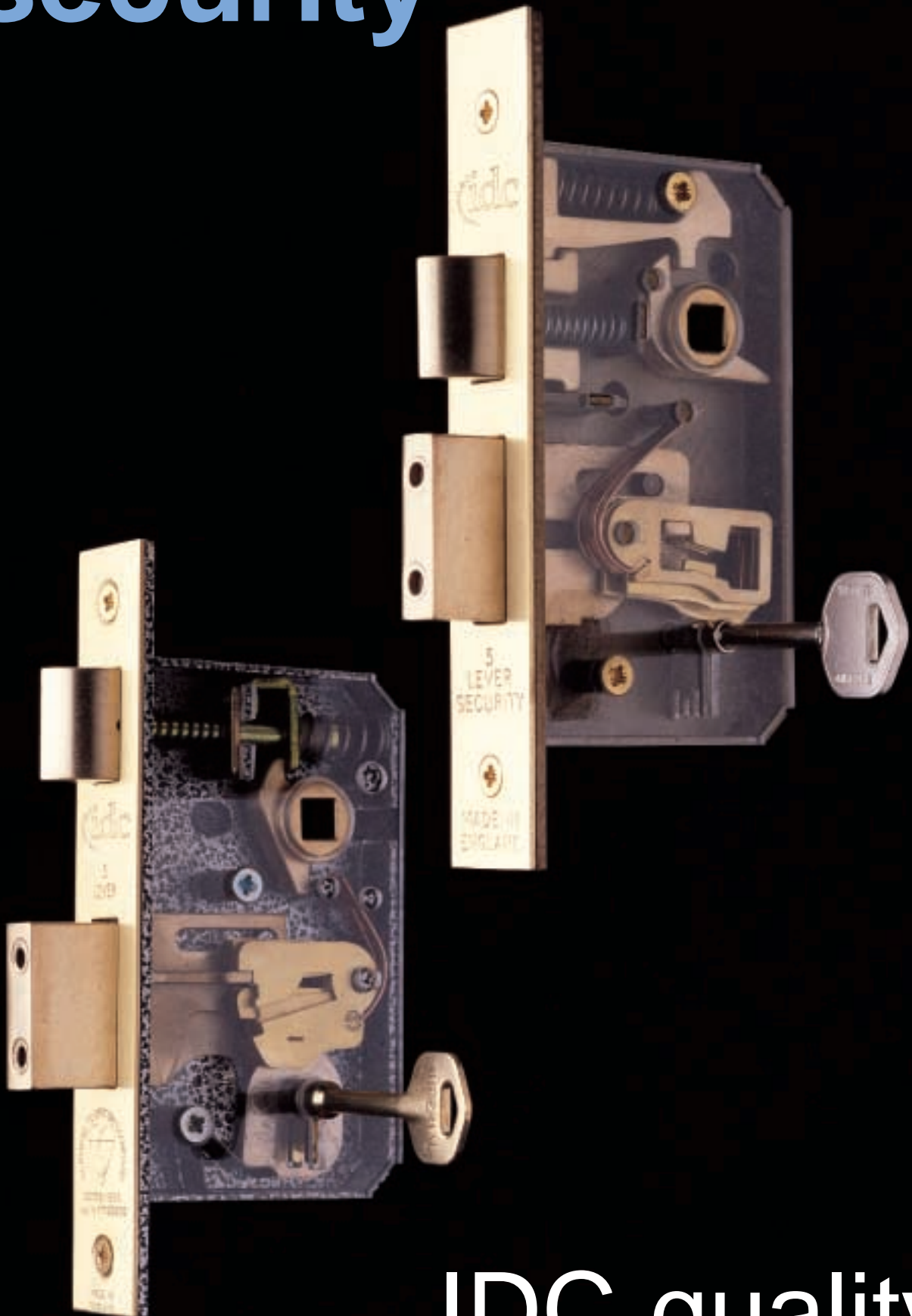




LOCKS & LATCHES



Uncompromising security



IDC quality

1000 Series 3 Lever Mortice Locks

Mortice Deadlock

Product codes Finish code

1	0	0	2	0	5
---	---	---	---	---	---

Satin Stainless Steel 63mm

1	0	0	2	1	0
---	---	---	---	---	---

Satin Brass 63mm

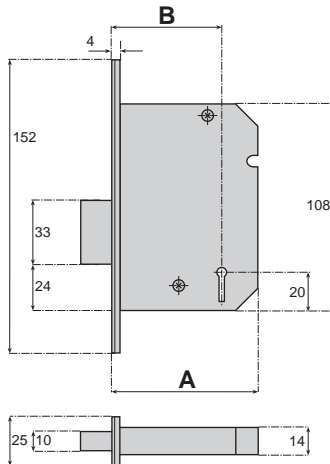
1	0	0	3	0	5
---	---	---	---	---	---

Satin Stainless Steel 76mm

1	0	0	3	1	0
---	---	---	---	---	---

Satin Brass 76mm

A	B	C
Lockcase	Backset	Centres
63	45	-
76	57	-



IDC 1002

63mm Standard Case Mortice Deadlock

IDC 1003

76mm Standard Case Mortice Deadlock

Operation : Deadbolt operated by key from either side

Deadbolt : Brass, projection 16mm

Differs : 100

Rebate kits : IDC10 (13mm) IDC11 (25mm)

Rebates : Refer to page 15 for further information on conversion kits

Key blank : 01

Mortice Deadlock

Product codes Finish code

1	0	1	2	0	5
---	---	---	---	---	---

Satin Stainless Steel 63mm

1	0	1	2	1	0
---	---	---	---	---	---

Satin Brass 63mm

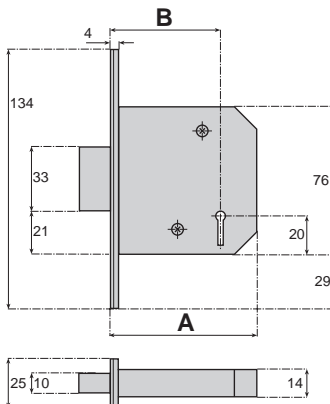
1	0	1	3	0	5
---	---	---	---	---	---

Satin Stainless Steel 76mm

1	0	1	3	1	0
---	---	---	---	---	---

Satin Brass 76mm

A	B	C
Lockcase	Backset	Centres
63	45	-
76	57	-



IDC 1012

63mm 3 Lever Mortice Deadlock

IDC 1013

76mm 3 Lever Mortice Deadlock

Operation : Deadbolt operated by key from either side

Deadbolt : Brass, projection 16mm

Differs : 100

Keys : Steel nickel plated, 2 supplied

Rebate kits : IDC14 (13mm) IDC15 (25mm)

Rebates : Refer to page 15 for further information on conversion kits

Key blank : 01

Mortice Sashlock

Product codes Finish code

1	0	2	2	0	5
---	---	---	---	---	---

Satin Stainless Steel 63mm

1	0	2	2	1	0
---	---	---	---	---	---

Satin Brass 63mm

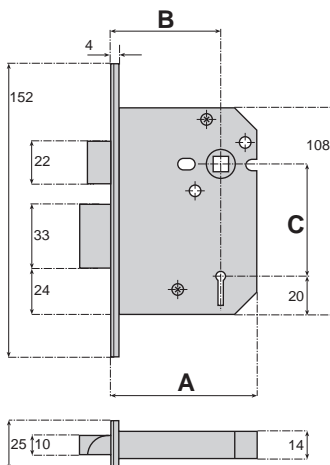
1	0	2	3	0	5
---	---	---	---	---	---

Satin Stainless Steel 76mm

1	0	2	3	1	0
---	---	---	---	---	---

Satin Brass 76mm

A	B	C
Lockcase	Backset	Centres
63	45	57
76	57	57



IDC 1022

63mm 3 Lever Mortice Sashlock

IDC 1023

76mm 3 Lever Mortice Sashlock

Operation : Latchbolt operated by lever from either side. Deadbolt operated by key from either side

Latchbolt : Brass, reversible, projection 12mm

Deadbolt : Brass, projection 16mm

Differs : 100

Keys : Steel nickel plated, 2 supplied

Rebate kits : IDC10 (13mm) IDC11 (25mm)

Rebates : Refer to page 15 for further information on conversion kits

Key blank : 01

1000 Series 3 Lever Mortice Locks

Mortice Roller Bolt Sashlock

Product codes Finish code

1	0	3	2	0	5
---	---	---	---	---	---

Satin Stainless Steel 63mm

1	0	3	2	1	0
---	---	---	---	---	---

Satin Brass 63mm

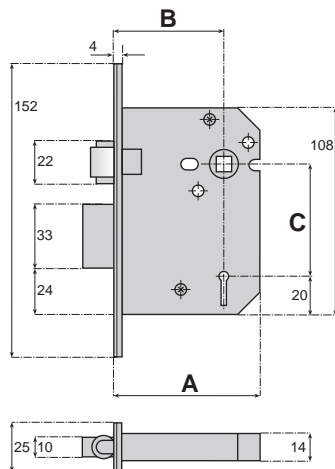
1	0	3	3	0	5
---	---	---	---	---	---

Satin Stainless Steel 76mm

1	0	3	3	1	0
---	---	---	---	---	---

Satin Brass 76mm

A	B	C
Lockcase	Backset	Centres
63	45	57
76	57	57



IDC 1032

63mm 3 Lever Mortice Roller Bolt Sashlock

IDC 1033

76mm 3 Lever Mortice Roller Bolt Sashlock

Operation : Rollerbolt operated by lever on both sides. Deadbolt operated by key either side

Rollerbolt : Brass, roller bolt to suit either hand, projection 12mm

Deadbolt : Brass, projection 16mm

Differs : 100

Keys : Steel nickel plated, 2 supplied

Rebate kits : IDC12 (13mm) IDC13 (25mm)

Rebates : Refer to page 15 for further information on conversion kits

Key blank : 01

Horizontal Mortice Lock

Product codes Finish code

1	0	4	5	0	5
---	---	---	---	---	---

Satin Stainless Steel 127mm

1	0	4	5	1	0
---	---	---	---	---	---

Satin Brass 127mm

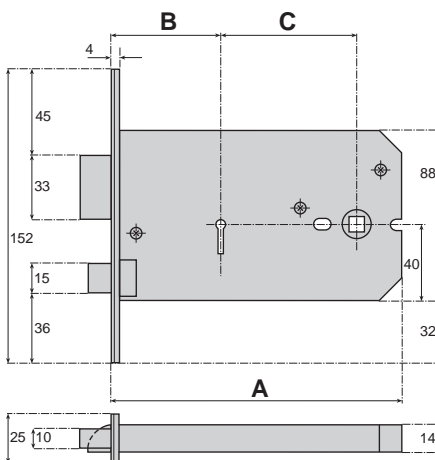
1	0	4	6	0	5
---	---	---	---	---	---

Satin Stainless Steel 151mm

1	0	4	6	1	0
---	---	---	---	---	---

Satin Brass 151mm

A	B	C
Lockcase	Backset	Centres
127	45	57
151	57	70



IDC 1045

127mm 3 Lever Horizontal Mortice Lock

IDC 1046

151mm 3 Lever Horizontal Mortice Lock

Operation : Latchbolt operated by lever or knob both sides. Deadbolt operated by key from either side

Latchbolt : Brass, reversible, projection 12mm

Deadbolt : Brass, projection 16mm

Differs : 100

Keys : Steel nickel plated, 2 supplied

Rebate kits : IDC16 (13mm) IDC17 (25mm)

Rebates : Refer to page 15 for further information on conversion kits

Key blank : 01

Mortice Escape Deadlock

Product codes Finish code

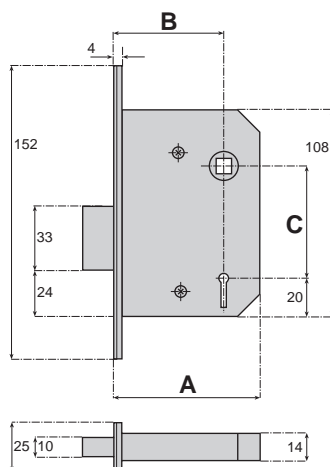
1	0	7	3	0	5
---	---	---	---	---	---

Satin Stainless Steel 76mm

1	0	7	3	1	0
---	---	---	---	---	---

Satin Brass 76mm

A	B	C
Lockcase	Backset	Centres
76	57	57



IDC 1073

76mm 3 Lever Mortice Escape Deadlock

Operation : Deadbolt operated by key from either side. Emergency exit achieved by depressing inside lever

Deadbolt : Brass, projection 13mm

Differs : 100

Keys : Steel nickel plated, 2 supplied

Rebate kits : IDC10 (13mm) IDC11 (25mm)

Rebates : Refer to page 15 for further information on conversion kits

Key blank : 01

Mortice Sliding Door Lock

Product codes Finish code

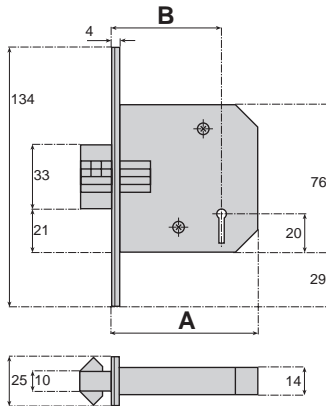
1	0	8	3	0	5
---	---	---	---	---	---

Satin Stainless Steel 76mm

1	0	8	3	1	0
---	---	---	---	---	---

Satin Brass 76mm

A	B	C
Lockcase	Backset	Centres
76	57	-



IDC 1083

76mm 3 Lever Mortice Sliding Door Lock

Operation : Deadbolt operated by key from either side

Deadbolt : Brass expanded claw, projection 16mm

Differs : 100

Keys : Steel nickel plated, 2 supplied

Rebate kits : IDC14 (13mm) IDC15 (25mm)

Rebates : Refer to page 15 for further information on conversion kits

Key blank : 01

Mortice Night Latch

Product codes Finish code

1	0	9	3	0	5
---	---	---	---	---	---

LH, Satin Stainless Steel 76mm

1	0	9	3	1	0
---	---	---	---	---	---

LH, Satin Brass 76mm

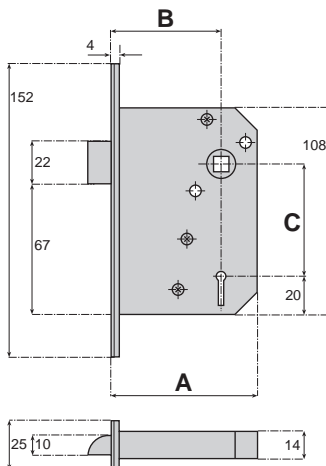
1	0	9	4	0	5
---	---	---	---	---	---

RH, Satin Stainless Steel 76mm

1	0	9	4	1	0
---	---	---	---	---	---

RH, Satin Brass 76mm

A	B	C
Lockcase	Backset	Centres
76	57	57



IDC 1093

76mm 3 Lever Mortice Night Latch LH

IDC 1094

76mm 3 Lever Mortice Night Latch RH

Operation : Latchbolt to spring only, operated by key from the outside and lever or knob from inside

Latchbolt : Brass, specify hand, projection 12mm

Differs : 50

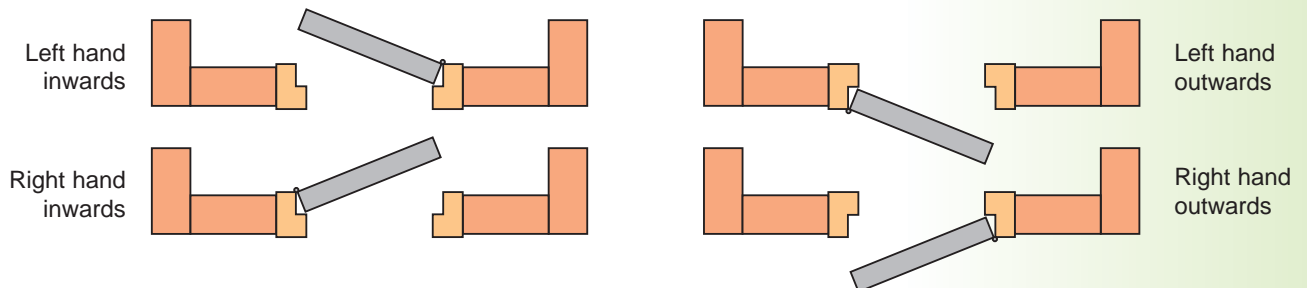
Keys : Steel nickel plated, 2 supplied

Rebate kits : IDC10 (13mm) IDC11 (25mm)

Rebates : Refer to page 15 for further information on conversion kits

Key blank : 01

Handing



2000 Series 5 Lever Mortice Locks

Mortice Deadlock

Product codes Finish code

2	0	0	2	0	5
---	---	---	---	---	---

Satin Stainless Steel 63mm

2	0	0	2	1	0
---	---	---	---	---	---

Satin Brass 63mm

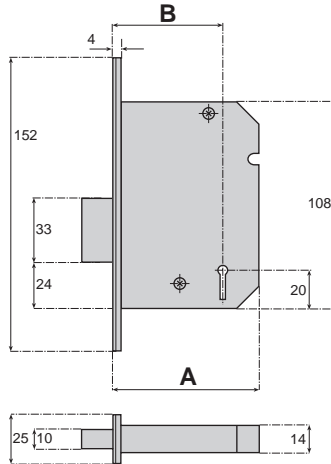
2	0	0	3	0	5
---	---	---	---	---	---

Satin Stainless Steel 76mm

2	0	0	3	1	0
---	---	---	---	---	---

Satin Brass 76mm

A	B	C
Lockcase	Backset	Centres
63	45	-
76	57	-



IDC 2002

63mm 5 Lever Mortice Deadlock

IDC 2003

76mm 5 Lever Mortice Deadlock

Operation : Deadbolt operated by key from either side

Deadbolt : Brass, complete with two hardened steel rollers. Projection 16mm

Differs : 200

Keys : Steel nickel plated, 2 supplied

Rebate kits : IDC10 (13mm) IDC11 (25mm)

Rebates : Refer to page 15 for further information on conversion kits

Key blank : 01

Mortice Deadlock

Product codes Finish code

2	0	1	2	0	5
---	---	---	---	---	---

Satin Stainless Steel 63mm

2	0	1	2	1	0
---	---	---	---	---	---

Satin Brass 63mm

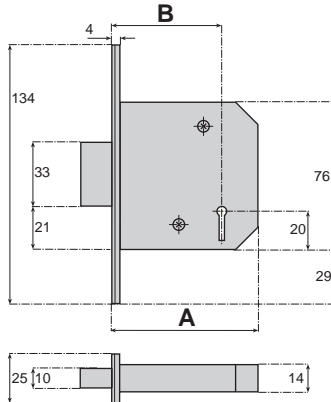
2	0	1	3	0	5
---	---	---	---	---	---

Satin Stainless Steel 76mm

2	0	1	3	1	0
---	---	---	---	---	---

Satin Brass 76mm

A	B	C
Lockcase	Backset	Centres
63	45	-
76	57	-



IDC 2012

63mm 5 Lever Mortice Deadlock

IDC 2013

76mm 5 Lever Mortice Deadlock

Operation : Deadbolt operated by key from either side

Deadbolt : Brass, complete with two hardened steel rollers. Projection 16mm

Differs : 200

Keys : Steel nickel plated, 2 supplied

Rebate kits : IDC14 (13mm) IDC15 (25mm)

Rebates : Refer to page 15 for further information on conversion kits

Key blank : 01

Mortice Sashlock

Product codes Finish code

2	0	2	2	0	5
---	---	---	---	---	---

Satin Stainless Steel 63mm

2	0	2	2	1	0
---	---	---	---	---	---

Satin Brass 63mm

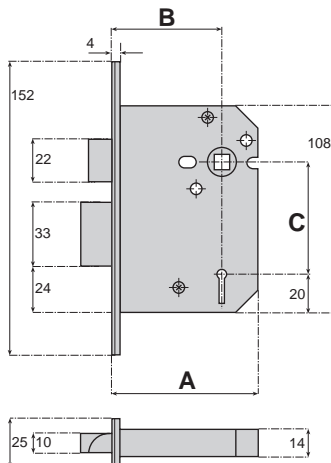
2	0	2	3	0	5
---	---	---	---	---	---

Satin Stainless Steel 76mm

2	0	2	3	1	0
---	---	---	---	---	---

Satin Brass 76mm

A	B	C
Lockcase	Backset	Centres
63	45	57
76	57	57



IDC 2022

63mm 5 Lever Mortice Sashlock

IDC 2023

76mm 5 Lever Mortice Sashlock

Operation : Latchbolt operated by lever handle both sides. Deadbolt operated by key from either side

Latchbolt : Brass, reversible, projection 12mm

Deadbolt : Brass, complete with two hardened steel rollers. Projection 16mm

Differs : 200

Keys : Steel nickel plated, 2 supplied

Rebate kits : IDC10 (13mm) IDC11 (25mm)

Rebates : Refer to page 15 for further information on conversion kits

Key blank : 01

Mortice Roller Bolt Sashlock

Product codes Finish code

2	0	3	2	0	5
---	---	---	---	---	---

Satin Stainless Steel 63mm

2	0	3	2	1	0
---	---	---	---	---	---

Satin Brass 63mm

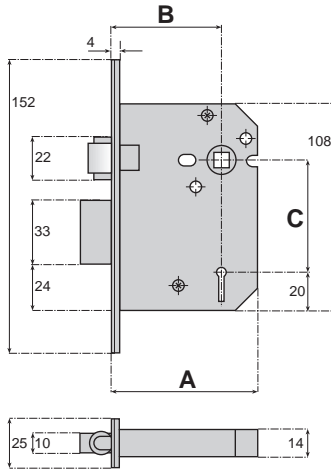
2	0	3	3	0	5
---	---	---	---	---	---

Satin Stainless Steel 76mm

2	0	3	3	1	0
---	---	---	---	---	---

Satin Brass 76mm

A	B	C
Lockcase	Backset	Centres
63	45	57
76	57	57



IDC 2032

63mm 5 Lever Mortice Roller Bolt Sashlock

IDC 2033

76mm 5 Lever Mortice Roller Bolt Sashlock

Operation : Roller bolt operated by lever handle both sides.

Deadbolt operated by key from either side

Rollerbolt : Brass, roller bolt to suit either hand, projection 12mm

Deadbolt : Brass, complete with two hardened steel rollers. Projection 16mm

Differs : 200

Keys : Steel nickel plated, 2 supplied

Rebate kits : IDC12 (13mm) IDC13 (25mm)

Rebates : Refer to page 15 for further information on conversion kits

Key blank : 01

Horizontal Mortice Lock

Product codes Finish code

2	0	4	5	0	5
---	---	---	---	---	---

Satin Stainless Steel 127mm

2	0	4	5	1	0
---	---	---	---	---	---

Satin Brass 127mm

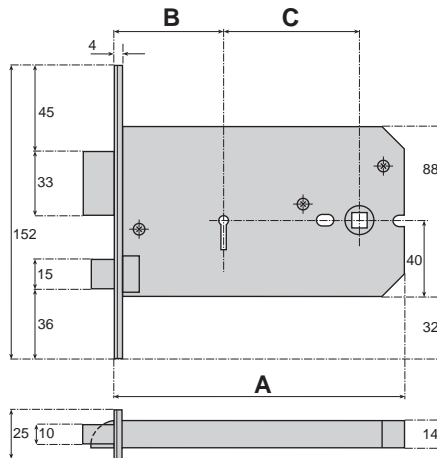
2	0	4	6	0	5
---	---	---	---	---	---

Satin Stainless Steel 151mm

2	0	4	6	1	0
---	---	---	---	---	---

Satin Brass 151mm

A	B	C
Lockcase	Backset	Centres
127	45	57
151	57	70



IDC 2045

127mm 5 Lever Horizontal Mortice Lock

IDC 2046

151mm 5 Lever Horizontal Mortice Lock

Operation : Latchbolt operated by lever handle or knob both sides. Deadbolt operated by key from either side

Deadbolt : Brass, complete with two hardened steel rollers. Projection 16mm

Differs : 200

Keys : Steel nickel plated, 2 supplied

Rebate kits : IDC16 (13mm) IDC17 (25mm)

Rebates : Refer to page 15 for further information on conversion kits

Key blank : 01

BS3621 Mortice Deadlock

Product codes Finish code

2	0	5	2	0	5
---	---	---	---	---	---

Satin Stainless Steel 63mm

2	0	5	2	1	0
---	---	---	---	---	---

Satin Brass 63mm

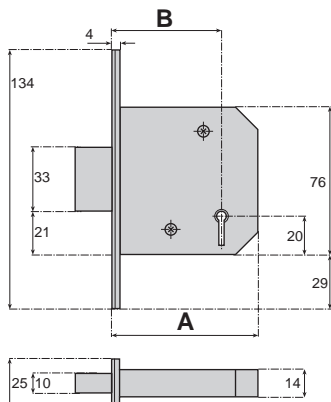
2	0	5	3	0	5
---	---	---	---	---	---

Satin Stainless Steel 76mm

2	0	5	3	1	0
---	---	---	---	---	---

Satin Brass 76mm

A	B	C
Lockcase	Backset	Centres
63	45	-
76	57	-



IDC 2052

63mm 5 Lever British Standard Mortice Deadlock

IDC 2053

76mm 5 Lever British Standard Mortice Deadlock

Operation : Deadbolt operated by key from either side

Deadbolt : Brass, complete with two hardened steel rollers. Projection 20mm

Differs : 1000

Keys : Brass, 2 supplied

Rebate kits : IDC23 (13mm) IDC24 (25mm)

Rebates : Refer to page 15 for further information on conversion kits

Key blank : 02

2000 Series 5 Lever Mortice Locks

BS3621 Mortice Sashlock

Product codes Finish code

2	0	6	2	0	5
---	---	---	---	---	---

Satin Stainless Steel 63mm

2	0	6	2	1	0
---	---	---	---	---	---

Satin Brass 63mm

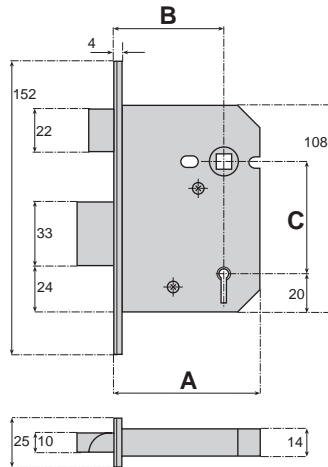
2	0	6	3	0	5
---	---	---	---	---	---

Satin Stainless Steel 76mm

2	0	6	3	1	0
---	---	---	---	---	---

Satin Brass 76mm

A	B	C
Lockcase	Backset	Centres
63	45	57
76	57	57



IDC 2062

63mm 5 Lever British Standard Mortice Sashlock

IDC 2063

76mm 5 Lever British Standard Mortice Sashlock

Operation : Latchbolt operated by lever handle both sides.
Deadbolt operated by key from either side

Latchbolt : Brass, reversible, projection 12mm

Deadbolt : Brass, complete with two hardened steel rollers.
Projection 20mm

Differs : 1000

Keys : Brass, 2 supplied

Rebate kits : IDC21 (13mm) IDC22 (25mm)

Rebates : Refer to page 15 for further information on conversion kits

Key blank : 02

3000 Series Cylinder Mortice Locks

Mortice Deadlock

Product codes Finish code

3	0	0	2	0	5
---	---	---	---	---	---

Satin Stainless Steel 63mm

3	0	0	2	1	0
---	---	---	---	---	---

Satin Brass 63mm

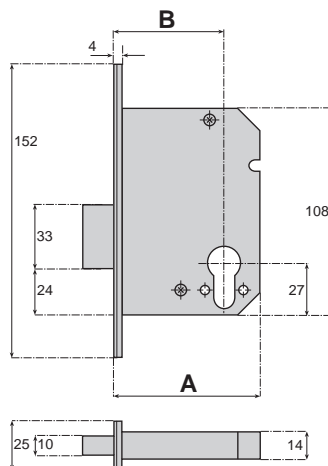
3	0	0	3	0	5
---	---	---	---	---	---

Satin Stainless Steel 76mm

3	0	0	3	1	0
---	---	---	---	---	---

Satin Brass 76mm

A	B	C
Lockcase	Backset	Centres
63	45	-
76	57	-



IDC 3002

63mm Mortice Deadlock

IDC 3003

76mm Mortice Deadlock

Operation : Deadbolt operated by cylinder from either side

Deadbolt : Brass, complete with two hardened steel rollers.
Projection 14mm

Cylinder : Refer to pages 19-21 for cylinder options

Rebate kits : IDC10 (13mm) IDC11 (25mm)

Rebates : Refer to page 15 for further information on conversion kits

Mortice Deadlock

Product codes Finish code

3	0	1	2	0	5
---	---	---	---	---	---

Satin Stainless Steel 63mm

3	0	1	2	1	0
---	---	---	---	---	---

Satin Brass 63mm

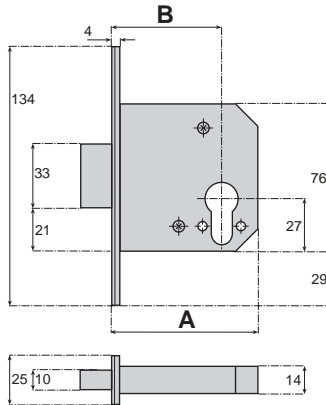
3	0	1	3	0	5
---	---	---	---	---	---

Satin Stainless Steel 76mm

3	0	1	3	1	0
---	---	---	---	---	---

Satin Brass 76mm

A	B	C
Lockcase	Backset	Centres
63	45	-
76	57	-



IDC 3012

63mm Mortice Deadlock

IDC 3013

76mm Mortice Deadlock

Operation : Deadbolt operated from either side

Deadbolt : Brass, expanded claw. Projection 14mm

Cylinder : Refer to pages 19-21 for cylinder options

Rebate kits : IDC14 (13mm) IDC15 (25mm)

Rebates : Refer to page 15 for further information on conversion kits

Mortice Sashlock

Product codes Finish code

3	0	2	2	0	5
---	---	---	---	---	---

Satin Stainless Steel 63mm

3	0	2	2	1	0
---	---	---	---	---	---

Satin Brass 63mm

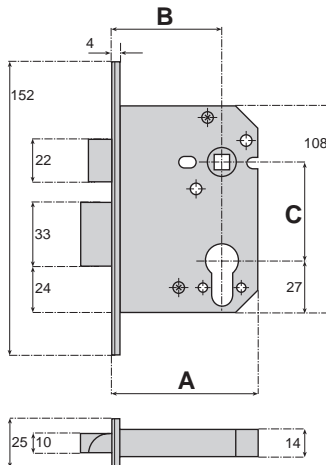
3	0	2	3	0	5
---	---	---	---	---	---

Satin Stainless Steel 76mm

3	0	2	3	1	0
---	---	---	---	---	---

Satin Brass 76mm

A	B	C
Lockcase	Backset	Centres
63	45	48
76	57	48



IDC 3022

63mm Mortice Sashlock

IDC 3023

76mm Mortice Sashlock

Operation : Latchbolt operated by lever handle both sides. Deadbolt operated by cylinder from either side

Latchbolt : Brass, reversible, projection 12mm

Deadbolt : Brass, complete with two hardened steel rollers. Projection 14mm

Cylinder : Refer to pages 19-21 for cylinder options

Rebate kits : IDC10 (13mm) IDC11 (25mm)

Rebates : Refer to page 15 for further information on conversion kits

Mortice Roller Bolt Sashlock

Product codes Finish code

3	0	3	2	0	5
---	---	---	---	---	---

Satin Stainless Steel 63mm

3	0	3	2	1	0
---	---	---	---	---	---

Satin Brass 63mm

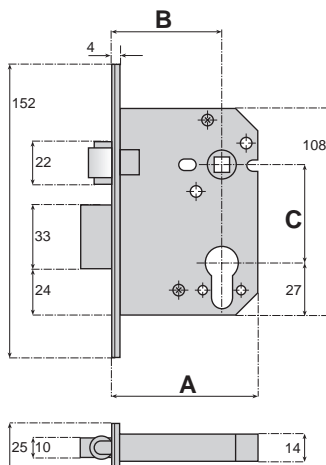
3	0	3	3	0	5
---	---	---	---	---	---

Satin Stainless Steel 76mm

3	0	3	3	1	0
---	---	---	---	---	---

Satin Brass 76mm

A	B	C
Lockcase	Backset	Centres
63	45	48
76	57	48



IDC 3032

63mm Mortice Roller Bolt Sashlock

IDC 3033

76mm Mortice Roller Bolt Sashlock

Operation : Roller bolt operated by lever handle both sides. Deadbolt operated by cylinder from either side

Rollerbolt : Brass, roller bolt to suit either hand, projection 12mm

Deadbolt : Brass, complete with two hardened steel rollers. Projection 14mm

Cylinder : Refer to pages 19-21 for cylinder options

Rebate kits : IDC12 (13mm) IDC13 (25mm)

Rebates : Refer to page 15 for further information on conversion kits

3000 Series Cylinder Mortice Locks

Horizontal Mortice Lock

Product codes Finish code

3	0	4	5	0	5
---	---	---	---	---	---

Satin Stainless Steel 127mm

3	0	4	5	1	0
---	---	---	---	---	---

Satin Brass 127mm

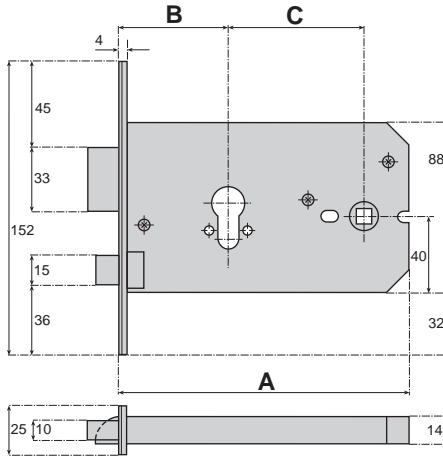
3	0	4	6	0	5
---	---	---	---	---	---

Satin Stainless Steel 151mm

3	0	4	6	1	0
---	---	---	---	---	---

Satin Brass 151mm

A	B	C
Lockcase	Backset	Centres
127	45	57
151	57	70



IDC 3045

127mm Horizontal Mortice Lock

IDC 3046

151mm Horizontal Mortice Lock

Operation : Latchbolt operated by lever handle or knob both sides. Deadbolt operated by cylinder from either side

Latchbolt : Brass, reversible, projection 12mm

Deadbolt : Brass, complete with two hardened steel rollers. Projection 14mm

Cylinder : Refer to pages 19-21 for cylinder options

Rebate kits : IDC16 (13mm) IDC17 (25mm)

Rebates : Refer to page 15 for further information on conversion kits

BS3621 Mortice Deadlock

Product codes Finish code

3	0	5	2	0	5
---	---	---	---	---	---

Satin Stainless Steel 63mm

3	0	5	2	1	0
---	---	---	---	---	---

Satin Brass 63mm

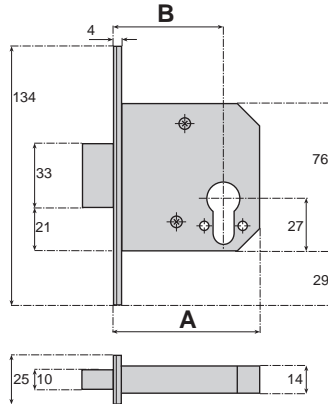
3	0	5	3	0	5
---	---	---	---	---	---

Satin Stainless Steel 76mm

3	0	5	3	1	0
---	---	---	---	---	---

Satin Brass 76mm

A	B	C
Lockcase	Backset	Centres
63	45	-
76	57	-



IDC 3052

63mm British Standard Mortice Deadlock

IDC 3053

76mm British Standard Mortice Deadlock

Operation : Deadbolt operated by cylinder from either side

Deadbolt : Brass, complete with two hardened steel rollers. Projection 16mm

Cylinder : AP2000 double cylinder, complete with security escutcheons

Rebate kits : IDC23 (13mm) IDC24 (25mm)

Rebates : Refer to page 15 for further information on conversion kits

BS3621 Mortice Sashlock

Product codes Finish code

3	0	6	2	0	5
---	---	---	---	---	---

Satin Stainless Steel 63mm

3	0	6	2	1	0
---	---	---	---	---	---

Satin Brass 63mm

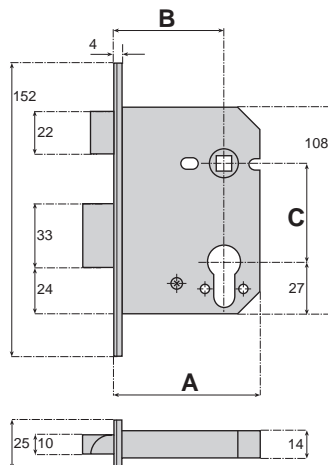
3	0	6	3	0	5
---	---	---	---	---	---

Satin Stainless Steel 76mm

3	0	6	3	1	0
---	---	---	---	---	---

Satin Brass 76mm

A	B	C
Lockcase	Backset	Centres
63	45	51
76	57	51



IDC 3062

63mm British Standard Mortice Sashlock

IDC 3063

76mm British Standard Mortice Sashlock

Operation : Latchbolt operated by lever handle both sides. Deadbolt operated by cylinder from either side

Latchbolt : Brass, reversible, projection 12mm

Deadbolt : Brass, complete with two hardened steel rollers. Projection 16mm

Cylinder : AP2000 double cylinder, complete with security escutcheons

Rebate kits : IDC21 (13mm) IDC22 (25mm)

Rebates : Refer to page 15 for further information on conversion kits

Mortice Escape Deadlock

Product codes Finish code

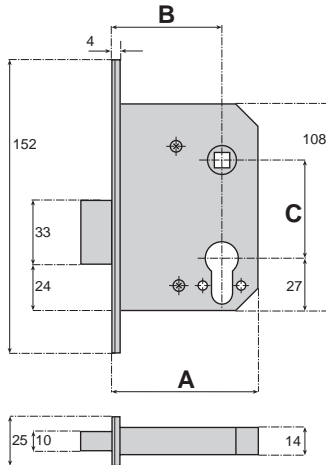
3	0	7	3	0	5
---	---	---	---	---	---

Satin Stainless Steel 76mm

3	0	7	3	1	0
---	---	---	---	---	---

Satin Brass 76mm

A	B	C
Lockcase	Backset	Centres
76	57	51



IDC 3073

76mm Mortice Escape Deadlock

Operation : Deadbolt operated by cylinder from either side. Emergency or rapid exit obtained by depressing lever from inside

Deadbolt : Brass, complete with two hardened steel rollers. Projection 13mm

Cylinder : Refer to pages 19-21 for cylinder options

Rebate kits : IDC10 (13mm) IDC11 (25mm)

Rebates : Refer to page 15 for further information on conversion kits

Mortice Sliding Door Lock

Product codes Finish code

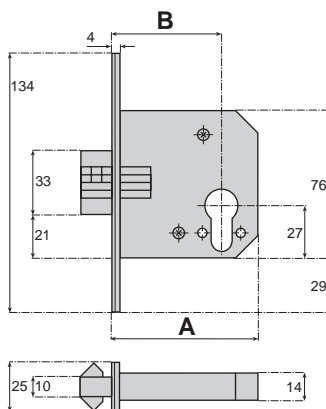
3	0	8	3	0	5
---	---	---	---	---	---

Satin Stainless Steel 76mm

3	0	8	3	1	0
---	---	---	---	---	---

Satin Brass 76mm

A	B	C
Lockcase	Backset	Centres
76	57	-



IDC 3083

76mm Mortice Sliding Door Lock

Operation : Deadbolt operated from either side

Deadbolt : Brass, expanded claw. Projection 14mm

Cylinder : Refer to pages 19-21 for cylinder options

Rebate kits : IDC14 (13mm) IDC15 (25mm)

Rebates : Refer to page 15 for further information on conversion kits

Mortice Night Latch

Product codes Finish code

3	0	9	3	0	5
---	---	---	---	---	---

LH, Satin Stainless Steel 76mm

3	0	9	3	1	0
---	---	---	---	---	---

LH, Satin Brass 76mm

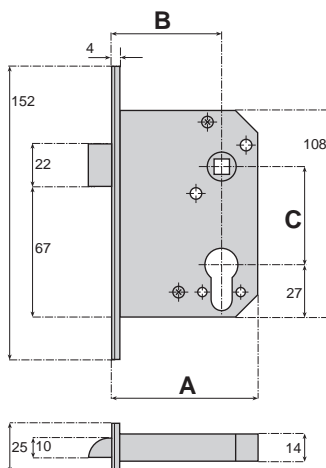
3	0	9	4	0	5
---	---	---	---	---	---

RH, Satin Stainless Steel 76mm

3	0	9	4	1	0
---	---	---	---	---	---

RH, Satin Brass 76mm

A	B	C
Lockcase	Backset	Centres
76	57	48



IDC 3093

76mm Mortice Night Latch, left hand

IDC 3094

76mm Mortice Night Latch, right hand

Operation : Latchbolt to spring only, operated by cylinder outside and lever or knob inside.

Latchbolt : Brass, projection 12mm. Please specify which hand

Cylinder : Refer to pages 19-21 for cylinder options

Rebate kits : IDC10 (13mm) IDC11 (25mm)

Rebates : Refer to page 15 for further information on conversion kits

3000 Series Cylinder Mortice Locks

Mortice Deadlock

Product codes Finish code

3	1	0	2	0	5
---	---	---	---	---	---

Satin Stainless Steel 63mm

3	1	0	2	1	0
---	---	---	---	---	---

Satin Brass 63mm

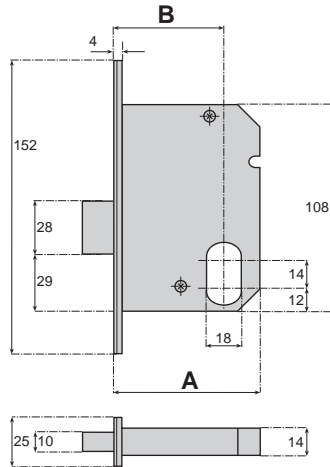
3	1	0	3	0	5
---	---	---	---	---	---

Satin Stainless Steel 76mm

3	1	0	3	1	0
---	---	---	---	---	---

Satin Brass 76mm

A	B	C
Lockcase	Backset	Centres
63	45	-
76	57	-



IDC 3102

63mm Mortice Deadlock

IDC 3103

76mm Mortice Deadlock

Operation : Deadbolt operated by cylinder from either side

Deadbolt : Brass, complete with two hardened steel rollers. Projection 14mm

Cylinder : Refer to pages 19-21 for cylinder options

Rebate kits : IDC10 (13mm) IDC11 (25mm)

Rebates : Refer to page 15 for further information on conversion kits

Mortice Sashlock

Product codes Finish code

3	1	2	2	0	5
---	---	---	---	---	---

Satin Stainless Steel 63mm

3	1	2	2	1	0
---	---	---	---	---	---

Satin Brass 63mm

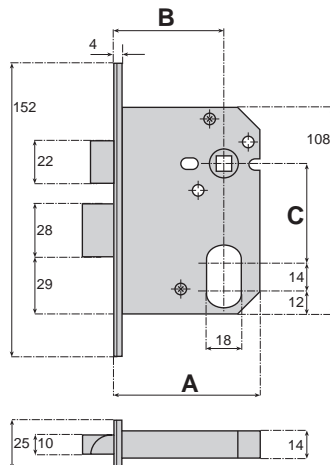
3	1	2	3	0	5
---	---	---	---	---	---

Satin Stainless Steel 76mm

3	1	2	3	1	0
---	---	---	---	---	---

Satin Brass 76mm

A	B	C
Lockcase	Backset	Centres
63	45	48.5
76	57	48.5



IDC 3122

63mm Mortice Sashlock

IDC 3123

76mm Mortice Sashlock

Operation : Latchbolt operated by lever handle both sides. Deadbolt operated by cylinder from either side

Latchbolt : Brass, reversible, projection 12mm

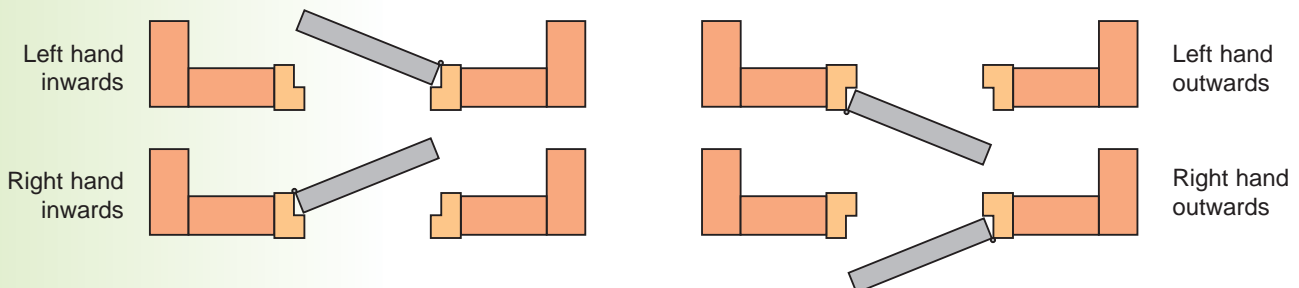
Deadbolt : Brass, complete with two hardened steel rollers. Projection 14mm.

Cylinder : Refer to pages 19-21 for cylinder options

Rebate kits : IDC10 (13mm) IDC11 (25mm)

Rebates : Refer to page 15 for further information on conversion kits

Handing



4000 Series Mortice Latches

Tubular Mortice Latch

Product codes Finish code

4	0	0	2	1	9
---	---	---	---	---	---

Nickel Plated 63mm

4	0	0	2	2	0
---	---	---	---	---	---

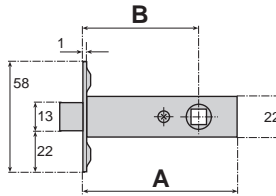
Electro Brass Plated 63mm

4	0	0	3	1	9
---	---	---	---	---	---

Nickel Plated 76mm

4	0	0	3	2	0
---	---	---	---	---	---

Electro Brass Plated 76mm



A	B
Lockcase	Backset
63	45
76	57

IDC 4002

63mm Tubular Mortice Latch

IDC 4003

76mm Tubular Mortice Latch

Operation : Latchbolt operated by lever handle or knob from either side

Latch bolt : Brass, latch reversible to suit either hand. Projection 9mm

Mortice Latch

Product codes Finish code

4	0	1	2	0	5
---	---	---	---	---	---

Satin Stainless Steel 63mm

4	0	1	2	1	0
---	---	---	---	---	---

Satin Brass 63mm

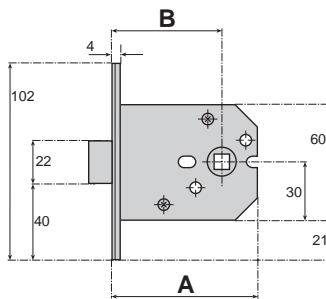
4	0	1	3	0	5
---	---	---	---	---	---

Satin Stainless Steel 76mm

4	0	1	3	1	0
---	---	---	---	---	---

Satin Brass 76mm

A	B	C
Lockcase	Backset	Centres
63	45	-
76	57	-



IDC 4012

63mm Mortice Latch

IDC 4013

76mm Mortice Latch

Operation : Latchbolt operated by lever handle from either side

Latchbolt : Brass, reversible to suit either hand. Projection 12mm

Rebate kits : IDC18 (13mm) IDC19 (25mm)

Rebates : Refer to page 15 for further information on conversion kits

Mortice Latch

Product codes Finish code

4	0	2	2	0	5
---	---	---	---	---	---

Satin Stainless Steel 63mm

4	0	2	2	1	0
---	---	---	---	---	---

Satin Brass 63mm

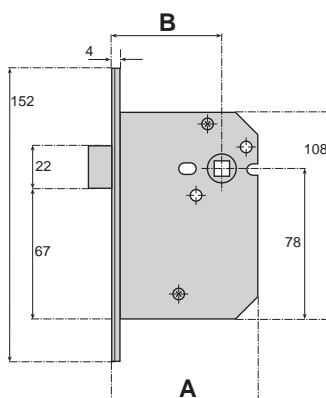
4	0	2	3	0	5
---	---	---	---	---	---

Satin Stainless Steel 76mm

4	0	2	3	1	0
---	---	---	---	---	---

Satin Brass 76mm

A	B	C
Lockcase	Backset	Centres
63	45	-
76	57	-



IDC 4022

63mm Mortice Latch

IDC 4023

76mm Mortice Latch

Operation : Latchbolt operated by lever handle both sides

Latchbolt : Brass, reversible, projection 12mm

Follower : Brass to suit 8mm square spindle. Heavy duty spring

Rebate kits : IDC10 (13mm) IDC11 (25mm)

Rebates : Refer to page 15 for further information on conversion kits

4000 Series Mortice Latches

Mortice Roller Bolt Latch

Product codes Finish code

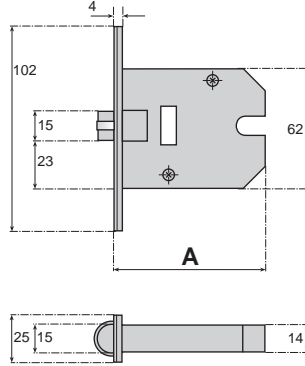
4	0	3	2	0	5
---	---	---	---	---	---

Satin Stainless Steel 63mm

4	0	3	2	1	0
---	---	---	---	---	---

Satin Brass 63mm

A	B	C
Lockcase	Backset	Centres
63	-	-



IDC 4032

63mm Heavy Duty Mortice Roller Bolt Latch

Operation : Roller bolt push or pull

Latchbolt : Brass, adjustable roller bolt

Tubular Mortice Latch

Product codes Finish code

4	0	4	3	0	5
---	---	---	---	---	---

Satin Stainless Steel 80mm

4	0	4	3	1	0
---	---	---	---	---	---

Satin Brass 80mm

4	0	4	4	0	5
---	---	---	---	---	---

Satin Stainless Steel 100mm

4	0	4	4	1	0
---	---	---	---	---	---

Satin Brass 100mm

4	0	4	5	0	5
---	---	---	---	---	---

Satin Stainless Steel 127mm

4	0	4	5	1	0
---	---	---	---	---	---

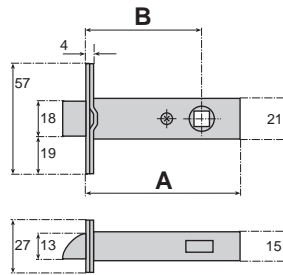
Satin Brass 127mm

4	0	4	6	0	5
---	---	---	---	---	---

Satin Stainless Steel 151mm

4	0	4	6	1	0
---	---	---	---	---	---

Satin Brass 151mm



A	B
Lockcase	Backset
80	60
100	75
127	100
151	130

IDC 4043

80mm Heavy Duty Tubular Mortice Latch

IDC 4044

100mm Heavy Duty Tubular Mortice Latch

IDC 4045

127mm Heavy Duty Tubular Mortice Latch

IDC 4046

151mm Heavy Duty Tubular Mortice Latch

Operation : Latchbolt operated by lever handle or knob both sides.

Latchbolt : Brass, latch reversible to suit either hand. Projection 12mm

Rebate kits : IDC20 (13mm)

Rebates : Refer to page 15 for further information on conversion kits

5000 Series Mortice Bathroom Locks

Bathroom Deadbolt

Product codes Finish code

5	0	1	2	0	5
---	---	---	---	---	---

Satin Stainless Steel 63mm

5	0	1	2	1	0
---	---	---	---	---	---

Satin Brass 63mm

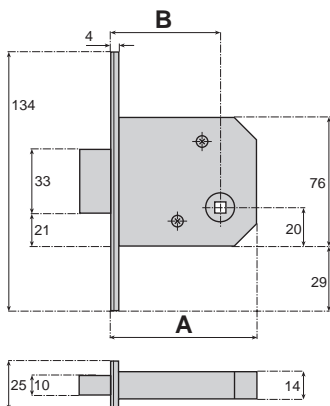
5	0	1	3	0	5
---	---	---	---	---	---

Satin Stainless Steel 76mm

5	0	1	3	1	0
---	---	---	---	---	---

Satin Brass 76mm

A Lockcase	B Backset	C Centres
63	45	-
76	57	-



IDC 5012

63mm Mortice Bathroom Deadbolt

IDC 5013

76mm Mortice Bathroom Deadbolt

Operation : Deadbolt operated by turn from either side

Deadbolt : Brass, Projection 14mm

Followers : Deadbolt 5mm standard

Rebate kits : IDC14 (13mm) IDC15 (25mm)

Rebates : Refer to page 15 for further information on conversion kits

Bathroom Lock

Product codes Finish code

5	0	2	2	0	5
---	---	---	---	---	---

Satin Stainless Steel 63mm

5	0	2	2	1	0
---	---	---	---	---	---

Satin Brass 63mm

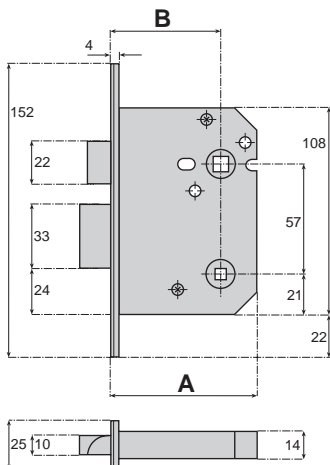
5	0	2	3	0	5
---	---	---	---	---	---

Satin Stainless Steel 76mm

5	0	2	3	1	0
---	---	---	---	---	---

Satin Brass 76mm

A Lockcase	B Backset	C Centres
63	45	57
76	57	57



IDC 5022

63mm Mortice Bathroom Lock

IDC 5023

76mm Mortice Bathroom Lock

Operation : Latchbolt operated by lever handle both sides.
Deadbolt operated by turn from either side

Deadbolt : Brass, Projection 14mm

Followers : Deadbolt 5mm standard

Rebate kits : IDC10 (13mm) IDC11 (25mm)

Rebates : Refer to page 15 for further information on conversion kits

Horizontal Bathroom Lock

Product codes Finish code

5	0	4	5	0	5
---	---	---	---	---	---

Satin Stainless Steel 127mm

5	0	4	5	1	0
---	---	---	---	---	---

Satin Brass 127mm

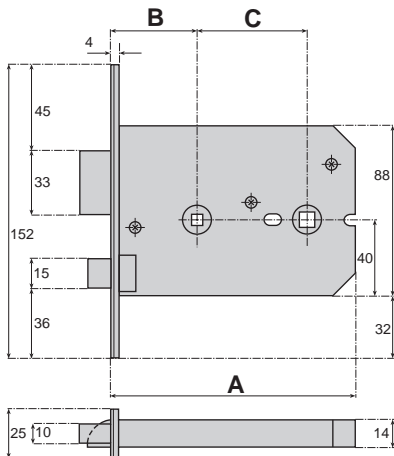
5	0	4	6	0	5
---	---	---	---	---	---

Satin Stainless Steel 151mm

5	0	4	6	1	0
---	---	---	---	---	---

Satin Brass 151mm

A Lockcase	B Backset	C Centres
127	45	57
151	57	70



IDC 5045

127mm Horizontal Mortice Bathroom Lock

IDC 5046

151mm Horizontal Mortice Bathroom Lock

Operation : Latchbolt operated by lever handle or knob both sides.
Deadbolt operated by turn from either side

Deadbolt : Brass, Projection 14mm

Followers : Deadbolt 5mm standard

Rebate kits : IDC16 (13mm) IDC17 (25mm)

Rebates : Refer to page 15 for further information on conversion kits

5000 Series Mortice Bathroom Locks

Bathroom Sliding Door Lock

Product codes Finish code

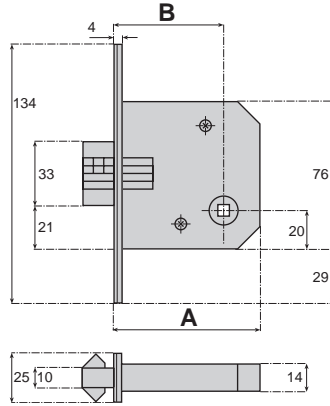
5	0	8	3	0	5
---	---	---	---	---	---

Satin Stainless Steel 76mm

5	0	8	3	1	0
---	---	---	---	---	---

Satin Brass 76mm

A	B	C
Lockcase	Backset	Centres
76	57	-



IDC 5083

76mm Mortice Bathroom Sliding Door Lock

Operation : Deadbolt operated by snib or knob from either side

Deadbolt : Brass, expanded claw. Projection 14mm

Follower : Deadbolt 5mm standard

Rebate kits : IDC14 (13mm) IDC15 (25mm)

Rebates : Refer to page 15 for further information on conversion kits

Bathroom Deadbolt

Product codes Finish code

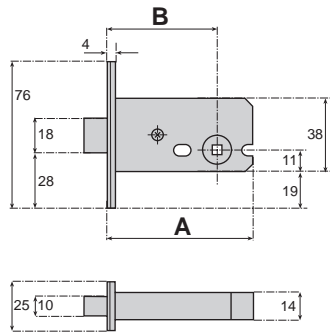
5	0	9	3	0	5
---	---	---	---	---	---

Satin Stainless Steel 76mm

5	0	9	3	1	0
---	---	---	---	---	---

Satin Brass 76mm

A	B	C
Lockcase	Backset	Centres
76	57	-



IDC 5093

76mm Mortice Bathroom Deadbolt

Operation : Deadbolt operated by turn from either side

Deadbolt : Diecast nickel plated.. Projection 8mm

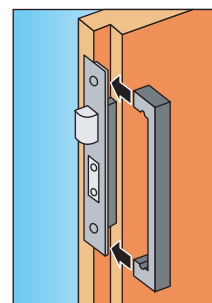
Follower : Deadbolt 5mm standard

Reversible Rebate Component Kits

Product code	Finish	Size	To suit lock reference code
0 0 1 0	2 3	Silver 13mm	1002, 1003, 1022, 1023, 1073, 1093, 1094,
0 0 1 0	2 5	Gold 13mm	2002, 2003, 2022, 2023, 3002, 3003, 3022,
0 0 1 1	2 3	Silver 25mm	3023, 3073, 3093, 3094, 3102, 3103, 3122,
0 0 1 1	2 5	Gold 25mm	3123, 4022, 4023, 5022, 5023
0 0 1 2	2 3	Silver 13mm	1032, 1033
0 0 1 2	2 5	Gold 13mm	2032, 2033
0 0 1 3	2 3	Silver 25mm	3032, 3033
0 0 1 3	2 5	Gold 25mm	
0 0 1 4	2 3	Silver 13mm	1012, 1013, 1083
0 0 1 4	2 5	Gold 13mm	2012, 2013
0 0 1 5	2 3	Silver 25mm	3012, 3013, 3083
0 0 1 5	2 5	Gold 25mm	5012, 5013, 5083
0 0 1 6	2 3	Silver 13mm	1045, 1046
0 0 1 6	2 5	Gold 13mm	2045, 2046
0 0 1 7	2 3	Silver 25mm	3045, 3046
0 0 1 7	2 5	Gold 25mm	5045, 5046
0 0 1 8	2 3	Silver 13mm	4012, 4013
0 0 1 8	2 5	Gold 13mm	
0 0 1 9	2 3	Silver 25mm	
0 0 1 9	2 5	Gold 25mm	
0 0 2 1	2 3	Silver 13mm	2062, 2063
0 0 2 1	2 5	Gold 13mm	3062, 3063
0 0 2 2	2 3	Silver 25mm	(B.S. Sashlocks)
0 0 2 2	2 5	Gold 25mm	
0 0 2 0	2 3	Silver 13mm	4043, 4044
0 0 2 0	2 5	Gold 13mm	4045, 4046
0 0 2 3	2 3	Silver 13mm	2052, 2053
0 0 2 3	2 5	Gold 13mm	3052, 3053
0 0 2 4	2 3	Silver 25mm	(B.S. Deadlocks)
0 0 2 4	2 5	Gold 25mm	

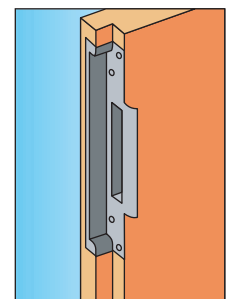
Fixing guide for Double Door Rebate sets

1. Follow your lock fitting instructions. Fit the lock central on the door with the forend flush with the TOP rebate.

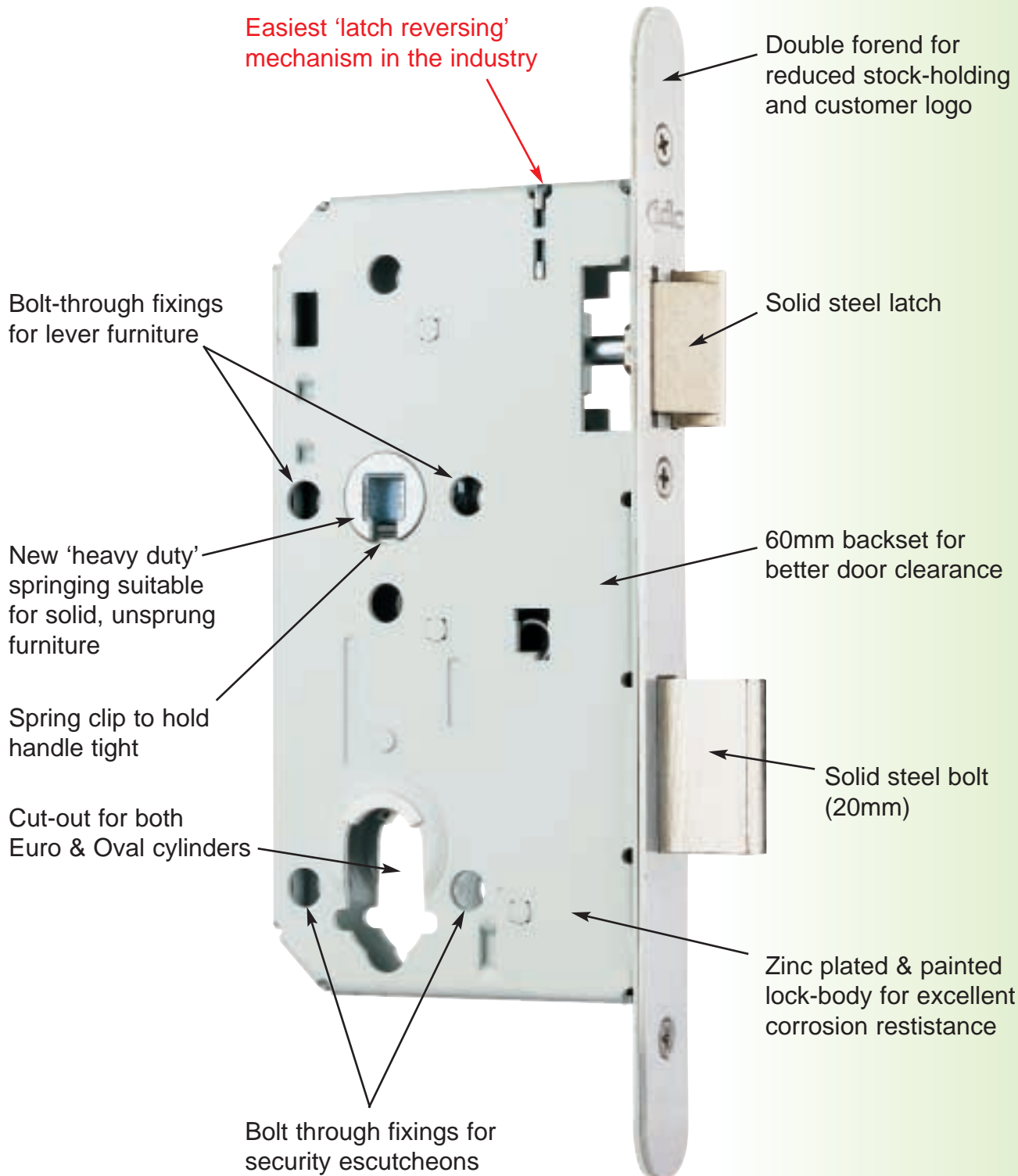


2. Before tightening the fixing screws insert the spacer part of the rebate set behind the lock forend and then fix the lock.

3. Throw out the deadbolt using the key and close the doors together. Mark the position on the deadbolt and latchbolt and fit the striking plate central on the door. The striking plate should be flush with the BOTTOM rebate and the integral spacer should be flush with the TOP rebate.



6100 Series Multi-function Locks



6100 Series Multi-function Locks



Mortice Anti-Panic Lock

Product codes Finish code

6	1	0	0	0	5
---	---	---	---	---	---

Satin Stainless Steel 88mm, RH Outward

6	1	0	1	0	5
---	---	---	---	---	---

Satin Stainless Steel 88mm, LH Outward

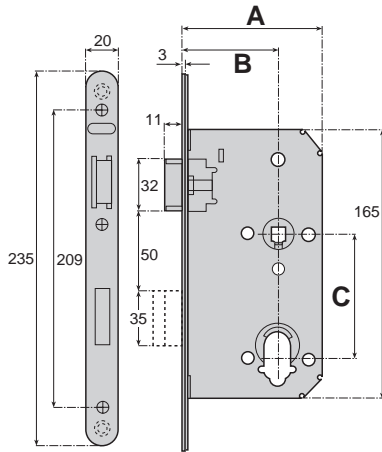
6	1	0	2	0	5
---	---	---	---	---	---

Satin Stainless Steel 88mm, RH Inward

6	1	0	3	0	5
---	---	---	---	---	---

Satin Stainless Steel 88mm, LH Inward

A	B	C
Lockcase	Backset	Centres
88	60	71 Oval 72 Euro



IDC 6100

Mortice Anti-Panic Lock

Operation : Inside lever handle retracts both latch and deadbolt simultaneously. From the outside the cylinder key operates the deadbolt only. Outside lever handle retracts the latchbolt only. When the deadbolt is withdrawn, the latchbolt can be operated by the lever handles from either side.

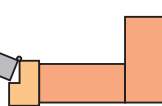
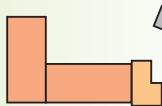
Deadbolt : Sintered steel. Projection 20mm, double throw

Latchbolt : Sintered steel. Quick reverse action

Cylinder : Refer to pages 19-21 for cylinder options

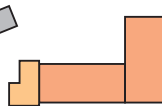
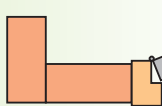
Handing

Left hand
inwards



Left hand
outwards

Right hand
inwards



Right hand
outwards

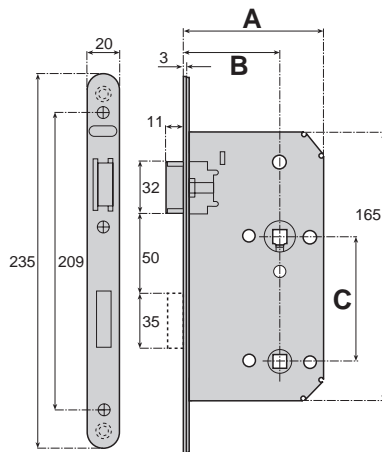
Mortice Bathroom Lock

Product code Finish code

6	1	0	4	0	5
---	---	---	---	---	---

Satin Stainless Steel 88mm

A	B	C
Lockcase	Backset	Centres
88	60	78



IDC 6104

Mortice Bathroom Lock

Operation : Latchbolt operates by lever handle both sides. Deadbolt operates by turn or emergency release

Deadbolt : Sintered steel. Projection 13mm

Latchbolt : Sintered steel. Quick reverse action

Thumbturn : 8mm follower

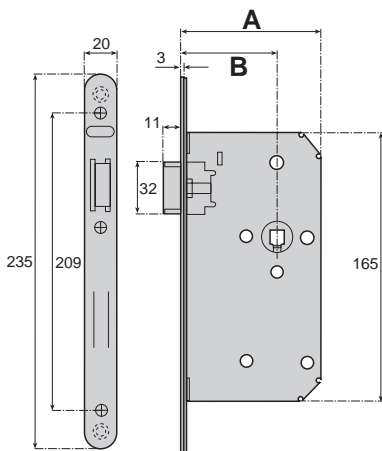
Mortice Latch

Product code Finish code

6	1	0	5	0	5
---	---	---	---	---	---

Satin Stainless Steel 88mm

A	B	C
Lockcase	Backset	Centres
88	60	-



IDC 6105

Mortice Latch

Operation : Latchbolt operated by lever handle both sides

Latchbolt : Sintered steel. Quick reverse action

Reversible Mortice lock range with dual compatibility for europrofile or oval cylinders.
Fire rated to 4 hours on all steel bolt versions.



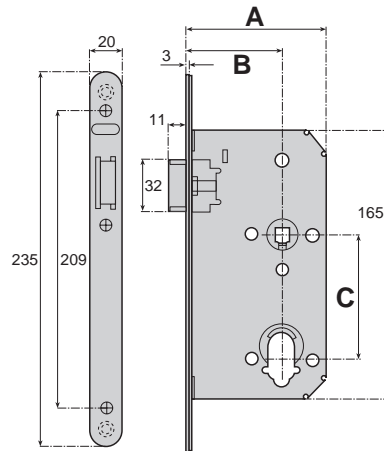
Mortice Nightlatch

Product code Finish code

6	1	0	6	0	5
----------	----------	----------	----------	----------	----------

Satin Stainless Steel 88mm

A	B	C
Lockcase	Backset	Centres
88	60	71 Oval 72 Euro



IDC 6106

Mortice Nightlatch with holdback function

Operation : Latchbolt operates by lever handle from outside and cylinder key from inside. Latchbolt can be held back by turning key in opposite direction

Latchbolt : Sintered steel. Quick reverse action

Cylinder : Refer to pages 19-21 for cylinder options

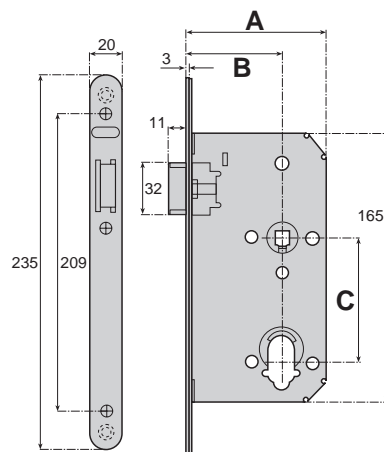
Mortice Nightlatch

Product code Finish code

6	1	0	7	0	5
----------	----------	----------	----------	----------	----------

Satin Stainless Steel 88mm

A	B	C
Lockcase	Backset	Centres
88	60	71 Oval 72 Euro



IDC 6107

Mortice Nightlatch

Operation : Latchbolt operates by lever handle from inside and by cylinder key from outside

Latchbolt : Sintered steel. Quick reverse action

Cylinder : Refer to pages 19-21 for cylinder options

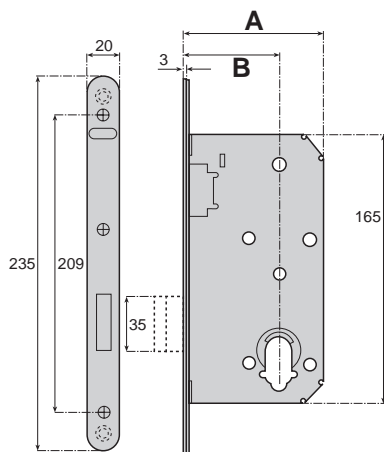
Mortice Deadlock

Product code Finish code

6	1	0	8	0	5
----------	----------	----------	----------	----------	----------

Satin Stainless Steel 88mm

A	B	C
Lockcase	Backset	Centres
88	60	-



IDC 6108

Mortice Deadlock

Operation : Deadbolt operates by cylinder key or thumbturn from either side

Deadbolt : Sintered steel. Projection 20mm double throw

Cylinder : Refer to pages 19-21 for cylinder options

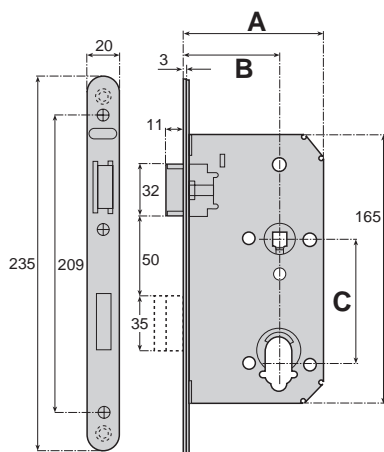
Mortice Sash Lock

Product code Finish code

6	1	0	9	0	5
----------	----------	----------	----------	----------	----------

Satin Stainless Steel 88mm

A	B	C
Lockcase	Backset	Centres
88	60	71 Oval 72 Euro



IDC 6109

Mortice Sash Lock

Operation : Latchbolt operates by lever handle both sides or key from outside

Deadbolt : Sintered steel. Operated by cylinder key or thumbturn. Projection 20mm double throw

Latchbolt : Sintered steel. Quick reverse action

Cylinder : Refer to pages 19-21 for cylinder options

Security Profile Cylinders Master Keyed

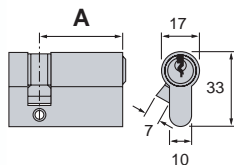
Europrofile Single Cylinder

Six pin, unique registered key section, 2 keys

Product codes

					A
3	1	0	0	3	5
3	1	0	0	4	0

Available in the following finishes: 06, 10, 15, 17



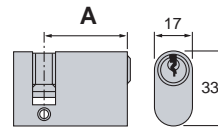
Oval Profile Single Cylinder

Six pin, unique registered key section, 2 keys

Product code

					A
3	4	0	0	3	5

Available in the following finishes: 06, 10, 15, 17



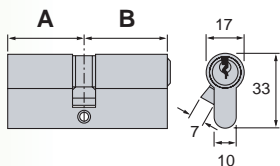
Europrofile Double Cylinder

Six pin, unique registered key section, 2 keys

Product codes

		A			B
3	2	3	0	3	0
3	2	3	5	3	5
3	2	4	0	4	0

Available in the following finishes: 06, 10, 15, 17



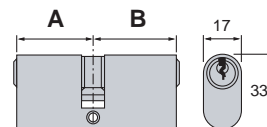
Oval Profile Double Cylinder

Six pin, unique registered key section, 2 keys

Product codes

		A			B
3	5	3	5	3	5

Available in the following finishes: 06, 10, 15, 17



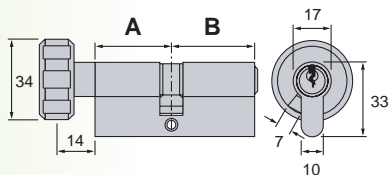
Europrofile Cylinder & Thumbturn

Six pin, unique registered key section, 2 keys

Product codes

		A			B
3	3	3	0	3	0
3	3	3	5	3	5
3	3	4	0	4	0

Available in the following finishes: 06, 10, 15, 17



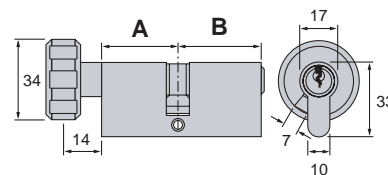
Oval Profile Cylinder & Thumbturn

Six pin, unique registered key section, 2 keys

Product codes

		A			B
3	6	3	5	3	5

Available in the following finishes: 06, 10, 15, 17

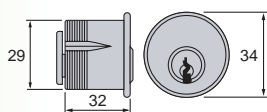


Single Screw in Cylinder

Six pin, unique registered key section, 2 keys

Product code

					Finish		
3	7	0	0	0	2	1	7

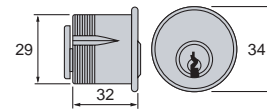


Screw in Cylinder-Passing Pair

Six pin, unique registered key section, 2 keys

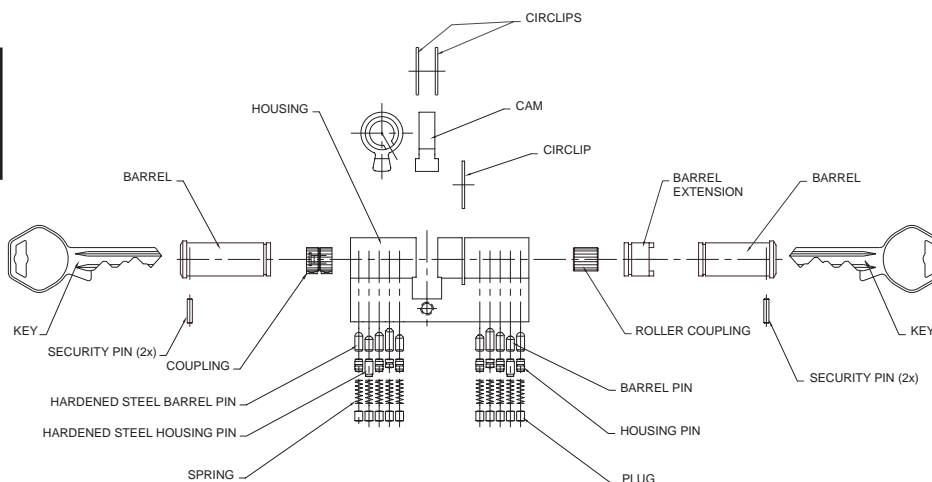
Product code

					Finish		
3	7	0	0	0	3	1	7



Finish codes

0	6	Polished Brass
1	0	Satin Brass
1	5	Polished Chrome
1	7	Satin Nickel

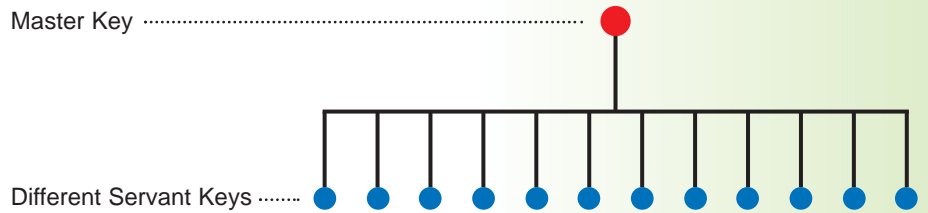


IDC Master Keyed Control System

Some people may imagine that master keying provides additional security. This is not so, but rather the contrary. Master keying in its simplest form means that each lock in a suite can be opened by at least two different keys, the master key and the servant key of that particular lock, whereas for ideal security only one key should be capable of opening a given lock. The more complex master keying systems sometimes further reduce the security. Any loss in this way, however, is usually considered to be balanced by the convenience gained.

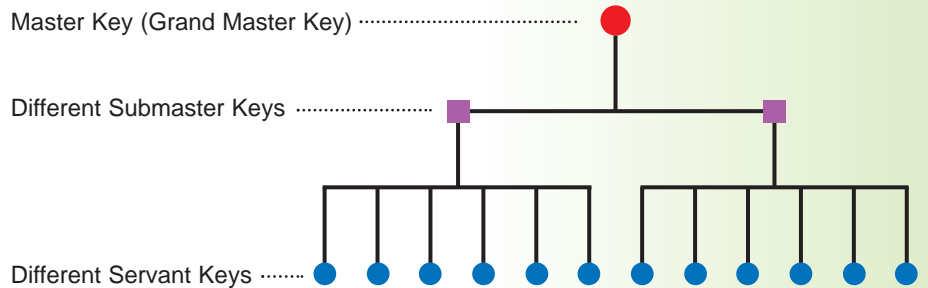
In master keying there is a combination of differing and passing. A master keyed suite comprises a number of locks and keys to differ, which means that any one of these keys—carried by various minor officials and called servant keys—will operate only the lock or locks made to that key. Over all is the master key. This is held by the owner, manager or other high official and passes all the locks. This is called here System A and is illustrated by a diagram. It is the simplest of all possible arrangements.

SYSTEM A



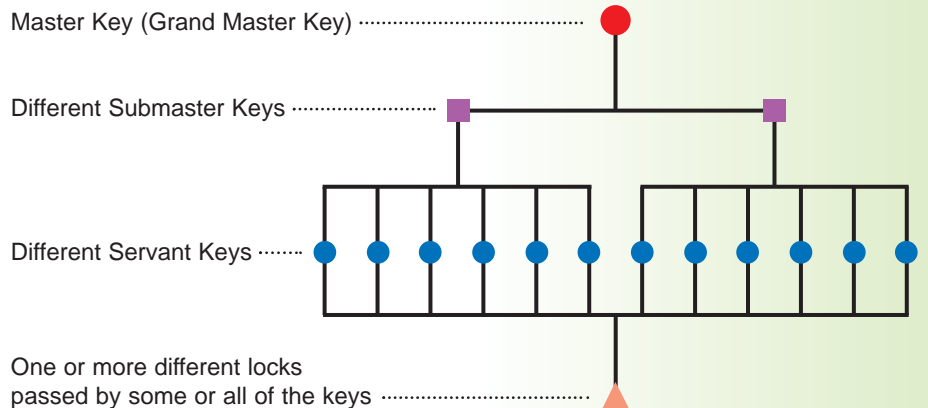
Sometimes submaster keys are brought into a scheme which can be denoted as System B. The general manager, for instance, may wish each of his departments managers to have complete control over all the locks in his department, but no others. The various locks in each department are operated by different servant keys which are held by members of staff and others. The submaster key provided to each department manager passes all the locks in his own department. The general manager himself carries a key, this being called a grand master key when there are submaster keys in the suite, which passes all locks in all departments. No submaster or servant key will operate any lock in any department but its own.

SYSTEM B



Then there is another arrangement called System C which is some times required and put into practice for a block of flats, for example. Of necessity the tenants' keys are all different so that none may get into another's flat or suite, and the manager has a grand master key to pass all the locks in the block. If the different tenants' keys are not many in number, it can be arranged for all to them operate the lock on the common entrance door to the block. To do this with a large number of different keys is undesirable because it reduces the security of the lock on the main door to a negligible degree.

SYSTEM C



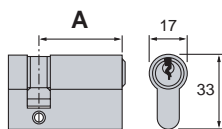
Profile Cylinders Non Master Keyed

Europrofile Single Cylinder

Five pin, standard key section, 2 keys

Product codes

					A	Finish	
1	0	0	3	5		0	6
1	0	0	3	5		1	9

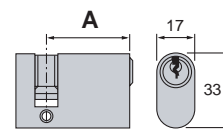


Oval Profile Single Cylinder

Five pin, standard key section, 2 keys

Product codes

					A	Finish	
4	0	0	3	5		0	6
4	0	0	3	5		1	9

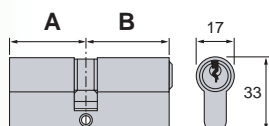


Europrofile Double Cylinder

Five pin, standard key section, 2 keys

Product codes

		A	B		Finish	
2	3	5	3	5	1	0
2	3	5	3	5	1	9
2	3	5	5	0	1	9
2	3	5	6	0	1	9
2	4	0	4	5	1	9
2	4	0	5	0	1	9
2	4	0	6	0	1	9

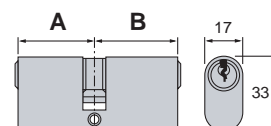


Oval Profile Double Cylinder

Five pin, standard key section, 2 keys

Product codes

		A	B		Finish	
5	3	5	3	5	0	6
5	3	5	3	5	1	9

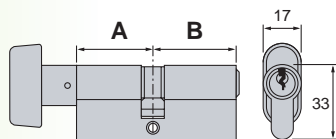


Europrofile Cylinder & Thumbturn

Five pin, standard key section, 2 keys

Product codes

		A	B		Finish	
3	3	5	3	5	1	0
3	3	5	3	5	1	9

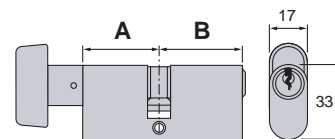


Oval Profile Cylinder & Thumbturn

Five pin, standard key section, 2 keys

Product codes

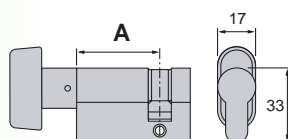
		A	B		Finish	
6	3	7	3	7	0	6
6	3	7	3	7	1	9



Europrofile Cylinder Knob

Product code

					A	Finish	
1	0	0	4	6		1	9

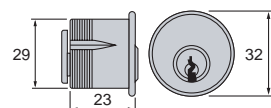


Single Screw in Cylinder

Five pin, standard key section, 2 keys

Product code

					Finish	
7	0	0	0	2	1	9

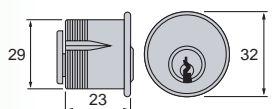


Screw in Cylinder-Passing Pair

Five pin, standard key section, 2 keys

Product code

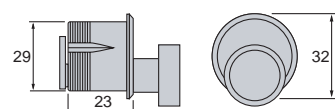
					Finish	
7	0	0	0	3	1	9



Screw in Cylinder-Thumbturn

Product code

					Finish	
7	0	0	0	4	1	9



Finish codes

0	6	Polished Brass
1	0	Satin Brass
1	9	Nickel Plated

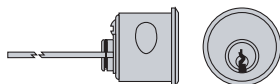
7000 Series Rim Cylinders

Cylinders-To Differ

Five pin, standard key section, 2 keys

Product codes

					Finish		
1	0	7	0	0	0	0	6
1	0	7	0	0	0	1	9

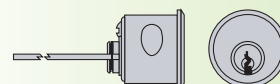


Cylinders-Keyed Alike

Five pin, standard key section, 2 keys

Product codes

					Finish		
2	0	7	0	0	0	0	6
2	0	7	0	0	0	1	9

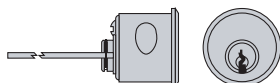


Cylinders-Master Keyed

Six pin, unique registered key section, 2 keys

Product codes

					Finish		
3	0	7	0	0	0	1	0
3	0	7	0	0	0	1	7



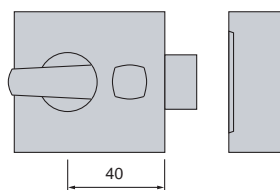
7000 Series Rim Nightlatch Cases

40mm Backset Case

Double locking

Product codes

				Finish	
7	0	4	0	1	1
7	0	4	0	2	3
7	0	4	0	2	6

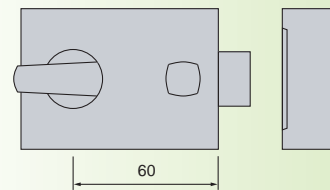


60mm Backset Case

Double locking

Product codes

				Finish	
7	0	6	0	1	1
7	0	6	0	2	3
7	0	6	0	2	6



Finish codes

0	5	Satin Stainless Steel
0	6	Polished Brass
0	7	Silver
1	0	Satin Brass
1	1	Bright Brass
1	7	Satin Nickel
1	9	Nickel Plated
2	3	Silver
2	6	White

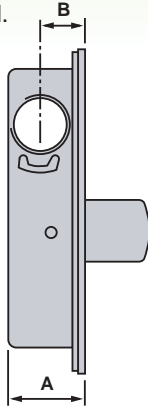
8000 Series Metal Frame Locks

Swingbolt

To suit screw in cylinder. Flat face plate supplied.

Product codes

				Finish	
8	5	0	7	0	7
8	5	0	8	0	7
				A	B
8	5	0	7	41.3	24.6
8	5	0	8	45.3	28.6

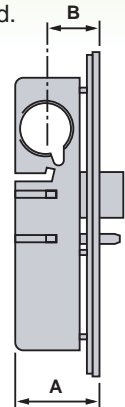


Springbolt

To suit screw in cylinder. Flat face plate supplied.

Product codes

				Finish	
8	5	1	7	0	7
8	5	1	8	0	7
				A	B
8	5	1	7	40.6	24.6
8	5	1	8	44.6	28.6

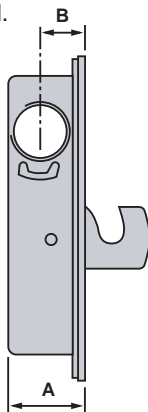


Hookbolt

To suit screw in cylinder. Flat face plate supplied.

Product codes

				Finish	
8	5	2	7	0	7
8	5	2	8	0	7
				A	B
8	5	2	7	41.3	24.6
8	5	2	8	45.3	28.6

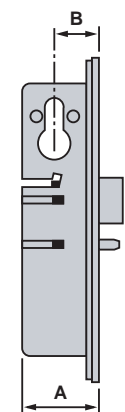


Springbolt

Euro cylinder. Flat face plate supplied.

Product codes

				Finish	
8	5	3	7	0	7
8	5	3	8	0	7
				A	B
8	5	3	7	40.6	24.6
8	5	3	8	44.6	28.6

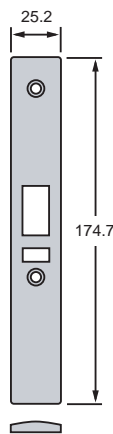


Radius Profile Face Plate

To suit Springbolts

Product code

				Finish	
8	9	0	1	0	7

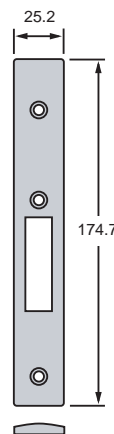


Radius Profile Face Plate

To suit Swingbolts & Hookbolts

Product code

				Finish	
8	9	3	3	0	7

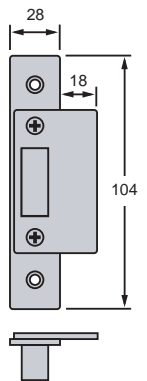


Short Box Striker

To suit Springbolts

Product code

				Finish	
8	9	1	3	0	5



International Door Controls

Unit 23, Timmis Road, Lye, Stourbridge, West Midlands, DY9 7BQ
 Telephone: +44 (0)1384 893333
 Fax: +44 (0)1384 894837
 E-mail: info@int-door-controls.com
 www.int-door-controls.com