

LC 85 Luffing Crane

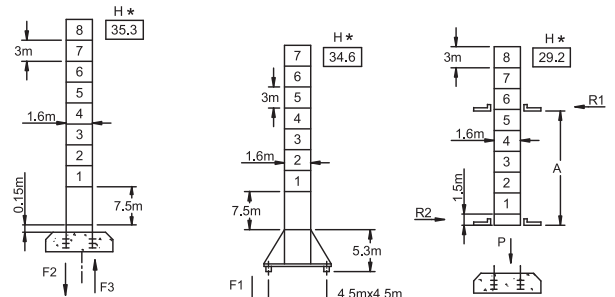
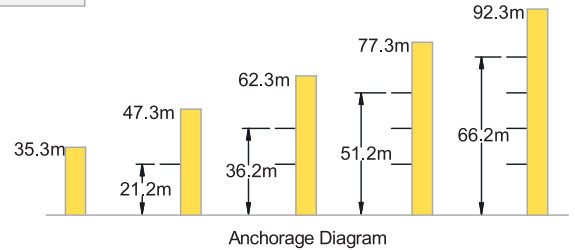
6 t

Load Capacity

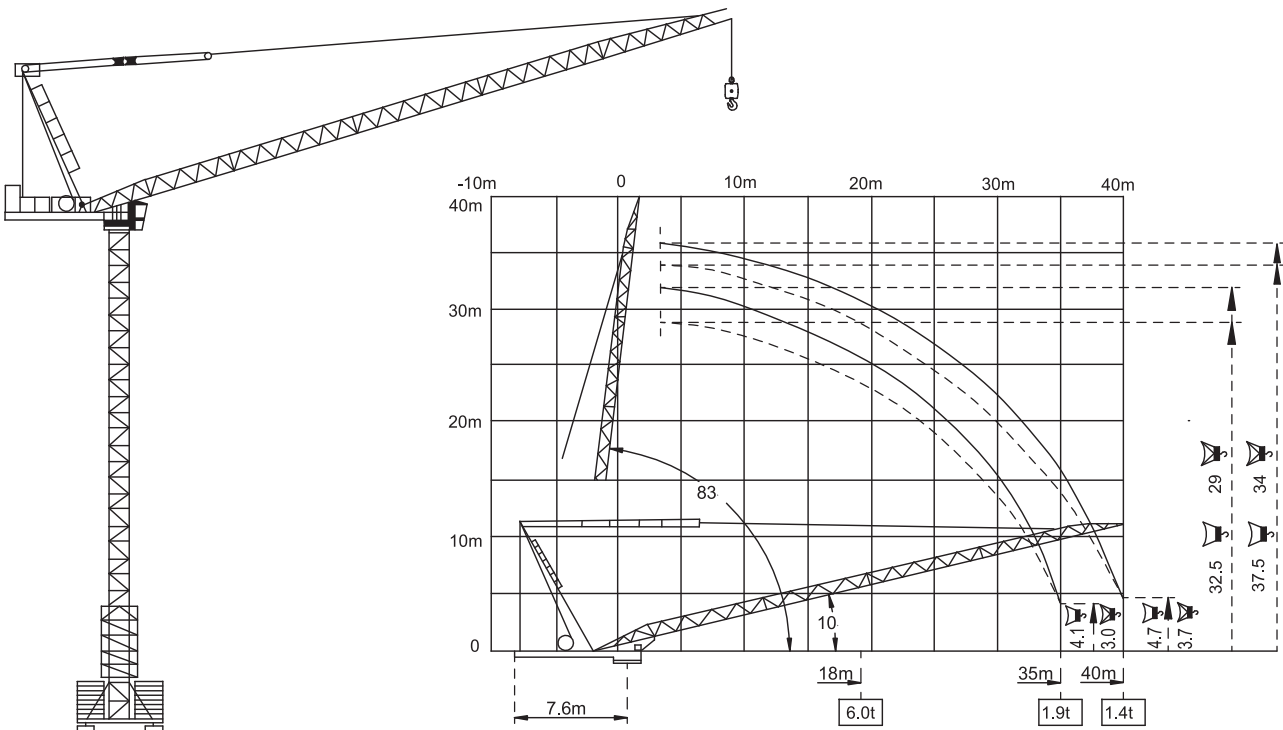
Jib Length	Radius (m)		4~18	20	25	28.5	30	32	35	40
	40m	Hoisting Load (t)		6.0	5.2	3.7	2.9	2.6	2.3	1.9
			3.0					2.7	2.4	2.0
35m	Radius (m)		4~18	20	25	28.5	30	32	35	
	Hoisting Load (t)		6.0	5.2	3.7	2.9	2.6	2.3	1.9	
			3.0					2.7	2.4	2.0

Specifications

Hoisting	No of Falls						
	Speed (m/min)	0 ~ 40	0 ~ 66	0 ~ 80	0 ~ 20	0 ~ 33	0 ~ 40
	Hoisting Load (t)	3.0	1.8	1.5	6.0	3.6	3.0
	Power (kw)	24	24	24	24	24	24
Slewing		Speed (rpm)	0 ~ 0.7				
Power (kw)		6					
Travelling		Speed (rpm)	0 ~ 25				
Power (kw)		2 x 5.2					
Luffing		Speed (m/min)	≤ 3.0				
Power (kw)		24					
Main Supply	415V / 50Hz						
Electric Power	54 kw (67.5 kVA)						



F2		90t		142t		38.5t
F3		62t		117t		38.5t
F1		60t		81t		38.5t
A		7m		11m		
R1		23t		15t		
R2		20t		13t		
P		48t		48t		
				37t		



F Reaction In Service Out of Service Dead weight without load and counter weights but with longest jib and free standing height.
 P Vertical Load H Free Standing Height Jib * 40m