

Machines

AV1-2 Tandem Vibrating Rollers 1.4 – 1.7 t

www.ammann-group.com

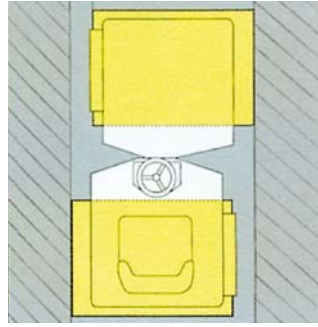


Smart Concept of the AV1-2 Vibrating Rollers

The compact AV1-2 Series of Vibrating Rollers are designed for the use in small to medium construction sites in maintenance, car parks and landscaping. The AV1-2 Series are very efficient and effective machines when in use on sublayer as well as on asphalt compaction.



Compaction up against walls and boardways



Full-flush compaction left and right



Easy access to maintenance points



Life time lubricated teflon central articulation joint

full-flush compaction

The AV1-2 Series are the only machines to offer as a standard

- full-flush compaction on the right and lefthand side
- double traction
- double vibration

This feature enables the drum to be completely up against a wall. Finishing with small compaction machines is no more necessary.

powerfull

Optimum compaction results thanks to:

- high-torque, water-cooled, three-cylinder Yanmar engine
- 2 working speeds
- 2 frequencies with corresponding centrifugal forces
- Single or double vibration with double traction
- Large corrosion free water tank
- Sprinkler system with multiple water filtration

easy to operate

High comfort due to:

- rubber mounted operator's platform
- easy-to-operate instrument panel
- 40 mm displacement of front and rear drum
- tight turning radius
- compact dimensions
- smooth starting and reversing of the machine

suitable

The AV1-2 Series is based on a modular concept allowing

- the customisation of the machine to specific applications of the user
- optimisation of spare parts management due to wide compatibility of the parts between different AV1-2 models

easy to maintain

Minimum maintenance required:

- all bearings are lifetime lubricated
- Teflon coated central articulation joint
- completely removable engine hood
- full access to the maintenance elements situated at one side
- outside drain plugs for rapid change of machine liquids

safe

High security with the AV1-2 Vibrating Rollers:

- CE-Package: folding ROPS, emergency stop, comfort seat with security belt and seat contact switch
- ergonomic instrument panel
- unobstructed view to the drums

Vandal protection of the machine with locks on:

- instrument panel
- engine hood
- fuel tank
- water tank



Outside drainplugs for machine liquids



Multiple water filtration

The AV1-2 Vibration Rollers can be delivered in different versions, as Tandem or Combination Rollers in the working with 860, 940 and 1040 mm

Different Versions – One Concept



AV16-2 K Combination Version



Tandem Version

The basic machine of the AV1-2 Series includes:

- double traction
- double vibration
- pressurized sprinkler system with a large corrosion free water tank (95 l) with multiple filtration
- 2 working frequencies with 2 centrifugal forces
- 40 mm displacement of front and rear drum or drums in line
- central lifting point for easy transport
- hours meter and low level fuel indicator
- Ammann standard dash board

The following optional equipment is available for the Tandem Version:

- CE-Package: folding ROPS, emergency stop, comfort seat with security belt and seat contact switch
- interval sprinkling system
- pressure testing points
- armrests

Combination Version

The AV16-2 is available as a Combination Version: AV16-2 K. The basic equipment is according to the Tandem Version. Together with the standard water tank the combi version has an in-built-anti-adhesive tank with direct pressurised sprinkler to the tires. The sprinkling out of the anti-adhesive tank can be turned on via a hand switch on the drive lever.



Instrument panel



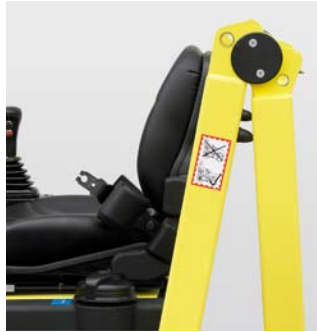
Vandale protection



Technical data and optionals

	Measuring unit	AV 12-2	AV 16-2	AV 16-2 K	AV 20-2
Weight					
Operating weight CECE	kg	1500	1600	1500	1650
Static linear load	kg/cm	9.1	8.8	8.8	8.3
Wheel load	kg	–	–	200	–
French classification		PV2	PV2	PV2	PV2
Drums (Wheels)					
Width	mm	820	900	900	1000
Diameter	mm	575	575	575	575
Thickness	mm	13	13	12	13
Offset	mm	40	40	40	40
Number of wheels		–	–	4	–
Tire size		–	–	205/60R15	–
Tire-axle width	mm	–	–	890	–
Rolling width max.	mm	860	940	900	1040
Drive					
Engine and type		Yanmar 3TNV76 EuroMot2 / EPA4			
1. working speed: 2100 at rpm					
Power output DIN 6270 B	kW / hp	13.2 / 18.0	13.2 / 18.0	13.2 / 18.0	13.2 / 18.0
Travel speed	km/h	0 – 7	0 – 7	0 – 7	0 – 7
Gradeability with / without vibr.	%	30 / 40	30 / 40	30 / 40	25 / 35
2. working speed: 2400 at rpm					
Power output DIN 6270 B	kW / hp	15.2 / 20.7	15.2 / 20.7	15.2 / 20.7	15.2 / 20.7
Travel speed	km/h	0 – 8	0 – 8	0 – 8	0 – 8
Gradeability with / without vibr.	%	30 / 40	30 / 40	30 / 40	30 / 40
Steering					
Tuning radius, outside/inside	mm	2990 / 2170	3030 / 2130	3030 / 2130	3080 / 2080
Steering / Oscillating angle	±°	31 / 5	31 / 5	31 / 5	31 / 5
Vibration					
Amplitude					
1. working speed: 2100 at rpm	mm	0.5	0.5	0.5	0.45
Frequency					
1. working speed: 2100 at rpm	Hz	61	61	61	61
Centrifugal force per drum	kN	13	13	13	13
same per cm drum width	N/cm	158	144	144	130
2. working speed: 2400 at rpm					
Frequency	Hz	67	67	67	67
Centrifugal force per drum	kN	16	16	16	16
same per cm drum width	N/cm	195	178	178	160
Capacities					
Water tank	l	95	95	95	95
Anti-adhesive tank	l	–	–	9	–
Hydraulic tank	l	25	25	25	25
Diesel fuel tank	l	26	26	26	26

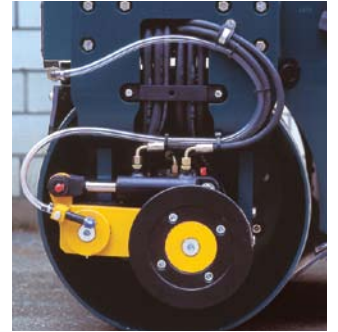
Technical data subject to changes



Folding ROPS for easy transportation



2 scrapers per drum



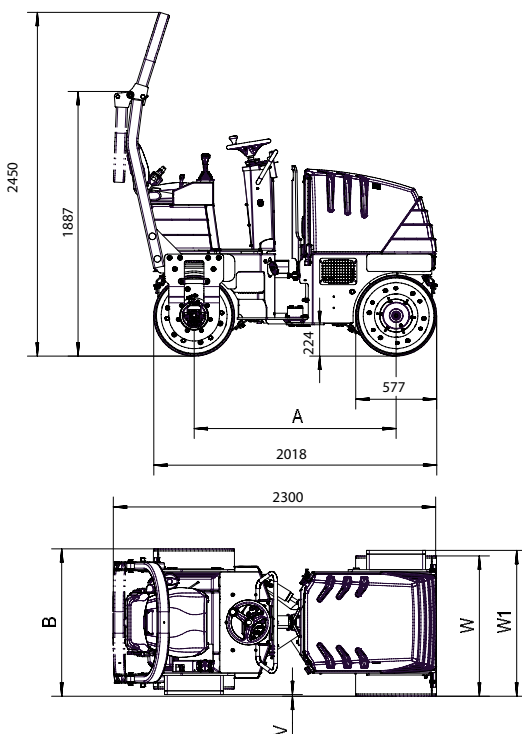
Edge-cutter

Standard

- Full flush left and right
- Both drums with drive
- Pressurised sprinkler system
- 2 scrapers per drum
- central lifting point
- Diesel fuel gauge
- Hour meter
- Drums 40 mm offset
- Drive lever with vibration- and water switch
- Double vibration
- Lockable water tank

Optionals

- CE-Kit incl. folding ROPS
- Road lighting
- Rotating beacon
- Reversing alarm
- Battery disconnection switch
- Break release valve
- Edge cutter
- Biodegradable hydraulic oil
- Customer color
- Arm rests



Dimensions	L	B	H	W	W1	V
Measures in mm						
AV 12-2	2300	860	2450	820	860	40
AV 16-2	2300	940	2450	900	940	40
AV 16-2 K	2300	940	2450	900	940	0
AV 20-2	2300	1040	2450	1000	1040	40

Technical data subject to changes.

Ammann distribution
companies:

Switzerland:
Ammann Schweiz AG
CH-4901 Langenthal
Tel +41 62 916 61 61
Fax +41 62 916 65 40

Germany:
Ammann Verdichtung GmbH
D-53773 Hennef
Tel +49 22 42 880 20
Fax +49 22 42 880 259

Rammax Maschinenbau GmbH
D-72555 Metzingen
Tel +49 71 23 922 30
Fax +49 71 23 922 350

Czech Republic:
Ammann Czech Republic a.s.
CZ-54901 Nové Město nad Metují
Tel. +420 491 476 111
Fax +420 491 470 215

France:
Ammann France SA
F-94046 Créteil/Cedex
Tel +33 1 45 17 08 88
Fax +33 1 45 17 08 90

United Kingdom:
Ammann Equipment Ltd.
GB-Warwickshire, CV37 OTY
Tel +44 1789 414 525
Fax +44 1789 414 495

Poland:
Ammann Polska sp.zo.o.
PL-02-230 Warszawa
Tel +48 22 33 77 900
Fax +48 22 33 77 929

USA:
Ammann America Inc.
US-Ponte Vedra, Florida 32082
Tel +1 904 543 1691
Fax +1 904 543 1781

Ammann manufacturing
companies:

Switzerland:
Ammann Schweiz AG
CH-4901 Langenthal
Tel +41 62 916 61 61
Fax +41 62 916 64 03

Germany:
Ammann Verdichtung GmbH
D-53773 Hennef
Tel +49 22 42 880 20
Fax +49 22 42 880 259

Rammax Maschinenbau GmbH
D-72555 Metzingen
Tel +49 71 23 922 30
Fax +49 71 23 922 350

Czech Republic:
Ammann Czech Republic a.s.
CZ-54901 Nové Město nad Metují
Tel. +420 491 476 111
Fax +420 491 470 215

