

The Goelst system 7800 roman blind is suitable for both lightweight (transparent) and medium-weight (lined) fabrics.

Equipped as standard with 1:1 operation, system 7800 also offers a choice of chain colours and 2:1 geared operation. The unique feature with this system is the optional semi-automatic control. One short pull on the control chain will smoothly and effortlessly lower the curtain cover; this can be stopped at any desired position. User friendly fixing of the wind-up cones ensures easy cleaning and replacement of the curtain covers.

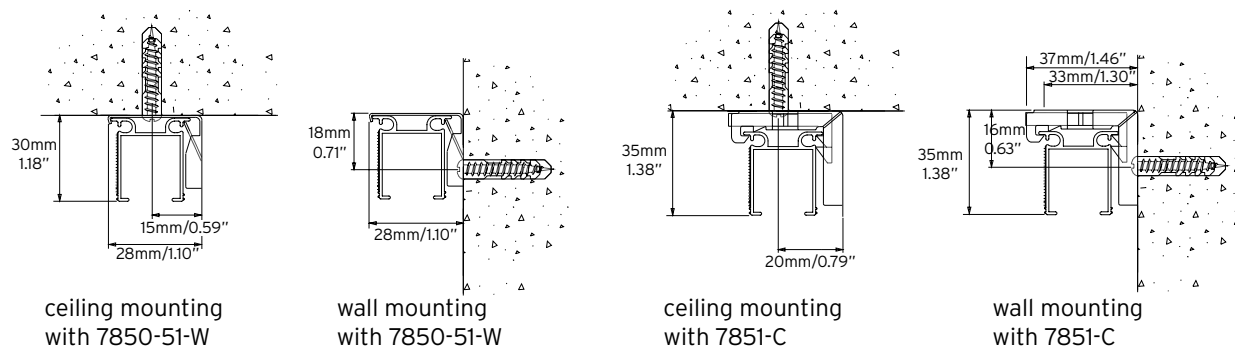
ROMAN BLIND SYSTEM

7800



7800 > Soft Release Roman blind system.

Installation

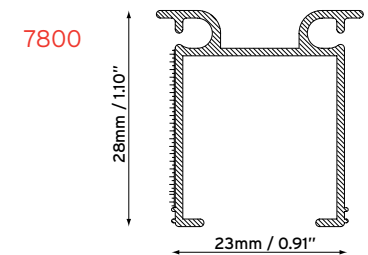


System features

	7800		7800 semi-automatic	
	min.	max.	min.	max.
System width	50 cm / 19.69"	500 cm / 196.85"	50 cm / 19.96"	300 cm / 118.11"
System height	-	300 cm / 118.11"	-	300 cm / 118.11"
Load	-	7 kg / 15.4 lbs	0,4 kg / 0.88 lbs	3 kg / 6.6 lbs
Number of winding spindles	2	10	2	10
Load per winding spindle	-	0,7 kg / 1.54 lbs	min. 0,2 kg / 0.44 lbs in bottom bar	0,7 kg / 1.54 lbs



Specification Guide



Material:

Aluminium U-profile with Velcro.
Shape and size tolerances are in accordance with DIN 755.
White powder coated finish.
Rail weight: 285 gr per linear metre / 0.19 lbs per foot.

Accessories standard option:

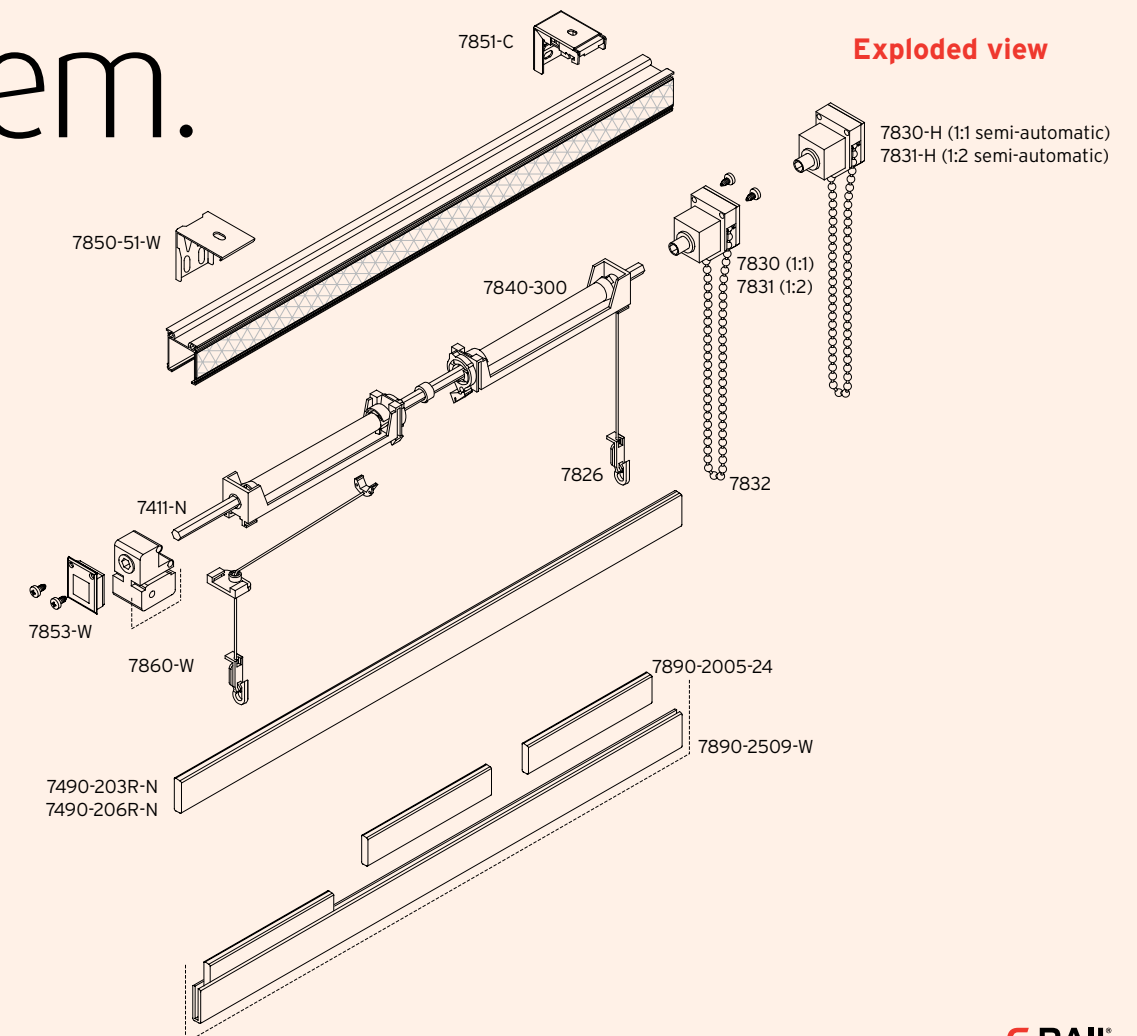
Chain control 1:1 7830 or 2:1 7831, ball chain (various colours) 7832, end cap 7853, wind up cone with 300 cm / 118.1" cord (various colours) 7840-300, hook for cord 7826, aluminium hexagonal drive shaft 7411-N.

Accessories semi-automatic option:

Chain control 1:1 7830-H-L (left) and 7830-H-R (right) or 2:1 7831-H-L (left) and 7831-H-R (right), ball chain (various colours) 7832, end cap 7853, wind up cone with 300 cm / 118.1" cord (various colours) 7840-300, hook for cord 7826, aluminium hexagonal drive shaft 7411-N, bottom weight 7890-2005-24, bottom rail plastic 7890-2509-W, speed brake 7860.

Installation:

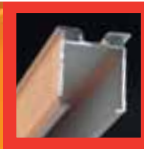
Ceiling or wall mounted with 7851-C ceiling/wall bracket.
Ceiling or wall mounted with 7850-51-W ceiling/wall bracket.



7800

ROMAN BLIND SYSTEM

7800



GOELST[®]
INTERIOR PRODUCTS

Components

Product design and specification changes reserved.

PROFILE			
	7800 aluminium U-profile with Velcro. colours: W		7840-300 wind up cone with cord 300cm / 118.1" colour: B - GR - IV - W
WALL / CEILING MOUNTING			
	7850-51 ceiling / wall bracket colour: W		
	7851-C ceiling / wall bracket colour: C		
CONTROL		ACCESSORIES	
	7830 chain control 1:1 without chain colour: W		7853 end cap colour: W
	7831 chain control 2:1 without chain colour: W		7826 hook for cord colour: TR
	7830-H-R chain control semi-automatic 1:1 right without chain colour: W		7411-N-6 hexagonal drive shaft aluminium
	7830-H-L chain control semi-automatic 1:1 left without chain colour: W		7490-203R counter-weight aluminium 20x3 mm / 0.79"x0.12" colour: W - N
	7831-H-R chain control semi-automatic 2:1 right without chain colour: W		7490-206R counter-weight aluminium 20x6 mm / 0.79"x0.24" colour: W - N
	7831-H-L chain control semi-automatic 2:1 left without chain colour: W		7890-2005-24 bottom weight metal 24cm/9.45", 200 gr / 0.44 lbs in combination with 7890-2509-W-3 for semi-automatic
	7832 end lessball chain 100 cm - TR - W - GR - ZW - C 120 cm - W 125 cm - TR - GR - ZW - C 150 cm - TR - W - GR - ZW - C 170 cm - W 175 cm - TR - GR - ZW - C 200 cm - TR - W - GR - ZW - C 250 cm - W 300 cm - W		7890-2509-W-3 plastic bottom rail for bottom weight 7890-2005-24 for semi-automatic
			7860 speed reducer for semi-automatic colour: W
			1203-13 cord weight colour: W - ZW - GR

ROMAN BLIND SYSTEM

7800

B = Brown
C = Chrome
GR = Grey
IV = Ivory
N = Natural
TR = Transparent
W = White
ZW = Black

= standard item

G-RAIL

