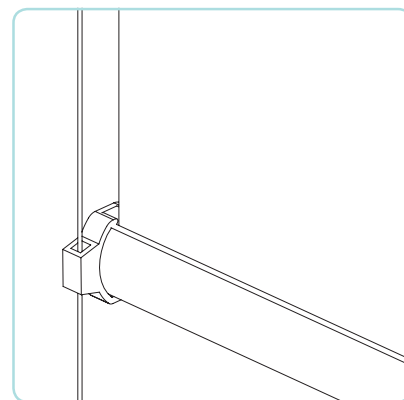
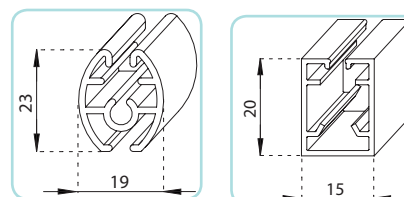
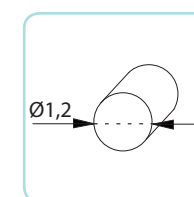


NORTHGATE

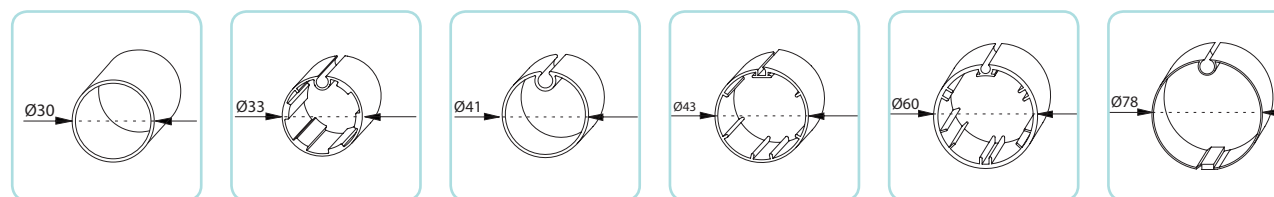
TAKING CARE OF EVERY ASPECT

SPECIAL APPLICATIONS

Perlon guide

BOTTOM RAILS**GUIDES**

Z39

ROLLER TUBES

Ø30

Ø33

Ø41

Ø43

Ø60

Ø78

NORTHGATE

TAKING CARE OF EVERY ASPECT


Northgate, PO Box 200, Barnet, Herts EN4 9EW

Tel 020 8441 4545 **Fax** 020 8441 4888**Website** www.northgateuk.com **Email** enquiries@northgateuk.com**MILANO**

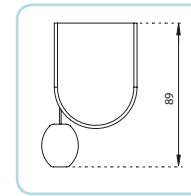
The contained information in this catalogue may be imprecise because of possible technical modifications made after printing. The manufacturer reserves the right to make technical modifications without advance notice. Before making orders consult your manufacturer or retailer. The roller blind Milano is designed for the sun protection of the space where it is located. Every other use is inappropriate and dangerous. Northgate cannot be considered responsible for possible damages caused by improper, erroneous and unreasonable use. The roller blind Milano must be installed perpendicular to the horizontal area. When the danger of icing is present the roller blind cannot be operated, in case of strong wind it is necessary to wrap up the roller blind. The fabric can have folds that do not influence the proper functioning of the roller blind.

MILANO

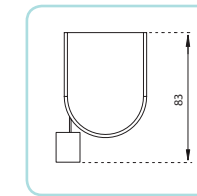
If you are searching for a classic and essential roller blind then Northgate's Milano is your best choice. Pure design of the accessories and of the brackets makes the placement possible in any sight, hidden as well as in opening. It has a range of brackets designed to minimize the required space and to have the biggest useful width of fabric. Also its maintenance is facilitated by the absence of the cover box. Milano is a roller blind that reduces the level of heat and glare and will save you from prying eyes while offering a pleasant aesthetic effect.

ROLLER TUBE	Material:	Aluminium or steel tube with recess		
BOTTOM RAIL	Material:	Powder-coated extruded aluminium		
	Benefits:	Ballon seal and galvanised steel weight		
SCREWS	Material:	Stainless steel		
HANDLINGS	Motor:	Alternating current AC 230v / 14 - 16 rpm		
	Gear:	With folded joint, rod and folding crank handle		
	Chain:	Plastic or metal with combined spring		
	Chain:	Plastic frictioned chain		
	Chain:	Metal geared down		
	Spring:	Steel wire		
BRACKETS	Finishing:	Stainless steel		
INSTALLATION TYPES		Face fix brackets		
		Top fix		
GUIDES INSTALLATION		Recessed		
DIMENSIONS	Width (mm):	600 min - 4400 max		
	Height (mm):	Depending on the fabric		
		CHAIN	GEAR	MOTOR
	Without guides:	4000 max	4000 max	4000 max
FABRIC CONFECTIONING	Roller tube:	Cable with tape		
	Bottom rail:	Fold with rigid rod		
CERTIFICATION		13561		

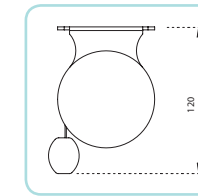
TECHNICAL OPERATING SPACE



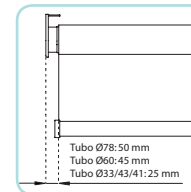
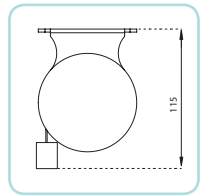
Ø30/33/43 tube bracket



Guide Z39

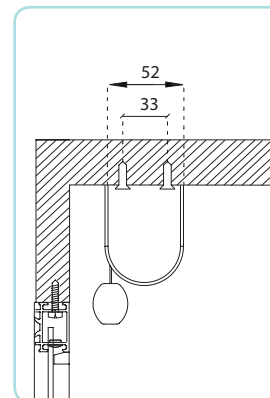


Ø41/60/78 tube bracket

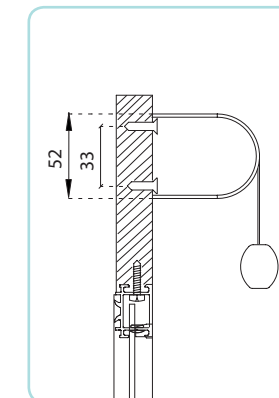


Fabric lateral tolerance

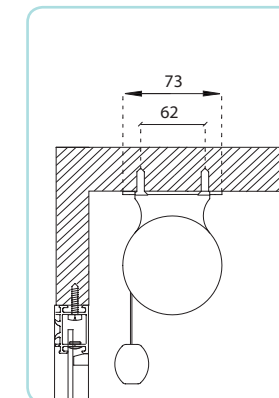
FIXING METHODS



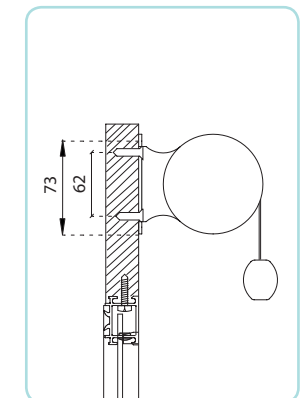
Top fix



Front fix

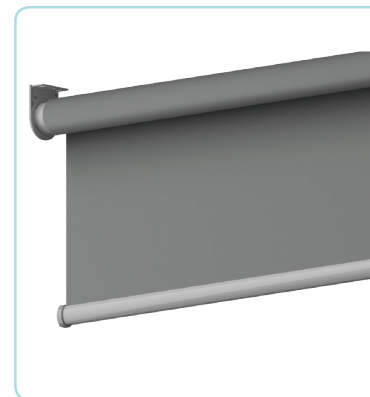


Top fix

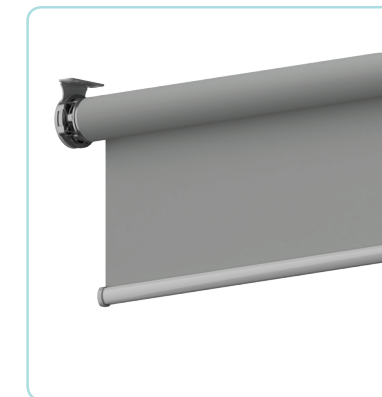


Front fix

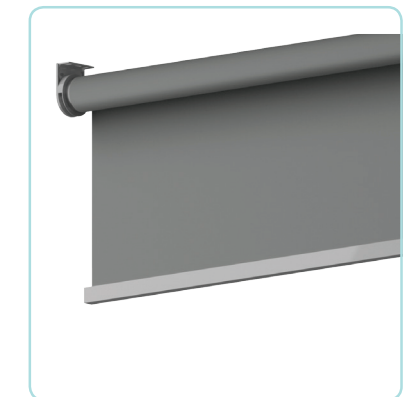
CONFIGURATIONS



Bracket for Ø30/43 tube



Bracket for Ø60/78 tube



15x20 bottom rail

 **LIFETIME WARRANTY** This fabric range comes with a full **Lifetime Warranty** as standard.

For more information and images please visit our website at:

WWW.NORTHGATEUK.COM/MILANO