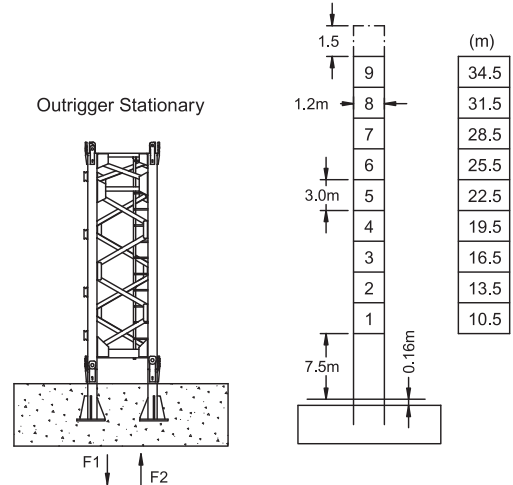


TC 5034 Tower Crane

5 t

Load Capacity

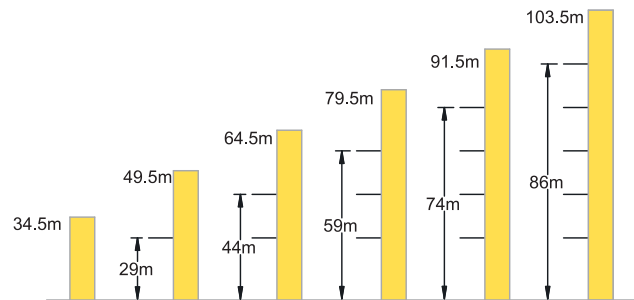
Jib Length	Radius (m)												
	15	17	20	22	25	28	30	32	35	40	45	50	
50m	Hoisting Load (t)	5.00	4.30	3.60	3.20	2.70	2.50	2.40	2.20	2.00	1.70	1.50	1.30
	Dead weight (t)	2.50											
45m	Hoisting Load (t)	5.00	4.60	3.80	3.40	2.90	2.50	2.50	2.40	2.20	1.85	1.59	
	Dead weight (t)	2.50											
40m	Hoisting Load (t)	5.00	4.80	3.90	3.50	3.00	2.50	2.50	2.45	2.20	1.92		
	Dead weight (t)	2.50											
35m	Hoisting Load (t)	5.00	4.80	3.90	3.50	3.00	2.75	2.50	2.45	2.20			
	Dead weight (t)	2.50											
30m	Hoisting Load (t)	5.00	4.80	3.90	3.50	3.00	2.75	2.50					
	Dead weight (t)	2.50											
25m	Hoisting Load (t)	5.00	4.80	3.90	3.50	3.10							
	Dead weight (t)	2.50											



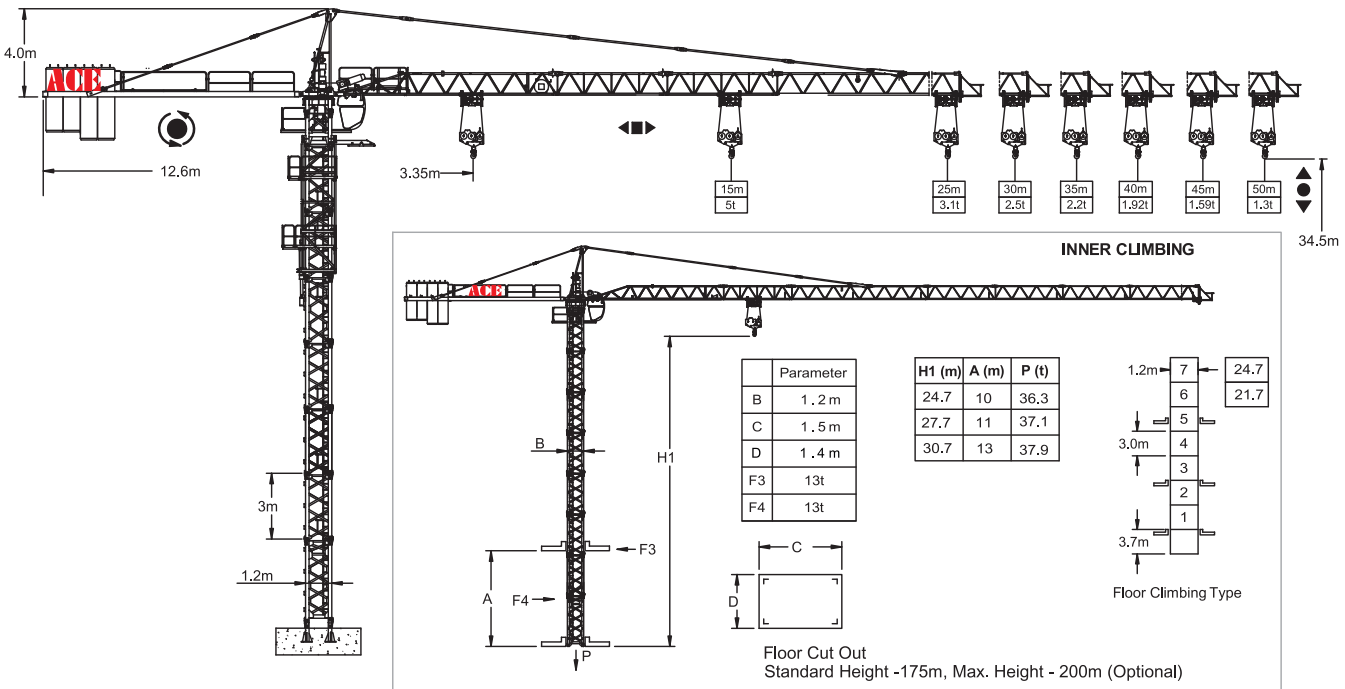
Specifications

Hoisting	No of Falls	7		35			
	Speed (m/min)	7	35	70	3.5	17.5	35
	Hoisting Load (t)	2.6	2.6	1.3	5.0	5.0	2.6
	Power (kw)	3.5	18.0	18.0	3.5	18.0	18.0
Slewing	Speed (rpm)	0 ~ 0.8					
	Power (kw)	4					
Trolley	Speed (m/min)	40		20			
	Power (kw)	3.3		2.2			
Climbing	Speed (m/min)	0.55 - 0.7					
	Power (kw)	5.5					
Main Supply	415V / 50Hz						
Electric Power	25.3 kw (31.7 kVA)						

F1	◇ 75t	△ 90t	⊕
F2	◇ 55.5t	△ 72.5t	⊕ 22t



Anchorage Diagram



F Reaction ◇ In Service △ Out of Service ⊕ Dead weight without load and counter weights but with longest jib and free standing height.
P - Vertical load

Floor Cut Out
Standard Height -175m, Max. Height - 200m (Optional)