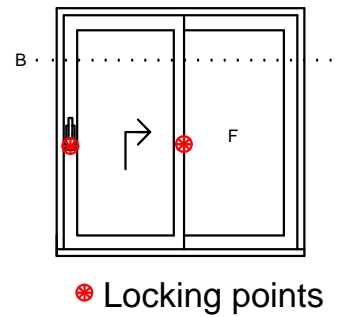
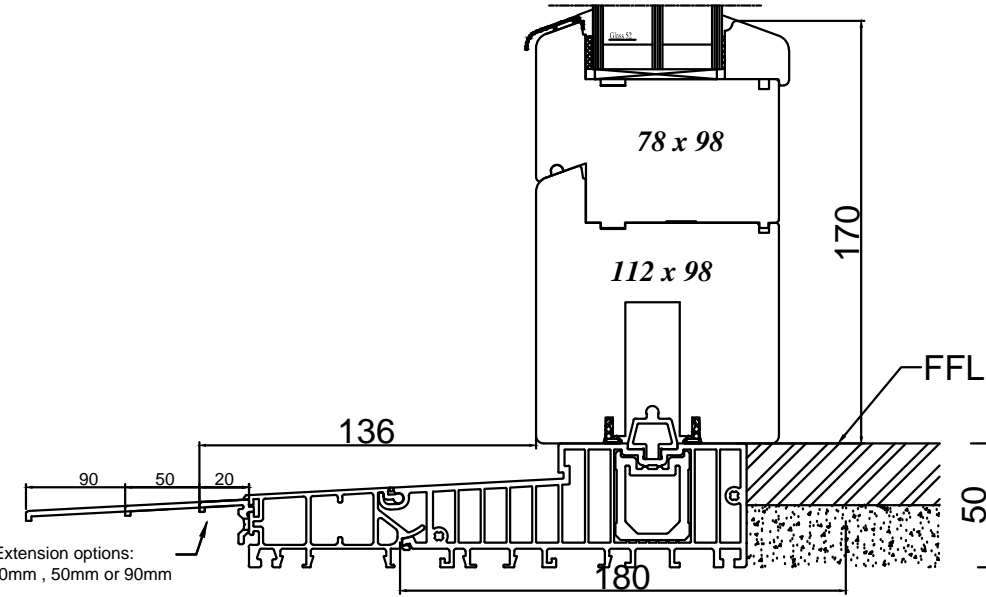
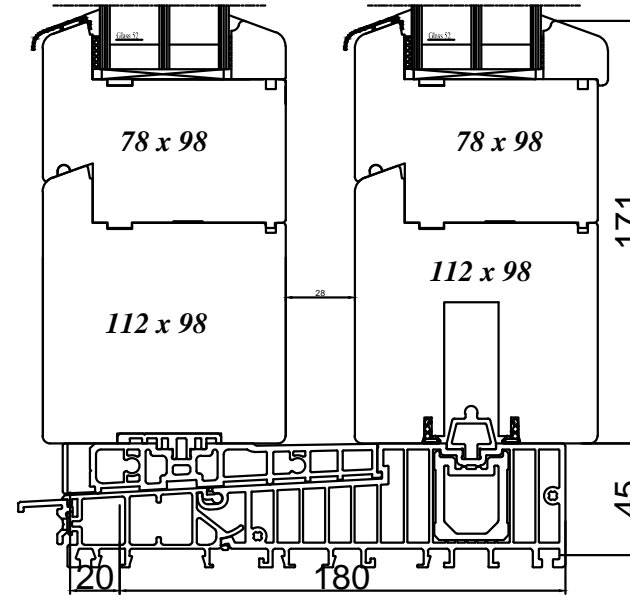
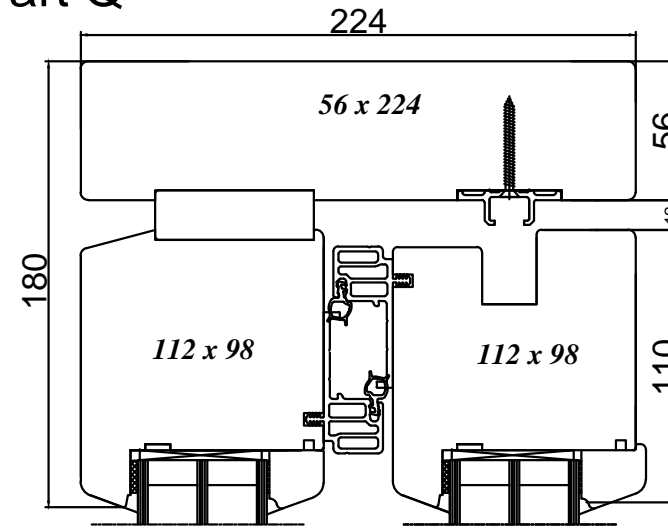
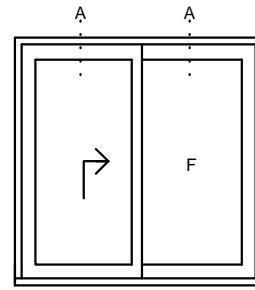
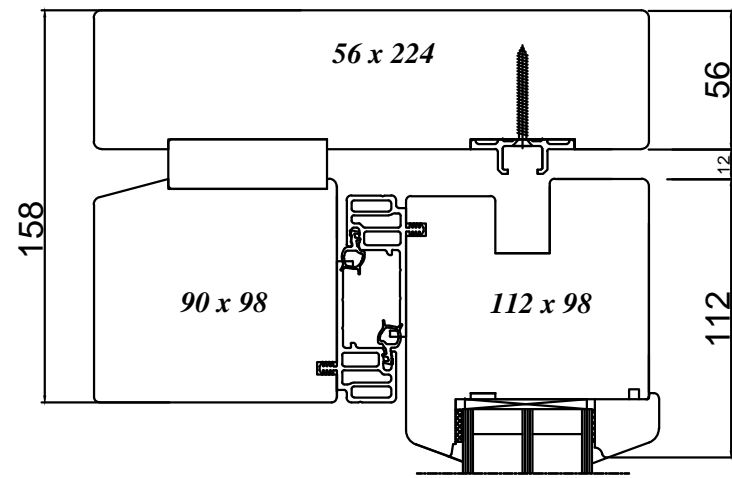
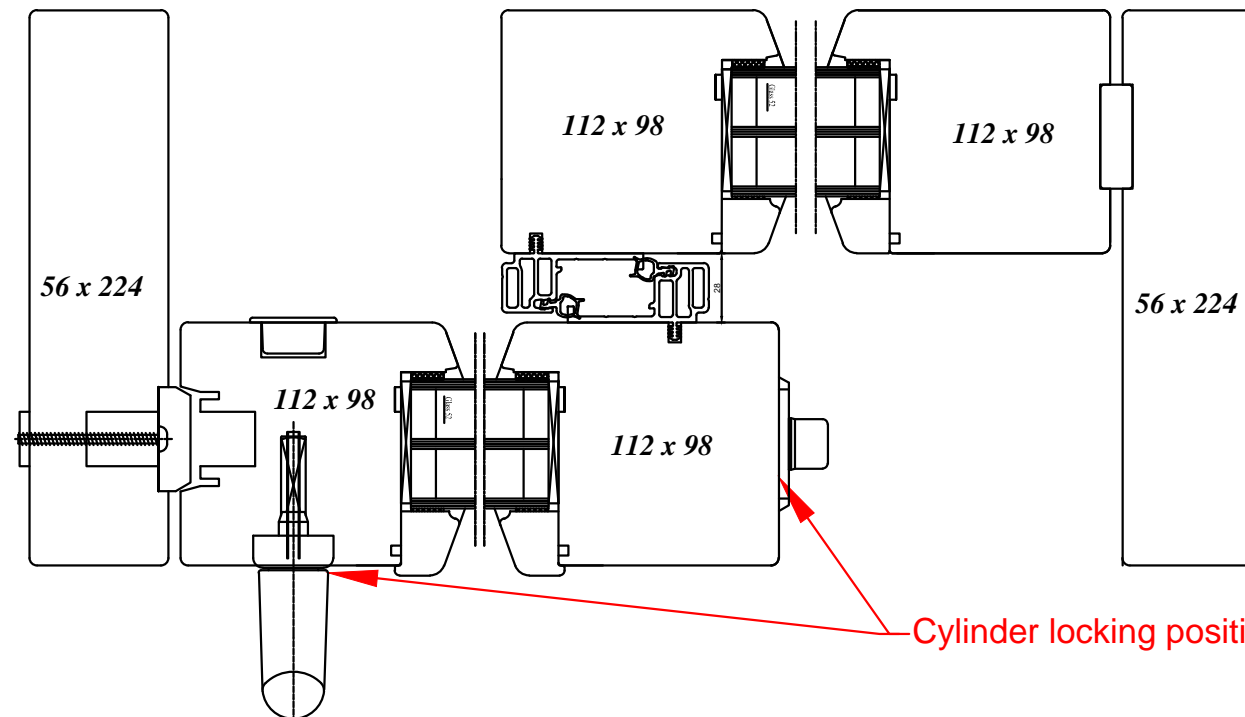


ULTRA range Lift and slides - Secure by design/ Part Q



• Locking points



Cylinder locking positions

General Notes

DO NOT SCALE
Retention of Copyright: Environmental Construction Products Ltd retain the copyright of this document. Environmental Construction Products Ltd licenses the Purchaser to use and copy this document only for the Purchaser's own purposes subject to our Standard Conditions of Sale and to payment of all invoices according to agreed terms.

No.	Drawing Title
01	Ultra SBD Lift and slide
Last updated:	22/ 3/ 2017 LS

green building store® Windows Department
Green Building Store
Heath House Mill,
Heath House Lane,
Golcar, Huddersfield
HD7 4JW
Tel: 01484 463336
Email: windowenquiries@greenbuildingstore.co.uk