

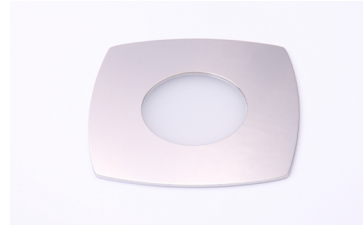
LUMEN 810 Range. FULLY DIMMABLE, 9.5W LED LIGHT ENGINE



ARIES



PLUTON



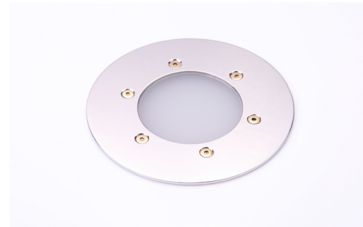
HELIOS



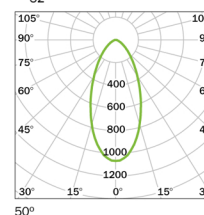
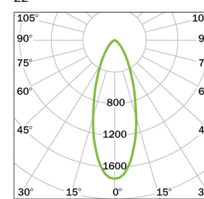
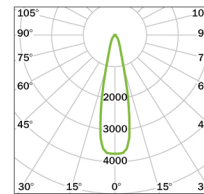
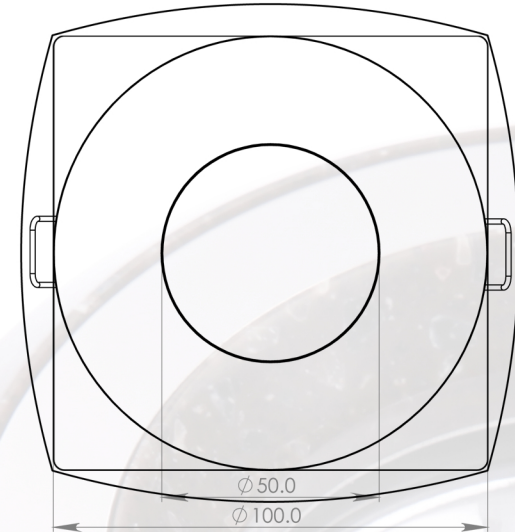
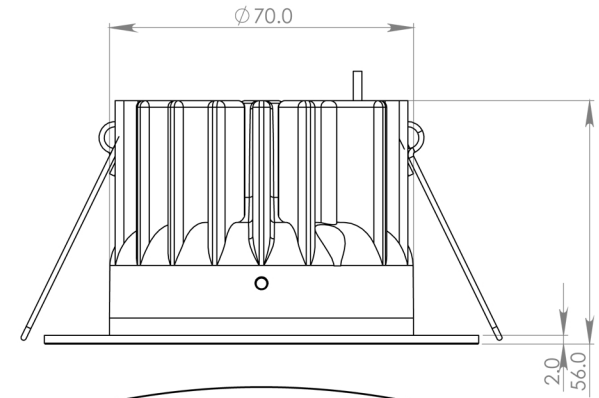
AQUARIO



SOLA



LUA



Finishes	Polished 316 / Brushed / White / Gold / Custom		
Lens Options	22° / 32° / 50° Clear or Diffused		
Light Output Comparable to	50w MR16 Dichroic		
LED Power Consumption	9.5w		
Luminaire Consumption	11w		
LED Lumen Output	809Lm @ 3000k		
Minimum CRI Level	Ra 83		
Actual Delivered Lumens @	22°	32°	50°
2700k	654Lm	623Lm	623Lm
3000k	695Lm	663Lm	663Lm
4000k	741Lm	706Lm	706Lm
6500k	793Lm*		
Lifespan > 70% Output	50,000Hrs		
Luminaire Forward Voltage	9.3Fv Typical - Max 10.5Fv		
Constant Current	1000m/a		
Lumens P/W Efficacy @	64.4Lm / 68.5Lm / 69.7Lm/cw		
2700k / 3000k / 4000k			
Compatible Voltage supply	24v DC / 120v - 240v AC with LED Driver		
Lumen Maintenance Category	Cree LEDs Cat 1 / Code 9		

*Subject to MOQ

The LUMEN 810, Fully Dimmable 9.5w LED Light Engine with 7 LED Cluster. Available with six different bezel options and three beam angle options. The Lumen 810 is the brightest engine of the Lumen Range boasting an max output of 793Lm and an average efficacy ratio of 68.5Lm per Watt. The 630 range come fully barcoded from our factory so we know exactly what finish and colour temperature you receive. Future replacements can then be matched exactly without colour temperature discrepancies. The LUMEN 810 Range also comes complete with a 5 year warranty. Please inquire for custom sizes, finishes and concept designs.