



Your Local IBC Experts:



phone: 613-224-0041 email: office@francisplumbing.com
chat on our website: www.FrancisPlumbing.com

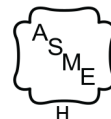
HC Series

- HC 13-50 13,500 to 51,000 BTU/HR
- HC 23-84 23,000 to 84,000 BTU/HR
- HC 29-106 29,000 to 106,000 BTU/HR
- HC 20-125 20,000 to 125,000 BTU/HR
- HC 33-160 33,000 to 160,000 BTU/HR

Condensing Boiler

IBC's smallest ever boiler, the HC series begins with the HC 13-50 offering the solution for today's better insulated buildings. With onboard full outdoor reset and a slim boiler room footprint the HC Series offers great value for money without sacrificing reliability.

- Unique and innovative single pass Copper / Aluminum heat exchanger, ensuring greater efficiency and eliminating water side corrosion.
- Up to 95% AFUE, with full ASME-rated vessel.
- Built-in boiler pump.
- PVC/CPVC/PPs approved.
- 2" & 3" venting options available.
- Contractor friendly, easy to install, maintain and service.
- Fewer parts ensuring greater reliability.
- Outdoor reset technology increases efficiency by lowering the water temp automatically.
- Reset heating - Set point - DHW.
- Includes Air Vent, Outdoor Sensor & Relief Valve.
- Better reliability and durability.



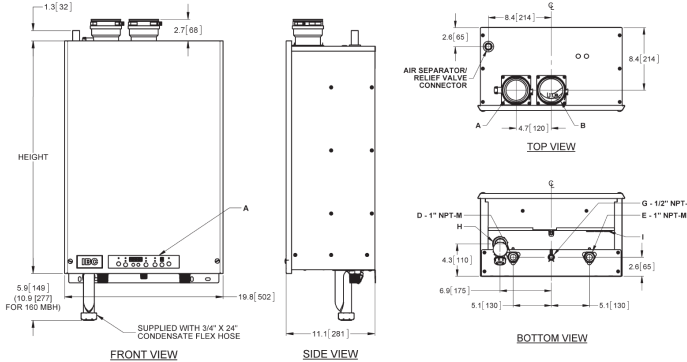
Energy Efficient Heating

IBC Better Boilers

HC Series

13,500 to 51,000 BTU/HR 23,000 to 84,000 BTU/HR
 29,000 to 106,000 BTU/HR 20,000 to 125,000 BTU/HR
 33,000 to 160,000 BTU/HR

Condensing Boiler



| HEIGHT | HC SERIES |
|-----------|---------------|
| HC 13-50 | 26.6" / 676mm |
| HC 23-84 | 26.6" / 676mm |
| HC 29-106 | 29.0" / 738mm |
| HC 20-125 | 31.3" / 796mm |
| HC 33-160 | 31.3" / 796mm |

| SPECIFICATIONS | HC 13-50 | HC 23-84 | HC 29-106 | HC 20-125 | HC 33-160 |
|--|---------------|---------------|---------------|---------------|---------------|
| CSA Input (Natural Gas or Propane *) – MBH | 13.5 – 51 | 23 – 84 | 29.0 – 106 | 20 – 125 | 33 – 160 |
| CSA Input (Natural Gas or Propane *) – KW | 3.95 – 14.94 | 6.7 – 24.9 | 8.4 – 31.0 | 5.6 – 36.6 | 9.7 – 46.9 |
| CSA Output – MBH | 12.4 – 45.4 | 21.2 – 74.8 | 26.7 – 94.3 | 18.6 – 110.8 | 30.4 – 140.0 |
| CSA Output - KW | 3.64 – 13.3 | 6.2 – 21.9 | 7.7 – 27.6 | 5.4 – 32.5 | 8.9 – 41.0 |
| A.F.U.E | 95% | 94% | 94% | 95% | 94% |
| Min gas pressure (Nat. Gas or Propane) – inch w.c. | 5 | 5 | 5 | 5 | 5 |
| Max gas pressure (Nat. Gas or Propane) – inch w.c. | 14 | 14 | 14 | 14 | 14 |
| Power (120Vac/60Hz) - Watts @ full fire with internal pump | 126 | 126 | 128 | 130 | 164 |
| Weight (empty) – lbs/Kg | 85 / 39 | 85 / 39 | 85 / 39 | 85 / 39 | 85 / 39 |
| Pressure vessel water content – USG/Liters | 0.37/1.4 | 0.37/1.4 | 0.37/1.4 | 0.5/1.9 | 0.5/1.9 |
| Max boiler flow rate - USgpm | 9 | 9 | 10 | 11 | 11 |
| Min boiler flow rate - USgpm | 2 | 2 | 3 | 3 | 3 |
| Max operating pressure – Space Heating Coil - psig | 43.5 | 43.5 | 43.5 | 43.5 | 43.5 |
| Approved installation altitude - ASL | 0 - 12,000 ft | 0 - 12,000 ft | 0 - 12,000 ft | 0 - 12,000 ft | 0 - 12,000 ft |
| Ambient temperature – Low (°F/°C) | 32/0 | 32/0 | 32/0 | 32/0 | 32/0 |
| Ambient temperature – High (°F/°C) | 122/50 | 122/50 | 122/50 | 122/50 | 122/50 |
| Max relative humidity (non-condensing) | 90% | 90% | 90% | 90% | 90% |
| Min water temperature - Space Heating (°F/°C) | 50/10 | 50/10 | 50/10 | 50/10 | 50/10 |
| Max water temperature – Space Heating (°F/°C) | 194/90 | 194/90 | 194/90 | 194/90 | 194/90 |
| Max equivalent vent length 2" (each side) | 35' | 35' | 35' | 35' | 35' |
| Max equivalent vent length 3" (each side) | 120' | 120' | 120' | 120' | 120' |

Natural Gas boilers require a Propane conversion kit to be ordered separately if converting from Natural Gas to Propane. Propane boilers require a Natural Gas conversion kit to be ordered separately if converting from Propane to Natural Gas.

Boilers are shipped with 30 psi pressure relief valve.

| DESCRIPTION | HC SERIES |
|---------------------------------|----------------|
| A Exhaust outlet | 3" Schedule 40 |
| B Combustion air | 3" Schedule 40 |
| E Heating water inlet (return) | 1" Male NPT |
| F Heating water outlet (supply) | 1" Male NPT |
| G Gas inlet | 1/2" Male NPT |
| H Condensate outlet | 3/4" Hose |
| I Knock-outs (3) | 1/2" |

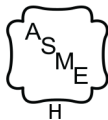
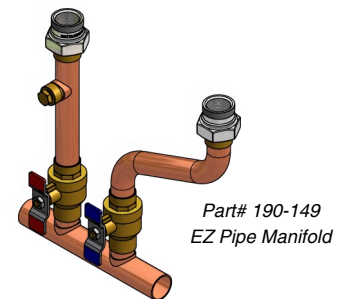
Connections

| SURFACE | DISTANCE FROM COMBUSTIBLE SURFACES | RECOMMENDED DISTANCE FOR INSTALLATION AND SERVICE |
|------------|------------------------------------|---|
| Front | 2" | 24" |
| Rear | 0" | 0" |
| Left side | 1.5" | 6" (labels may be difficult to read with reduced clearance) |
| Right side | 4" | 6" (labels may be difficult to read with reduced clearance) |
| Top | 2" | 24" |
| Bottom | 8" | 24" |

Clearance from boiler cabinet

| EXHAUST PIPE SIZE | MAXIMUM EQUIVALENT LENGTH |
|-----------------------------------|---------------------------|
| Sched.40; Rigid PPs | (each side) |
| 2" | 35' |
| 3" | 120' |
| 2 1/3" 90° Long sweep vent elbow | Allow 5' equivalent feet |
| 2 1/3" 90° Short sweep vent elbow | Allow 8' equivalent feet |
| 2 1/3" 45° Vent elbow | Allow 3' equivalent feet |
| PPS | |
| PPs 87-90' Elbow | Allow 8' equivalent feet |
| Flexible PPs | |
| 3" Flexible | 35 Actual feet |

Maximum exhaust venting length



www.ibcboiler.com

Your Local IBC Experts: Francis Plumbing & Heating ClimateCARE
 phone: 613-224-0041 email: office@francisplumbing.com
 chat on our website: www.FrancisPlumbing.com