

A R PEACHMENT



TOTAL MARINE SOLUTIONS

TECHNODRIVE GEARBOXES - TM40P



Description

The Technodrive TMC40P marine gearbox unit is equipped with conical clutches mechanically operated, actuated by a servo-system; gears are specially constructed for quiet operation and bearings are ample proportioned.

Options

- BW Housing
- SAE 5 Bell Housing
- Dumper Plate
- Cable Bracket

Torsional Responsibility

Disregarding propulsion system torsional compatibility could cause damage to components in the drive train resulting in loss of mobility. At minimum, system incompatibility could result in gear clatter at low speeds. The responsibility for ensuring that the torsional compatibility of the propulsion system is satisfactory rests with the assembler of the drive and driven equipment.

Technical Data

Forward Ratio	Input Ratings - kW					
	Pleasure		Intermediate		Continuous	
	3000 RPM	3600 RPM	2800 RPM	2800 RPM	1800 RPM	2300 RPM
1.45	26	26	26	26	18	23
2.00	26	26	21	24	13	17
2.60	22	26	17	19	9	12

Maximum Engine Speed	4500 rpm
Maximum Engine Power	26kW
Maximum Power in Reverse	33% of listed ratings
Reverse Ratio	2.13
Dry Weight	8.8kg
Oil Quantity	0.20 litres



A R Peachment Ltd
Riverside Estate
Brundall
Norwich
NR13 5PL



info@peachment.co.uk



www.peachment.co.uk



+44 (0) 1603 714077



+44 (0) 1603 712211



manni
energy in blue

A R PEACHMENT



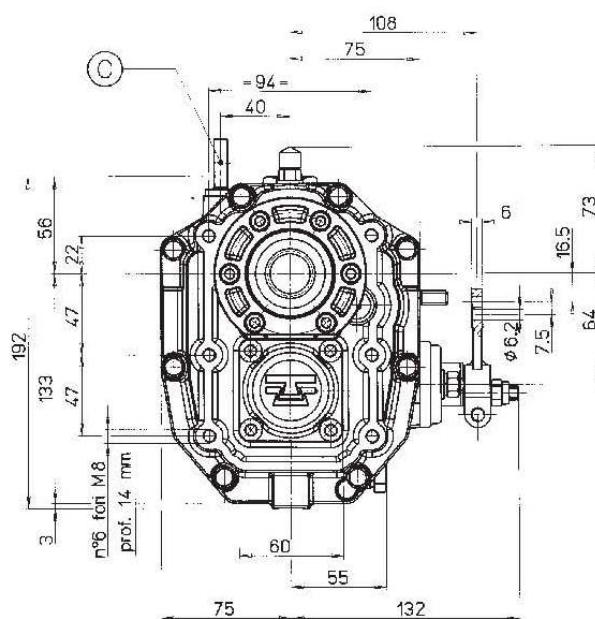
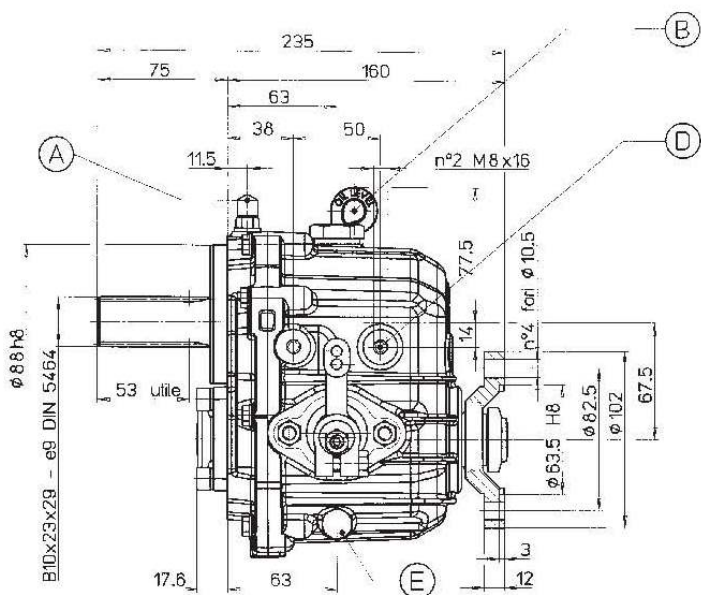
TOTAL MARINE SOLUTIONS

TECHNODRIVE GEARBOXES - TM40P



TMC40P Dimensions

- A Oil Breather Plug
- B Filling Plug
- C Oil Dipstick
- D Holes for Control Cables Bracket
- E Oil Drain Plug



A R Peachment Ltd
 Riverside Estate
 Brundall
 Norwich
 NR13 5PL



info@peachment.co.uk



www.peachment.co.uk



+44 (0) 1603 714077



+44 (0) 1603 712211

