



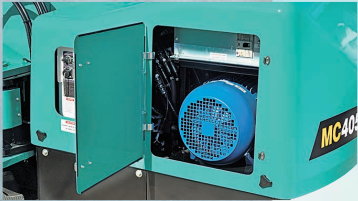
# SPIDER CRANE **MC405C-3**

Crane Capacity  
**3.83t × 2.7m**

Max. working radius  
**16m × 0.21t**

Max Lifting Height  
**16.8m / 20.7m**  
(with fly jib)

- Pick & Carry Duties: 500kg
- Dimensions (L × W × H): 4980 × 1380 × 1980 mm
- Crane / Outrigger Interlock System
- 4Fall/2Fall Hook Block
- Digital Feedback Remote Control
- Data Logger
- EU Stage V Compliant Engine
- Available with Fly Jib & Searcher Hooks



Electric Motor Power (Option)



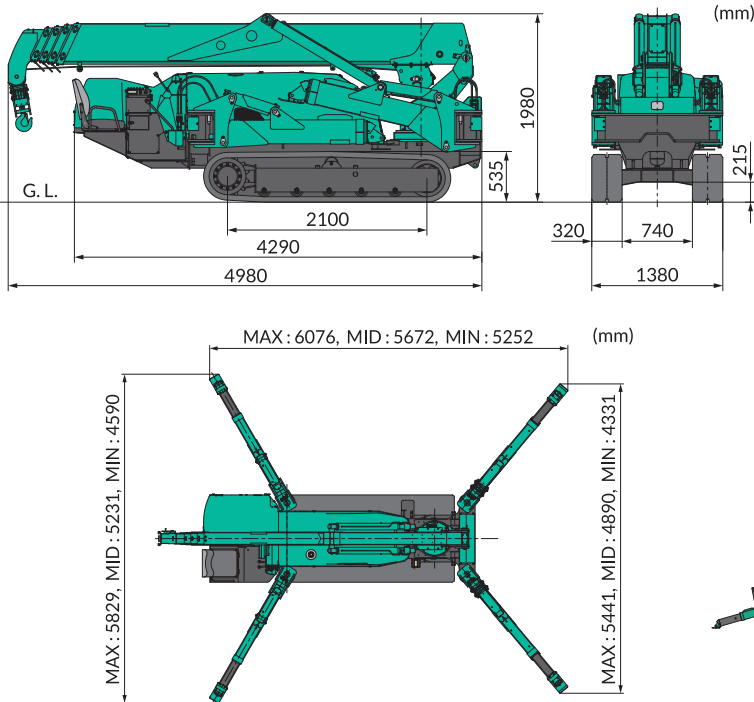
Searcher Hooks (Option)



## Specifications

| Model                               |                                  | MC405CRM(E)-3  |
|-------------------------------------|----------------------------------|--|
| Crane capacity                      |                                  | 3.83t x 2.7m   |
| Max. working radius                 |                                  | 16m x 0.21t  |
| Max. lifting height (on the ground) |                                  | 16.8m  |
| Max. lifting height (underground)   |                                  | -20.5m (4 falls)   |
| Winch system                        | Hook speed                       | 12.0m/min [18.0m/min] (4 layers, 4 falls)  |
|                                     | Hoist wire rope                  | IWRC 6 x WS(26) φ8 x 92m   |
| Telescoping system                  | Type                             | Fully automatic 5-section pentagonal telescopic boom   |
|                                     | Boom length                      | 4.735m ~ 16.475m   |
|                                     | Boom telescoping stroke / time   | 11.7m / 54.2sec [41.3sec]  |
| Boom hoist system                   | Hoist angle / time               | 0 ~ 80deg / 24.5sec [17.0sec]  |
| Swing system                        | swing angle / time               | 360deg / 2.1rpm [2.5rpm]   |
| Outrigger system                    | Type                             | Extended Hydraulic cylinder direct acting<br>Setting up Hydraulic cylinder direct acting   |
|                                     | Max. extended width (outer dims) | (Lateral) 6,076mm x (Front) 5,441mm x (Rear) 5,829mm   |
| Travel system                       | Type                             | Hydraulic motor driven, stepless speed changer   |
|                                     | Travel speed                     | 0 ~ 2.9km/h  |
|                                     | Gradability                      | 20deg  |
|                                     | Crawler ground length x width    | 1,720mm x 320mm  |
| Engine                              | Ground pressure                  | 49.0kpa [0.50kgf/cm <sup>2</sup> ]   |
|                                     | Model                            | YANMAR 3TNV88F-EPMB  |
|                                     | Displacement                     | 1.642L [1,642cc]   |
|                                     | Rated output                     | 17.5kw/2,400min <sup>-1</sup> [23.8PS/2,400rpm]  |
|                                     | Starting method                  | Electric starting  |
| Motor (MC405CRME-3)                 | Fuel / Fuel tank capacity        | Diesel / 60.0L   |
|                                     | Motor type                       | Totally enclosed fan-cooled motor 7.5kw, 3-Phase, 380V   |
| Remote control system               | Starting system                  | Inverter system (30Hz-60Hz)  |
|                                     | Type                             | Cable remote controller  |
|                                     | Micro / High speed mode          | Available  |
| Pick & Carry capacity               | Load display for transmitter     | Available  |
|                                     | Outrigger operation              | Available  |
| Overall length x width x height     |                                  | 500kg  |
| Machine weight                      |                                  | 4,980mm x 1,380mm x 1,980mm  |
| Safety device                       |                                  | 5,600kg (5,750kg with electric motor)  |
|                                     |                                  | Overwind protection, Load indicator,<br>Hydraulic safety valve, Level,<br>Machine body inclination alarm, EMO switch,<br>Travel lock lever, Crane & Outrigger interlock device,<br>Moment limiter, Rotary lamp |
|                                     |                                  | White rubber track, Single fall hook, Protection roll bar,<br>Searcher hooks, Fly jib  |
|                                     |                                  |  |

## Dimensions



## Rated Total Load Chart (4falls)

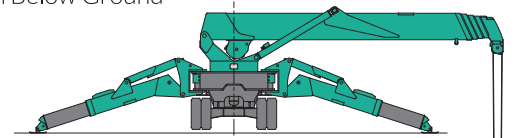
| Outrigger extended to maximum |                      |                   |                      |                   |                      |                   |                      |
|-------------------------------|----------------------|-------------------|----------------------|-------------------|----------------------|-------------------|----------------------|
| 4.735m / 7.695m Boom          |                      | 10.655m Boom      |                      | 13.565m Boom      |                      | 16.475m Boom      |                      |
| Working radius(m)             | Rated total load(kg) | Working radius(m) | Rated total load(kg) | Working radius(m) | Rated total load(kg) | Working radius(m) | Rated total load(kg) |
| 2.7 or less                   | 3830                 | 3.5               | 3030                 | 4.0               | 2230                 | 5.0               | 1130                 |
| 3.5                           | 3030                 | 4.0               | 2580                 | 4.5               | 1930                 | 5.5               | 980                  |
| 4.0                           | 2580                 | 5.0               | 2030                 | 5.0               | 1730                 | 6.0               | 910                  |
| 5.0                           | 2030                 | 6.0               | 1680                 | 6.0               | 1400                 | 7.0               | 760                  |
| 6.0                           | 1680                 | 7.0               | 1380                 | 7.0               | 1180                 | 8.0               | 650                  |
| 7.0                           | 1380                 | 8.0               | 1130                 | 8.0               | 1030                 | 9.0               | 600                  |
| 7.25                          | 1330                 | 9.0               | 880                  | 9.0               | 930                  | 10.0              | 550                  |
|                               |                      | 10.2              | 580                  | 10.0              | 830                  | 11.0              | 490                  |
|                               |                      |                   |                      | 11.0              | 690                  | 12.0              | 440                  |
|                               |                      |                   |                      | 12.0              | 530                  | 13.0              | 380                  |
|                               |                      |                   |                      | 13.1              | 430                  | 14.0              | 320                  |
|                               |                      |                   |                      |                   |                      | 15.0              | 260                  |
|                               |                      |                   |                      |                   |                      | 16.0              | 210                  |

\* The Rated Total Load Chart is based on actual working radius with the bending of boom attributable to load reflected and is shown with the mass of hook (50kg) included.

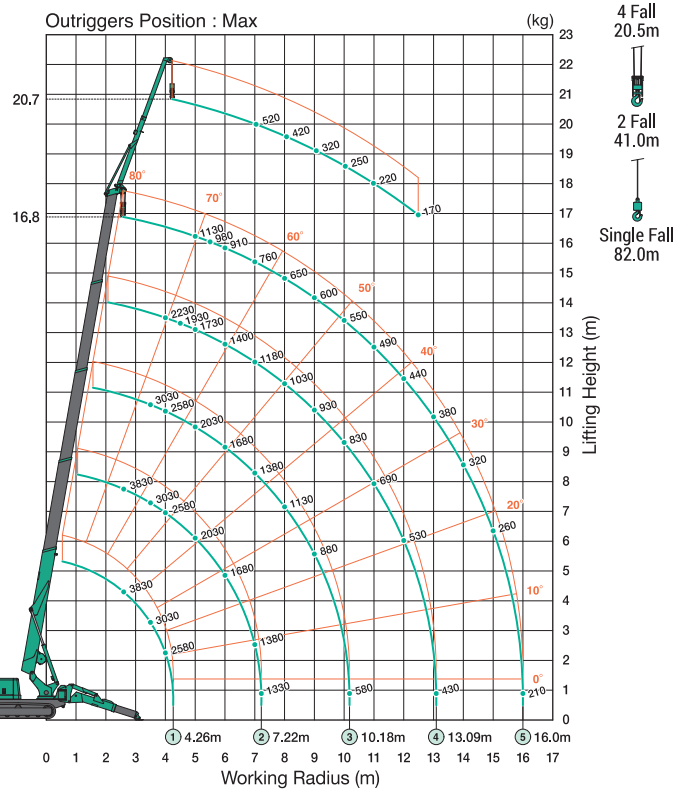
## Fly jib Rated Total Load Chart (Optional)

| Boom angle (deg) | Jib length : 4.5m (kg) |
|------------------|------------------------|
| 76               | 520                    |
| 72               | 520                    |
| 69               | 420                    |
| 66               | 320                    |
| 63               | 250                    |
| 60               | 220                    |
| 55               | 170                    |

## MAX. Reach Below Ground



## Working Range Chart (4falls)



\* Due to improvements, the specifications are subject to change without notice.

Before use, please read the Operation Manual



## MAEDA SEISAKUSHO CO.,LTD.

Head office

No.1095, Onbegawa, Shinonoi, Nagano-City, Nagano-Pref. 388-8522 Japan  
 TEL.+81(0)26 292 2228 FAX.+81(0)26 293 5590  
 URL : [www.maedaminicranes.com](http://www.maedaminicranes.com) E-mail : [contact@maeda-minicranes.com](mailto:contact@maeda-minicranes.com)