

Craftstone



This project involved building a bedroom block on to an existing restaurant in Derry. Loughrey Agnew Architects incorporated into the design a combination of architectural portland precast units and reconstituted buff sandstone.

The elements supplied in portland precast included sills, string courses and large moulded entablatures, some of which are curved. Buff reconstituted sandstone was used at the main entrance of the hotel for columns and curved cladding/entablature units above the columns.

The result is a striking combination of white portland stone and buff sandstone which contrast beautifully with the vibrant colours of the rendered walls.

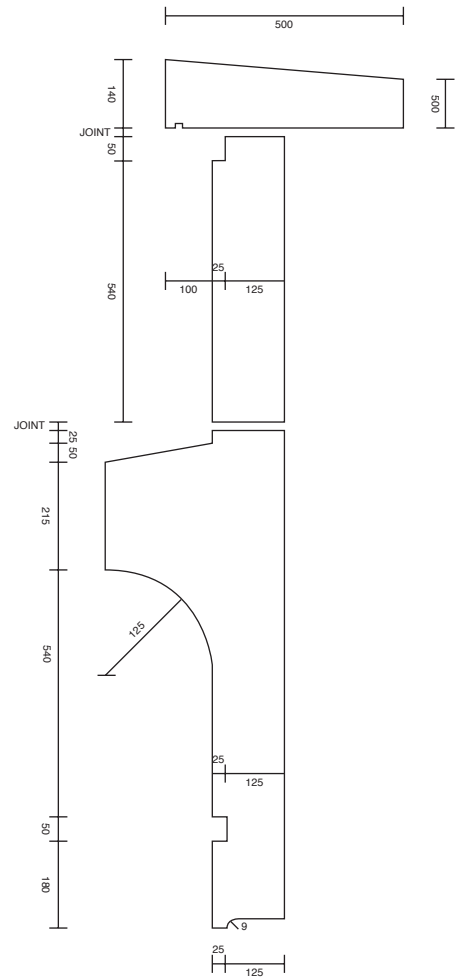
PROJECT | Da Vinci's Hotel

LOCATION | Culmore Road, Derry

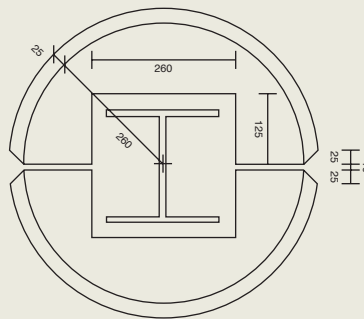
ARCHITECT | Loughrey Agnew Architects

CONTRACTOR | Kevin Watson Construction

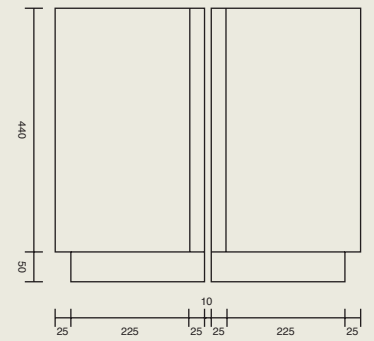
Section of curved entablature



Plan of column cladding



Elevation of column cladding



End elevation of cill/cap

