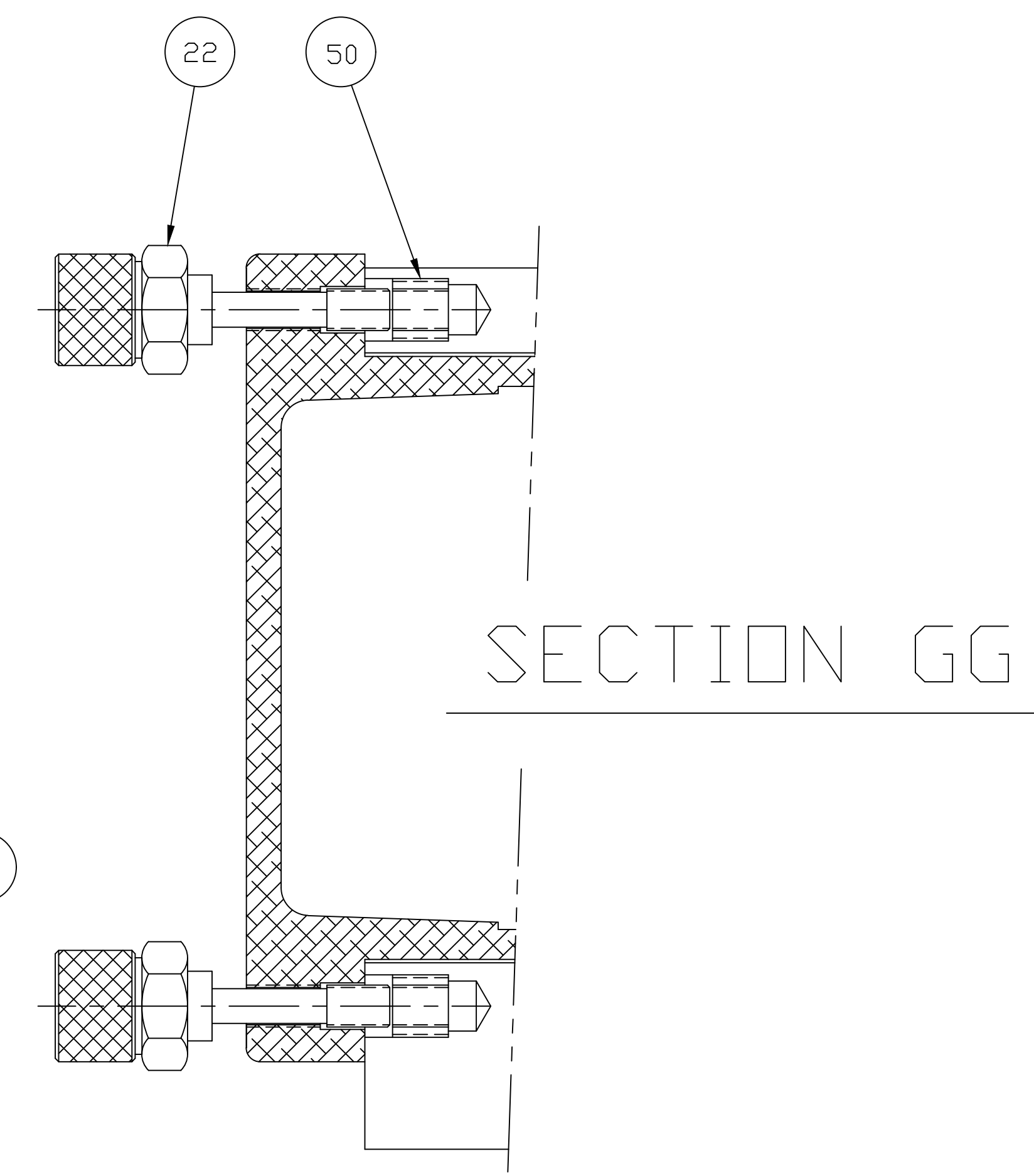
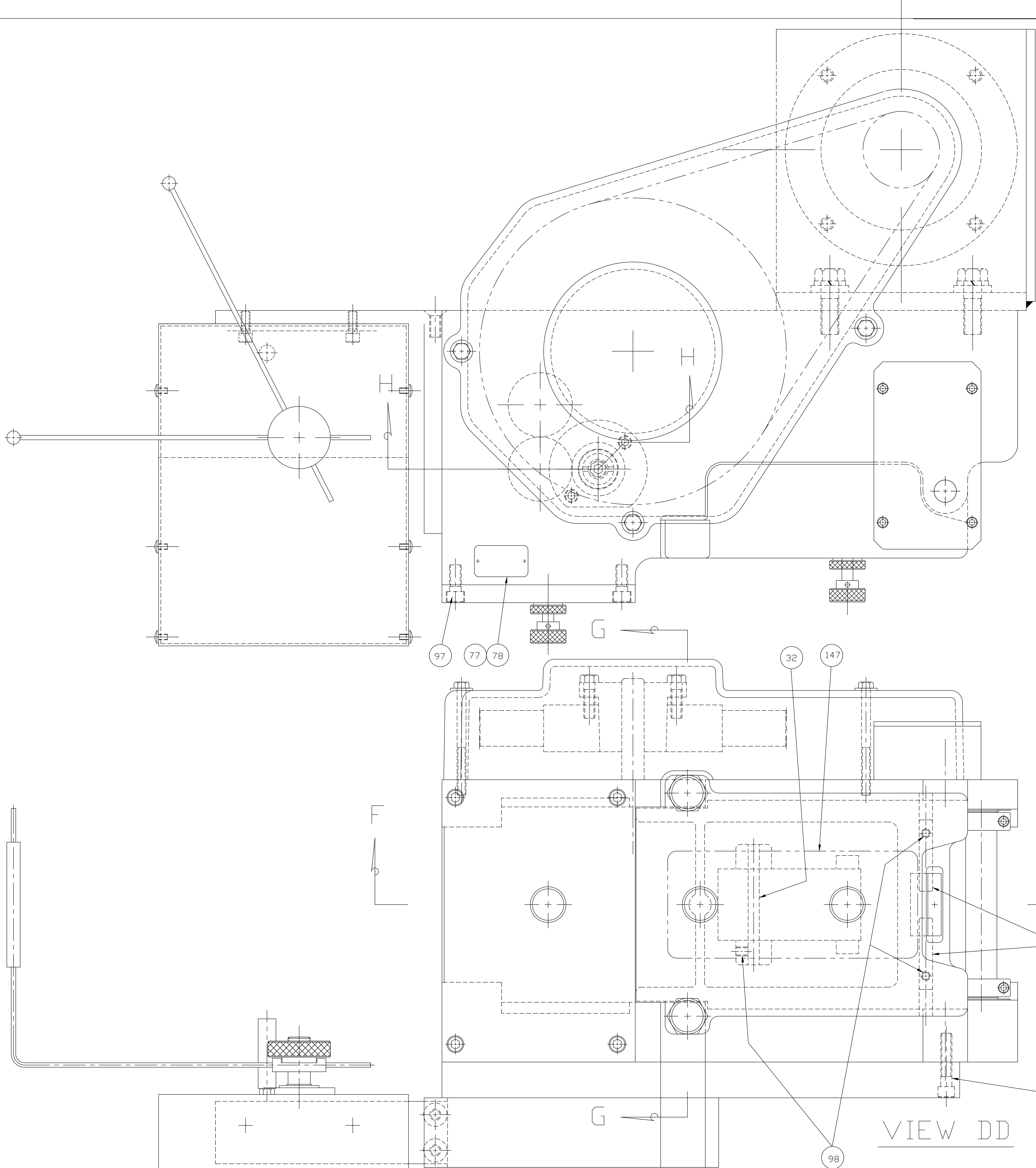


SECTION HH



SECTION GG

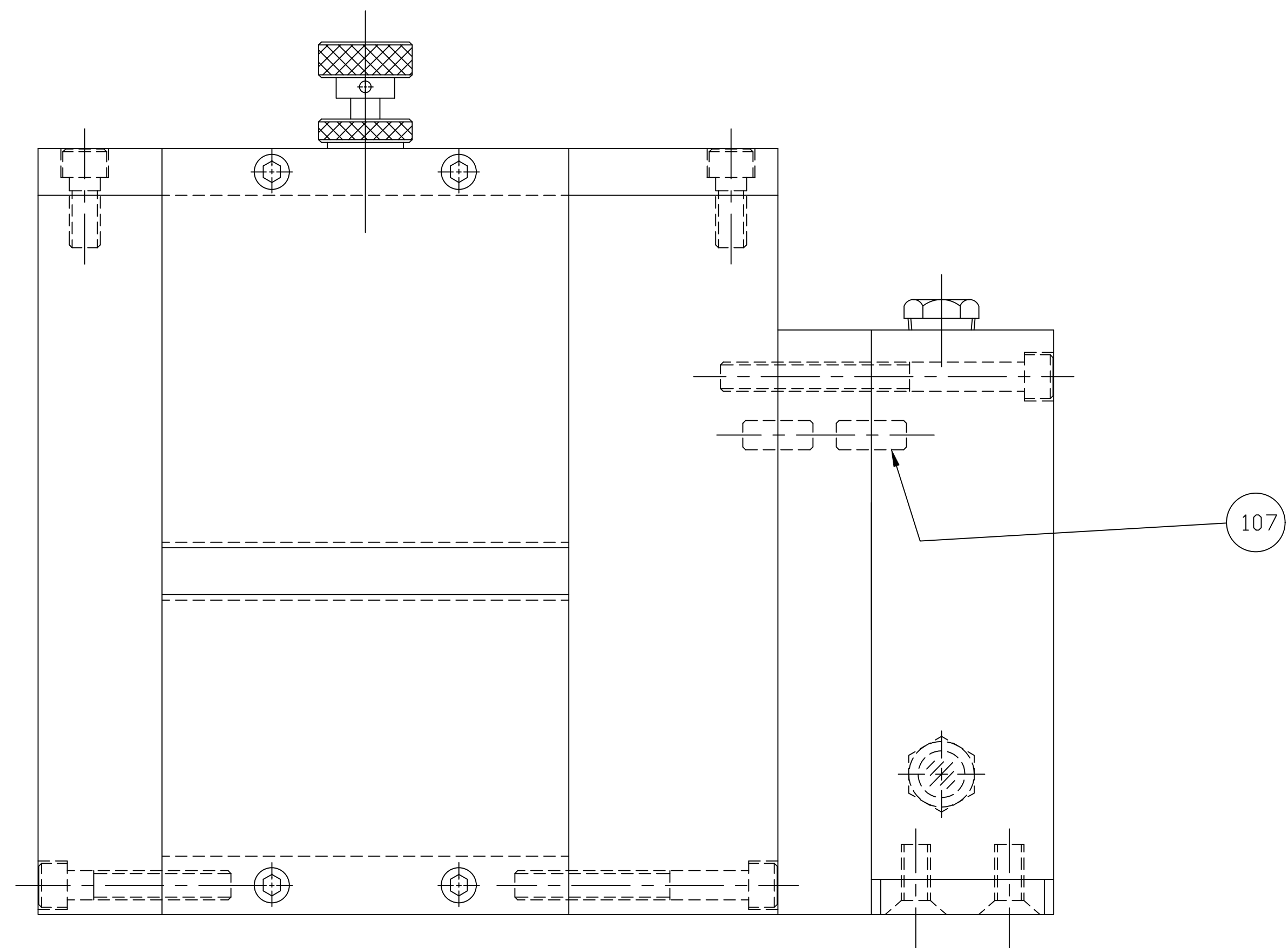


VIEW DD

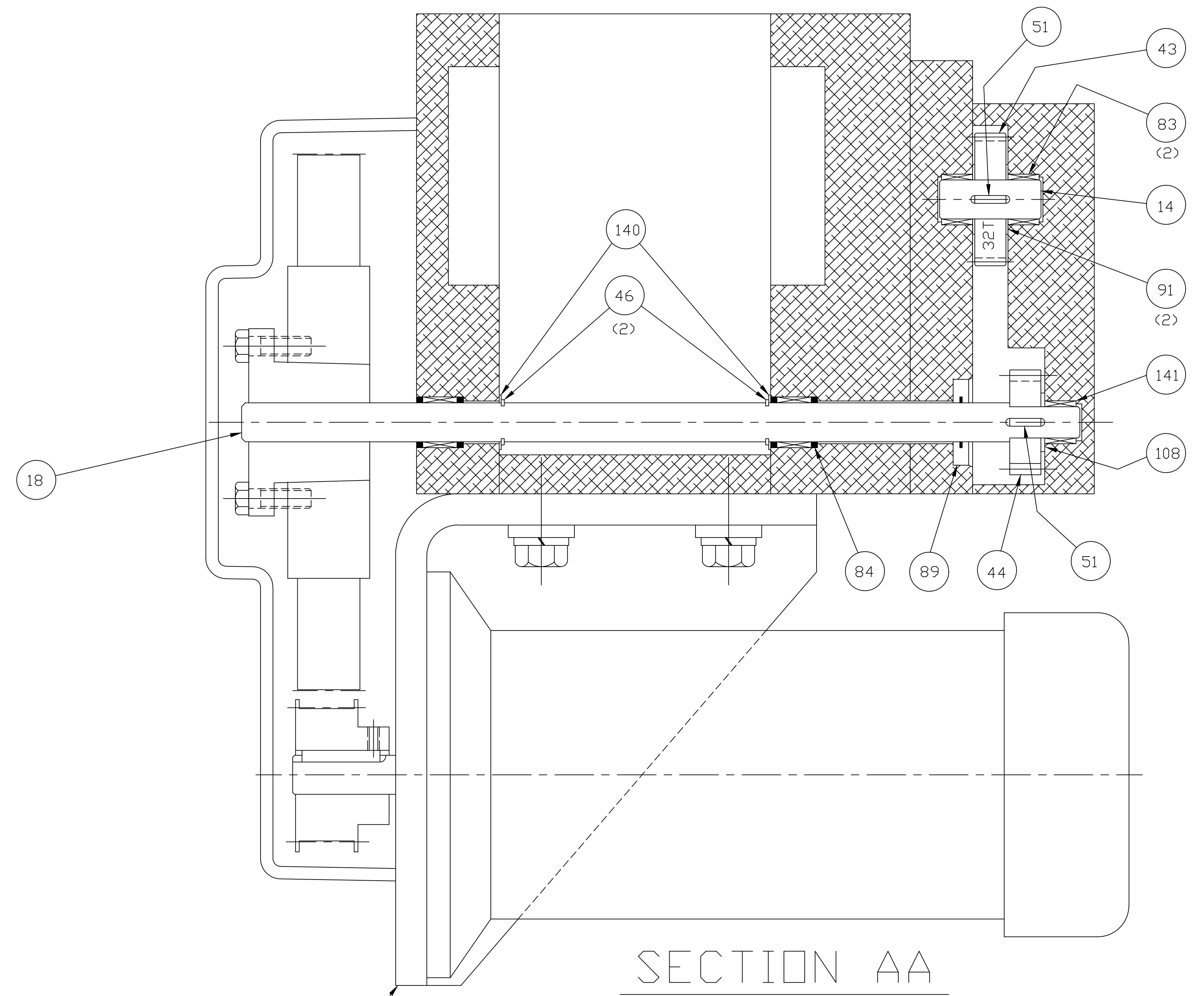
SHEET 2 OF 4

RAPID-AIR CORPORATION
 ROCKFORD, ILL. • MADISON, SD
 PART NAME: SBX-4 STN'R (STD. SPEED)
 WITH PUSHBUTTON CONTROLS

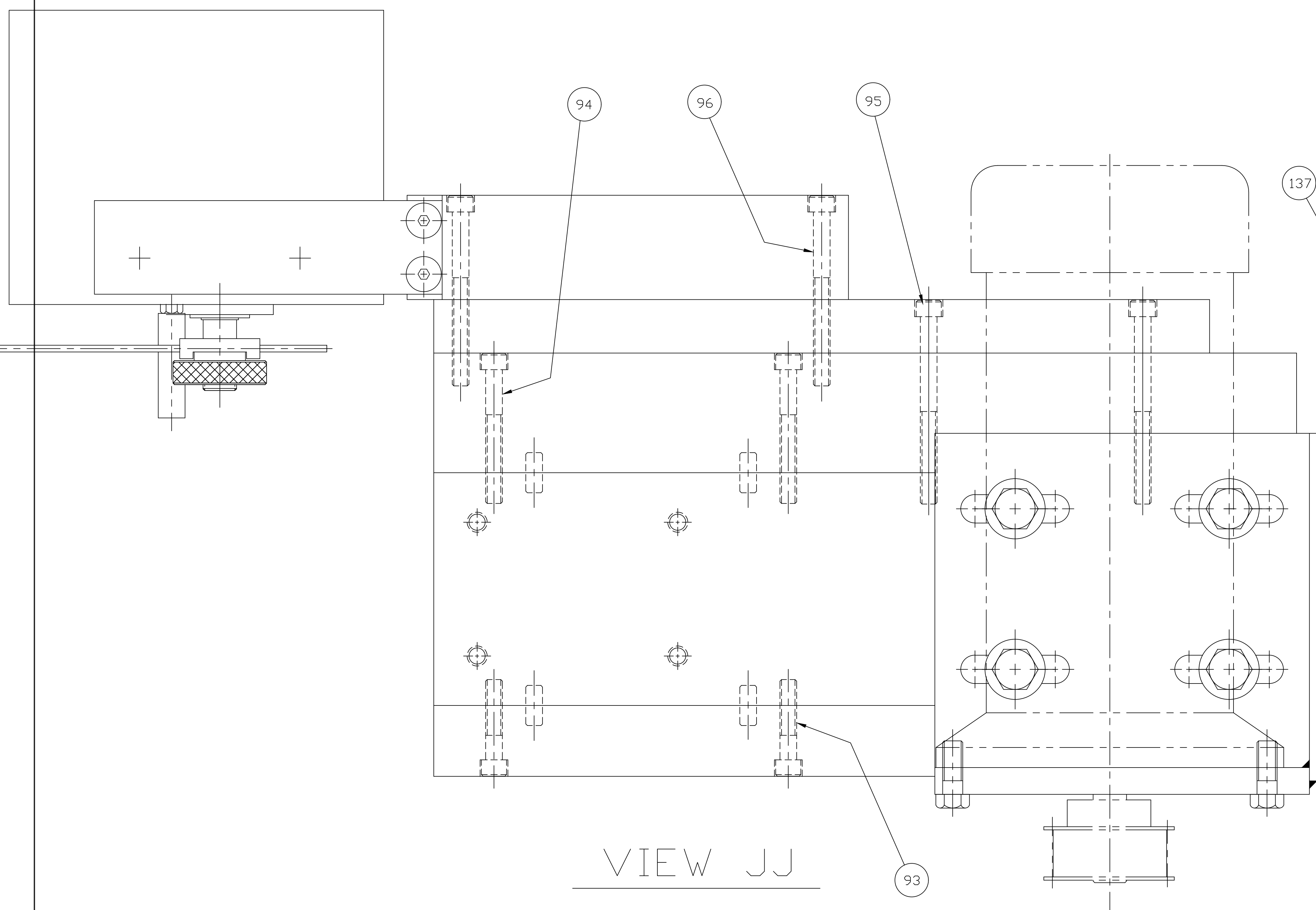
ASSEMBLY	11200522								
STANDARD WTD. TOLERANCES									
DRAWN BY	DLU	CHECKED BY							
DATE	1-7-02	DRAWING NUMBER	26400137						
SCALE	FULL								



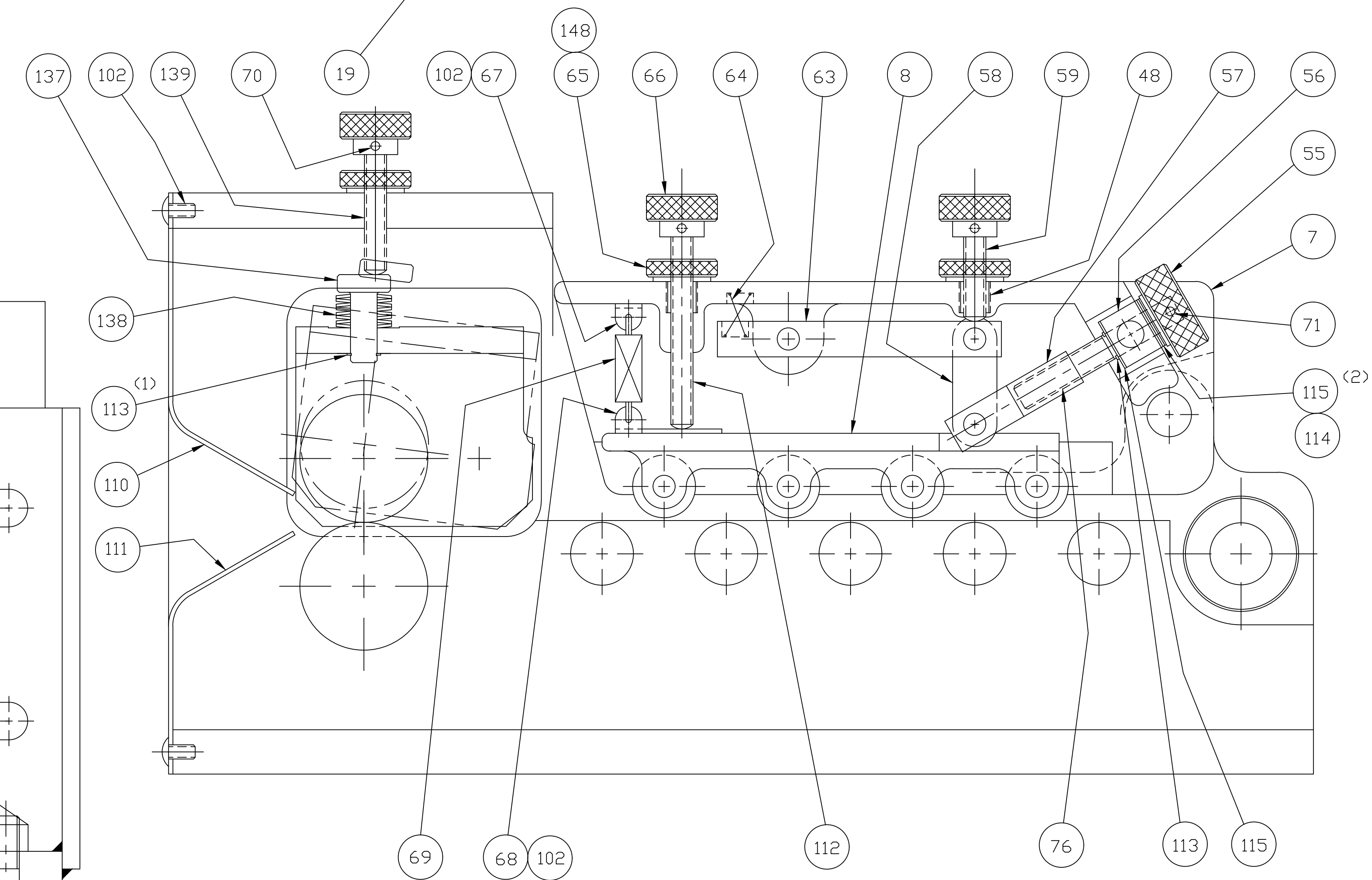
VIEW II



SECTION AA



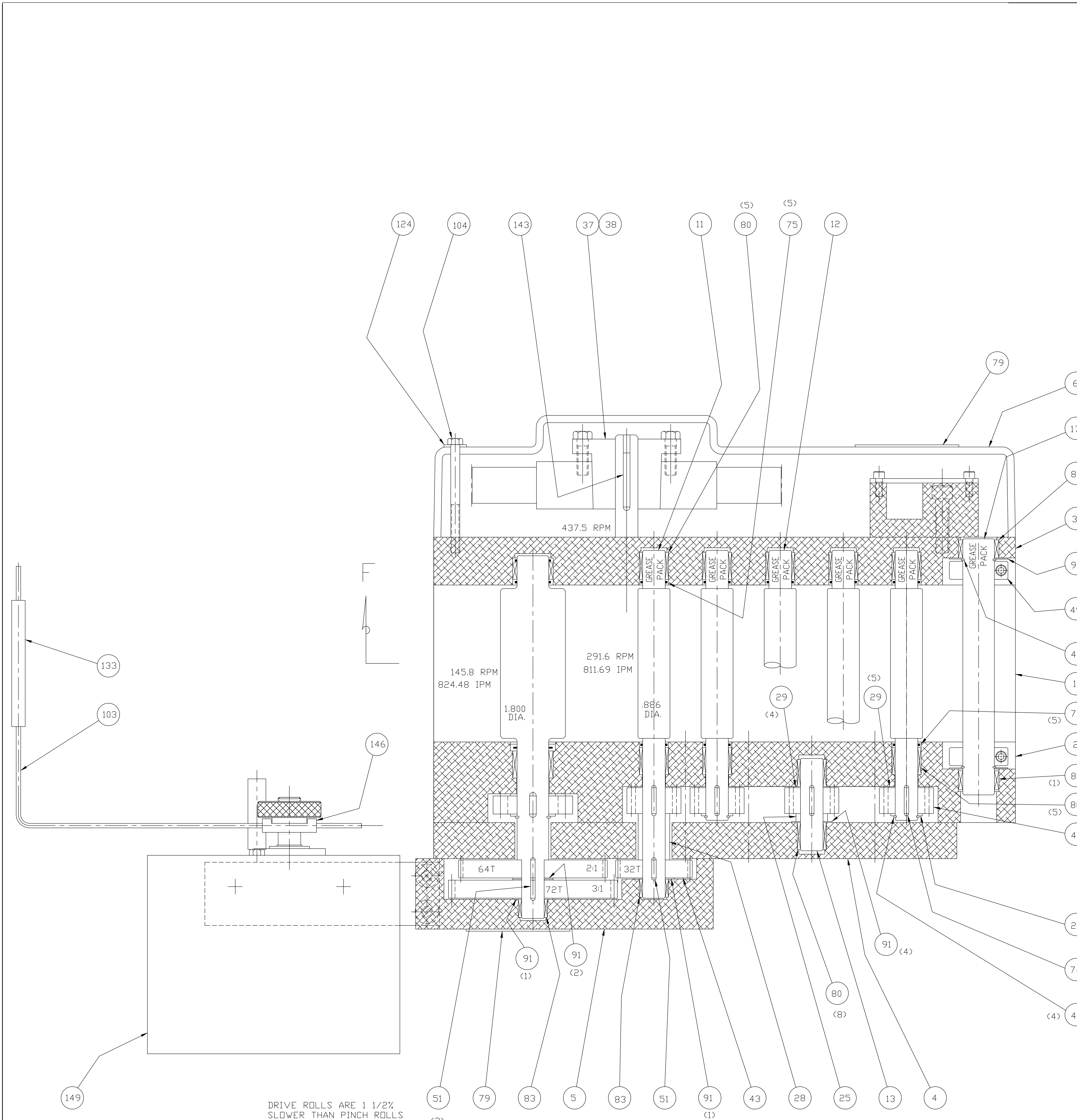
VIEW JJ



SECTION FF

ASSY. 111200522		MATERIAL		WEIGHT	
STANDARD MET. DIMENSIONS UNLESS OTHERWISE SPECIFIED					
SCALE	1:200	REV.	CHANGE	DATE	SCALE FULL
END PLACE	0	REV.	CHANGE	DATE	SCALE FULL
NINE PLACE	00	REV.	CHANGE	DATE	SCALE FULL
THREE PLACE	000	REV.	CHANGE	DATE	SCALE FULL
FOUR PLACE	0000	REV.	CHANGE	DATE	SCALE FULL
FRACTIONS	1/16	REV.	CHANGE	DATE	SCALE FULL
FINISH	42	REV.	CHANGE	DATE	SCALE FULL
REV.	CHANGE	DATE	SCALE FULL	26400137	E

HEAT TREAT	HARDNESS	FINAL FINISH
DATE	CHECKED BY	DATE
DATE	CHECKED BY	DATE
DATE	CHECKED BY	DATE
DATE	CHECKED BY	DATE



SECTION BB

156		
155		
154		
153		
152	1	37500165 SPRING
151	1	61434050 SET SCREW
150	1	67410015 WAVE WASHER
149	1	28900364 CONTROL ASS'Y.
148	3	61200020 WASHER
147	1	39900278 INSTRUCTION LABEL
146	1	34600038 ADAPTOR
145	2	33801019 LOCATING PIN
144	1	64500063 NEEDLE BRG. JTT-1414
143	1	36800019 KEY 3/16 X 1 1/2
142	1	36800013 KEY 3/16 X 1 1/4
141	1	64500015 NEEDLE BRG. B-88
140	2	34700051 WASHER
139	1	36100088 ADJUSTING SCREW
138	8	37500027 SPRING WASHER
137	1	32900636 SPRING RETAINER SHAFT
136	1	32900734 SHAFT
135	2	39900277 LABEL
134	1	69000030 MOTOR 3/4 HP
133	1	34300056 DANCER ROLLER
132	1	32900733 SPACER SHAFT
131	2	65920050 SHCS 1/4-20 X 1/2
130	1	61320031 LOCKWASHER 5/16
129	1	66700064 SHCS 5/16-24 X 1 1/4 W/LOCKWELL
128	1	32900685 ECCENTRIC SHAFT
127	4	69400068 THICK WASHER 1/2"
126	4	61300050 LOCKWASHER 1/2"
125	1	31701842 SEAL PLATE
124	3	61200019 FLAT WASHER 1/4"
123	1	60200066 OIL SEAL - NATIONAL #5976S
122	3	62318050 DOWEL PIN
121	1	60108218 "O" RING
120	1	60108212 "O" RING
119	4	34700110 SPACER
118	2	33900255 NEEDLE BRG. BUSHING
117	1	34100282 SPACER
116	1	34100283 SPACER
115	3	64520010 THRUST WASHER
114	1	67410008 WAVE WASHER
113	2	60910037 RETAINING RING
112	1	33700016 STUD
111	1	31400479 LOWER FRONT GUARD
110	1	31400478 UPPER FRONT GUARD
109	2	32602600 GEAR (MTE)
108	1	64520012 THRUST WASHER
107	8	62331075 DWL PIN 5/16 X 3/4
106	4	65853150 HEX BOLT 1/2-13 X 1 1/2
105	4	65836100 HEX BOLT 3/8-16 X 1
104	3	65820300 HEX BOLT 1/4-20 X 3' LG.
103	1	33600142 DANCER
102	8	66612037 BHSCS #10-32 X 3/8
101	4	65912050 SHCS #10-32 X 1/2
100	2	65936150 SHCS 3/8-16 X 1 1/2
99	3	66212025 SET SCREW
98	3	66220025 SET SCREW
97	4	65931075 SHCS 5/16-18 X 3/4
96	4	65931325 SHCS 5/16-18 X 3 1/4
95	2	65931350 SHCS 5/16-18 X 3 1/2
94	2	65931250 SHCS 5/16-18 X 2 1/2
93	5	65931150 SHCS 5/16-18 X 1 1/2
92	8	34700064 THRUST WASHER
91	10	64520008 THRUST WASHER
90	2	64520022 THRUST WASHER
89	1	60200009 OIL SEAL C/R #6373
88	1	64500062 NEEDLE BRG. JTT-87
87	1	64500008 NEEDLE BRG. B-1412
86	8	64500041 NEEDLE BRG. JTT-59
85	1	64500051 NEEDLE BRG. JTT-1014
84	3	64500057 NEEDLE BRG. JTT-1012
83	4	64500002 NEEDLE BRG. B-108
82	4	64500061 NEEDLE BRG. JTT-1410
81	1	64500005 NEEDLE BRG. B-148
80	18	64500003 NEEDLE BRG. B-1012
79	2	39900245 RAPID-AIR LOGO
ITEM	QTY.	PART NO. DESCRIPTION

78	2	66300250 DRIVE SCREW
77	1	39900051 NAME PLATE
76	1	33700017 HORZ. ADJ. SCREW
75	10	60200043 OIL SEAL
74	9	33801018 DOWEL PIN
73	2	62225100 PULL DOWEL
72	2	62237200 PULL DOWEL
71	1	62412125 ROLL PIN
70	3	62412062 ROLL PIN
69	2	37500050 SPRING
68	1	31900415 BOTTOM SPRING ANCHOR
67	1	31900414 TOP SPRING ANCHOR
66	3	36700017 ADJ. KNOB
65	3	36200018 KNURLED LOCKNUT
64	2	37500040 SPRING
63	1	31701852 UPPER LINK
62	1	69420010 BREATHER
61	1	67700001 OIL SIGHT
60	1	63130375 PIPE PLUG 3/8 NPT
59	1	33700015 STUD
58	2	31701851 LINK
57	1	31900421 HORZ. ADJ. BLOCK
56	1	31900420 PIVOT BLOCK
55	1	36700018 ADJ. KNOB
54	4	32900301 IDLER SHAFT
53	1	36800005 KEY
52	1	37500051 SPRING
51	5	36800030 KEY
50	2	65600004 THREADED INSERT
49	2	34300090 COLLAR (STAFFORD #7L014)
48	2	65600007 THREADED INSERT
47	10	60910031 RETAINING RING
46	7	60910062 RETAINING RING
45	4	60910087 RETAINING RING
44	1	32600210 SPUR GEAR 24T
43	2	32600209 SPUR GEAR 32T
42	1	32600208 SPUR GEAR 72T
41	1	32600207 SPUR GEAR 64T
40	9	32602000 GEAR
39	1	32500017 PULLEY
38	1	32500016 PULLEY W/QD BUSHING
37	1	32500015 TIMING BELT
36	1	32600034 PINNION
35	1	32600109 RACK
34	4	34200270 IDLER ROLLER
33	1	32900741 PIVOT SHAFT
32	2	32900303 HINGE PIN
31	1	32900302 HINGE PIN
30	1	32900742 PIVOT SHAFT
29	11	34700033 SPACER
28	1	34400486 SPACER
27	2	66531075 FHSCS 5/16-18 X 3/4
26	1	31701996 CONTROL MTG. PLATE
25	4	34100287 SPACER
24	4	34100284 SPACER
23	1	30100234 ECC. BRG. HOUSING
22	2	32900743 KNOB SHAFT
21	1	31900602 ROLLER BRACKET
20	1	31701874 TOP PLATE
19	1	21900210 MOTOR MTG. BRKT.
18	1	32900758 MOTOR DRIVE SHAFT
17	1	32900740 GUIDE SHAFT
16	1	34200279 LOWER ROLLER
15	1	34200266 UPPER ROLLER
14	1	32900757 IDLER SHAFT
13	4	32900737 IDLER ROLLER
12	4	34200267 LOWER ROLLER
11	1	32900756 LOWER DRIVE SHAFT
10	1	31400462 RACK HSG. COVER
9	1	30100228 RACK HOUSING
8	1	30100227 PLATTEN HOUSING
7	1	30100226 TOP COVER HOUSING
6	1	30100233 BELT COVER HOUSING
5	1	31701997 GEAR COVER PLATE
4	1	31701871 GEAR SPACER PLATE
3	1	31701870 L.H. SIDE PLATE
2	1	31701869 R.H. SIDE PLATE
1	1	31701868 BASE PLATE
ITEM	QTY.	PART NO. DESCRIPTION

RAPID-AIR CORPORATION
 ROCKFORD, ILL. • MADISON, SD

PART NAME: SBX-4 STN'R (STD. SPEED) WITH PUSHBUTTON CONTROLS

ASSY.	11200522				
STANDARD NFG. TOLERANCES UNLESS OTHERWISE SPECIFIED					
DECIMALS	0	1/32			
THREE PLACES	000	1/1000			
FOUR PLACES	0000	1/10000			
FRACTIONS		1/16			
FINISH	63				

MATERIAL					
TREAT TREAT					
HARDNESS					
REV.		CHANGE			

DATE	4/03	CHECKED BY	DLU	FINAL FINISH	
SCALE	FULL	DRAWING NUMBER	26400137		