








BRIEF INTRODUCTION

—TUNGSTEN CARBIDE PRODUCTS

CATALOGUE INDEX

-  GENERAL INFORMATION
-  PROPERTIES & APPLICATION
-  GRADES
-  PRODUCTS & DRAWINGS
-  PROUDCTION PROCESS



中钨在线（厦门）科技有限公司
ChinaTungsten Online (Xiamen) Manu. & Sales Corp.

GENERAL INFORMATION

TUNGSTEN CARBIDE ARE KNOWN AS THE “TEETH” TO INDUSTRY, AND HAS BEEN PLAYING A VERY IMPORTANT ROLE TO PROMOTE THE PROGRESS OF TECHNIQUE AND DEVELOPMENT OF INDUSTRIES.

DUE TO ITS EXCELLENT HARDNESS & WEAR-RESISTANCE, IT HAS BEEN PAID GREAT ATTENTION AND APPLIED TO PRODUCE ALL KINDS OF HIGH-QUALITY TOOLS FOR VARIOUS FIELDS, INCLUDING WEAR PARTS, CUTTING, MINING, SEALING, WIRE/ROD DRAWING TOOLS, ETC.

GENERAL INFORMATION

CURRENTLY, TWO KINDS OF TUNGSTEN CARBIDE MATERIAL ARE USED WIDELY

- ✚ WC POWDER WITH COBALT AS BINDER
- ✚ WC POWDER WITH NICKEL AS BINDER

 PROPERTIES

HIGH MELTING POINT, GOOD HARDNESS,
EXCELLENT RESISTANCE PERFORMANCE ON
COMPRESSION, ABRASION, CORROSION, IMPACT,
ETC.

 APPLICATIONS

WIDELY USED IN INDUSTRIES OF TEXTILE, STEEL,
PETROL, CHEMISTRY, MINING, MECHANICAL
ALLOYING, ELECTRONIC, SPACEFLIGHT,
AVIGATION, NUCLEAR, MEDICAL, AND SO ON.



中钨在线（厦门）科技有限公司
ChinaTungsten Online (Xiamen) Manu. & Sales Corp.

✚ APPLICATION TOOLS

MINGING TOOLS, FOR EXAMPLE, BUTTONS, BITS
METALLIC CUTTING TOOLS, FOR EXAMPLE, INSERT,
BLADE, ENDMILL

DRILLING RODS, FOR EXAMPLE, MICRO DRILL

DRAWING DIES FOR METAL WIRES AND RODS

SEALING RINGS, BUSHES, ROLLERS,

AND OTHER WEAR PARTS



中钨在线（厦门）科技有限公司
ChinaTungsten Online (Xiamen) Manu. & Sales Corp.

A FEW GRADES OF TUNGSTEN CARBIDE

中国牌号 Chinese Grade	ISO 牌 号 ISO Grade	WC %	Co %	TiC %	TaC %	其他 Others %	松装密度 Apparent density g/cm ³ (±0.1)	流动性 Flow rate Sec/50g	硬度 Hardness HRA ±0.5	密度 Density g/cm ³ ±0.1	抗拉强度 TRS MPa min
YG8X		90.5	8.0			1.5	3.00	24-30	93.2	14.60	3500
YG6X	K01	94.0	6.0	--	--		3.20	24-40	93.0	14.85	2700
YG10X	K20	90.0	10.0	--	--		3.10	24-30	92.0	14.45	3400
YG6	K20	94.0	6.0	--	--		3.40	21-26	91.0	14.95	2600
YG8	K30	92.0	8.0	--	--		3.40	21-26	90.0	14.70	2700
YG11	K40	89.0	11.0	--	--		3.30	21-27	88.5	14.45	2900
--	P20	72.0	8.0	8.0	12.0		--	--	92.2	12.55	1900
--	P30	75.8	8.0	6.2	10.0		--	--	91.5	12.90	2100
--	P40	80.0	10.0	5.0	5.0		--	--	90.5	13.10	2200

硬质合金牌号及特性 Grades and Characteristics

牌号 Grade	特性与应用 Characteristics and Applications
YG8X	超细晶粒，适用于加工玻璃钢，钛合金，高硬度淬火钢。 Ultra-fine grain, for fibreglass reinforced plastics, titanium alloys, hardened steel.
YG6X	亚微细晶粒，适用于有色金属加工及木工刀具。 Sub-micron grain, for non-ferrous precision cutting and wood cutting.
YG10X	亚微细晶粒，适用于各种铣刀及孔加工刀具。 Sub-micron grain, for endmill and drill.



牌号 Grade	特性与应用 Characteristics and Applications
YG6	中等晶粒，用于有色金属的粗加工。 Medium grain,for non-ferrous rough cutting. 中等晶粒，适用于耐磨损的地矿工具。 Medium grain,high anti-abrasion for mining inserts.
YG8	中等晶粒，适用于拉丝模，拉拔模。 Medium grain ,for drawing dies. 中等晶粒，适用于矿山、工程用中小规模冲击钻球齿。 Medium grain,high anti-abrasion and good toughness,for percussion bits. 中粗晶粒，适用于控路齿及地矿工具。 Coarse grain,for mining and construction inserts.
YG11	中等晶粒，适用于耐磨零件和矿山工具。 Medium grain,for wear parts and mining tools.



中钨在线 (厦门) 科技有限公司
ChinaTungsten Online (Xiamen) Manu. & Sales Corp.

PRODUCTS & DRAWINGS

1、Tungsten Carbide Drawing Dies / 硬质合金拉丝模

SINTERED BLANK,
USED FOR DRAWING
RODS\WIRES

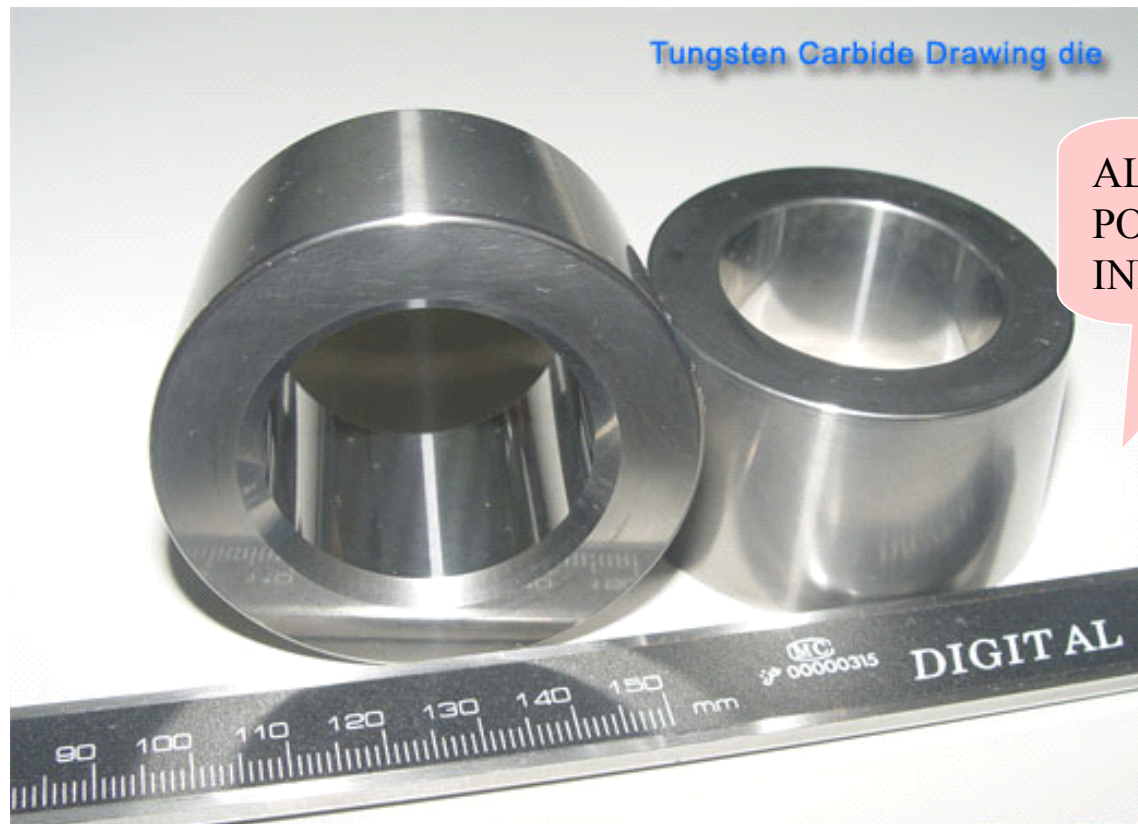




中钨在线 (厦门) 科技有限公司
ChinaTungsten Online (Xiamen) Manu. & Sales Corp.

PRODUCTS & DRAWINGS

1、Tungsten Carbide Drawing Dies / 硬质合金拉丝模



Tungsten Carbide Drawing die

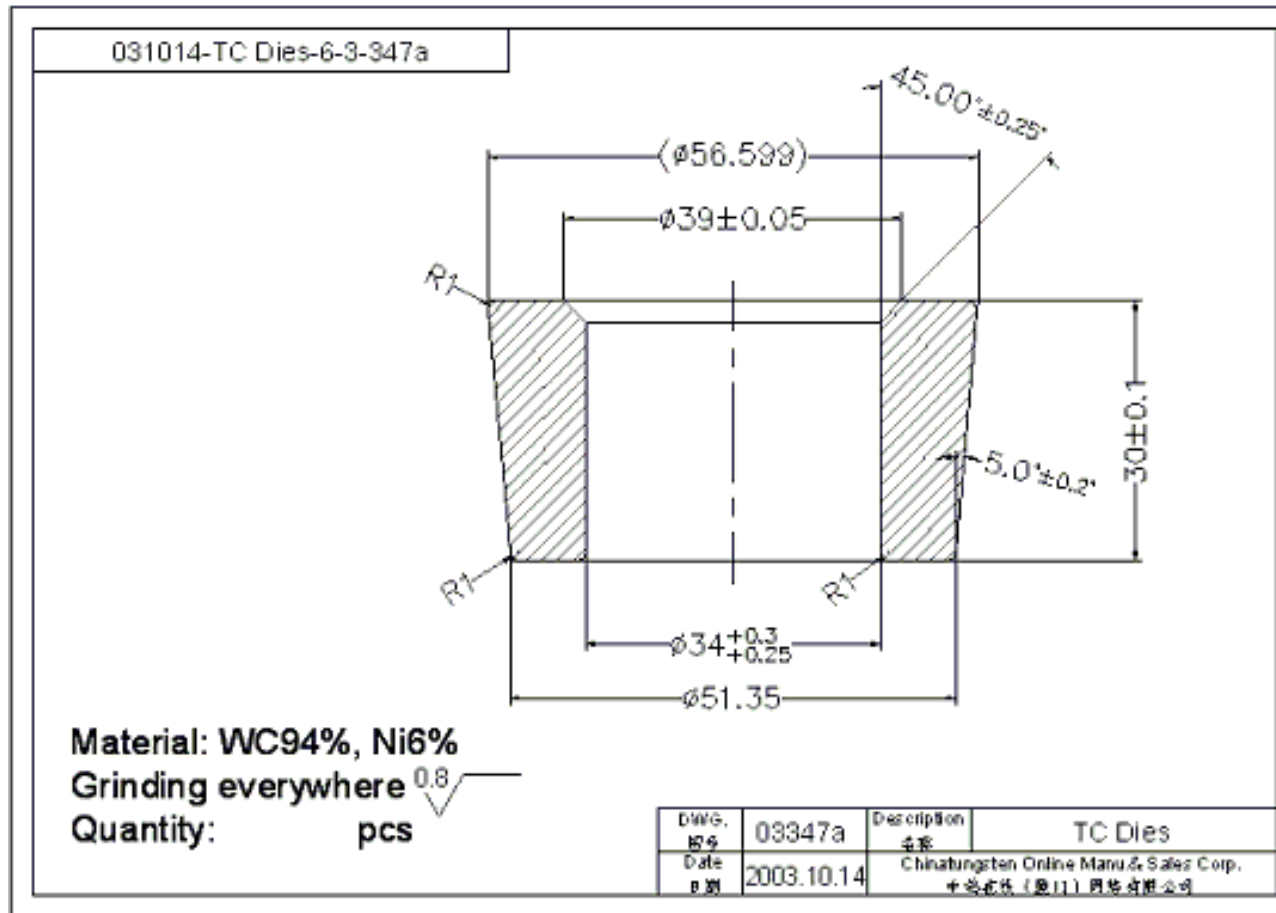
ALL SURFACE
POLISH FINISHED;
INNER LAPPED.



中钨在线（厦门）科技有限公司
China Tungsten Online (Xiamen) Manu. & Sales Corp.

PRODUCTS & DRAWINGS

1、 Tungsten Carbide Drawing Dies / 硬质合金拉丝模

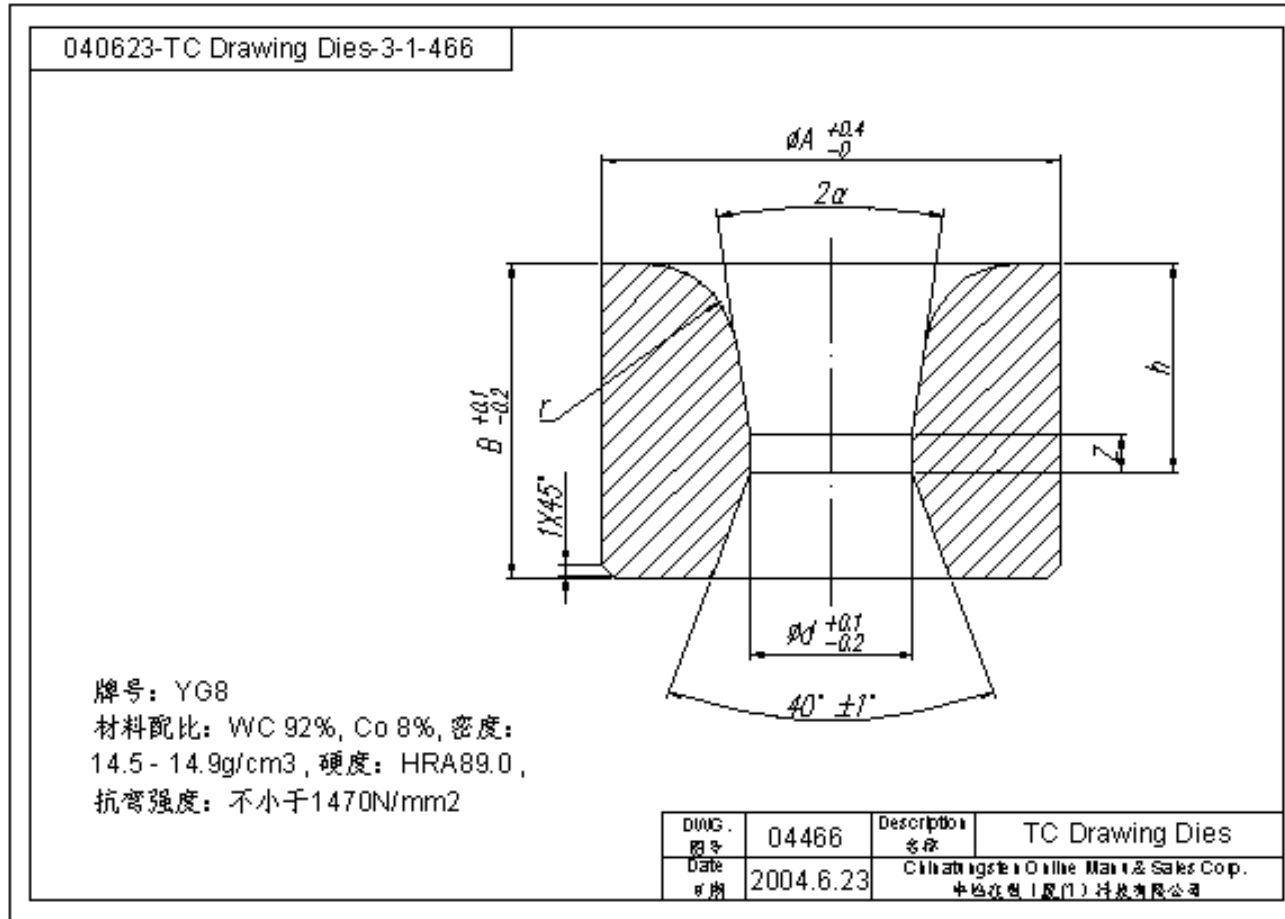




中钨在线 (厦门) 科技有限公司
ChinaTungsten Online (Xiamen) Manu. & Sales Corp.

PRODUCTS & DRAWINGS

1、 Tungsten Carbide Drawing Dies / 硬质合金拉丝模





中钨在线（厦门）科技有限公司
ChinaTungsten Online (Xiamen) Manu. & Sales Corp.

PRODUCTS & DRAWINGS

2、Tungsten Carbide Bar / Block / 硬质合金块

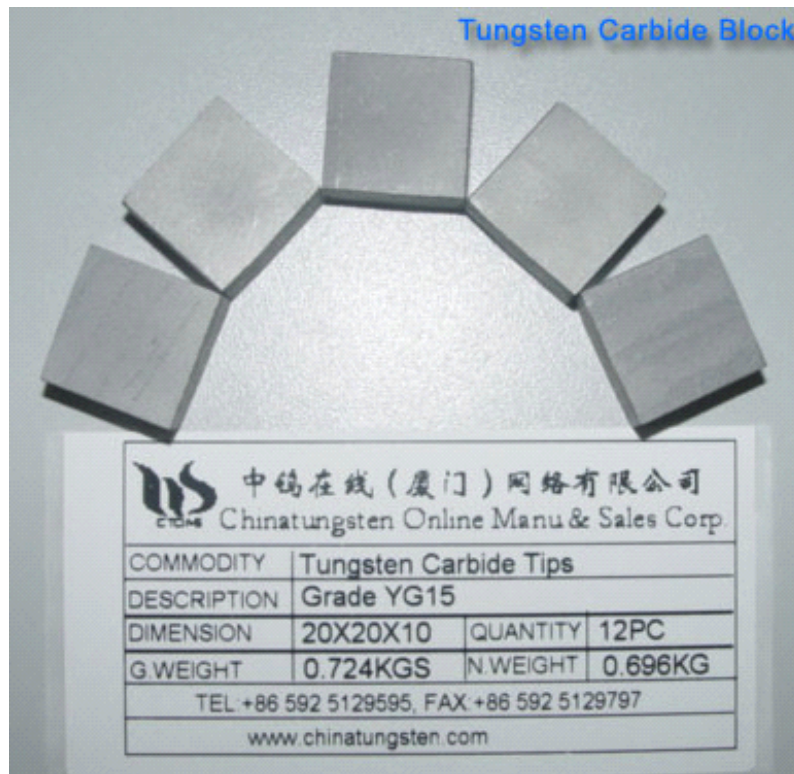




中钨在线 (厦门) 科技有限公司
ChinaTungsten Online (Xiamen) Manu. & Sales Corp.

PRODUCTS & DRAWINGS

2、 Tungsten Carbide Bar / Block / 硬质合金块



←TC BLOCK BLANK, FOR WOOD CUTTING TOOL

GRADE: YG15

YG15 CONTAINS HIGH CONTENT OF COBALT, TO ENHANCE THE BENDING STRENGTH (T. R. S.)

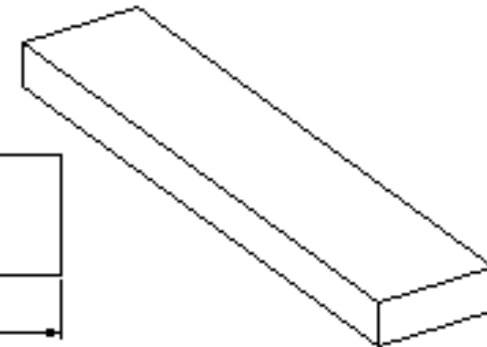
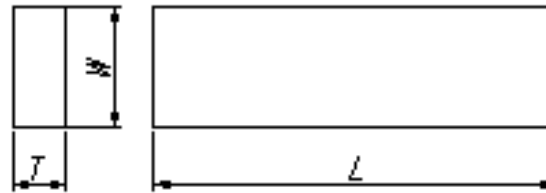
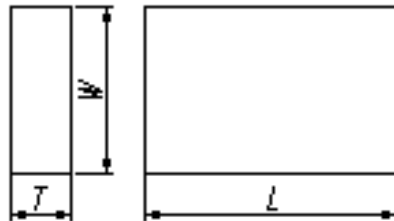
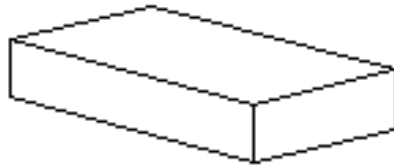


中钨在线（厦门）科技有限公司
ChinaTungsten Online (Xiamen) Manu. & Sales Corp.

PRODUCTS & DRAWINGS

2、 Tungsten Carbide Bar / Block / 硬质合金块

OFFERED WITH GRADE,
DIMENSIONS, TOLERANCES,
SURFACE FINISH, ETC. WE
CAN SUPPLY AS CLIENTS'
SPECIFIC REQUIREMENT.

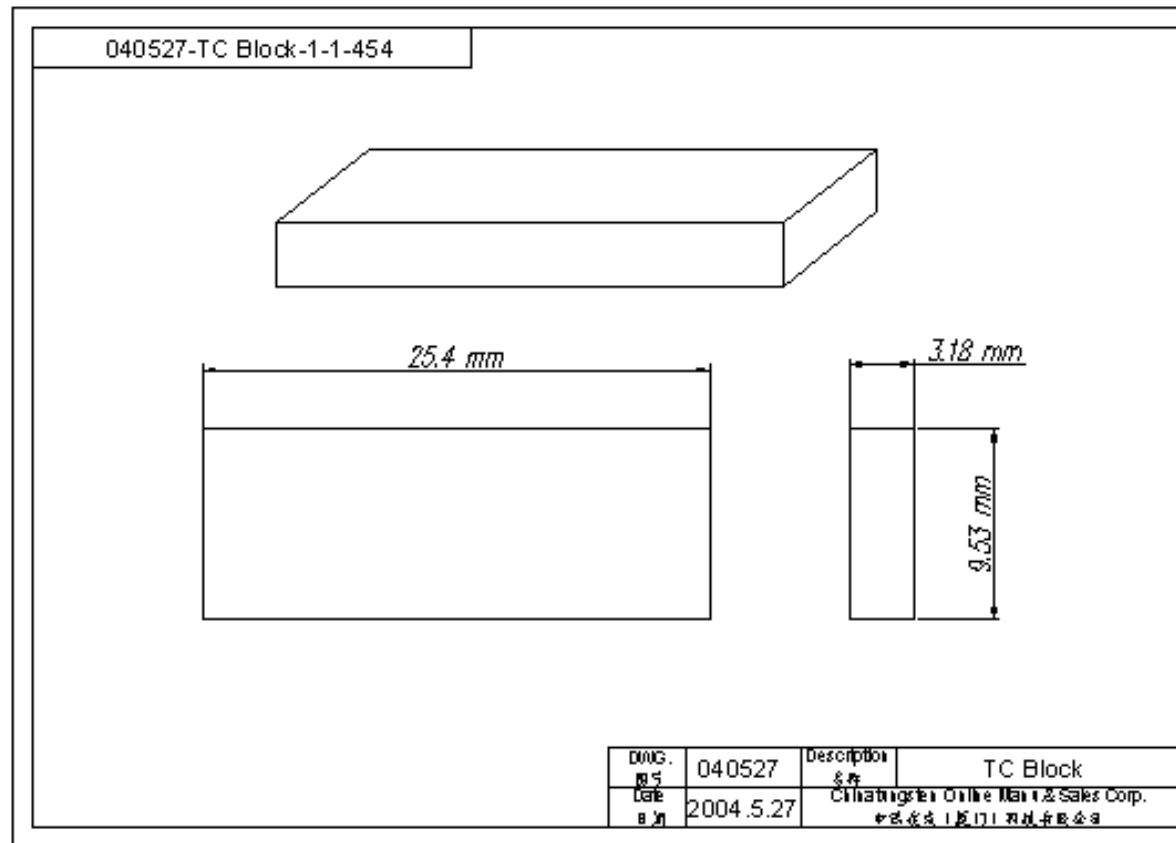




中钨在线 (厦门) 科技有限公司
ChinaTungsten Online (Xiamen) Manu. & Sales Corp.

PRODUCTS & DRAWINGS

2、Tungsten Carbide Bar / Block / 硬质合金块

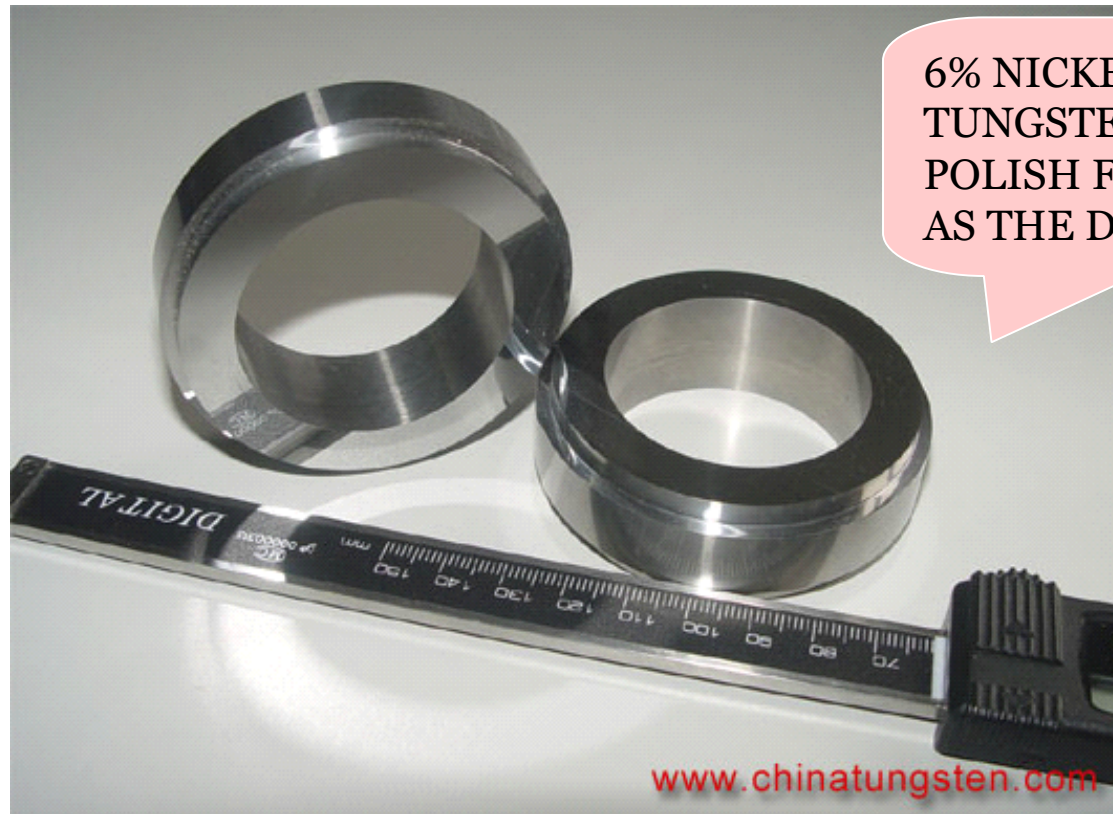




中钨在线 (厦门) 科技有限公司
ChinaTungsten Online (Xiamen) Manu. & Sales Corp.

PRODUCTS & DRAWINGS

3、 Tungsten Carbide Seals / 硬质合金密封件



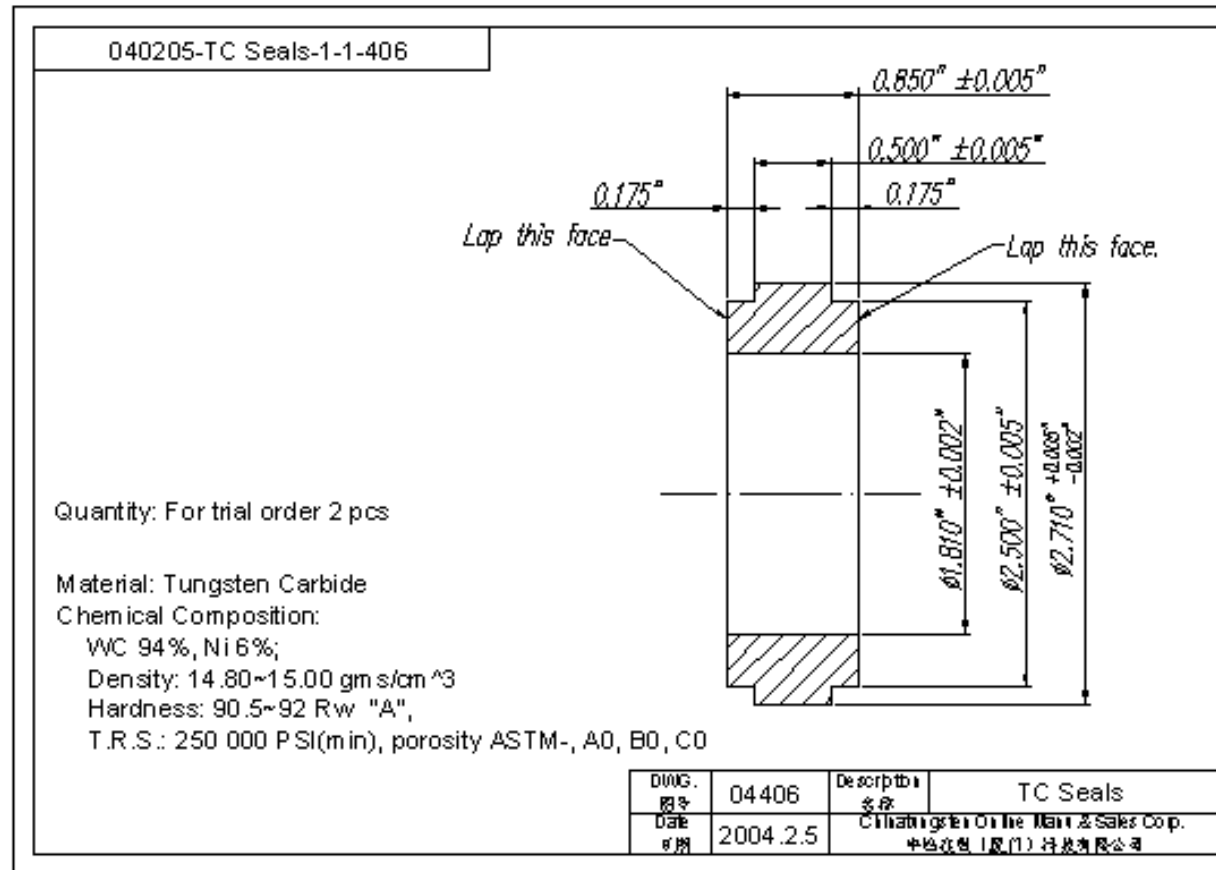
6% NICKEL-BASED
TUNGSTEN CARBIDE,
POLISH FINISHED SEALS
AS THE DRAWING

www.chinatungsten.com



PRODUCTS & DRAWINGS

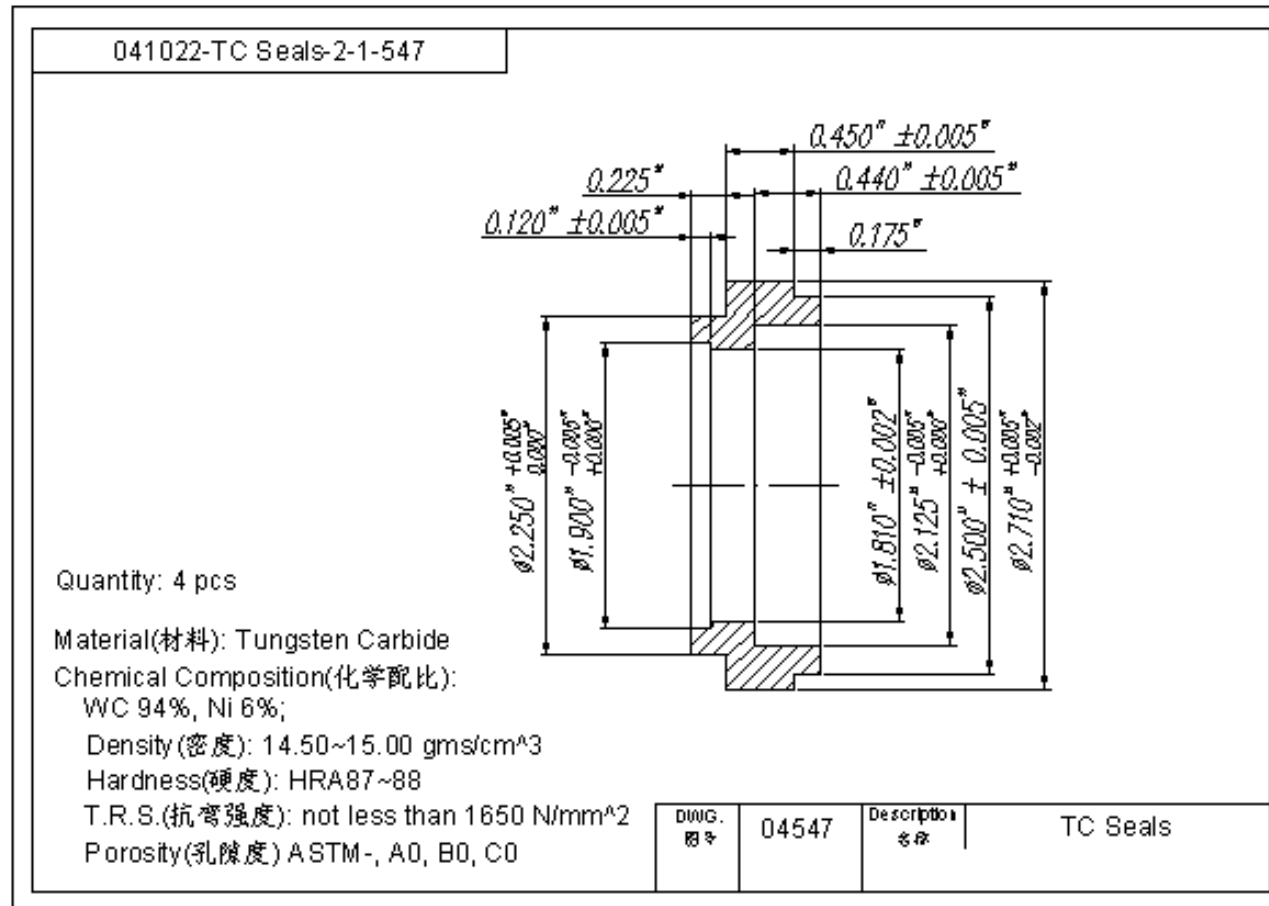
3、 Tungsten Carbide Seals/ 硬质合金密封件





PRODUCTS & DRAWINGS

3、Tungsten Carbide Seals/ 硬质合金密封件





中钨在线（厦门）科技有限公司
ChinaTungsten Online (Xiamen) Manu. & Sales Corp.

PRODUCTS & DRAWINGS

3、Tungsten Carbide Seals/ 硬质合金密封件



TUNGSTEN CARBIDE
SEAL RINGS, MADE
OF 8% NICKEL-BASED
TUNGSTEN CARBIDE,
THE SURFACE IS
SIMPLY GROUND AS
PER THE CLIENT'S
REQUIREMENT

PRODUCTS & DRAWINGS

3、Tungsten Carbide Seals / 硬质合金密封件

✚ TUNGSTEN CARBIDE NEW GRADE——TN85

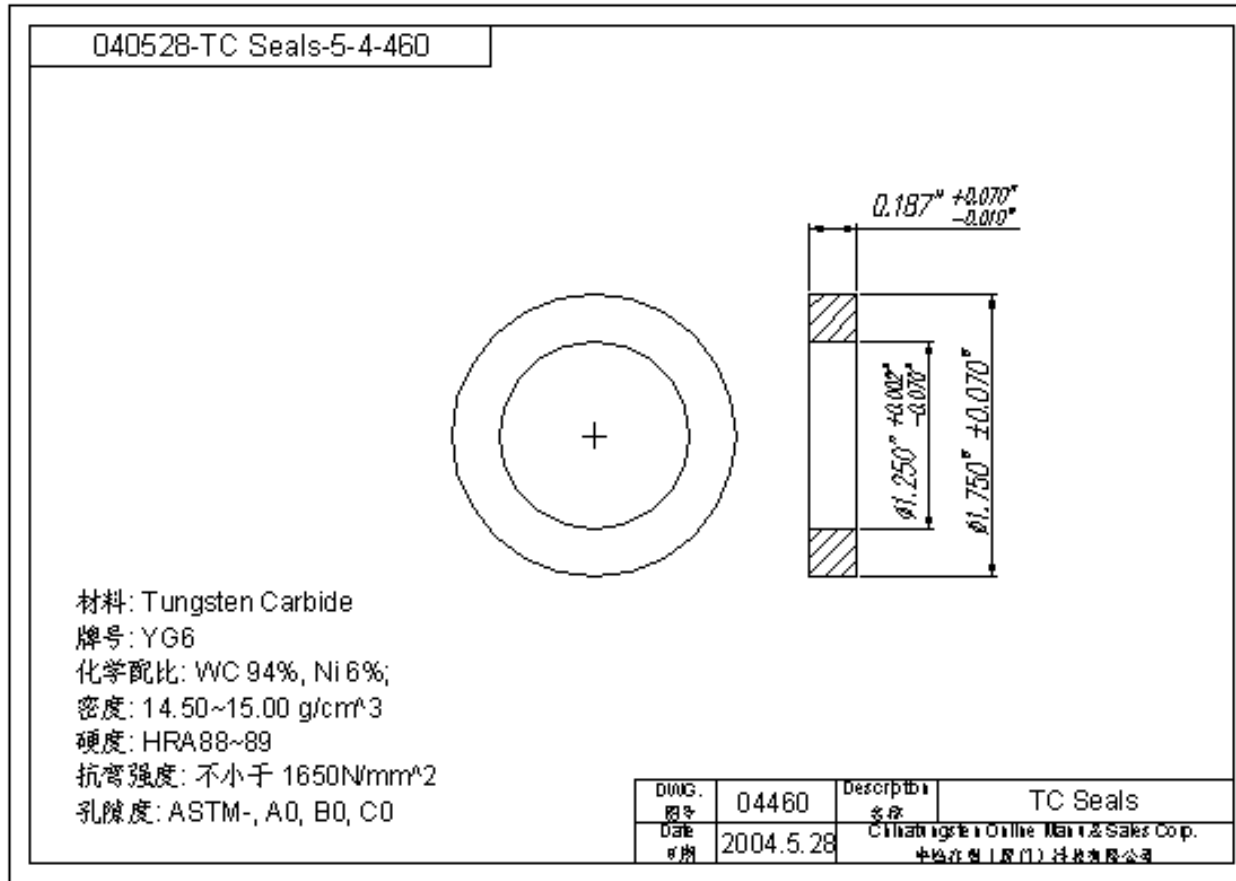
TN85 IS A NEW GRADE OF TUNGSTEN CARBIDE, WHICH IS EXCELLENT FOR THE VARIOUS APPLICATIONS IN WEAR-RESISTANCE, HIGH-TEMPERATURE OXIDATION RESISTANCE AND ANTI-CORROSIVE. IT ALSO ACTS QUITE WELL IN SELF-LUBRICATING & LOW FRICTION COEFFICIENT, THUS, IT IS WIDELY USED IN THE SEALING INDUSTRY.





PRODUCTS & DRAWINGS

3、Tungsten Carbide Seals / 硬质合金密封件

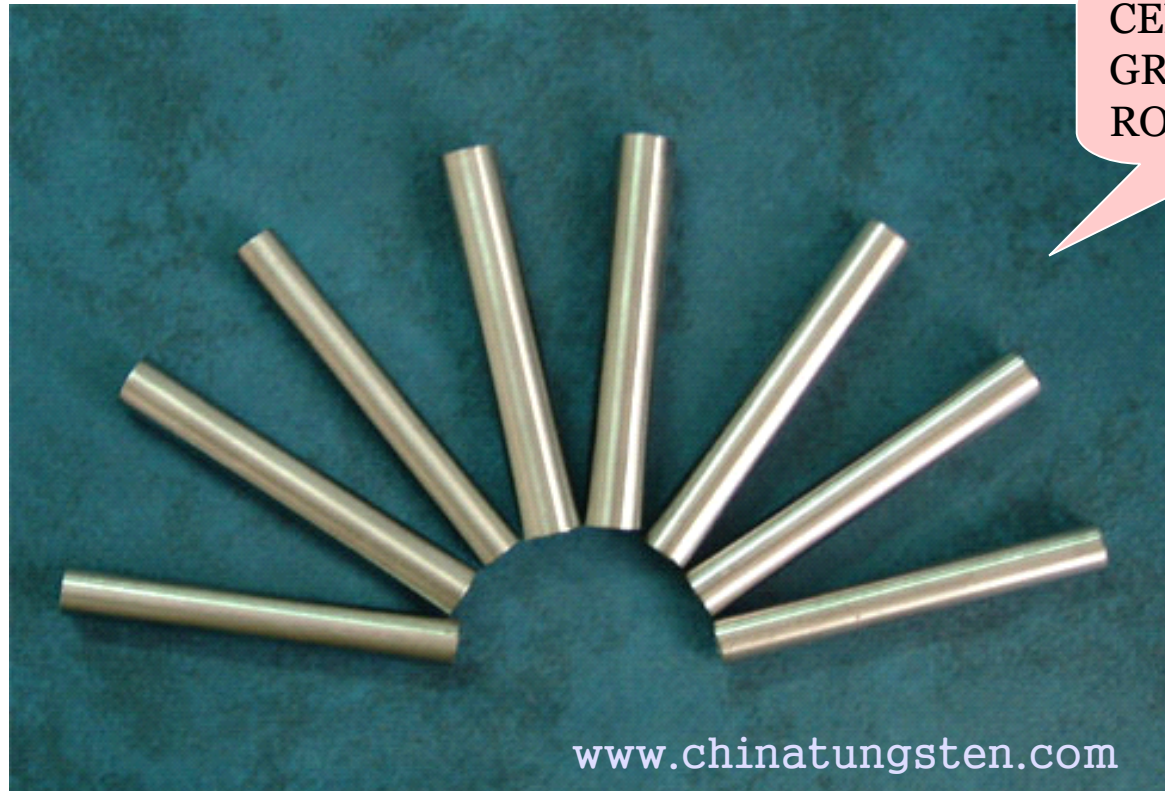




中钨在线（厦门）科技有限公司
ChinaTungsten Online (Xiamen) Manu. & Sales Corp.

PRODUCTS & DRAWINGS

4、 Tungsten Carbide Rod / 硬质合金棒



CENTERLESS
GROUNDING
RODS

www.chinatungsten.com



中钨在线 (厦门) 科技有限公司
ChinaTungsten Online (Xiamen) Manu. & Sales Corp.

PRODUCTS & DRAWINGS

4、 Tungsten Carbide Rod / 硬质合金棒



←TC RODS APPLYING TO MEDICAL
INSTRUMENT MANUFACTURING

THE SURFACE IS PROCESSED BY
CENTERLESS GRINDING

www.chinatungsten.com



中钨在线（厦门）科技有限公司
ChinaTungsten Online (Xiamen) Manu. & Sales Corp.

PRODUCTS & DRAWINGS

4、 Tungsten Carbide Rod / 硬质合金棒



POLISHED RODS,
WITH DIAMETER
TOL. H6.

Tungsten Carbide Bar Grade YG10X
www.chinatungsten.com



中钨在线 (厦门) 科技有限公司
ChinaTungsten Online (Xiamen) Manu. & Sales Corp.

PRODUCTS & DRAWINGS

4、 Tungsten Carbide Rod / 硬质合金棒



ALL SINTERED
BLANK EXCEPT FOR
OUTER SURFACE,
THE HOLE TO BE
MADE BY ELECTRIC
SPARK FORMING

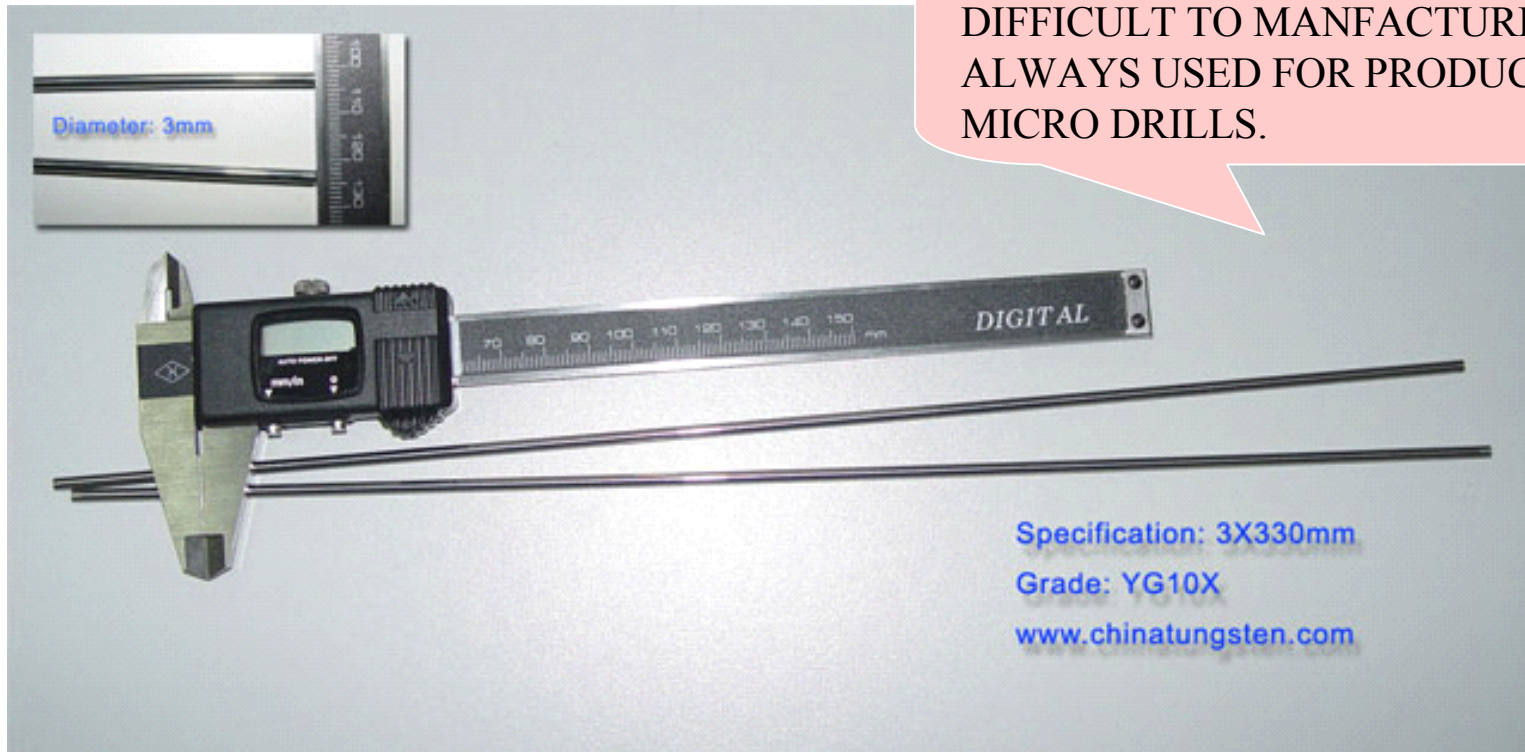


中钨在线 (厦门) 科技有限公司
China Tungsten Online (Xiamen) Manu. & Sales Corp.

PRODUCTS & DRAWINGS

4、Tungsten Carbide Rod / 硬质合金棒

SMALL DIAMETER RODS , MORE DIFFICULT TO MANUFACTURE, ALWAYS USED FOR PRODUCING MICRO DRILLS.

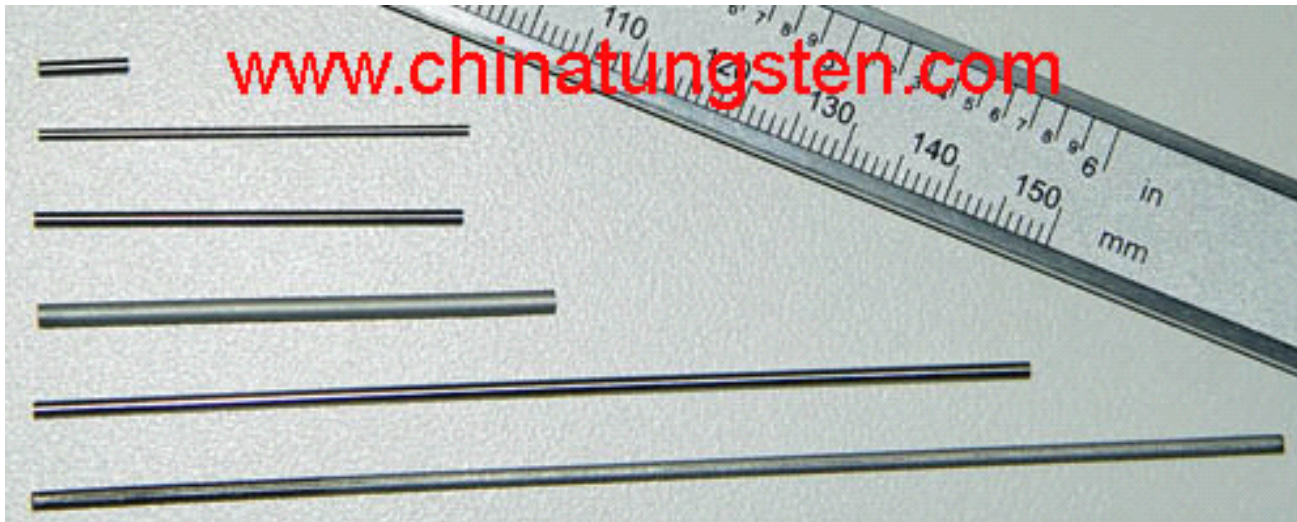




中钨在线（厦门）科技有限公司
ChinaTungsten Online (Xiamen) Manu. & Sales Corp.

PRODUCTS & DRAWINGS

4、 Tungsten Carbide Rod / 硬质合金棒



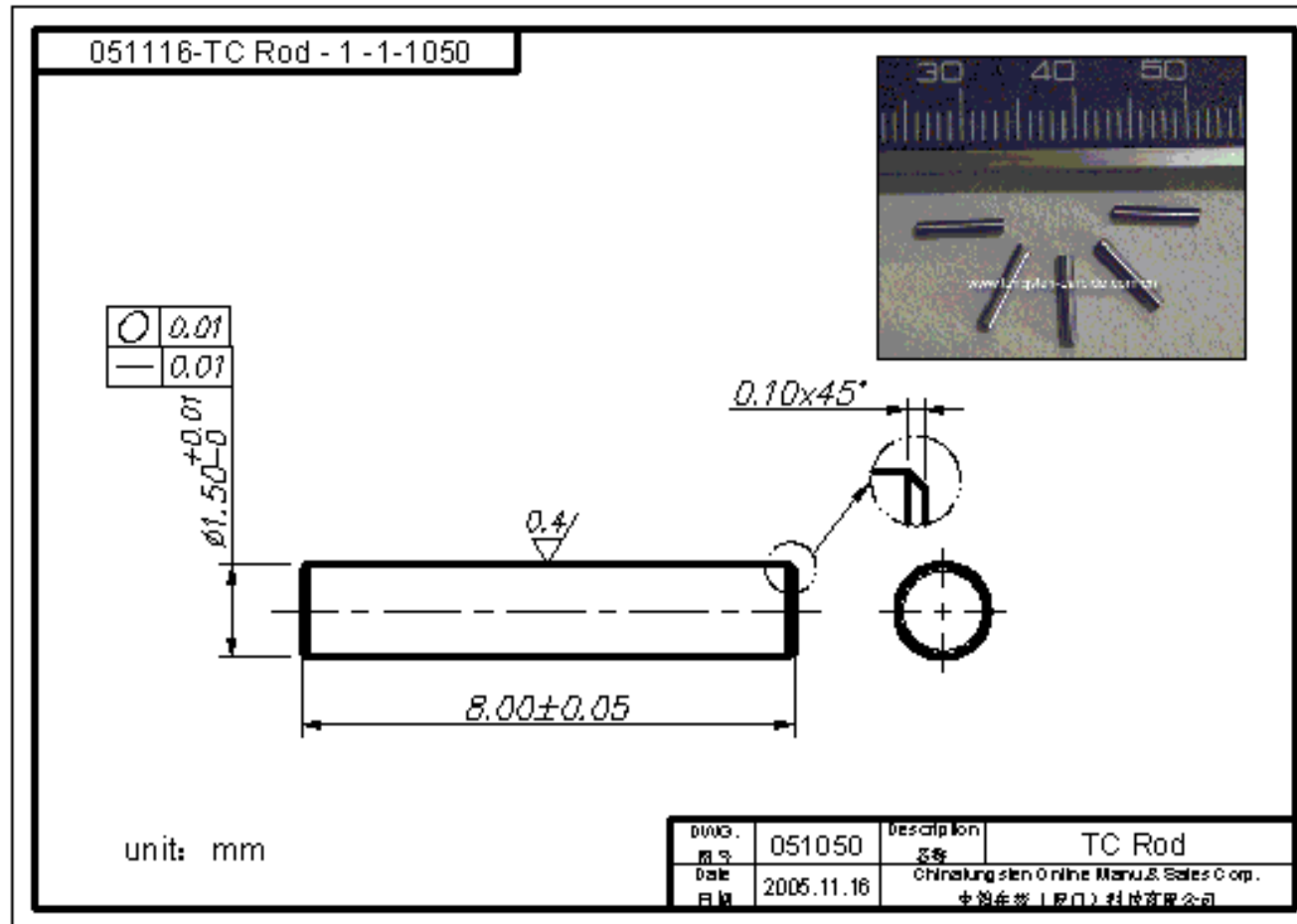
TUNGSTEN RODS OF SAML L DIMENSIONS,
FOR EXAMPLE, Dia1.5 × 8MM WITH SMALL CHAMFER



中钨在线 (厦门) 科技有限公司
ChinaTungsten Online (Xiamen) Manu. & Sales Corp.

PRODUCTS & DRAWINGS

4、 Tungsten Carbide Rod / 硬质合金棒





中钨在线（厦门）科技有限公司
ChinaTungsten Online (Xiamen) Manu. & Sales Corp.

PRODUCTS & DRAWINGS

4、 Tungsten Carbide Rod / 硬质合金棒

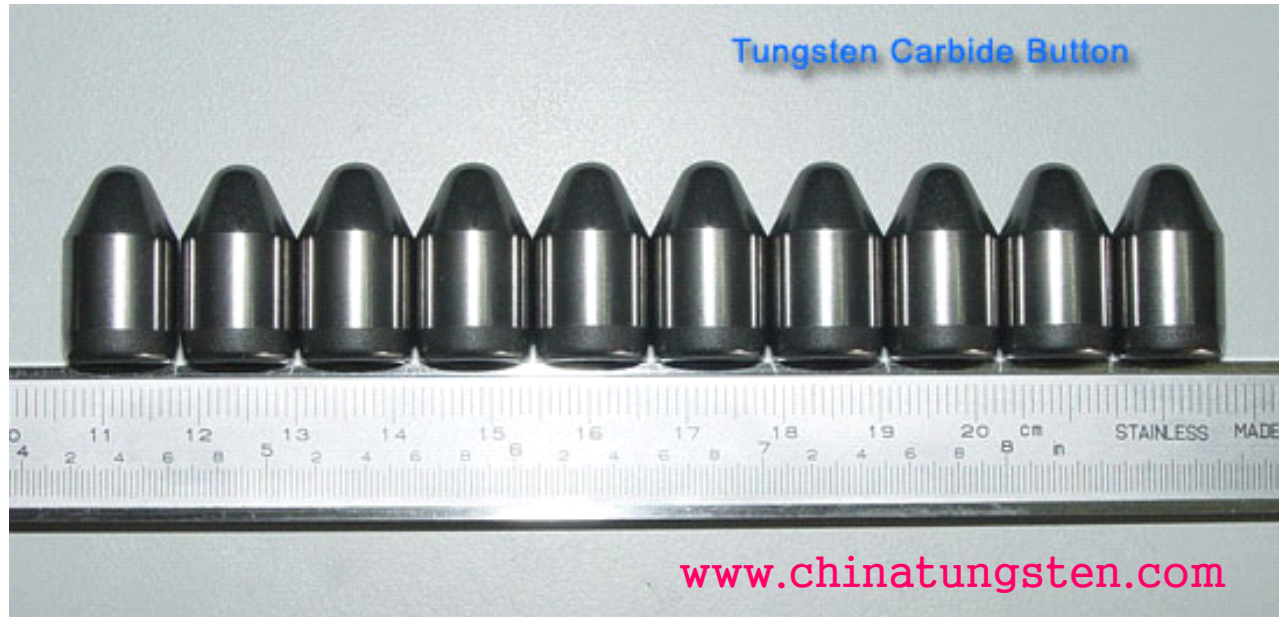
TUNGSTEN CARBIDE RODS ARE MOSTLY APPLIED FOR END MILL AND DRILL WITH SUB-MICRON GRAIN GRADE YG10X, FOR NON-FERROUS PRECISION CUTTING AND WOOD CUTTING WITH SUB-MICRON GRAIN GRADE YG6X, AND FOR FIBREGLASS REINFORCED PLASTICS, TITANIUM ALLOYS, HARDENED STEEL WITH ULTRA-FINE GRAIN GRADE YG8X, ECT.



中钨在线（厦门）科技有限公司
ChinaTungsten Online (Xiamen) Manu. & Sales Corp.

PRODUCTS & DRAWINGS

5、 Tungsten Carbide Button / 硬质合金球齿



TUNGSTEN CARBIDE BUTTONS FOR OIL INDUSTRY, OF GRADE YG6, GOOD ABRASION RESISTANCE AND TOUGHNESS. THE SURFACE IS GROUND FINISHED.



中钨在线 (厦门) 科技有限公司
ChinaTungsten Online (Xiamen) Manu. & Sales Corp.

PRODUCTS & DRAWINGS

5、 Tungsten Carbide Button / 硬质合金球齿



NON-STANDARD
BUTTONS CAN BE
CUSTOMISED

BOTH SINTERED
BLANK AND FINISHED
SURFACES ARE
ACCEPTABLE



中钨在线（厦门）科技有限公司
ChinaTungsten Online (Xiamen) Manu. & Sales Corp.

PRODUCTS & DRAWINGS

5、 Tungsten Carbide Button / 硬质合金球齿



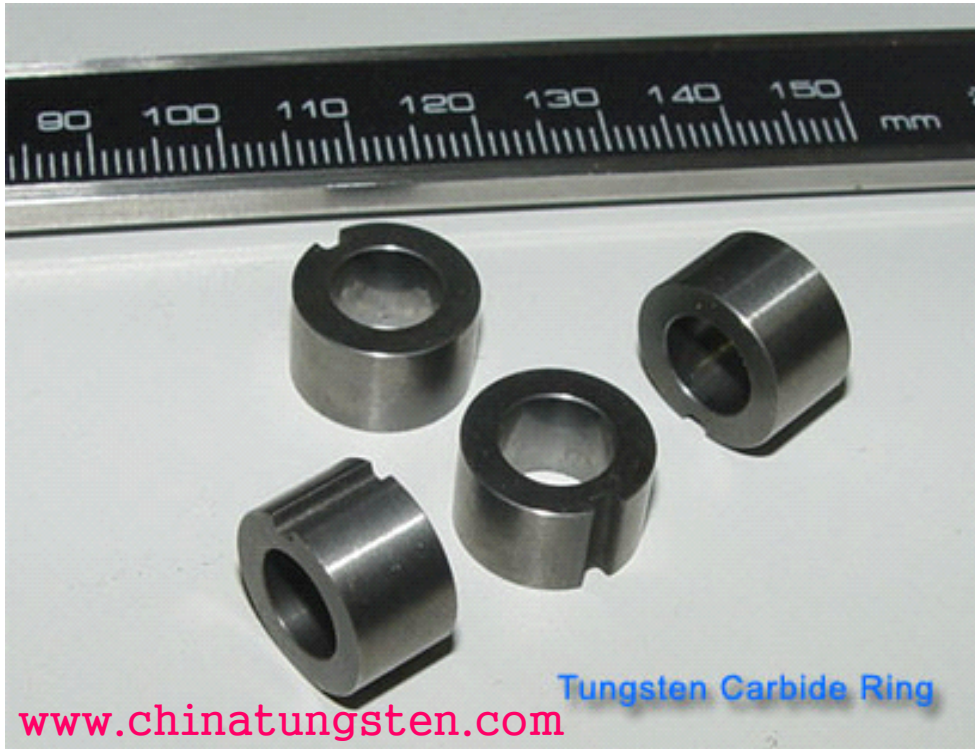
SINTERED BLANK BUTTONS



中钨在线（厦门）科技有限公司
ChinaTungsten Online (Xiamen) Manu. & Sales Corp.

PRODUCTS & DRAWINGS

6、 Tungsten Carbide Ring / 硬质合金环



WE SUPPLY MANY
NON-STANDARD PARTS
TO CLIENTS' SPECIFIC
REQUIREMENT



中钨在线（厦门）科技有限公司
China Tungsten Online (Xiamen) Manu. & Sales Corp.

PRODUCTS & DRAWINGS

6、 Tungsten Carbide Ring / 硬质合金环

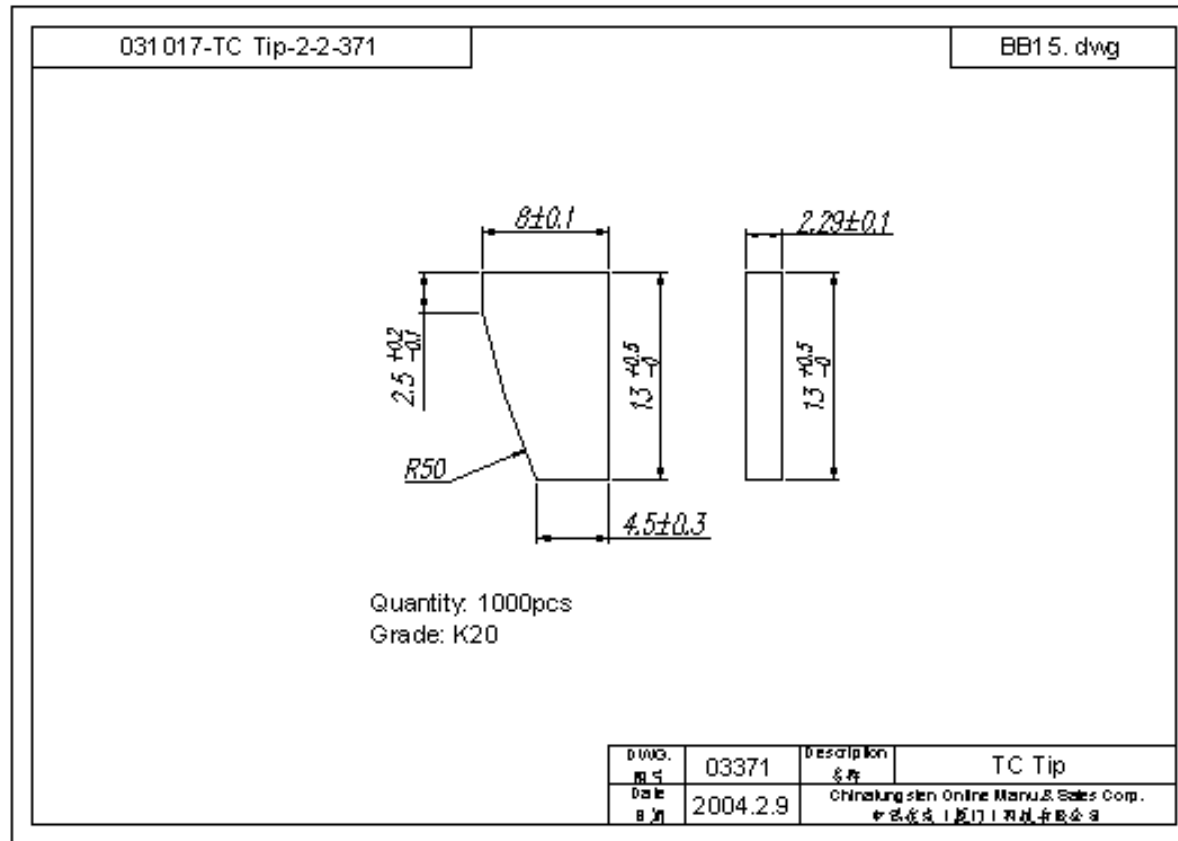


TUNGSTEN CARBIDE
RINGS, MADE OF 8%
NICKEL-BASED
TUNGSETN CARBIDE



PRODUCTS & DRAWINGS

7、 Tungsten Carbide Insert / 硬质合金刀片





中钨在线（厦门）科技有限公司
ChinaTungsten Online (Xiamen) Manu. & Sales Corp.

PRODUCTS & DRAWINGS

8、 Tungsten Carbide Cutter / 硬质合金圆片刀



TUNGSTEN CARBIDE CUTTER, USED AS WOOD CUTTING OR
PAPER CUTTING TOOLS

PRODUCTS & DRAWINGS

9、 Tungsten Carbide Ball / 硬质合金球

TUNGSTEN CARBIDE
BALL, USED AS
BEARING, GAUGING
AND BALL PENS
AND SO ON

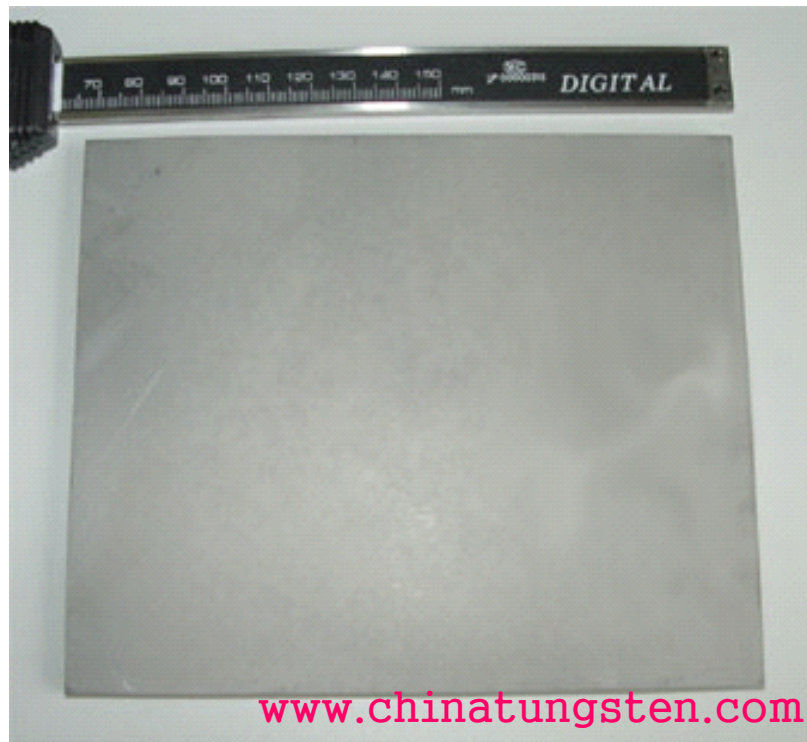




中钨在线 (厦门) 科技有限公司
ChinaTungsten Online (Xiamen) Manu. & Sales Corp.

PRODUCTS & DRAWINGS

10、 Tungsten Carbide Plate / 硬质合金板



TUNGSTEN CARBIDE
PLATE, USED AS WOOD
CUTTING OR PAPER
CUTTING TOOLS

ALWAYS APPLIED
INTERNATIONAL GRADE
K30, EQUIVALENT TO
CHINESE GRADE YG8.



中钨在线 (厦门) 科技有限公司
ChinaTungsten Online (Xiamen) Manu. & Sales Corp.

PRODUCTS & DRAWINGS

10、 Tungsten Carbide Plate / 硬质合金板

