

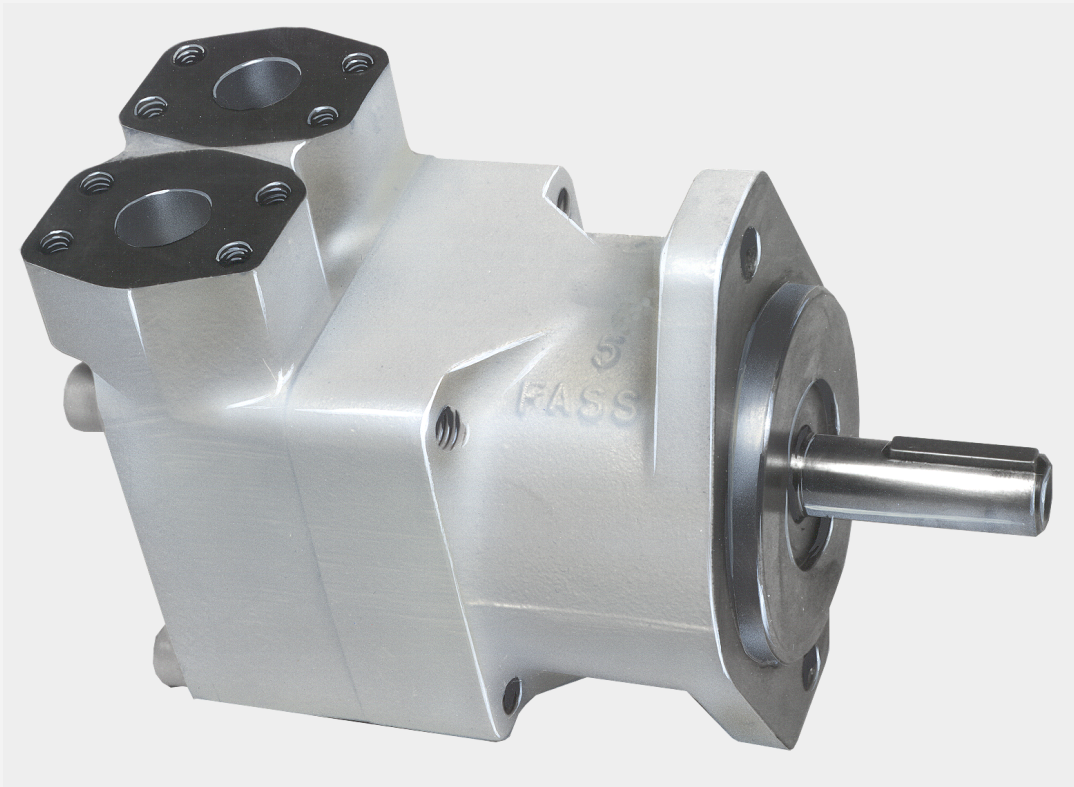
# DENISON HYDRAULICS M4C - M4SC - M4C1 - M4SC1

vane-type motor / Flügelzellen Motor

moteur à palettes / motore a palette

motore de paletas

## service information



Publ. S2 - ML1501 - B

06 / 2000 / 2000 / FB

Replace : S2 - ML1501 - A

L25 - 21501 - 2

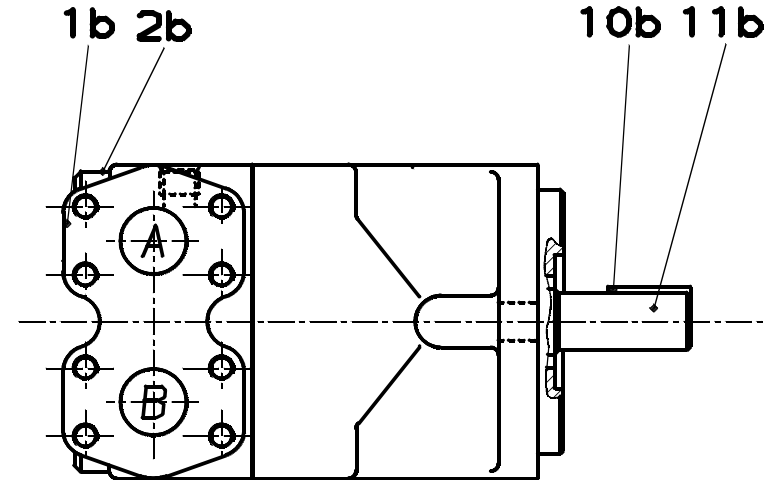
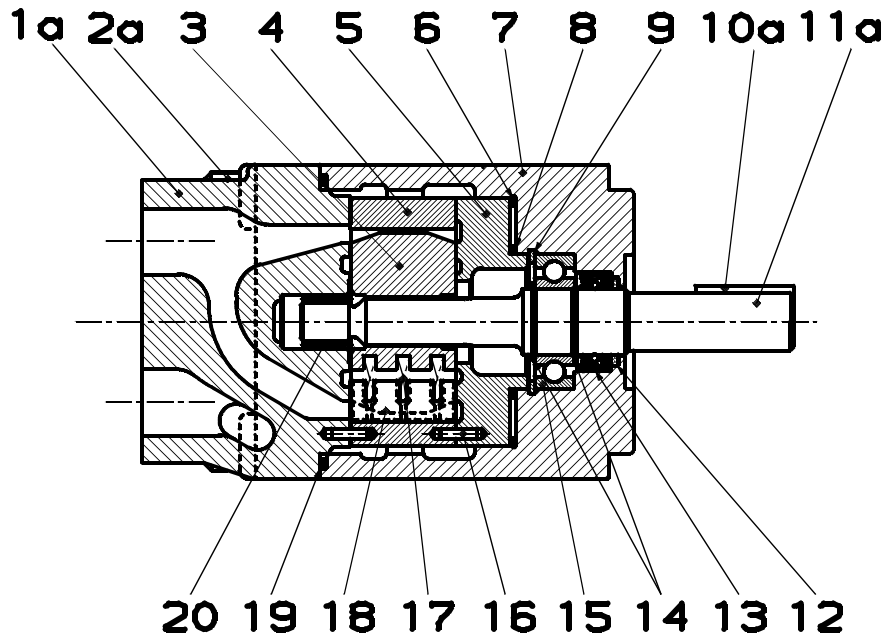
**DENISON** | **Hydraulics**

Recommended repair kits and assy's are bolt printed  
 Empfohlene Austausch - Baugruppen sind fett gedruckt  
 Les pochettes de rechange recommandées sont imprimées en caractères gras  
 I kit di ricambio consigliati sono indicati in grassetto  
 Los juegos de reparacion recomendados y los conjuntos, estan en negrita

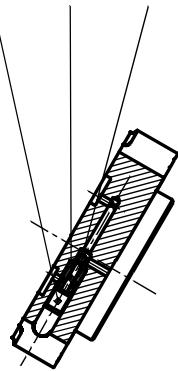
	Item - Pos. - Ref. - Pos.		
	2a	2b	23
Mounting torque			
Anziehdrehmoment	102 Nm	110 Nm	11,5 to 12,6 Nm
Couple de serrage			
Coppia di serraggio			
Par de apriete			

# M4C - M4C1

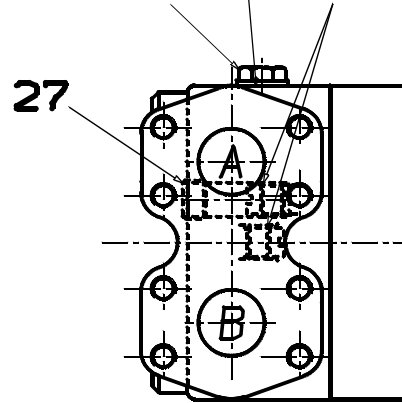
# M4SC - M4SC1



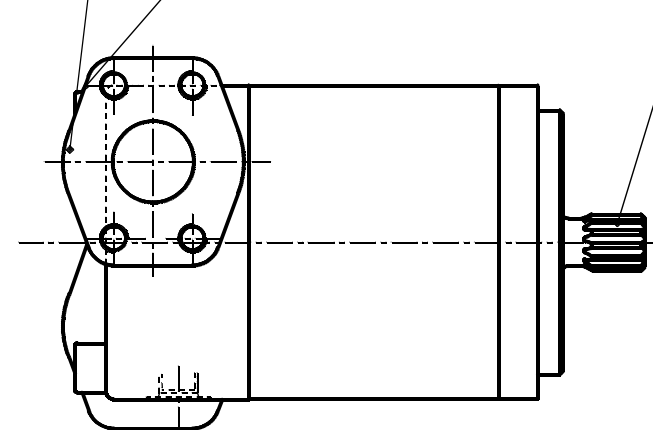
23 22 21



24 25 26



1c 2b



Item Pos. Ref. Pos. Pos.	Description Descrizione	Benennung Descripción	Description		Part N° Teil Nr. Code N° Cod. N° Referencia M4C - M4C1	Part N° Teil Nr. Code N° Cod. N° Referencia M4SC - M4SC1	Qty Stück Qté Q.tà Cant.
1a	End cap rear ported <i>Coperchio bocche posteriori</i>	Deckel axiale Anschlüsse <i>Bocas en tapa trasera</i>	Chapeau orifices arrière				
	4-bolts UNC (SAE drain) (M4C - M4SC) <i>UNC 4 fori (drenaggio SAE) (M4C - M4SC)</i>	UNC Flansch (SAE Leckölanschluß) (M4C - M4SC) <i>UNC 4 agujeros (drenaje SAE) (M4C - M4SC)</i>	4 trous UNC (drain SAE) (M4C - M4SC)	G	034.49804	034.49804	1
	SAE thd. port (SAE drain) (M4C - M4SC) <i>Filettature SAE (drenaggio SAE) (M4C - M4SC)</i>	SAE Gewinde (SAE Leckölanschluß) (M4C - M4SC) <i>Rosca SAE (drenaje SAE) (M4C - M4SC)</i>	Orifice taraudé SAE (drain SAE) (M4C - M4SC)	H	034.49806	034.49806	1
	4-bolts UNC (BSPP drain) (M4C - M4SC) <i>UNC 4 fori (drenaggio BSP) (M4C - M4SC)</i>	UNC Flansch (R Leckölanschluß) (M4C - M4SC) <i>UNC 4 agujeros (drenaje BSP) (M4C - M4SC)</i>	4 trous UNC (drain BSPP) (M4C - M4SC)	J	034.32062	034.32062	1
	4-bolts Metric (BSPP drain) (M4C - M4SC) <i>Metrica 4 fori (drenaggio BSP) (M4C - M4SC)</i>	Metrisch Flansch (R Leckölanschluß) (M4C - M4SC) <i>Metrico 4 agujeros (drenaje BSP) (M4C - M4SC)</i>	4 trous métriques (drain BSPP) (M4C - M4SC)	K	034.37147	034.37147	1
	4-bolts UNC (SAE drain) (M4C1 - M4SC1) <i>UNC 4 fori (drenaggio SAE) (M4C1 - M4SC1)</i>	UNC Flansch (SAE Leckölanschluß) (M4C1 - M4SC1) <i>UNC 4 agujeros (drenaje SAE) (M4C1 - M4SC1)</i>	4 trous UNC (drain SAE) (M4C1 - M4SC1)	L	034.49805	034.49805	1
	SAE thd. port (SAE drain) (M4C1 - M4SC1) <i>Filettature SAE (drenaggio SAE) (M4C1 - M4SC1)</i>	SAE Gewinde (SAE Leckölanschluß) (M4C1 - M4SC1) <i>Rosca SAE (drenaje SAE) (M4C1 - M4SC1)</i>	Orifice taraudé SAE (drain SAE) (M4C1 - M4SC1)	M	034.49807	034.49807	1
	4-bolts UNC (BSPP drain) (M4C1 - M4SC1) <i>UNC 4 fori (drenaggio BSP) (M4C1 - M4SC1)</i>	UNC Flansch (R Leckölanschluß) (M4C1 - M4SC1) <i>UNC 4 agujeros (drenaje BSP) (M4C1 - M4SC1)</i>	4 trous UNC (drain BSPP) (M4C1 - M4SC1)	N	034.66211	034.66211	1
4-bolts Metric (BSPP drain) (M4C1 - M4SC1) <i>Metrica 4 fori (drenaggio BSP) (M4C1 - M4SC1)</i>	Metrisch Flansch (R Leckölanschluß) (M4C1 - M4SC1) <i>Metrico 4 agujeros (drenaje BSP) (M4C1 - M4SC1)</i>	4 trous métriques (drain BSPP) (M4C1 - M4SC1)	P	034.66990	034.66990	1	
1b	End cap side ported <i>Coperchio bocche laterali</i>	Deckel seitliche Anschlüsse <i>Bocas en tapa laterales</i>	Chapeau orifices de côté				
	4-bolts UNC (SAE drain) (M4C - M4SC) <i>UNC 4 fori (drenaggio SAE) (M4C - M4SC)</i>	UNC Flansch (SAE Leckölanschluß) (M4C - M4SC) <i>UNC 4 agujeros (drenaje SAE) (M4C - M4SC)</i>	4 trous UNC (drain SAE) (M4C - M4SC)	Q	034.71150	034.71150	1
	SAE thd. port (SAE drain) (M4C - M4SC) <i>Filettature SAE (drenaggio SAE) (M4C - M4SC)</i>	SAE Gewinde (SAE Leckölanschluß) (M4C - M4SC) <i>Rosca SAE (drenaje SAE) (M4C - M4SC)</i>	Orifice taraudé SAE (drain SAE) (M4C - M4SC)	R	034.71151	034.71151	1
	4-bolts UNC (BSPP drain) (M4C - M4SC) <i>UNC 4 fori (drenaggio BSP) (M4C - M4SC)</i>	UNC Flansch (R Leckölanschluß) (M4C - M4SC) <i>UNC 4 agujeros (drenaje BSP) (M4C - M4SC)</i>	4 trous UNC (drain BSPP) (M4C - M4SC)	S	034.66072	034.66072	1
	4-bolts Metric (BSPP drain) (M4C - M4SC) <i>Metrica 4 fori (drenaggio BSP) (M4C - M4SC)</i>	Metrisch Flansch (R Leckölanschluß) (M4C - M4SC) <i>Metrico 4 agujeros (drenaje BSP) (M4C - M4SC)</i>	4 trous métriques (drain BSPP) (M4C - M4SC)	T	034.66600	034.66600	1
	4-bolts UNC (SAE drain) (M4C1 - M4SC1) <i>UNC 4 fori (drenaggio SAE) (M4C1 - M4SC1)</i>	UNC Flansch (SAE Leckölanschluß) (M4C1 - M4SC1) <i>UNC 4 agujeros (drenaje SAE) (M4C1 - M4SC1)</i>	4 trous UNC (drain SAE) (M4C1 - M4SC1)	U	034.71152	034.71152	1
	SAE thd. port (SAE drain) (M4C1 - M4SC1) <i>Filettature SAE (drenaggio SAE) (M4C1 - M4SC1)</i>	SAE Gewinde (SAE Leckölanschluß) (M4C1 - M4SC1) <i>Rosca SAE (drenaje SAE) (M4C1 - M4SC1)</i>	Orifice taraudé SAE (drain SAE) (M4C1 - M4SC1)	V	034.71153	034.71153	1
	4-bolts UNC (BSPP drain) (M4C1 - M4SC1) <i>UNC 4 fori (drenaggio BSP) (M4C1 - M4SC1)</i>	UNC Flansch (R Leckölanschluß) (M4C1 - M4SC1) <i>UNC 4 agujeros (drenaje BSP) (M4C1 - M4SC1)</i>	4 trous UNC (drain BSPP) (M4C1 - M4SC1)	W	034.66274	034.66274	1
4-bolts Metric (BSPP drain) (M4C1 - M4SC1) <i>Metrica 4 fori (drenaggio BSP) (M4C1 - M4SC1)</i>	Metrisch Flansch (R Leckölanschluß) (M4C1 - M4SC1) <i>Metrico 4 agujeros (drenaje BSP) (M4C1 - M4SC1)</i>	4 trous métriques (drain BSPP) (M4C1 - M4SC1)	X	034.67086	034.67086	1	
1c	End cap opposite ported (4-bolts UNC) (SAE drain) (M4C - M4SC) <i>Bocche sul lato opposto del coperchio UNC 4 fori (drenaggio SAE) (M4C - M4SC)</i>	Deckel gegenüberliegende Anschlüsse UNC Flansch (SAE Leckölanschluß) (M4C - M4SC) <i>Bocas en tapa opuesta UNC 4 agujeros (drenaje SAE) (M4C - M4SC)</i>	Chapeau orifices opposés 4 trous UNC (drain SAE) (M4C - M4SC)	Y	034.71509	034.71509	1
2a	Screw (rear ported) <i>Vite (bocche posteriori)</i>	Schraube (axiale Anschlüsse) <i>Tornillo (bocas trasera)</i>	Vis (orifices arrière)		358.20240	358.20240	4
2b	Screw (side ported) <i>Vite (bocche laterali)</i>	Schraube (seitliche Anschlüsse) <i>Tornillo (bocas laterales)</i>	Vis (orifices de côté)		358.20330	358.20330	4

Item Pos. Ref. Pos.	Description <i>Descrizione</i>	Benennung <i>Descripcion</i>	Description		Part N° Teil Nr. Code N° Cod. N° Referencia M4C - M4C1	Part N° Teil Nr. Code N° Cod. N° Referencia M4SC - M4SC1	Qty Stück Qté Qtá Cant.
3	Rotor <i>Rotore</i>	Rotor <i>Rotore</i>	Rotor		034.49976	034.49976	1
4	Cam ring 024 <i>Anello camma 024</i>	Hubring 024 <i>Aro volumetrico 024</i>	Came 024	A	034.71871	034.71884	1
	Cam ring 027 <i>Anello camma 027</i>	Hubring 027 <i>Aro volumetrico 027</i>	Came 027	A	034.67134	034.66791	1
	Cam ring 031 <i>Anello camma 031</i>	Hubring 031 <i>Aro volumetrico 031</i>	Came 031	A	034.48641	034.49857	1
	Cam ring 043 <i>Anello camma 043</i>	Hubring 043 <i>Aro volumetrico 043</i>	Came 043	A	034.48642	034.49856	1
	Cam ring 055 <i>Anello camma 055</i>	Hubring 055 <i>Aro volumetrico 055</i>	Came 055	A	034.48643	034.49855	1
	Cam ring 067 <i>Anello camma 067</i>	Hubring 067 <i>Aro volumetrico 067</i>	Came 067	A	034.46809	034.49854	1
	Cam ring 075 <i>Anello camma 075</i>	Hubring 075 <i>Aro volumetrico 075</i>	Came 075	A	034.71126	034.59834	1
5	Port plate pressure <i>Piatto distributore anter.</i>	Steuerplatte <i>Plato de presion</i>	Plaque pression	F	034.53342	034.53342	1
6	Sq. section seal <i>Guarnizione</i>	Dichtring <i>Junta seccion cuadrada</i>	Joint section carrée	E	691.10238	695.20238	1
7	Housing <i>Corpo</i>	Gehäuse <i>Cuerpo</i>	Carter		034.49802	034.49802	1
8	Sq. section seal <i>Guarnizione</i>	Dichtring <i>Junta seccion cuadrada</i>	Joint section carrée	E	691.10226	695.20226	1
9	Retaining ring <i>Anello elastico</i>	Sicherungsring <i>Aro retencion</i>	Circlips		356.30206	356.30206	1
10a	Key (code 1) <i>Chiavetta (codice 1)</i>	Paßfeder (Typ 1) <i>Chaveta (codigo 1)</i>	Clavette (code 1)	B	034.48690	034.48690	1
10b	Key (code 2) <i>Chiavetta (codice 2)</i>	Paßfeder (Typ 2) <i>Chaveta (codigo 2)</i>	Clavette (code 2)	C	034.49622	034.49622	1
11a	Shaft (keyed) (code 1) <i>Albero a chiavetta (codice 1)</i>	Paßfederwelle (Typ 1) <i>Eje chaveteado (codigo 1)</i>	Arbre à clavette (code 1)	B	034.71074	034.71074	1
11b	Shaft (keyed) (code 2) <i>Albero a chiavetta (codice 2)</i>	Paßfederwelle (Typ 2) <i>Eje chaveteado (codigo 2)</i>	Arbre à clavette (code 2)	C	034.71144	034.71144	1
11c	Shaft (splined) (code 3) <i>Albero scanalato (codice 3)</i>	Vielkeilwelle (Typ 3) <i>Eje estriado (codigo 3)</i>	Arbre à cannelures (code 3)	D	034.71809	034.71809	1
12	Felt wiper <i>Feltro pulitore</i>	Filzring <i>Felpa</i>	Joint feutre		034.49975	034.49975	1
13	Shaft seal <i>Paraolio</i>	Simmerring <i>Retén eje</i>	Joint d'arbre	E	637.00004	637.00004	1
14	Round section ring <i>Anello elastico</i>	Sicherungsring <i>Anillo tórico</i>	Anneau	BCD	034.70777	034.70777	2
15	Ball bearing <i>Cuscinetto a sfera</i>	Kugellager <i>Cojinete de bolas</i>	Roulement à billes	BCD	230.03205	230.03205	1

Item Pos. Ref. Pos. Pos.	Description Descrizione	Benennung Descripción	Description		Part N° Teil Nr. Code N° Cod. N° Referencia M4C - M4C1	Part N° Teil Nr. Code N° Cod. N° Referencia M4SC - M4SC1	Qty Stück Qté Q.tà Cant.
16	Dowel pin <i>Spina</i>	Fixierstift <i>Pasador</i>	Goupille		324.21210	324.21210	2
17	Spring vane <i>Molla</i>	Feder für Flügel <i>Muelle paleta</i>	R ressort de palette	A	034.49978	034.49978	30
18	Vane <i>Paletta</i>	Flügel <i>Paleta</i>	Palette	A	034.49977	034.49977	10
19	Sq. section seal <i>Guarnizione</i>	Dichtring <i>Junta seccion cuadrada</i>	Joint section carrée	E	605.10002.3	605.10002.3	1
20	Needle bearing <i>Cuscinetto a rulli</i>	Nadellager <i>Cojinete de agujas</i>	Roulement à aiguilles	G...Y	230.82008	230.82008	1
21	Ball <i>Sfera</i>	Kugel <i>Bola</i>	Bille d'acier	F	201.06001	201.06001	1
22	Adaptor valve <i>Adattatore</i>	Kugel ventil <i>Valvula adaptadora</i>	Adapteur valve	F	034.53346	034.53346	1
23	Screw <i>Vite</i>	Schraube <i>Tornillo</i>	Vis	F	312.35056	312.35056	1
24	Plug rear ported <i>Tappo bocche posteriori</i>	Stopfen axiale Anschlüsse <i>Boca trasera taponada</i>	Bouchon orifices arrières				
	SAE drain (M4C - M4SC) <i>Drenaggio SAE (M4C - M4SC)</i>	SAE Leckölanschluß (M4C - M4SC) <i>Drenaje SAE (M4C - M4SC)</i>	Drain SAE (M4C - M4SC)	GH	449.00013	449.00013	1
	BSPP drain (M4C - M4SC) <i>Drenaggio BSP (M4C - M4SC)</i>	R Leckölanschluß (M4C - M4SC) <i>Drenaje BSP (M4C - M4SC)</i>	Drain BSPP (M4C - M4SC)	JK	449.01054.3	449.01054.3	1
	SAE drain (M4C1 - M4SC1) <i>Drenaggio SAE (M4C1 - M4SC1)</i>	SAE Leckölanschluß (M4C1 - M4SC1) <i>Drenaje SAE (M4C1 - M4SC1)</i>	Drain SAE (M4C1 - M4SC1)	LM	488.35021	488.35021	1
	BSPP drain (M4C1 - M4SC1) <i>Drenaggio BSP (M4C1 - M4SC1)</i>	R Leckölanschluß (M4C1 - M4SC1) <i>Drenaje BSP (M4C1 - M4SC1)</i>	Drain BSPP (M4C1 - M4SC1)	NP	446.01004.2	446.01004.2	1
	Plug side ported <i>Tappo bocche laterali</i>	Stopfen seitliche Anschlüsse <i>Boca laterale taponada</i>	Bouchon orifices de côté				
	SAE drain (M4C - M4SC) (side and opposite ported) <i>Drenaggio SAE (M4C - M4SC)(bocche laterali opposte)</i>	SAE Leckölanschluß (M4C-M4SC) (seitliche und gegenüberliegende Anschlüsse) <i>Drenaje SAE (M4C - M4SC) (bocas laterales y opuestas)</i>	Drain SAE (M4C - M4SC) (orifices opp. et de côté)	QRY	449.00015	449.00015	1
	BSPP drain (M4C - M4SC) <i>Drenaggio BSP (M4C - M4SC)</i>	R Leckölanschluß (M4C - M4SC) <i>Drenaje BSP (M4C - M4SC)</i>	Drain BSPP (M4C - M4SC)	ST	449.01055.3	449.01055.3	1
	SAE drain (M4C1 - M4SC1) <i>Drenaggio SAE (M4C1 - M4SC1)</i>	SAE Leckölanschluß (M4C1 - M4SC1) <i>Drenaje SAE (M4C1 - M4SC1)</i>	Drain SAE (M4C1 - M4SC1)	UV	488.06090	488.06090	1
BSPP drain (M4C1 - M4SC1) <i>Drenaggio BSP (M4C1 - M4SC1)</i>	R Leckölanschluß (M4C1 - M4SC1) <i>Drenaje BSP (M4C1 - M4SC1)</i>	Drain BSPP (M4C1 - M4SC1)	WX	446.01006.2	446.01006.2	1	
25	Washer thread seal (rear ported) (BSPP drain) (M4C1 - M4SC1) <i>Guarnizione (bocche posteriori) (drenaggio BSPP) (M4C1 - M4SC1)</i>	Dichtring (axiale Anschlüsse) (R-Gewinde Leckölanschluß) <i>Junta (bocas trasera) (drenaje BSP) (M4C1 - M4SC1)</i>	Joint (orifices arrières) (drain BSPP) (M4C1 - M4SC1)	JK	612.00001.3	612.00001.3	1
	Washer thread seal (side ported) (BSPP drain) (M4C1 - M4SC1) <i>Guarnizione (bocche laterali) (drenaggio BSPP) (M4C1 - M4SC1)</i>	Dichtring (seitliche Anschlüsse) (R-Gewinde Leckölanschluß) <i>Junta ( bocas laterales) (drenaje BSP) (M4C1 - M4SC1)</i>	Joint (orifices de côté) (drain BSPP) (M4C1 - M4SC1)	WX	635.01006.2	635.01006.2	1
26	Check valve (M4C1 - M4SC1) <i>Valvola di ritegno (M4C1 - M4SC1)</i>	Rückschlagventil (M4C1 - M4SC1) <i>Valvula de retención (M4C1 - M4SC1)</i>	Clapet (M4C1 - M4SC1)	L...P U...X	S14.01257	S14.01257	2

Item Pos. Ref. Pos. Pos.	Description <i>Descrizione</i>	Benennung <i>Descripcion</i>	Description		Part N° Teil Nr. Code N° Cod. N° Referencia M4C - M4C1	Part N° Teil Nr. Code N° Cod. N° Referencia M4SC - M4SC1	Qty Stück Qté Qtá Cant.
27	Plug (M4C1 - M4SC1) <i>Tappo (M4C1 - M4SC1)</i>	Stopfen (M4C1 - M4SC1) <i>Tapon (M4C1 - M4SC1)</i>	Bouchon (M4C1 - M4SC1)	L...P U...X	431.90600	431.90600	1
	<b>REPAIR KIT KIT DI RICAMBIO</b>	<b>AUSTAUSCH-BAUGRUPPEN CONJUNTO REPARACION</b>	<b>POCHETTES RECHANGES</b>				
A	Kit 024 <i>Cartuccia 024</i>	Pumpeneinsatz 024 <i>Juego 024</i>	Cartouche 024		S14.45081	S14.45082	1
A	Kit 027 <i>Cartuccia 027</i>	Pumpeneinsatz 027 <i>Juego 027</i>	Cartouche 027		S24.64040	S24.63668	1
A	Kit 031 <i>Cartucia 031</i>	Pumpeneinsatz 031 <i>Juego 031</i>	Cartouche 031		S14.27027	S14.27031	1
A	Kit 043 <i>Cartuccia 043</i>	Pumpeneinsatz 043 <i>Juego 043</i>	Cartouche 043		S14.27028	S14.27032	1
A	Kit 055 <i>Cartuccia 055</i>	Pumpeneinsatz 055 <i>Juego 055</i>	Cartouche 055		S14.27029	S14.27033	1
A	Kit 067 <i>Cartuccia 067</i>	Pumpeneinsatz 067 <i>Juego 067</i>	Cartouche 067		S14.27030	S14.27034	1
A	Kit 075 <i>Cartuccia 075</i>	Pumpeneinsatz 075 <i>Juego 075</i>	Cartouche 075		S14.41505	S24.10890	1
B	Shaft and bearing ass'y (code 1) <i>Ins. albero (codice 1)</i>	Baugruppe (Welle u. Lager) (Typ 1) <i>Conjunto eje (codigo 1)</i>	Arbre à clavette et roulement ass. (code 1)		S14.27026	S14.27026	1
C	Shaft and bearing ass'y (code 2) <i>Ins. albero (codice 2)</i>	Baugruppe (Welle u. Lager) (Typ 2) <i>Conjunto eje (codigo 2)</i>	Arbre à clavette et roulement ass. (code 2)		S14.41575	S14.41575	1
D	Shaft and bearing ass'y (code 3) <i>Ins. albero (codice 3)</i>	Baugruppe (Welle u. Lager) (Typ 3) <i>Conjunto eje (codigo 3)</i>	Arbre à cannelures et roulement ass. (code 3)		S14.44482	S14.44482	1
E	Seal kit (S1) (M4C - M4C1) <i>Serie guarnizioni (S1) (M4C - M4C1)</i>	Dichtringsatz (S1) (M4C - M4C1) <i>Juego de juntas (S1) (M4C - M4C1)</i>	Pochette de joints (S1) (M4C - M4C1)		S14.29879		1
	Seal kit (S5) (M4SC - M4SC1) <i>Serie guarnizioni (S5) (M4SC - M4SC1)</i>	Dichtringsatz (S5) (M4SC - M4SC1) <i>Juego de juntas (S5) (M4SC - M4SC1)</i>	Pochette de joints (S5) (M4SC - M4SC1)			S14.29879.5	1
F	Port plate-pressure ass'y <i>Ins. piatto distributore anter.</i>	Steuerplatte <i>Conjunto plato dist.</i>	Plaque pression ass.		S14.29880	S14.29880	1
	End cap ass'y rear ported <i>Ins. coperchio bocche posteriori</i>	Gehäuse baugruppe axiale Anschlüsse <i>Conjunto bocas en tapa trasera</i>	Chapeau arrière ass. orifices arrières				
G	4-bolts UNC (SAE drain) (M4C - M4SC) <i>UNC 4 fori (drenaggio SAE) (M4C - M4SC)</i>	UNC Flansch (SAE Leckölanschluß) (M4C - M4SC) <i>UNC 4 agujeros (drenaje SAE) (M4C - M4SC)</i>	4 trous UNC (drain SAE) (M4C - M4SC)		S14.27035	S14.27035	1
H	SAE thd. port (SAE drain) (M4C - M4SC) <i>Filettature SAE (drenaggio SAE) (M4C - M4SC)</i>	SAE Gewinde (SAE Leckölanschluß) (M4C - M4SC) <i>Rosca SAE (drenaje SAE) (M4C - M4SC)</i>	Orifice taraudé SAE (drain SAE) (M4C - M4SC)		S14.27036	S14.27036	1
J	4-bolts UNC (BSPP drain) (M4C - M4SC) <i>UNC 4 fori (drenaggio BSP) (M4C - M4SC)</i>	UNC Flansch (R Leckölanschluß) (M4C - M4SC) <i>UNC 4 agujeros (drenaje BSP) (M4C - M4SC)</i>	4 trous UNC (drain BSPP) (M4C - M4SC)		S14.83314	S14.83314	1
K	4-bolts Metric (BSPP drain) (M4C - M4SC) <i>Metrica 4 fori (drenaggio BSP) (M4C - M4SC)</i>	Metrisch Flansch (R Leckölanschluß) (M4C - M4SC) <i>Metrico 4 agujeros (drenaje BSP) (M4C - M4SC)</i>	4 trous métriques (drain BSPP) (M4C - M4SC)		S14.97209	S14.97209	1
L	4-bolts UNC (SAE drain) (M4C1 - M4SC1) <i>UNC 4 fori (drenaggio SAE) (M4C1 - M4SC1)</i>	UNC Flansch (SAE Leckölanschluß) (M4C1 - M4SC1) <i>UNC 4 agujeros (drenaje SAE) (M4C1 - M4SC1)</i>	4 trous UNC (drain SAE) (M4C1 - M4SC1)		S14.27037	S14.27037	1
M	SAE thd. port (SAE drain) (M4C1 - M4SC1) <i>Filettature SAE (drenaggio SAE) (M4C1 - M4SC1)</i>	SAE Gewinde (SAE Leckölanschluß) (M4C1 - M4SC1) <i>Rosca SAE (drenaje SAE) (M4C1 - M4SC1)</i>	Orifice taraudé SAE (drain SAE) (M4C1 - M4SC1)		S14.27038	S14.27038	1



## Model Code

Model number :

Series external drain \_\_\_\_\_

Series internal drain \_\_\_\_\_

Torque (Nm/bar) \_\_\_\_\_

024 = 0,39

027 = 0,45

031 = 0,55

043 = 0,74

055 = 0,93

067 = 1,13

075 = 1,27

Type of shaft \_\_\_\_\_

1 = keyed (SAE B)

2 = keyed (non SAE)

3 = splined (SAE B)

Direction of rotation \_\_\_\_\_

N = bi-directional

Porting combination \_\_\_\_\_

00 = Rear ported

01 = Side ported

02 = Side ported

03 = Opposed ported

04 = Opposed ported

Design letter \_\_\_\_\_

Seal class \_\_\_\_\_

1 = S1 - M4C

5 = S5 - M4SC

Mounting w/connection variables \_\_\_\_\_

01 = SAE threaded port

SAE drain

02 = SAE 4 bolts flange

UNC threaded - SAE drain

04 = SAE 4 bolts flange

UNC threaded - BSPP drain

M4 = SAE 4 bolts flange

metric threaded - BSPP drain

Modifications \_\_\_\_\_

## Typenschlüssel

Typenbezeichnung :

Baureihe externer Leckölanschluß \_\_\_\_\_

Baureihe interner Leckölanschluß \_\_\_\_\_

Drehmoment (Nm/bar) \_\_\_\_\_

024 = 0,39

027 = 0,45

031 = 0,55

043 = 0,74

055 = 0,93

067 = 1,13

075 = 1,27

Art der Welle \_\_\_\_\_

1 = Paßfederwelle (SAE B)

2 = Paßfederwelle (nicht SAE)

3 = Vielkeilwelle (SAE B)

Drehrichtung \_\_\_\_\_

N = Rechts und Linkslauf

Lage der Anschlüsse \_\_\_\_\_

00 = Axiale Anschlüsse

01 = Seitliche Anschlüsse

02 = Seitliche Anschlüsse

03 = Gegenüberliegende Anschlüsse

04 = Gegenüberliegende Anschlüsse

Ausführungsbuchstabe \_\_\_\_\_

Dichtungsklasse \_\_\_\_\_

1 = S1 - M4C

5 = S5 - M4SC

Gehäuse-Anschlußgröße \_\_\_\_\_

01 = SAE-Gewinde

Leckölanschluß SAE

02 = 4 Loch-Flansch SAE

UNC-Gewinde - Leckölanschluß SAE

04 = 4 Loch-Flansch SAE

UNC-Gewinde - R-Leckölanschluß

M4 = 4 Loch-Flansch SAE

metrisch-Gewinde - R-Leckölanschluß

Modifikationen \_\_\_\_\_

## Designation - type

Numéro du modèle :

M4C1 : 067 : 1 N 00 : A 1 02 ::

Série drain externe \_\_\_\_\_

Série drain interne \_\_\_\_\_

Couple (Nm/bar) \_\_\_\_\_

024 = 0,39

027 = 0,45

031 = 0,55

043 = 0,74

055 = 0,93

067 = 1,13

075 = 1,27

Type d'arbre \_\_\_\_\_

1 = à clavette (SAE B)

2 = à clavette (non SAE)

3 = à cannelures (SAE B)

Sens de rotation \_\_\_\_\_

N = Bi-directionnel

Combinaison des orifices \_\_\_\_\_

00 = Sorties arrières

01 = Sorties latérales

02 = Sorties latérales

03 = Sorties opposées

04 = Sorties opposées

Conception \_\_\_\_\_

Classe de joint \_\_\_\_\_

1 = S1 - M4C

5 = S5 - M4SC

Option sur orifices \_\_\_\_\_

01 = taraudage SAE

drain SAE

02 = bride SAE 4 trous

taraudage UNC - drain SAE

04 = bride SAE 4 trous

taraudage UNC - drain BSPP

M4 = bride SAE 4 trous

taraudage métrique - drain BSPP

Modifications \_\_\_\_\_



## Designazione

## Clave de designación

Sigla :

Referencia modelo :

M4\*E1 : 067 : 1 N 00 : A 1 02 ::

Serie drenaggio esterno \_\_\_\_\_

Serie drenaje externo \_\_\_\_\_

Serie drenaggio interno \_\_\_\_\_

Serie drenaje interno \_\_\_\_\_

Coppia (Nm/bar) \_\_\_\_\_

Aro volumetrico (Nm/bar) \_\_\_\_\_

024 = 0,39  
027 = 0,45  
031 = 0,55  
043 = 0,74  
055 = 0,93  
067 = 1,13  
075 = 1,27

024 = 0,39  
027 = 0,45  
031 = 0,55  
043 = 0,74  
055 = 0,93  
067 = 1,13  
075 = 1,27

Tipo di albero \_\_\_\_\_

1 = a chiavetta (SAE B)  
2 = a chiavetta (non SAE)  
3 = scanalato (SAE B)

Tipo de eje \_\_\_\_\_

1 = chaveteado (SAE B)  
2 = chaveteado (no SAE)  
3 = estriado (SAE B)

Senso di rotazione \_\_\_\_\_

N = bidirezionale

Sentido de giro \_\_\_\_\_

N = bi-direccional

Orientamento delle bocche \_\_\_\_\_

00 = bocche posteriori  
01 = bocche laterali  
02 = bocche laterali  
03 = bocche opposte  
04 = bocche opposte

Posición de bocas \_\_\_\_\_

00 = Boca trasera  
01 = Bocas laterales  
02 = Bocas laterales  
03 = Bocas opuestas  
04 = Bocas opuestas

Disegno \_\_\_\_\_

Letra de diseño \_\_\_\_\_

Tipo di guarnizioni \_\_\_\_\_

1 = S1 - M4C  
5 = S5 - M4SC

Clase de juntas \_\_\_\_\_

1 = S1 - M4C  
5 = S5 - M4SC

Dimensioni delle bocche \_\_\_\_\_

01 = filettature SAE  
drenaggio SAE  
02 = flange SAE 4 fori - filettature UNC  
drenaggio SAE  
04 = flange SAE 4 fori - filettature UNC  
drenaggio BSP  
M4 = flange SAE 4 fori - filettature metrica  
drenaggio BSP

Opciones de las bocas \_\_\_\_\_

01 = rosca SAE  
drenaje SAE  
02 = SAE 4 agujeros - rosca UNC  
drenaje SAE  
04 = SAE 4 agujeros - rosca UNC  
drenaje BSP  
M4 = SAE 4 agujeros - rosca metrico  
drenaje BSP

Modifiche \_\_\_\_\_

Modificaciones \_\_\_\_\_