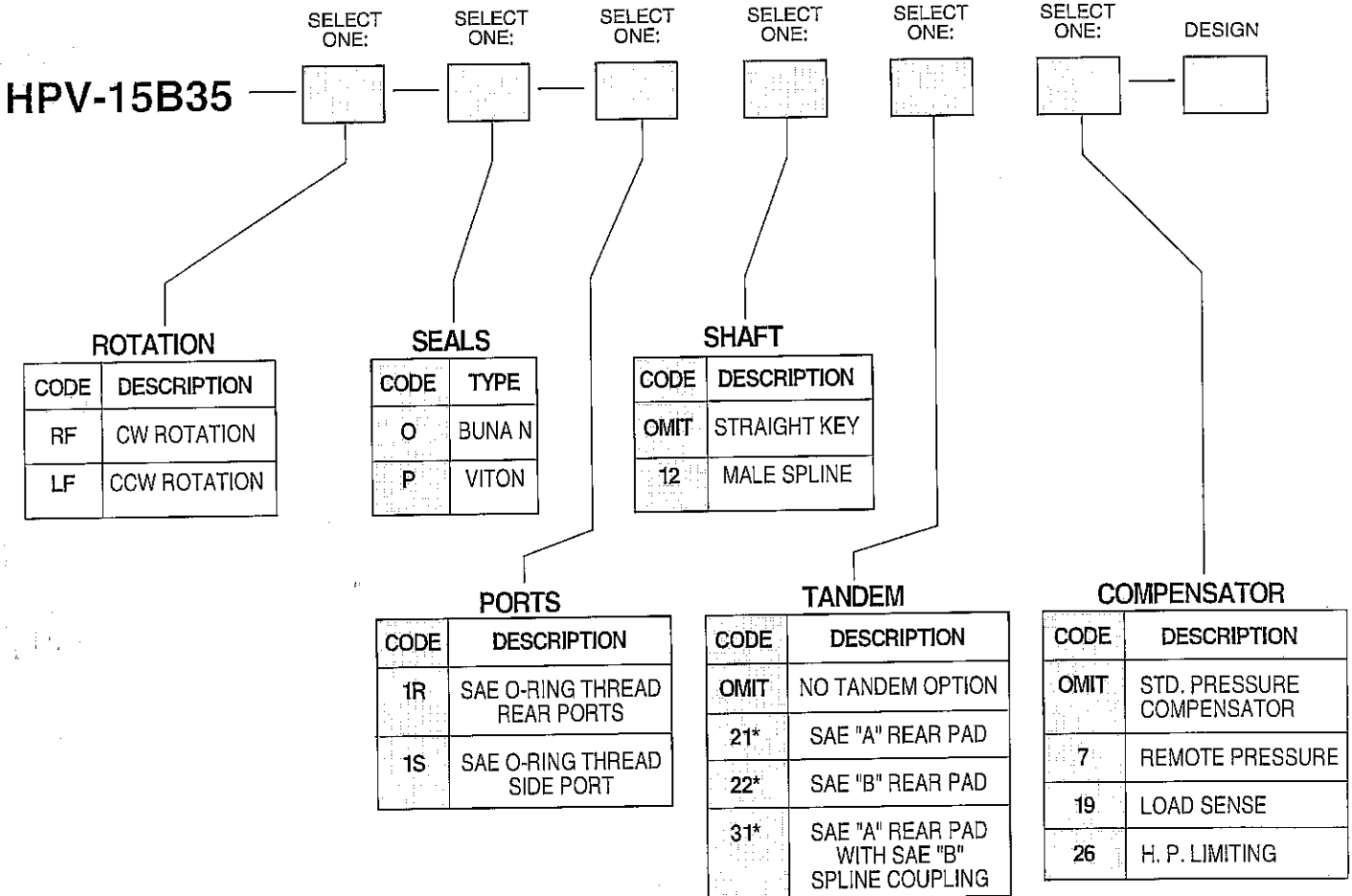




**HPV-15  
HPV SERIES  
AXIAL PISTON PUMPS**

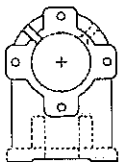


**ORDERING INFORMATION**

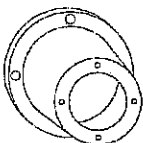


\* NOTE: CODE 1S SIDE PORT OPTION MUST BE ORDERED WITH ALL TANDEM OPTIONS.

**TYPICAL ORDERING CODE: HPV-15B35-RF-O-1R**



Foot Mounting Brackets may be found on page 49 of this catalog.



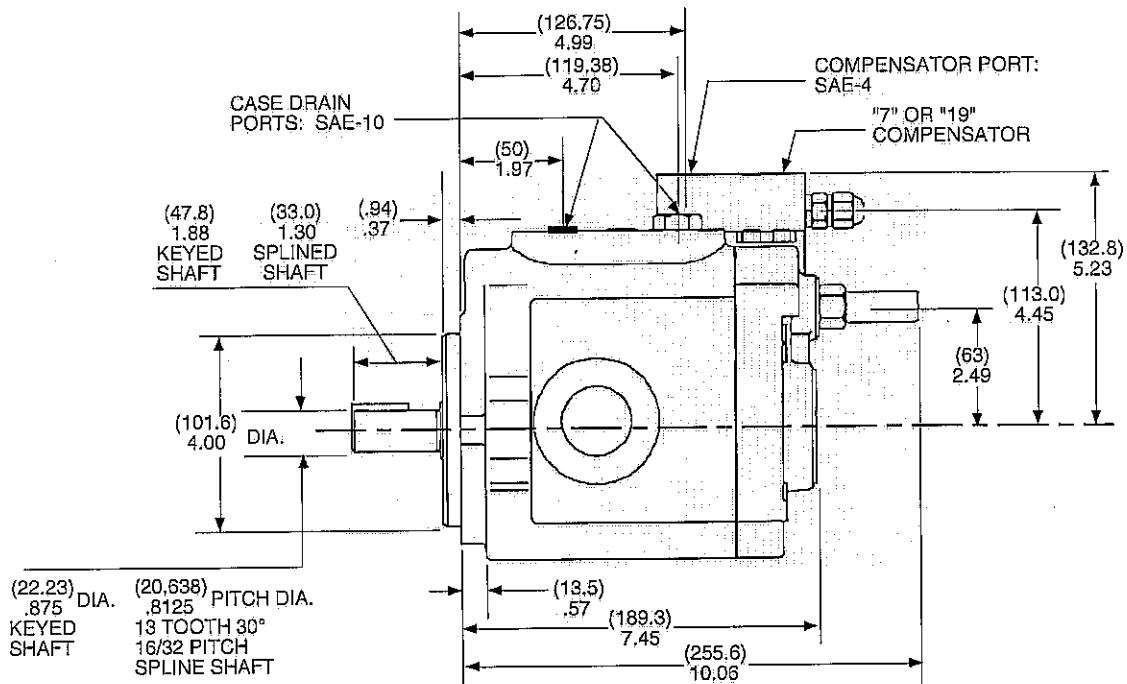
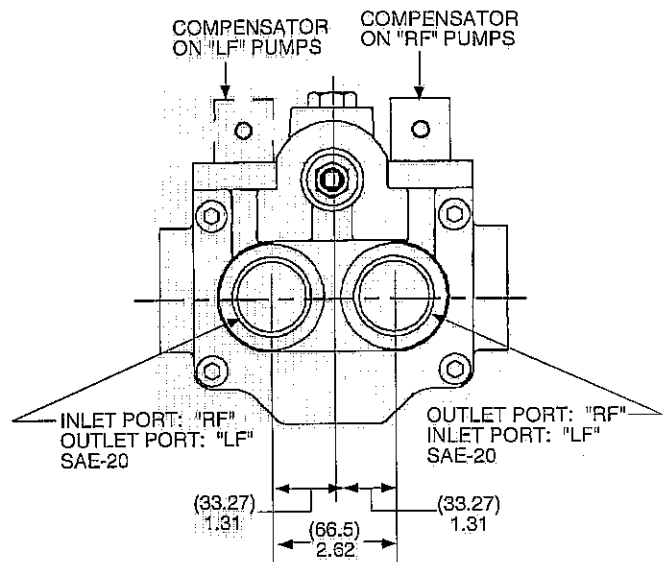
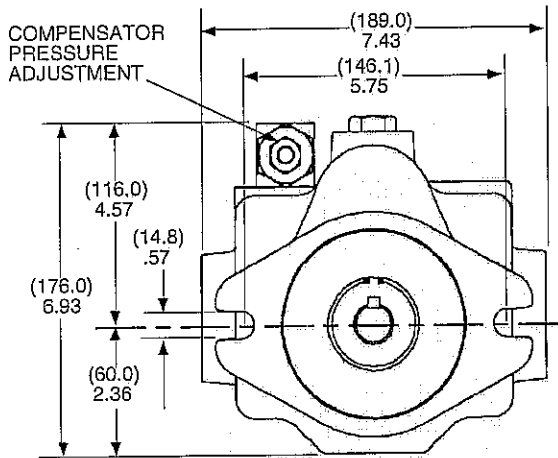
Pump Motor mounts may be found on page 115-117 of the Standard Power Units Catalog. These may be ordered from the Polypac Division.

**HPV-15**  
**HPV SERIES**  
 AXIAL PISTON PUMPS



**INSTALLATION DIMENSIONS -- REAR PORTS**

(MILLIMETERS)  
 INCHES



NOTE: KEY SIZE = 1/4" x 1.25"