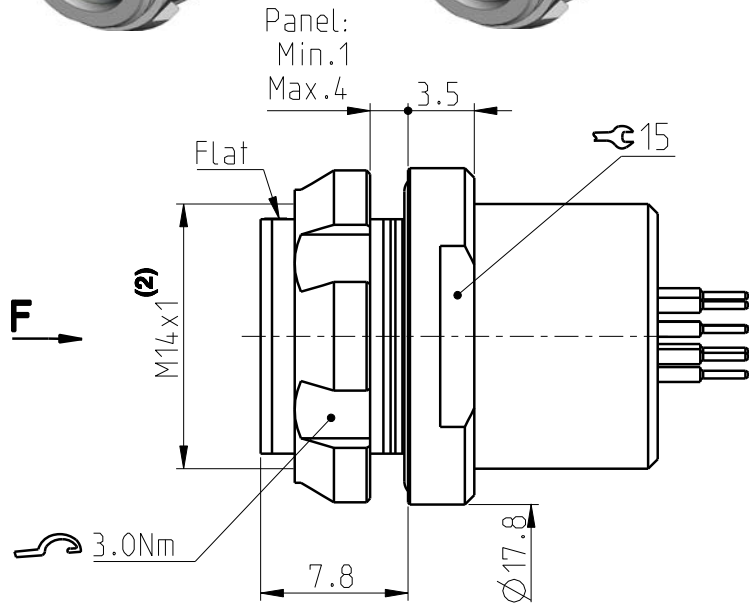
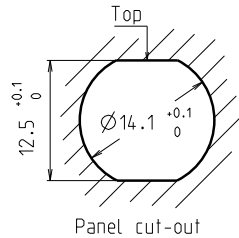


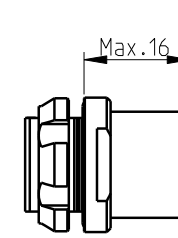
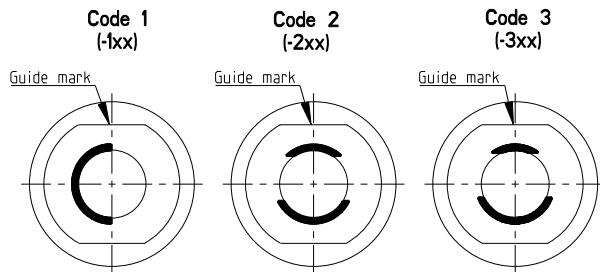
DBPE/U 103 Multipole Receptacles

Contact polarity A

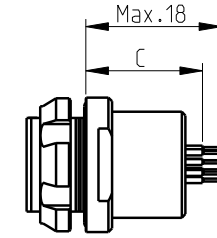
Contact polarity Z



Keying codes (View from F)



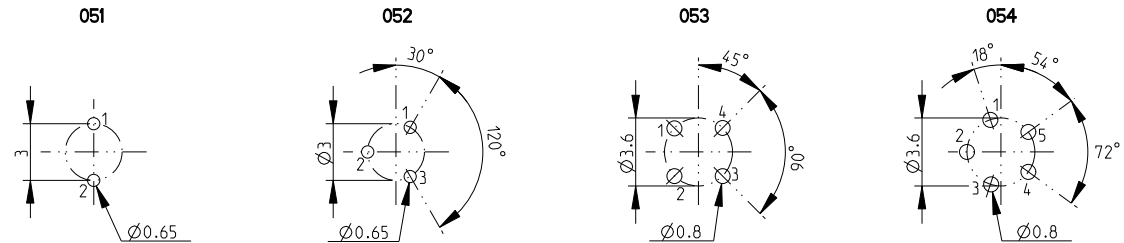
Solder (-x39/-x49)



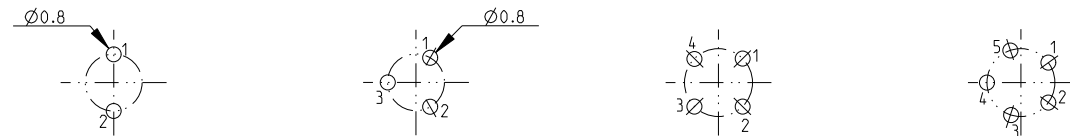
PCB (-x30/-x40)

CONTACT CONFIGURATION	Contacts	Solder cup \varnothing	C	PIN \varnothing
103 A Z 051	2	1.18	15.5 15	0.50 0.63
103 A Z 052	3	1.18	15.5 15	0.50 0.63
103 A Z 053	4	0.79	15.5 15.5	0.63
103 A Z 054	5	0.79	15.5 15.5	0.63

Pin layout / PCB hole pattern for polarity A - View from F (3)



Polarity Z - View from F



All dimensions in mm

600490

Rev.

2b

Pages

1/2

Notes:

- 1) All tolerances resulting from connector assembly are typically ± 0.3 mm
- 2) If receptacle is screwed directly into threaded hole, oversize thread by $+0.05$ mm

3) Recommended PCB hole dimensions may be adjusted to application
Part number example : DBPE 103 A062-130

fischer
CONNECTORS

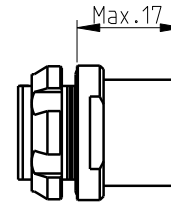
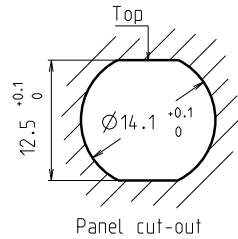
www.fischerconnectors.com

DBPE/U 103 Multipole Receptacles

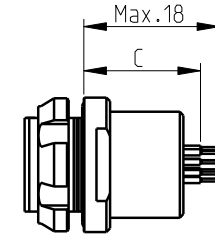
All dimensions see note 1)

Contact polarity A

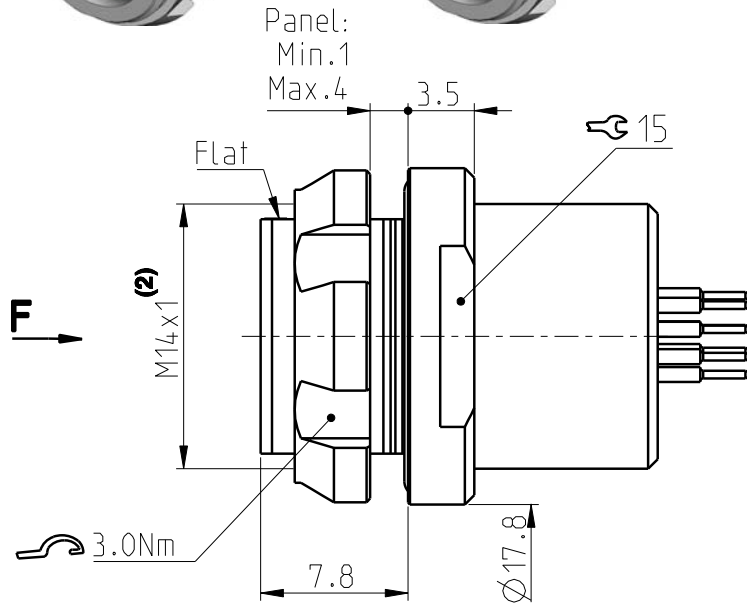
Contact polarity Z



Solder (-x39/-x49)

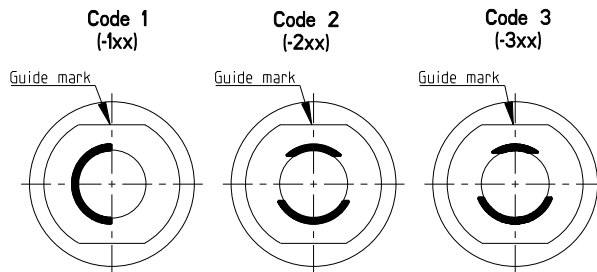


PCB (-x30/-x40)

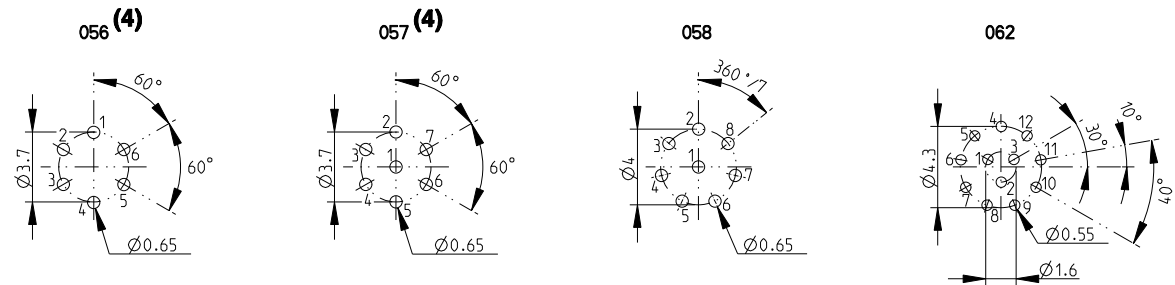


CONTACT CONFIGURATION	Contacts	Solder cup \varnothing	C	PIN \varnothing
103 A Z 056	6	0.79	15.5 14.6	0.50
103 A Z 057	7	0.79	15.5 14.6	0.50
103 A Z 058	8	0.79	15.5 14.6	0.50
103 A Z 062	12	0.43	15.5 15.4	0.40

Keying codes (View from F)



Pin layout / PCB hole pattern for polarity A - View from F (3)



Polarity Z - View from F



All dimensions in mm

600490

Rev.

2b

Pages

2/2

Notes :

- 1) All tolerances resulting from connector assembly are typically ± 0.3 mm
- 2) If receptacle is screwed directly into threaded hole, oversize thread by $+0.05$ mm

3) Recommended PCB hole dimensions may be adjusted to application

4) Only valid for Code 1. For other codes please contact us.

Part number example : DBPE 103 A062-130

fischer
CONNECTORS

www.fischerconnectors.com