

INSAFE GRADE 0-VI SAFES

Tested.
Certified.
Approved.
Safe.™



BS EN 1143-1:2012
Cert/LPCB ref. 1106a



SAFES SINCE 1840



Tested.
Certified.
Approved.
Safe™



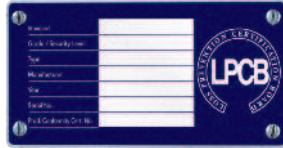
BS EN 1143-1:2012
Cert/LPCB ref. 1106a



Featured safe is Grade IV Size 110

Tested.

This means that the Insafe range of safes have been independently tested to resist attack. Tests are carried out by the LPCB (Loss Prevention Certification Board) in the UK.



Certified.

The manufacturing and testing of the Insafe range of safes is independently certified by LPCB. The certification plate found on the inside of the safe's door is a permanent guarantee of this.



Approved.

The Insafe range of safes are approved by the Association of Insurance Surveyors (AIS). The AIS is a highly respected body of risk control experts working in the UK insurance market.

Safe.

Due to the above compliance Insafe's range of safes are the real thing.

They are built to protect their contents and because they are tested, certified and approved they are accepted by all major insurers.



INSAFE.COM



SAFES SINCE 1840

Contents.

SAFE GRADE	CASH RATING	VALUABLES RATING	PAGE NO.
0	£6,000	£60,000	4
I	£10,000	£100,000	6
II	£17,500	£175,000	8
III	£35,000	£350,000	10
IV	£60,000	£600,000	12
V	£100,000	£1 million	14
VI	£150,000	£1.5 million	16

*Ratings: Cash and valuable ratings are for guidance only.

Cash and valuable ratings are for guidance only for the commercial sector in an unsupported environment. However, this is indicative overnight cash cover only and may vary across geographical locations, depending on statutory compliance requirements and local laws. Insurers may assign different cash cover values to the ones recommended in this document. In any case we recommend that you consult your insurer.

eurosafe



Assessed to ISO 9001 & ISO 14001
Cert/LPCB ref. 1106



MEMBER

Tested.
Certified.
Approved.
Safe.™



BS EN 1143-1:2012
Cert/LPCB ref. 1106a



Featured safe is
Grade 0 Size 25
Keylock

Insafe® Grade 0

Ratings* : Cash £6,000 • Valuables £60,000

- Tested & Certified by LPCB (Loss Prevention Certification Board) according to EN 1143-1 Grade 0 for Burglary Protection
 - Approved by the Association of Insurance Surveyors (AiS)
 - Locking Options: EN 1300 - Certified Key or Combination Locks • EN 1300 - Certified Class B Electronic Locks
- Optional Internal Fittings: Removable / Adjustable Shelves; Heavy Duty Shelves; Full Width Lockable Drawers and Cupboards
 - Also available in Bespoke Sizes and with Deposit Features

SIZE	Model	External Size HxWxD	Internal Size HxWxD	Volume	Weight
25	IGB-G0-25	455 x 405 x 370 mm	355 x 305 x 220 mm	24 Litres	112 Kg
40	IGB-G0-40	455 x 455 x 465 mm	355 x 355 x 315 mm	40 Litres	146 Kg
50	IGB-G0-50	585 x 405 x 465 mm	485 x 305 x 315 mm	47 Litres	168 Kg
120	IGB-G0-120	685 x 520 x 615 mm	585 x 420 x 465 mm	115 Litres	260 Kg
160	IGB-G0-160	800 x 550 x 640 mm	700 x 450 x 490 mm	155 Litres	315 Kg
260	IGB-G0-260	1000 x 610 x 715 mm	900 x 510 x 565 mm	260 Litres	441 Kg

Please add 40mm for the depth of the handle and hinges • For full technical dimensions see page 18

★Ratings: see note on page 3



**Tested.
Certified.
Approved.**

Safe.™



BS EN 1143-1:2012
Cert/LPCB ref. 1106a



Featured safe is
Grade 1 Size 40 Keylock

Insafe® Grade I

Ratings* : Cash £10,000 • Valuables £100,000

- Tested & Certified by LPCB (Loss Prevention Certification Board) according to EN 1143-1 Grade I for Burglary Protection
 - Approved by the Association of Insurance Surveyors (AiS)
 - Fire Resistance: 60 minutes Certified by RISE Research Institute Sweden - 60P
- Locking Options: EN 1300 - Certified Key or Combination Locks • EN 1300 - Certified Class B Electronic Locks
- Optional Internal Fittings: Removable / Adjustable Shelves; Heavy Duty Shelves; Full Width Lockable Drawers and Cupboards
 - Also available in Bespoke Sizes and with Deposit Features

SIZE	Model	External Size HxWxD	Internal Size HxWxD	Volume	Weight
20	INS-G1-20	455 x 405 x 370 mm	355 x 305 x 180 mm	20 Litres	98 Kg
35	INS-G1-35	455 x 455 x 465 mm	355 x 355 x 275 mm	35 Litres	118 Kg
40	INS-G1-40	585 x 405 x 465 mm	485 x 305 x 275 mm	41 Litres	131 Kg
110	INS-G1-110	685 x 520 x 615 mm	585 x 420 x 425 mm	105 Litres	207 Kg
140	INS-G1-140	800 x 550 x 640 mm	700 x 450 x 450 mm	142 Litres	247 Kg
240	INS-G1-240	1000 x 610 x 715 mm	900 x 510 x 525 mm	240 Litres	337 Kg
300	INS-G1-300	1200 x 610 x 715 mm	1100 x 510 x 525 mm	295 Litres	394 Kg
350	INS-G1-350	1400 x 610 x 715 mm	1300 x 510 x 525 mm	348 Litres	447 Kg

Please add 40mm for the depth of the handle and hinges • For full technical dimensions see page 18

★Ratings: see note on page 3



Tested.
Certified.
Approved.

Safe.™



B5 EN 1143-1:2012
Cert/LPCB ref. 1106a



Featured safe is
Grade II Size 110
Keylock

Insafe® Grade II

Ratings* : Cash £17,500 • Valuables £175,000

- Tested & Certified by LPCB (Loss Prevention Certification Board) according to EN 1143-1 Grade II for Burglary Protection
 - Approved by the Association of Insurance Surveyors (AiS)
 - Fire Resistance: 60 minutes Certified by RISE Research Institute Sweden - 60P
- Locking Options: EN 1300 - Certified Key or Combination Locks • EN 1300 - Certified Class B Electronic Locks
- Optional Internal Fittings: Removable / Adjustable Shelves; Heavy Duty Shelves; Full Width Lockable Drawers and Cupboards
 - Also available in Bespoke Sizes and with Deposit Features

SIZE	Model	External Size HxWxD	Internal Size HxWxD	Volume	Weight
35	INS-G2-35	485 x 485 x 498 mm	355 x 355 x 275 mm	35 Litres	178 Kg
40	INS-G2-40	615 x 435 x 498 mm	485 x 305 x 275 mm	41 Litres	186 Kg
110	INS-G2-110	715 x 550 x 648 mm	585 x 420 x 425 mm	105 Litres	284 Kg
140	INS-G2-140	830 x 580 x 673 mm	700 x 450 x 450 mm	142 Litres	339 Kg
240	INS-G2-240	1030 x 640 x 748 mm	900 x 510 x 525 mm	240 Litres	444 Kg
300	INS-G2-300	1230 x 640 x 748 mm	1100 x 510 x 525 mm	295 Litres	514 Kg
350	INS-G2-350	1430 x 640 x 748 mm	1300 x 510 x 525 mm	348 Litres	579 Kg
500	INS-G2-500	1730 x 800 x 693 mm	1600 x 670 x 470 mm	503 Litres	738 Kg

Please add 40mm for the depth of the handle and hinges • For full technical dimensions see page 18

★Ratings: see note on page 3



**Tested.
Certified.
Approved.**

Safe.™



B5 EN 1143-1:2012
Cert/LPCB ref. 1106a



Featured safe is
Grade III Size 240
Electronic



Insafe® Grade III

Ratings* : Cash £35,000 • Valuables £350,000

- Tested & Certified by LPCB (Loss Prevention Certification Board) according to EN 1143-1 Grade III for Burglary Protection
 - Approved by the Association of Insurance Surveyors (AiS)
 - Fire Resistance: 60 minutes Certified by RISE Research Institute Sweden - 60P
- Locking Options: EN 1300 - Certified Key or Combination Locks • EN 1300 - Certified Class B Electronic Locks
- Optional Internal Fittings: Removable / Adjustable Shelves; Heavy Duty Shelves; Full Width Lockable Drawers and Cupboards
 - Also available in Bespoke Sizes and with Deposit Features

SIZE	Model	External Size HxWxD	Internal Size HxWxD	Volume	Weight
35	INS-G3-35	485 x 485 x 498 mm	355 x 355 x 275 mm	35 Litres	178 Kg
40	INS-G3-40	615 x 435 x 498 mm	485 x 305 x 275 mm	41 Litres	186 Kg
110	INS-G3-110	715 x 550 x 648 mm	585 x 420 x 425 mm	105 Litres	284 Kg
140	INS-G3-140	830 x 580 x 673 mm	700 x 450 x 450 mm	142 Litres	339 Kg
240	INS-G3-240	1030 x 640 x 748 mm	900 x 510 x 525 mm	240 Litres	444 Kg
300	INS-G3-300	1230 x 640 x 748 mm	1100 x 510 x 525 mm	295 Litres	514 Kg
350	INS-G3-350	1430 x 640 x 748 mm	1300 x 510 x 525 mm	348 Litres	579 Kg
500	INS-G3-500	1730 x 800 x 693 mm	1600 x 670 x 470 mm	503 Litres	738 Kg

Please add 40mm for the depth of the handle and hinges • For full technical dimensions see page 18

★Ratings: see note on page 3



**Tested.
Certified.
Approved.**

Safe.™



B5 EN 1143-1:2012
Cert/LPCB ref. 1106a



Featured safe is Grade IV
Size 240 Keylock

Insafe® Grade IV

Ratings* : Cash £60,000 • Valuables £600,000

- Tested & Certified by LPCB (Loss Prevention Certification Board) according to EN 1143-1 Grade IV for Burglary Protection
 - Approved by the Association of Insurance Surveyors (AiS)
 - **Fire Resistance:** 90 minutes Certified by RISE Research Institute Sweden - 90P
- **Locking Options:** EN 1300 - Certified Key or Combination Locks • EN 1300 - Certified Class B Electronic Locks
- **Optional Internal Fittings:** Removable / Adjustable Shelves; Heavy Duty Shelves; Full Width Lockable Drawers and Cupboards
 - Also available in Bespoke Sizes and with Deposit Features

SIZE	Model	External Size HxWxD	Internal Size HxWxD	Volume	Weight
110	INS-G4-110	715 x 550 x 648 mm	585 x 420 x 425 mm	105 Litres	385 Kg
140	INS-G4-140	830 x 580 x 673 mm	700 x 450 x 450 mm	142 Litres	455 Kg
240	INS-G4-240	1030 x 640 x 748 mm	900 x 510 x 525 mm	240 Litres	612 Kg
300	INS-G4-300	1230 x 640 x 748 mm	1100 x 510 x 525 mm	295 Litres	714 Kg
350	INS-G4-350	1430 x 640 x 748 mm	1300 x 510 x 525 mm	348 Litres	812 Kg
500	INS-G4-500	1730 x 800 x 693 mm	1600 x 670 x 470 mm	503 Litres	1086 Kg

Please add 40mm for the depth of the handle and hinges • For full technical dimensions see page 18

*Ratings: see note on page 3

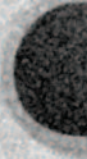


Tested.
Certified.
Approved.

Safe.™



BS EN 1143-1:2012
Cert/LPCB ref. 1106a



Featured safe is
Grade V Size 300
Keylock

Insafe® Grade V

Ratings* : Cash £100,000 • Valuables £1,000,000

- Tested & Certified by LPCB (Loss Prevention Certification Board) according to EN 1143-1 Grade V for Burglary Protection
 - Approved by the Association of Insurance Surveyors (AiS)
 - Fire Resistance: 90 minutes Certified by RISE Research Institute Sweden - 90P
 - Standard Locks: Two High Security Double Bitted Class B Key Locks as per EN 1300 standards
 - Locking Options: Digital Electronic and Mechanical Combination Locks Certified as per EN 1300 standards
- Optional Internal Fittings: Removable / Adjustable Shelves; Heavy Duty Shelves; Full Width Lockable Drawers and Cupboards
 - Also available in Bespoke Sizes and with Deposit Features

SIZE	Model	External Size HxWxD	Internal Size HxWxD	Volume	Weight
110	INS-G5-110	715 x 550 x 648 mm	585 x 420 x 425 mm	105 Litres	385 Kg
140	INS-G5-140	830 x 580 x 673 mm	700 x 450 x 450 mm	142 Litres	455 Kg
240	INS-G5-240	1030 x 640 x 748 mm	900 x 510 x 525 mm	240 Litres	612 Kg
300	INS-G5-300	1230 x 640 x 748 mm	1100 x 510 x 525 mm	295 Litres	714 Kg
350	INS-G5-350	1430 x 640 x 748 mm	1300 x 510 x 525 mm	348 Litres	812 Kg
500	INS-G5-500	1730 x 800 x 693 mm	1600 x 670 x 470 mm	503 Litres	1086 Kg

Please add 40mm for the depth of the handle and hinges • For full technical dimensions see page 18

★Ratings: see note on page 3



110

140

240

300

350

500

INSAFE.COM

Tested.
Certified.
Approved.

Safe.™



BS EN 1143-1:2012
Cert/LPCB ref. 1106a



Featured safe is
Grade VI Size 200
Keylock

Insafe® Grade VI

Ratings* : Cash £150,000 • Valuables £1,500,000

- Tested & Certified by LPCB (Loss Prevention Certification Board) according to EN 1143-1 Grade VI for Burglary Protection
 - Approved by the Association of Insurance Surveyors (AiS)
 - Fire Resistance: 90 minutes Certified by RISE Research Institute Sweden - 90P
 - Standard Locks: Two High Security Double Bitted Class C Key Locks as per EN 1300 standards
- Locking Options: Digital Electronic and Mechanical Combination Locks Certified as per EN 1300 standards
- Optional Internal Fittings: Removable / Adjustable Shelves; Heavy Duty Shelves; Full Width Lockable Drawers and Cupboards
 - Also available in Bespoke Sizes and with Deposit Features

SIZE	Model	External Size HxWxD	Internal Size HxWxD	Volume	Weight
140	INS-G6-140	790 x 690 x 730 mm	600 x 500 x 450 mm	135 Litres	720 Kg
200	INS-G6-200	1090 x 690 x 730 mm	900 x 500 x 450 mm	202 Litres	924 Kg
330	INS-G6-330	1390 x 690 x 830 mm	1200 x 500 x 550 mm	330 Litres	1219 Kg
400	INS-G6-400	1590 x 690 x 830 mm	1400 x 500 x 550 mm	385 Litres	1359 Kg
700	INS-G6-700	1890 x 940 x 830 mm	1700 x 750 x 550 mm	701 Litres	1898 Kg

Please add 40mm for the depth of the handle and hinges • For full technical dimensions see page 18

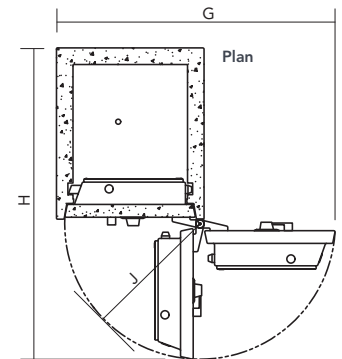
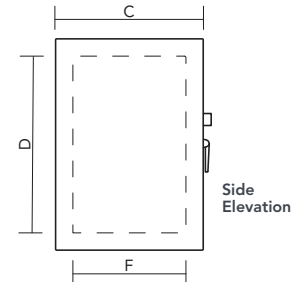
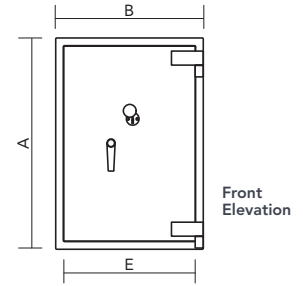
★Ratings: see note on page 3



INSAFE.COM

Technical Dimensions

GRADE	SIZE	Model	External Size HxWxD			Internal Size HxWxD			Overall Width G	Overall Depth H	Door Radius J	Volume	Weight
			A	B	C	D	E	F					
0	25	IGB-G0-25	455 x 405 x 370 mm			355 x 305 x 220 mm			735 mm	735 mm	360 mm	24 Litres	112 Kg
	40	IGB-G0-40	455 x 455 x 465 mm			355 x 355 x 315 mm			875 mm	895 mm	410 mm	40 Litres	146 Kg
	50	IGB-G0-50	585 x 405 x 465 mm			485 x 305 x 315 mm			825 mm	835 mm	360 mm	47 Litres	168 Kg
	120	IGB-G0-120	685 x 520 x 615 mm			585 x 420 x 465 mm			1090 mm	1100 mm	475 mm	115 Litres	260 Kg
	160	IGB-G0-160	800 x 550 x 640 mm			700 x 450 x 490 mm			1145 mm	1155 mm	505 mm	155 Litres	315 Kg
	260	IGB-G0-260	1000 x 610 x 715 mm			900 x 510 x 565 mm			1280 mm	1290 mm	565 mm	260 Litres	441 Kg
I	20	INS-G1-20	455 x 405 x 370 mm			355 x 305 x 180 mm			750 mm	750 mm	360 mm	20 Litres	98 Kg
	35	INS-G1-35	455 x 455 x 465 mm			355 x 355 x 275 mm			850 mm	895 mm	410 mm	35 Litres	118 Kg
	40	INS-G1-40	585 x 405 x 465 mm			485 x 305 x 275 mm			750 mm	845 mm	360 mm	41 Litres	131 Kg
	110	INS-G1-110	685 x 520 x 615 mm			585 x 420 x 425 mm			980 mm	1110 mm	475 mm	105 Litres	207 Kg
	140	INS-G1-140	800 x 550 x 640 mm			700 x 450 x 450 mm			1040 mm	1165 mm	505 mm	142 Litres	247 Kg
	240	INS-G1-240	1000 x 610 x 715 mm			900 x 510 x 525 mm			1160 mm	1300 mm	565 mm	240 Litres	337 Kg
	300	INS-G1-300	1200 x 610 x 715 mm			1100 x 510 x 525 mm			1160 mm	1300 mm	565 mm	295 Litres	394 Kg
	350	INS-G1-350	1400 x 610 x 715 mm			1300 x 510 x 525 mm			1160 mm	1300 mm	565 mm	348 Litres	447 Kg
II&III	35	INS-G2/G3-35	485 x 485 x 498 mm			355 x 355 x 275 mm			865 mm	930 mm	410 mm	35 Litres	178 Kg
	40	INS-G2/G3-40	615 x 435 x 498 mm			485 x 305 x 275 mm			765 mm	880 mm	360 mm	41 Litres	186 Kg
	110	INS-G2/G3-110	715 x 550 x 648 mm			585 x 420 x 425 mm			995 mm	1145 mm	475 mm	105 Litres	284 Kg
	140	INS-G2/G3-140	830 x 580 x 673 mm			700 x 450 x 450 mm			1055 mm	1200 mm	505 mm	142 Litres	339 Kg
	240	INS-G2/G3-240	1030 x 640 x 748 mm			900 x 510 x 525 mm			1175 mm	1335 mm	565 mm	240 Litres	444 Kg
	300	INS-G2/G3-300	1230 x 640 x 748 mm			1100 x 510 x 525 mm			1175 mm	1335 mm	565 mm	295 Litres	514 Kg
	350	INS-G2/G3-350	1430 x 640 x 748 mm			1300 x 510 x 525 mm			1175 mm	1335 mm	565 mm	348 Litres	579 Kg
	500	INS-G2/G3-500	1730 x 800 x 693 mm			1600 x 670 x 470 mm			1495 mm	1440 mm	725 mm	503 Litres	738 Kg
IV&V	110	INS-G4/G5-110	715 x 550 x 648 mm			585 x 420 x 425 mm			995 mm	1145 mm	475 mm	105 Litres	385 Kg
	140	INS-G4/G5-140	830 x 580 x 673 mm			700 x 450 x 450 mm			1055 mm	1200 mm	505 mm	142 Litres	455 Kg
	240	INS-G4/G5-240	1030 x 640 x 748 mm			900 x 510 x 525 mm			1175 mm	1335 mm	565 mm	240 Litres	612 Kg
	300	INS-G4/G5-300	1230 x 640 x 748 mm			1100 x 510 x 525 mm			1175 mm	1335 mm	565 mm	295 Litres	714 Kg
	350	INS-G4/G5-350	1430 x 640 x 748 mm			1300 x 510 x 525 mm			1175 mm	1335 mm	565 mm	348 Litres	812 Kg
	500	INS-G4/G5-500	1730 x 800 x 693 mm			1600 x 670 x 470 mm			1455 mm	1440 mm	725 mm	503 Litres	1086 Kg
VI	140	INS-G6-140	790 x 690 x 730 mm			600 x 500 x 450 mm			1320 mm	1390 mm	640 mm	135 Litres	720 Kg
	200	INS-G6-200	1090 x 690 x 730 mm			900 x 500 x 450 mm			1320 mm	1390 mm	640 mm	202 Litres	924 Kg
	330	INS-G6-330	1390 x 690 x 830 mm			1200 x 500 x 550 mm			1320 mm	1390 mm	640 mm	330 Litres	1219 Kg
	400	INS-G6-400	1590 x 690 x 830 mm			1400 x 500 x 550 mm			1320 mm	1390 mm	640 mm	385 Litres	1359 Kg
	700	INS-G6-700	1890 x 940 x 830 mm			1700 x 750 x 550 mm			1825 mm	1740 mm	890 mm	701 Litres	1898 Kg



Please add 40mm for the depth of the handle and hinges

Bespoke sizes available



Tested.
Certified.
Approved.

Safe.™

Featured safe is Grade II Size 110 Electronic

© 2018 - The Insafe logo is a registered trade mark of Insafe International Limited which includes the Pantone 268C purple square. The statements "Tested, Certified, Approved, Safe," and "Every Safe • Every Grade • Every Size" are all trade marks of Insafe International Limited.

Detail, imagery and specifications contained within this publication may vary. All dimensions, weights and capacities are approximate.

INSAFE.COM



INSPIRED SECURITY

Insafe International Limited 2 Mount Ephraim Royal Tunbridge Wells Kent TN4 8AS UK
Telephone +44 (0)1892 533 000 • sales@insafe.com