

Bulletin
V5011.12
January 2016

NOR'EAST™

CONTROLS



SINGLE SEATED V5011 SERIES



Previously manufactured by
Dezurik® and Honeywell®

Description:

2 ½" to 6" class 125 with cast iron body, bronze trim and composite seat, ideally suited for low pressure hot and chilled water and steam to 20 psi. Available with direct or reverse acting, 4-6" only, and can be fitted with electric or pneumatic actuators for either on-off or throttling control applications.

Accessories:

- Pneumatic and electro-pneumatic positioners
- Top mounted Handwheel (direct-acting only)
- Micro Switch precision switches
- Solenoids
- Air sets

SPECIFICATIONS

Actuator

Type	Pneumatic diaphragm-actuated. Type 05. Direct or reverse acting with non-reversible body.
Construction	Aluminum diaphragm cases and yoke.
Diaphragm Material	Molded of flexible Neoprene and convoluted to retain a constant effective area through the total stroke. Ambient temperature range from -20° to 160°F (-29° to 71°C).
Effective Diaphragm Area	Direct acting: 40 in ² (258 cm ²) Reverse acting: 38 in ² (245 cm ²)
Actuator Stem	Zinc-plated steel.
Spring	Totally enclosed and corrosion resistant. Range: 3 to 15 psi (21 to 100 kPa) Standard. For other ranges, see Actuator shut-off capabilities chart.
Air Pressure (Air-to-diaphragm)	Normal: 18 or 25 psi (124 or 172 kPa) Maximum: 35 psi (241 kPa) 25 psi (172 kPa)
Air Connections	1/4" NPT

Body

Type	Single-seated, straight-through, unbalanced, composite seat.
Material	Cast iron.
Sizes	Flanged ends: 2.5, 3, 4, 5 and 6" (65, 80, 100, 125 and 150 mm).
Ratings	Cast iron with flanged ends: 125 lb. ANSI B16.1 in all sizes

Bonnet

Type	Bolted to body. Temperature range is 32° to 353°F (10° to 178°C)
Packing	Spring loaded PTFE

Trim

Material	Plug: Bronze. Seal: Composite
Plug	Unbalanced plug with seating surface at bottom.
Valve Travel	2 ½" and 3" valves: ¾" travel; 4", 5" and 6" valves: 1 ½" travel

Model Codes

Size	Model: Direct Acting	Model: Reverse Acting
2 1/2"	V5011-A1734	-
3"	V5011-A1767	-
4"	V5011-A1858	V5011-B1013
5"	V5011-A1882	V5011-B1047
6"	V5011-A1916	V5011-B1070

FLOW COEFFICIENTS

Cv/Kv Values

Valve Size	Equal Percentage
2.5" 65mm	63 55
3" 80mm	100 86
4" 100mm	160 138
5" 125mm	250 206
6" 150mm	360 296

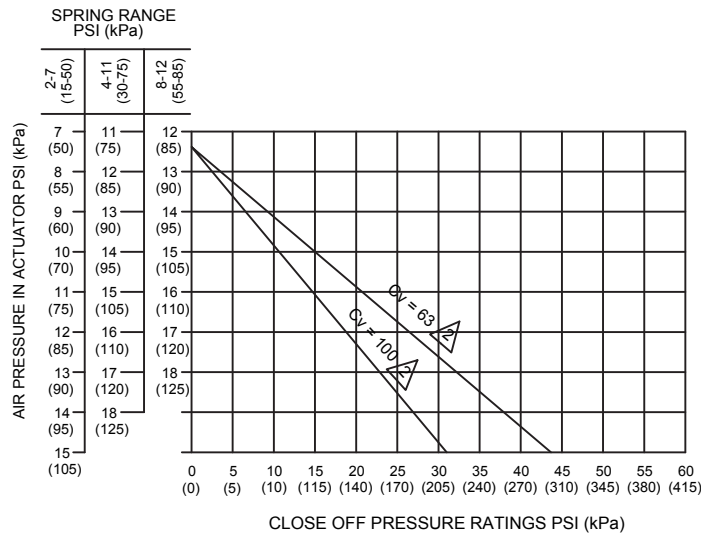
Note : Cv Values = Flow in GPM of water at 1 psi pressure drop.
Kv Values = Flow in M³/hour of water at 100 kPa pressure drop.

ACTUATOR SHUT-OFF CAPABILITIES

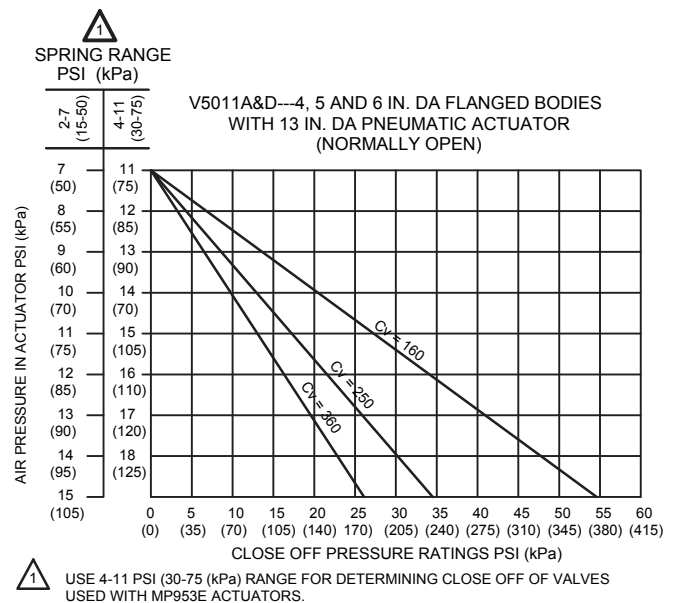
Electric/Electronic Actuators and Q5001 Linkage

Size In Inches	Close-Off Ratings psi (kPa)*		
	Linkage Seal-Off Force		
	320 lbf (1424N) Linkage	160 lbf (712N) Linkage	80 lbf (356N) Linkage
2-1/2	83 (572)	40 (276)	18 (124)
3	40 (276)	18 (124)	7 (48)
4	20 (138)	9 (62)	-
5	12 (83)	5 (34)	-
6	8 (55)	-	-

V5011A--2-1/2 and 3 in. Type 05 Pneumatic Actuator



V5011A--4, 5 and 6 in.

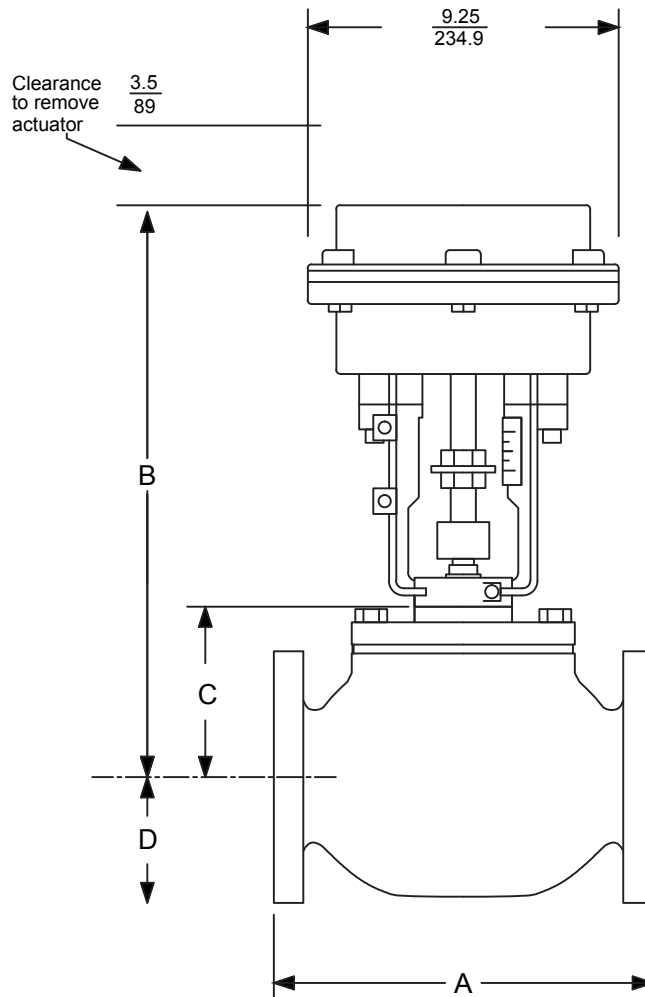


DIMENSIONS

Flanged Ends-Type 05 Actuator

Valve Size	A	B	C	D
$\frac{2.5''}{65\text{mm}}$	$\frac{9.5}{241}$	$\frac{20.38}{518}$	$\frac{4.63}{188}$	$\frac{3.5}{88}$
$\frac{3''}{80\text{mm}}$	$\frac{11.0}{279}$	$\frac{20.63}{524}$	$\frac{4.88}{124}$	$\frac{3.88}{98}$
$\frac{4''}{100\text{mm}}$	$\frac{13.0}{330}$	-	$\frac{5.63}{143}$	$\frac{4.56}{115}$
$\frac{5''}{125\text{mm}}$	$\frac{15.0}{381}$	-	$\frac{7.38}{187}$	$\frac{5.44}{138}$
$\frac{6''}{150\text{mm}}$	$\frac{16.5}{419}$	-	$\frac{7.38}{187}$	$\frac{6.30}{160}$

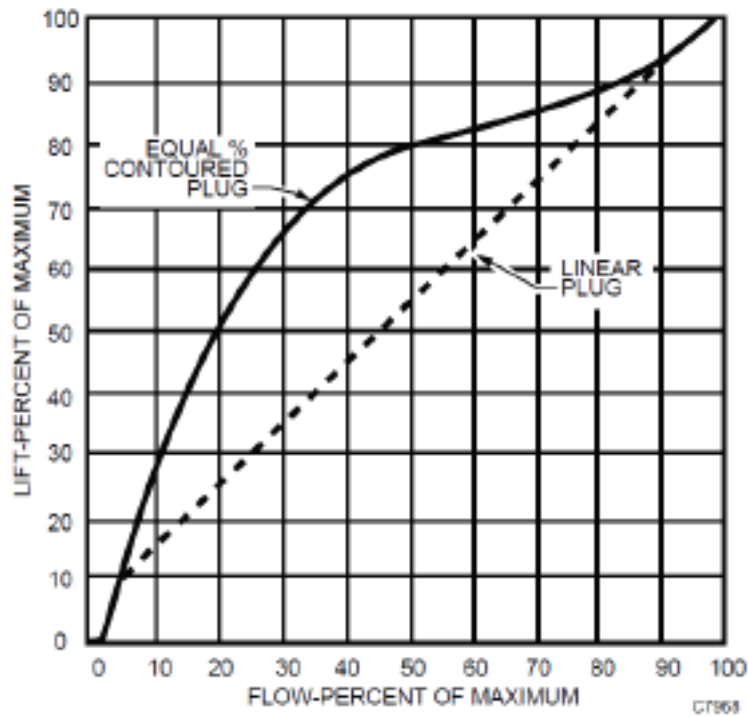
Inch
Millimeter



Electric Actuator and Linkage Selection

Linkage (lbf)	Linkage Model/Usage	Spring Return	Torque (lb-in.)	2-Position Model	Floating Model	Proportional Model
80	Q5001A	Yes	25	M8175	-	-
160	Q5001A for 3 in & smaller valves	Yes	60	M8185 M8186	M6385 M6286	M7285 M7286
		No	75	-	M6174	M7274
		No	150	-	M6184	M7284
160	Q5001B for 4, 5 & 6 in. valves	No	150	-	M6184	M7284
320	Q5001A for 3 in & smaller valves	No	300	-	M6194	M7294
	Q5001B for 4, 5 & 6 in. valves					
80	Integral	-	-	ML684	ML684	-
160	Integral	-	-	ML684	ML684	ML784

Typical Flow Characteristics



REPAIR PARTS LIST

2 1/2" V5011A1734		
Description	Part Number	Qty Req.
Gasket	30046304-858	1
Stem packing	30041035-854	4
Stem	30731050-001	1
Seat disc	30041049-835	1
Disc holder	30041054-100	1
Packing box nut	30067857-107	1
Spring flange	30041086-107	1
Spring	30041084-218	1
Stem head	30041088-107	1

3" V5011A1767		
Description	Part Number	Qty Req.
Gasket	30046335-859	1
Stem packing	30041035-854	4
Stem	30731052-001	1
Seat disc	30041050-835	1
Disc holder	30041055-100	1
Packing box nut	30067857-107	1
Spring flange	30041086-107	1
Spring	30041084-218	1
Stem head	30041088-107	1

4" V5011A1858		
Description	Part Number	Qty Req.
Gasket	30046366-859	1
Stem packing	30041036-854	5
Stem	30731054-001	1
Seat disc	30041051-835	1
Disc holder	30041056-100	1
Packing box nut	30067858-001	1
Spring flange	30041087-107	1
Spring	30041085-218	1
Stem head	30041089-235	1

4" V5011B1013		
Description	Part Number	Qty Req.
Gasket	30046366-859	1
Stem packing	30041036-854	5
Stem	30731054-001	1
Seat disc	30041051-835	1
Disc holder	30041056-100	1
Packing box nut	30041038-001	1
Spring flange	30041087-107	1
Spring	30041085-218	1
Stem head	30041089-235	1

5" V5011A1882		
Description	Part Number	Qty Req.
Gasket	30046438-859	1
Stem packing	30041036-854	5
Stem	30731055-001	1
Seat disc	30041052-835	1
Disc holder	30041057-100	1
Packing box nut	30067858-001	1
Spring flange	30041087-107	1
Spring	30041085-218	1
Stem head	30041089-235	1

5" V5011B1047		
Description	Part Number	Qty Req.
Gasket	30046438-859	1
Stem packing	30041036-854	5
Stem	30731056-001	1
Seat disc	30041052-835	1
Disc holder	30041057-100	1
Packing box nut	30041038-001	1
Spring flange	30041087-107	1
Spring	30041085-218	1
Stem head	30041089-235	1

REPAIR PARTS LIST

6" V5011A1916		
Description	Part Number	Qty Req.
Gasket	30046541-859	1
Stem packing	30041036-854	5
Stem	30731058-001	1
Seat disc	30041053-835	1
Disc holder	30041058-100	1
Packing box nut	30067858-001	1
Spring flange	30041087-107	1
Spring	30041085-218	1
Stem head	30041089-235	1

6" V5011B1070		
Description	Part Number	Qty Req.
Gasket	30046541-859	1
Stem packing	30041036-854	5
Stem	30731058-001	1
Seat disc	30041053-835	1
Disc holder	30041058-100	1
Packing box nut	30067858-001	1
Spring flange	30041087-107	1
Spring	30041085-218	1
Stem head	30041089-235	1

Guarantee

Products, auxiliaries and parts thereof, of Allagash International Group, LLC, a manufacturer of Nor' East Controls, are guaranteed for a period of one year from the date of shipment against defective workmanship and material only, when properly installed, operated and serviced in accordance with Allagash International Group, LLC recommendations. Replacement for items of Allagash International Group, LLC manufacture will be made free of charge if proved to be defective within such time. No claim for special or consequential damages, transportation, or labor shall be allowed. Purchaser shall be solely responsible for determining suitability for use and in no event shall Allagash International Group, LLC be liable in this respect. Equipment or parts manufactured by others but furnished by Allagash International Group, LLC will be repaired or replaced, only to the extent provided in the original manufacturer's warranty to Allagash International Group, LLC. Allagash International Group, LLC does not guarantee resistance to corrosion, erosion, abrasion or other sources of failure, nor does Allagash International Group, LLC guarantee a minimum length of service. Failure of the purchaser to give prompt written notice of any alleged defect under this guarantee forthwith upon its discovery, or use and possession thereof after an attempt has been made and completed by someone other than Allagash International Group, LLC or an authorized representative to remedy defects therein, or failure to return products or parts for replacement as herein provided, of failure to install, operate, and maintain said products or parts according to instructions provided by Allagash International Group, LLC, of failure to pay the entire contract price when due, shall be a waiver of all rights under these representations.

The foregoing guarantee shall be null and void, if, after shipment from our factory, the item is modified in any way or component of another manufacturer, such as but not limited to; an actuator is attached to the item by valves & controls other than a Allagash International Group, LLC.

Factory Service Personnel. All orders accepted shall be deemed accepted subject to this guarantee, which shall be exclusive of any other previous guarantee, and this shall be the only effective guarantee or warranty binding on Allagash International Group, LLC, anything to the contrary contained in the purchase order, or represented by any agent or employee of Allagash International Group, LLC, in writing or otherwise, notwithstanding, including but not limited to implied warranties.

THE FOREGOING OBLIGATIONS ARE IN LIEU OF ALL OTHER OBLIGATIONS AND LIABILITIES INCLUDING WARRANTIES OF FITNESS OR MERCHANTABILITY OR OTHERWISE, EXPRESSED OR IMPLIED IN FACT OR BY LAW, AND STATE NOR'EAST CONTROLS AND EXCLUSIVE LIABILITY AND PURCHASER'S EXCLUSIVE REMEDY FOR ANY CLAIM IN CONNECTION WITH THIS SALE OR FURNISHING OF SERVICES, GOODS, OR PARTS, THEIR OWN DESIGN, SUITABILITY FOR USE, INSTALLATION OR OPERATION.

Limitation of Liability

In no event shall Allagash International Group, LLC, a Manufacturer of Nor' East Controls be liable for any direct, indirect, special or consequential damages whatsoever, and Allagash International Group, LLC liability, under no circumstances, will exceed the contract price for the goods and/or services for which liability is claimed. Any action for breach of contract must be commenced within 1 year after the cause of the action has occurred.



70 Ingersoll Drive, Portland ME 04103 . phone 207-781-8831 . fax 207-781-8830

ALLAGASHINTERNATIONAL.COM

Sales and Service

Allagash International Group, LLC representatives are located in major cities throughout the world. For the name of the representative nearest you, email us: sales@allagashinternational.com

Allagash International, Group LLC reserves the right to incorporate our latest design and material changes without notice or obligation. Design features, materials of construction and dimensional data, as described in this bulletin, are provided for your information only and should not be relied upon unless confirmed in writing by Allagash International, Group LLC. Certified drawings are available upon request.