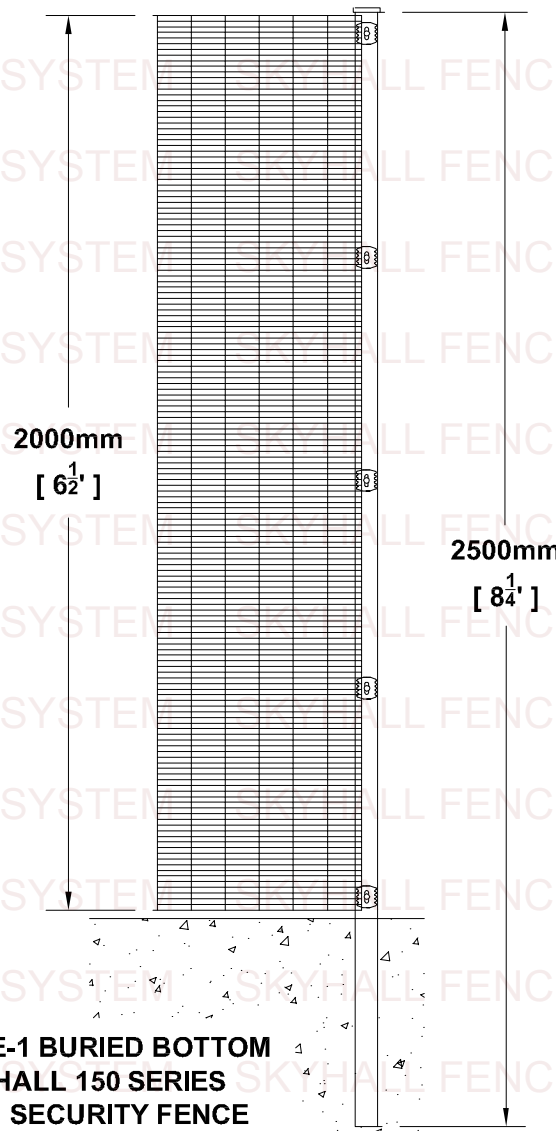


SKYHALL FENCE SYSTEM

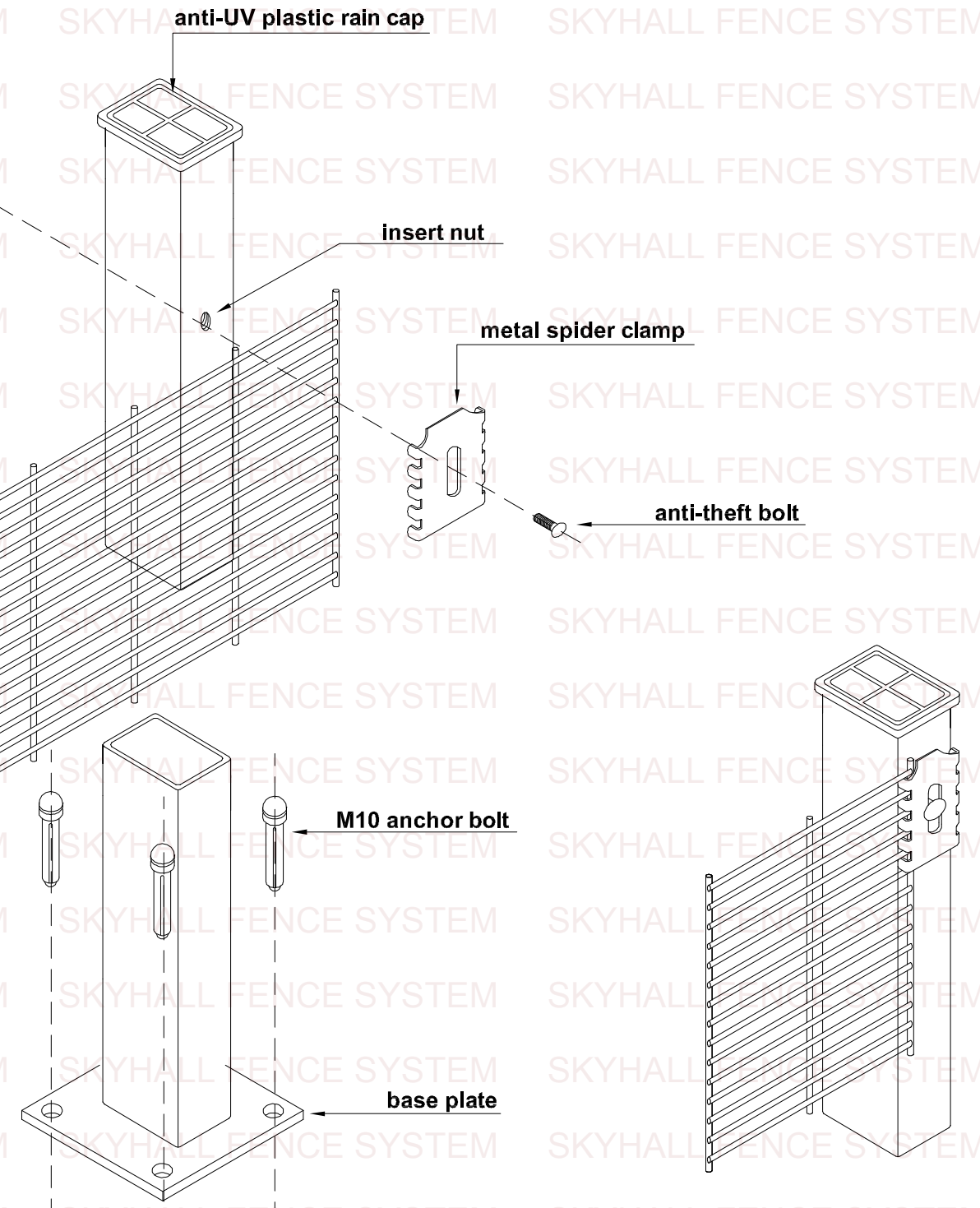
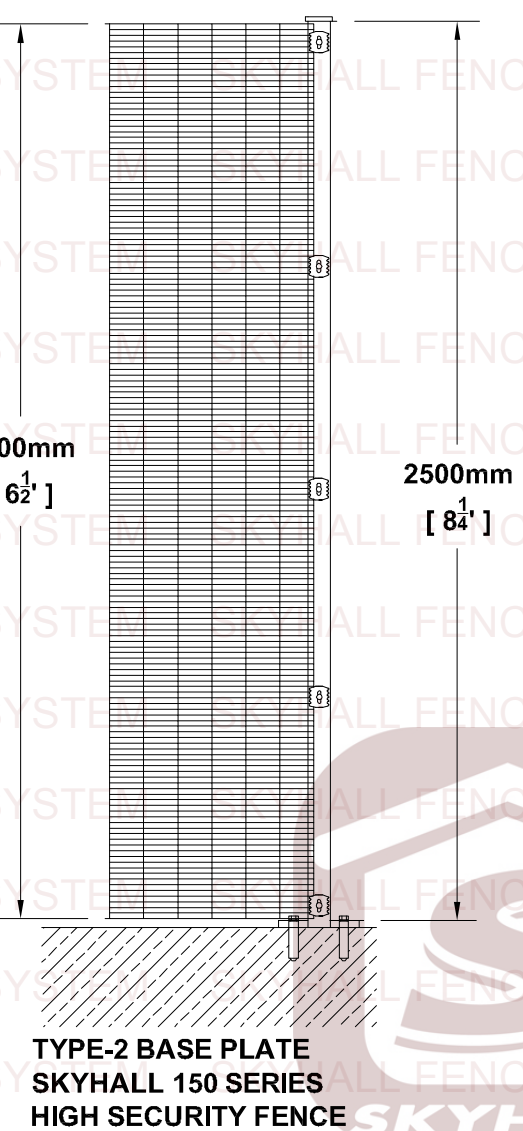
WEBSITE: www.skyhall.org www.skyhallfence.com
 TEL: (0086) 311-8783-1537 E-MAIL: info@skyhall.org
 FAX: (0086) 311-8610-2039

ADDRESS: Room 1103, Import & Export building, #486 hepingxi rd, Xinhua district, Hebei province, China.

**TYPE-1 BURIED BOTTOM
SKYHALL 150 SERIES
HIGH SECURITY FENCE**



**TYPE-2 BASE PLATE
SKYHALL 150 SERIES
HIGH SECURITY FENCE**



SKYHALL 150 SERIES (HIGH SECURITY FENCE) SKYHALL FENCE SYSTEM				
Post Size	Post Wall Thick	Clamp	Rain Cap	Surface
40mm * 60mm	1.5mm [gauge #17]	metal spider clamp	metal rain cap	hot-dipped galvanized
	2.0mm [gauge #15]			
60mm * 60mm	2.5mm [gauge #13]	flat bar cover	PVC rain cap	electric galvanized + PVC coated
	3.0mm [gauge #11]			
80mm * 60mm	4.0mm [gauge #8]			

Rev	Date	Changed	By	Material	Q195/235	Spec
01	n/a	n/a		Mass	N/A	
02				SKYHALL FENCE 150 SERIES HIGH SECURITY FENCE (CONNECTION) H=2.00M, W=2.50M, MESH SIZE 76.2MM*12.7MM		
03						
04						
05				Status		Designer
06				Status by		Date
07						



RAY HAN
2014-08-11

DIN A3
Scale 1:1
SKH150A0002

THIS DRAWING AND THE RELATED INFORMATION IS AND REMAINS THE EXCLUSIVE PROPERTY OF SKYHALL WITHOUT THE PRIOR WRITTEN CONSENT OF SKYHALL. THIS DRAWING AND THE RELATED INFORMATION MAY NEITHER BE COPIED OR REPRODUCED, NOR COMMUNICATED IN ANY WAY TO A THIRD PARTY, NOR USED FOR MANUFACTURING OUTSIDE SKYHALL EACH INFRINGEMENT OF THESE INTELLECTUAL PROPERTY RIGHTS OF SKYHALL SHALL GIVE RISE TO LEGAL PROCEEDINGS.

A B C D E F G H