

**we-ef**

**WE-EF LEUCHTEN**  
**General Catalogue**  
European Edition  
2016–2018



## **IOS® Beam distributions for floodlights**

- [B] wide beam, bi-symmetric
- [M] medium beam, bi-symmetric
- [E] narrow beam, bi-symmetric
- [E10] narrow beam, 10° asymmetric
- [A45] wide beam, 45° asymmetric

# Floodlights



FLB100

328



FLB400

330



## ACCESSORIES

■ Mounting	336
■ Electrical	337
■ Optical	338

## FLB100 SERIES

Bracket mounted floodlight, narrow or wide beam distribution, asymmetric.

IP55, Class I, IK08. Marine-grade die-cast aluminium alloy except outreach arm which is extruded. 5CE superior corrosion protection including PCS hardware. Powdercoat finish in RAL 9004, RAL 9006, RAL 9007 or RAL 9016. Silicone rubber gaskets. Safety glass lens, hinged. Anodised aluminium reflector. Two cable entries.

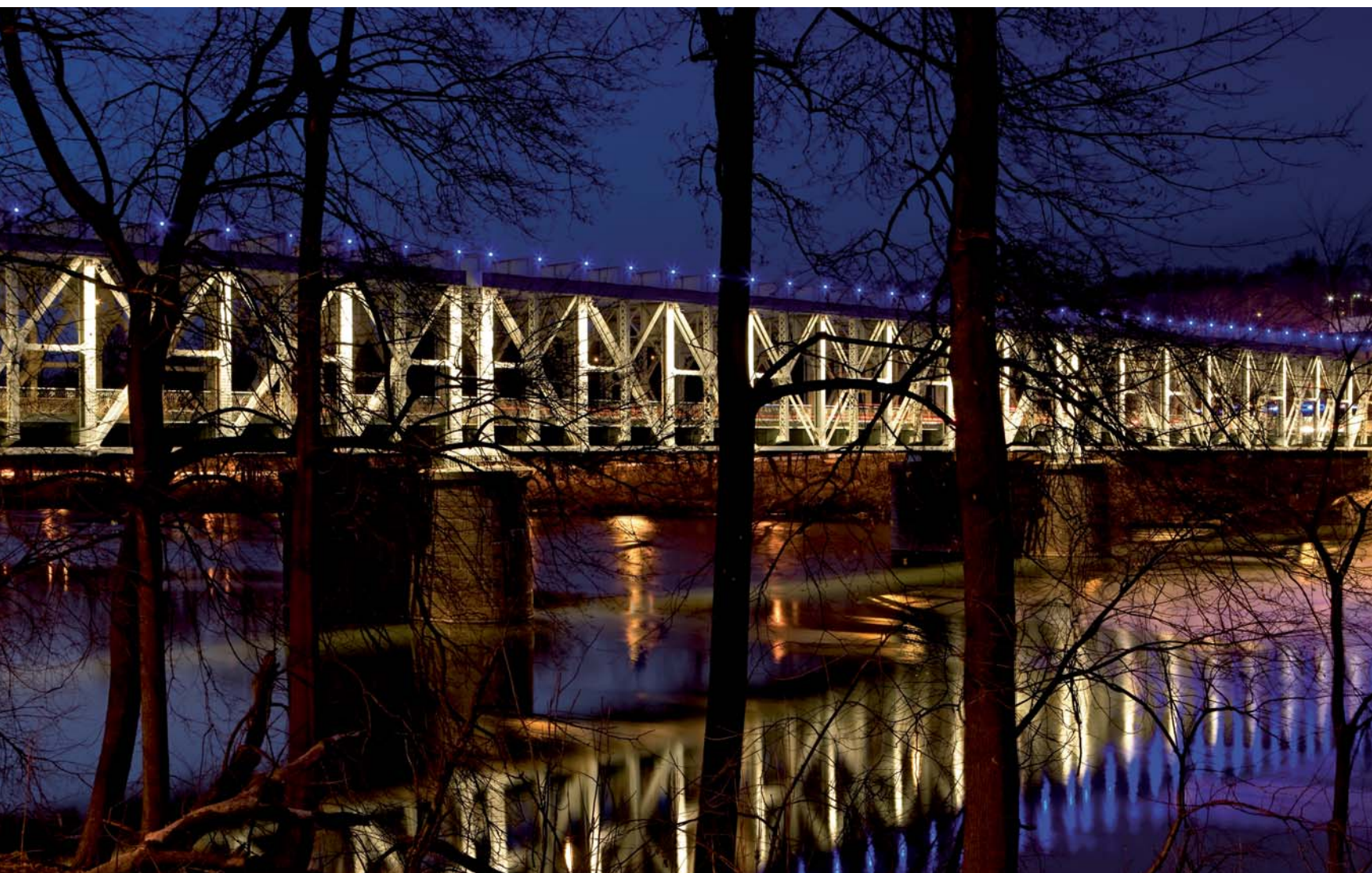
ECG control gear, thermally separated.

Knuckle permits 350° horizontal and 90° vertical aiming of optics.

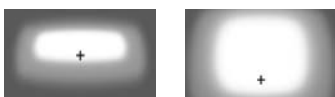
Light source  
HIT 70-150 W

Light distributions  
[E10] [A45]

Accessories  
■ Optical, page 338



East Falls Bridge. Philadelphia, PA (USA). Lighting design: Grenald Waldraon Associates, Narberth, PA.



[E10]

[A45]

[E10] Narrow beam distribution, 10° asymmetric

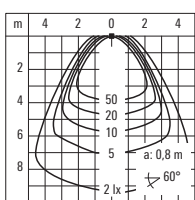
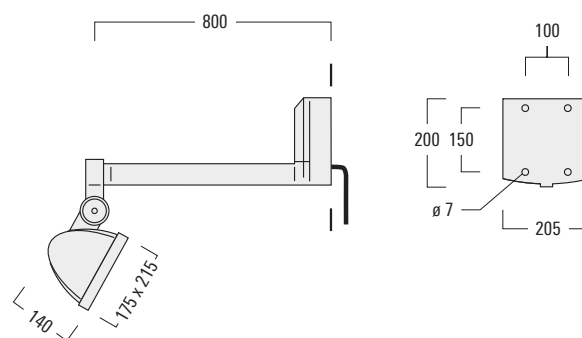
[A45] Wide beam distribution, 45° asymmetric



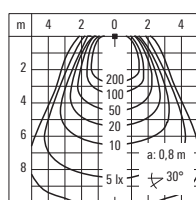
[E10]	Part ID	Light source	lm	Factor*	kg
FLB141	161-9162 [ECG]	HIT-DE-CE 70W RX7s	6800	1.00	7.7
	161-9166 [ECG]	HIT-DE-CE 150W RX7s	14500	2.13	7.9

[A45]	Part ID	Light source	lm	Factor*	kg
FLB141	161-9284 [ECG]	HIT-DE-CE 70W RX7s	6800	1.00	7.7
	161-9288 [ECG]	HIT-DE-CE 150W RX7s	14500	2.13	7.9



[E10]



[A45]

\* Multiplier for Isolux value

## FLB400 SERIES

Floodlight, wide, medium, narrow beam distribution, bi-symmetric or narrow, wide beam distribution, asymmetric.

IP66, Class I. IK08. Marine-grade die-cast aluminium alloy. 5CE superior corrosion protection including PCS hardware. Powdercoat finish in RAL 9004, RAL 9006, RAL 9007 or RAL 9016. Silicone rubber gaskets. Safety glass lens, hinged. Anodised aluminium reflector.

HPF or ECG control gear (70-400 W), thermally separated up to 1000 W.

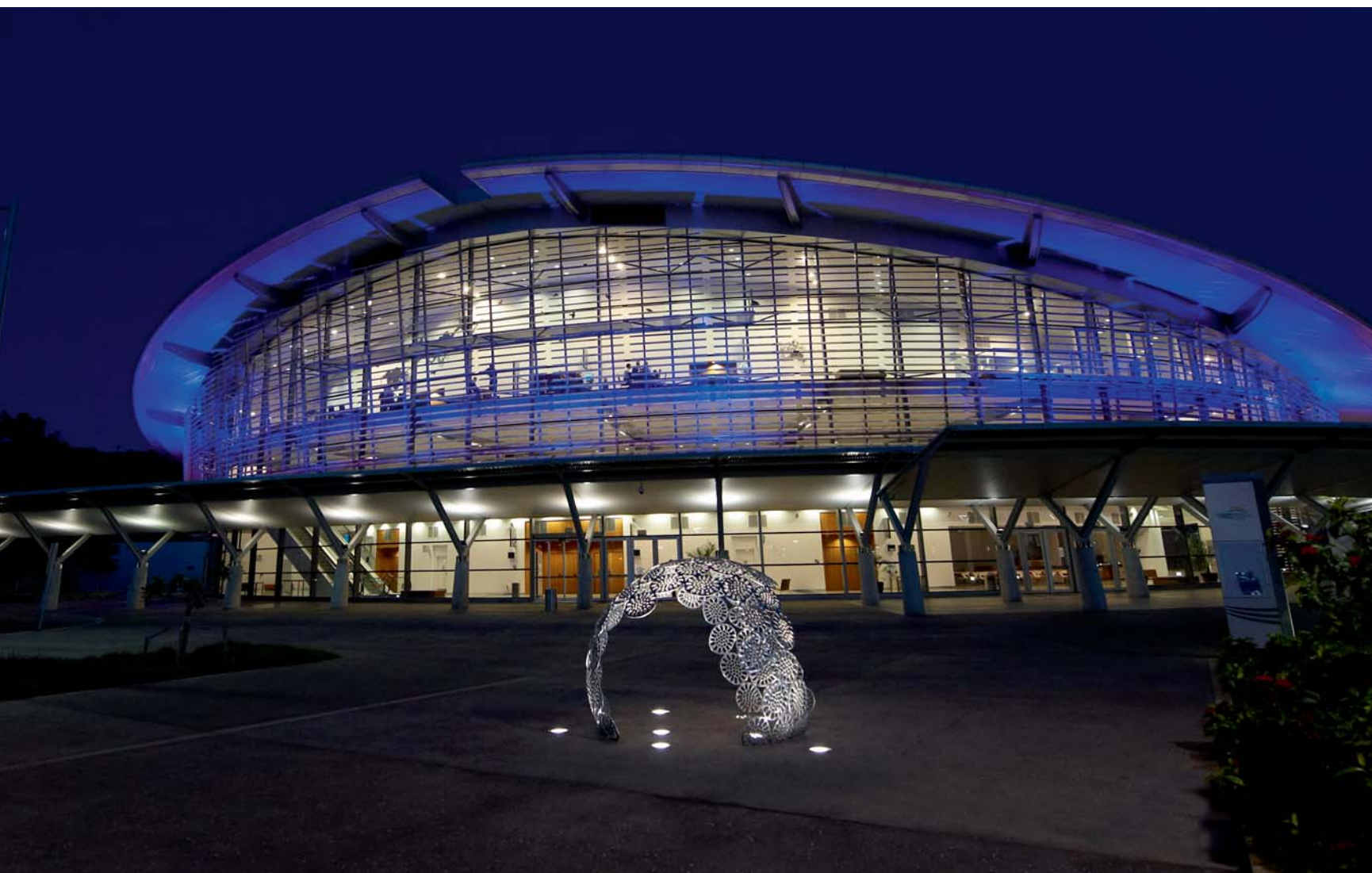
For 2000 W, remote HPF gear box made from marine-grade die-cast aluminium alloy or in pole HPF gear tray, to be ordered separately.

Light source  
HIT 70-2000 W  
HST 70-1000 W

Light distributions  
[B] [M] [E] [E10] [A45]

### Accessories

- Mounting, page 336
- Electrical, page 337
- Optical, page 338



Darwin Convention Centre. Darwin (AUS)

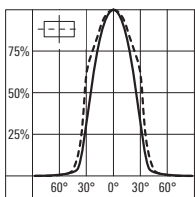


[B] Wide beam distribution, bi-symmetric

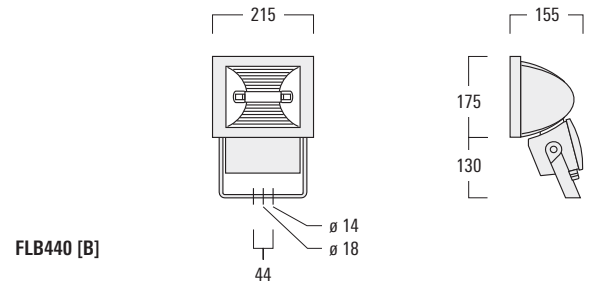


[B]	Part ID	Light source	lm	cd/klm	C <sub>0</sub> C <sub>180</sub>	C <sub>90</sub> C <sub>270</sub>	kg
FLB440	161-9252 [HPF]	HIT-DE-CE 70W RX7s	6800	638	26°/26°	32°/32°	6.1
	161-9748 [ECG]	HIT-DE-CE 70W RX7s	6800	638	26°/26°	32°/32°	5.0
	161-9255 [HPF]	HIT-DE-CE 150W RX7s	14500	665	25°/25°	32°/32°	6.6
	161-9258 [HPF]	HST-DE-X4 70W RX7s	6800	675	26°/26°	31°/31°	6.2
	161-9261 [HPF]	HST-DE-X4 150W RX7s	15000	622	25°/25°	31°/31°	6.1
FLB460	161-9832 [HPF]	HIT-CE 250W E40	26000	642	22°/35°	37°/37°	14.1
	161-9835 [HPF]	HIT 400W E40	35000	566	24°/39°	36°/36°	16.3
	161-9861 [HPF]	HST-X4 250W E40	33200	533	29°/34°	39°/39°	14.1
	161-9864 [HPF]	HST-X4 400W E40	56500	562	28°/33°	36°/36°	16.3
FLB480	148-9018 [IGN]*	HIT-LA-DE 1000W K12s-36/Cable	100000	693	20°/18°	41°/41°	16.4
	148-9020 [IGN]*	HIT-LA-DE 2000W K12s-36/Cable	220000	628	23°/25°	42°/42°	16.4
	148-9022 [IGN]*	HST 1000W E40	130000	648	21°/19°	39°/39°	14.9

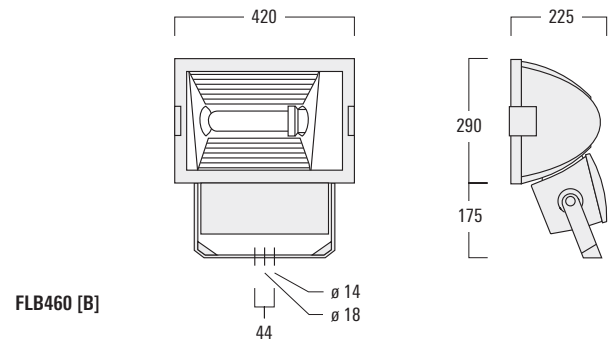
\* Remote HPF gear box made from marine-grade die-cast aluminium alloy or in pole HPF gear tray, to be ordered separately.



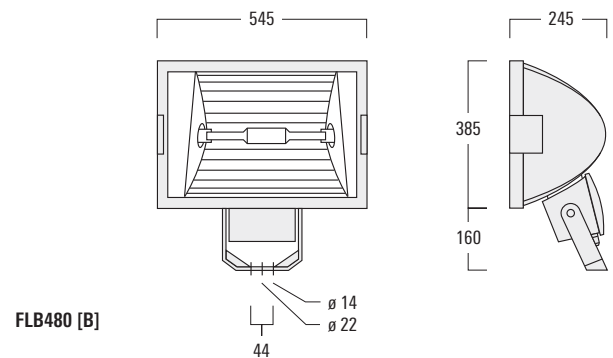
[B]



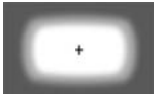
FLB440 [B]



FLB460 [B]



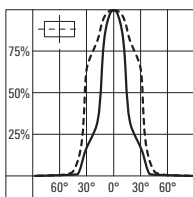
FLB480 [B]



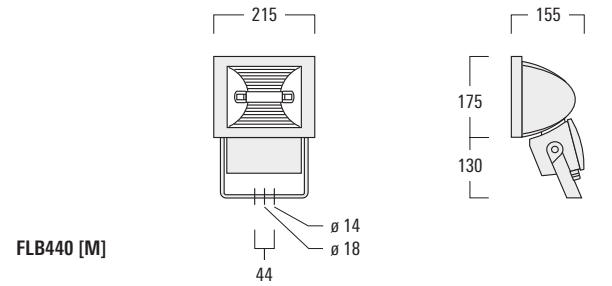
[M] Medium beam distribution, bi-symmetric

[M]	Part ID	Light source	lm	cd/klm	C <sub>0</sub> C <sub>180</sub>	C <sub>90</sub> C <sub>270</sub>	kg
FLB440	161-9183 [HPF]	HIT-DE-CE 70W RX7s	6800	1011	15°/15°	32°/32°	6.1
	161-9239 [ECG]	HIT-DE-CE 70W RX7s	6800	1011	15°/15°	32°/32°	5.0
	161-9186 [HPF]	HIT-DE-CE 150W RX7s	14500	926	16°/16°	32°/32°	6.6
	161-9192 [HPF]	HST-DE-X4 70W RX7s	6800	971	14°/14°	31°/31°	6.1
	161-9195 [HPF]	HST-DE-X4 150W RX7s	15000	897	15°/15°	31°/31°	6.6
FLB460	161-9323 [HPF]	HIT-CE 250W E40	26000	786	27°/10°	37°/37°	14.1
	161-9326 [HPF]	HIT 400W E40	35000	781	15°/23°	37°/37°	16.3
	161-9350 [HPF]	HST-X4 250W E40	33200	829	13°/21°	36°/36°	14.1
	161-9353 [HPF]	HST-X4 400W E40	56500	854	14°/18°	36°/36°	16.3
	FLB480	148-9048 [IGN]*	HIT-LA-DE 1000W K12s-36/Cable	100000	842	16°/15°	40°/40°
148-9050 [IGN]*		HIT-LA-DE 2000W K12s-36/Cable	220000	791	18°/15°	41°/41°	16.4
148-9052 [IGN]*		HST 1000W E40	130000	828	15°/13°	38°/38°	16.4

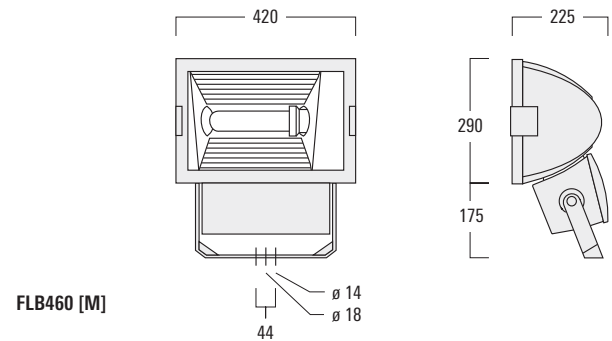
\* Remote HPF gear box made from marine-grade die-cast aluminium alloy or in pole HPF gear tray, to be ordered separately.



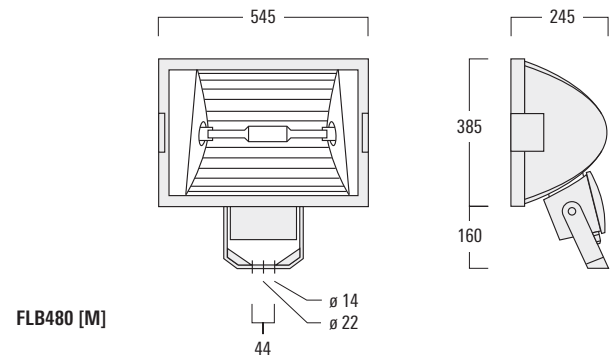
[M]



FLB440 [M]

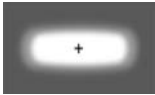


FLB460 [M]



FLB480 [M]



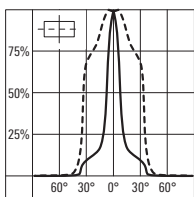


[E] Narrow beam distribution, bi-symmetric

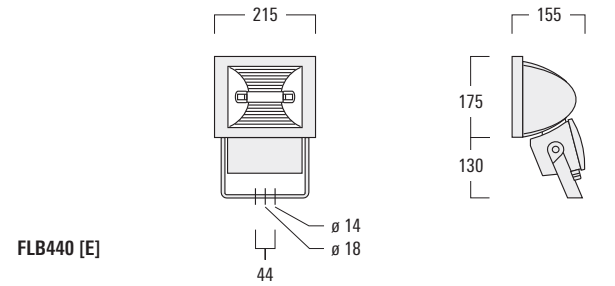


[E]	Part ID	Light source	lm	cd/klm	C <sub>0</sub> C <sub>180</sub>	C <sub>90</sub> C <sub>270</sub>	kg
FLB440	161-9201 [HPF]	HIT-DE-CE 70W RX7s	6800	1716	7°/7°	33°/33°	6.1
	161-9243 [ECG]	HIT-DE-CE 70W RX7s	6800	1716	7°/7°	33°/33°	5.0
	161-9204 [HPF]	HIT-DE-CE 150W RX7s	14500	1426	9°/9°	33°/33°	6.6
	161-9210 [HPF]	HST-DE-X4 70W RX7s	6800	1770	6°/6°	32°/32°	6.1
	161-9213 [HPF]	HST-DE-X4 150W RX7s	15000	1564	7°/7°	32°/32°	6.6
FLB460	161-9392 [HPF]	HIT-CE 250W E40	26000	1168	7°/5°	38°/38°	14.1
	161-9395 [HPF]	HIT 400W E40	35000	1132	6°/7°	36°/36°	16.3
	161-9419 [HPF]	HST-X4 250W E40	33200	1272	6°/6°	40°/40°	14.1
	161-9422 [HPF]	HST-X4 400W E40	56500	1028	9°/6°	34°/34°	16.3
FLB480	148-9078 [IGN]*	HIT-LA-DE 1000W K12s-36/Cable	100000	1360	6°/6°	41°/41°	16.4
	148-9080 [IGN]*	HIT-LA-DE 2000W K12s-36/Cable	220000	1820	5°/4°	41°/41°	16.4
	148-9082 [IGN]*	HST 1000W E40	130000	1905	4°/4°	38°/38°	14.9

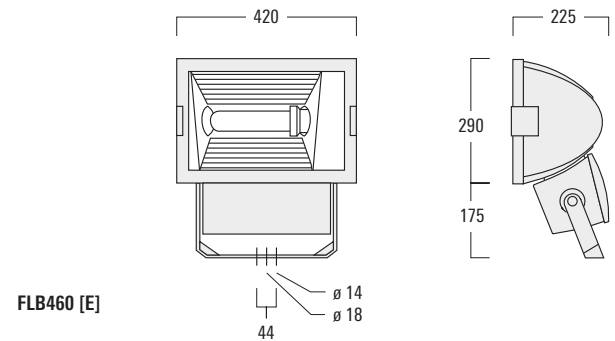
\* Remote HPF gear box made from marine-grade die-cast aluminium alloy or in pole HPF gear tray, to be ordered separately.



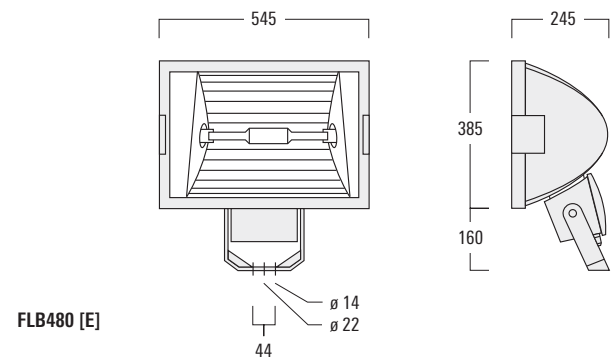
[E]



FLB440 [E]



FLB460 [E]



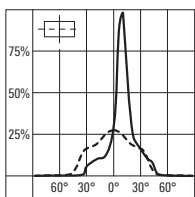
FLB480 [E]



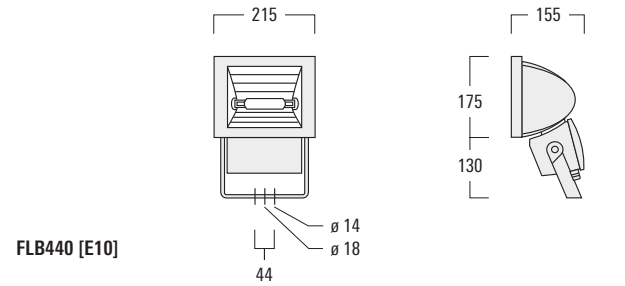
[E10] Narrow beam distribution, 10° asymmetric

[E10]	Part ID	Light source	lm	cd/klm	C <sub>0</sub> C <sub>180</sub>	C <sub>90</sub> C <sub>270</sub>	kg
FLB440	161-9219 [HPF]	HIT-DE-CE 70W RX7s	6800	1645	5°/9°	34°/34°	6.1
	161-9726 [ECG]	HIT-DE-CE 70W RX7s	6800	1645	5°/9°	34°/34°	5.0
	161-9222 [HPF]	HIT-DE-CE 150W RX7s	14500	1128	8°/12°	34°/34°	6.6
	161-9228 [HPF]	HST-DE-X4 70W RX7s	6800	1492	4°/9°	32°/32°	6.1
	161-9231 [HPF]	HST-DE-X4 150W RX7s	15000	1392	6°/10°	33°/33°	6.6
FLB460	161-9440 [HPF]	HIT-DE 250W Fc2	20000	1801	7°/6°	44°/44°	14.1
	161-9443 [HPF]	HIT-DE 400W Fc2	36000	1591	7°/7°	44°/44°	16.3
	161-9452 [HPF]	HST-DE 250W Fc2	25500	1583	6°/6°	45°/45°	14.1
	161-9455 [HPF]	HST-DE 400W Fc2	48000	1683	6°/6°	45°/45°	16.3
FLB480	148-9096 [IGN]*	HIT-LA-DE 1000W K12s-36/Cable	100000	1801	7°/6°	44°/44°	16.4
	148-9098 [IGN]*	HIT-LA-DE 2000W K12s-36/Cable	220000	1591	7°/7°	44°/44°	16.4

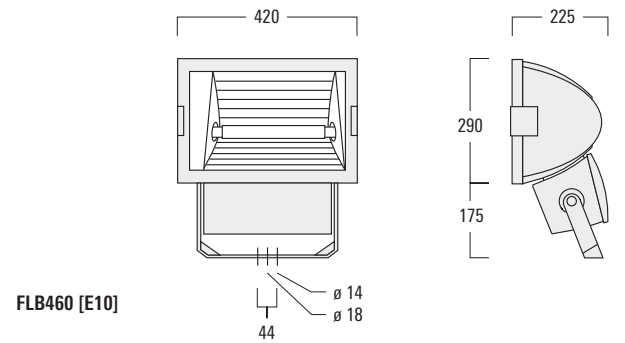
\* Remote HPF gear box made from marine-grade die-cast aluminium alloy or in pole HPF gear tray, to be ordered separately.



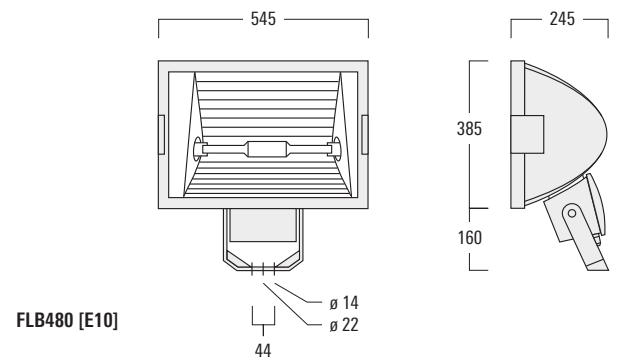
[E10]



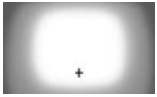
FLB440 [E10]



FLB460 [E10]



FLB480 [E10]

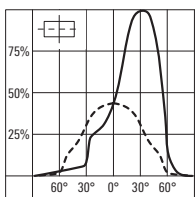


[A45] Wide beam distribution, 45° asymmetric

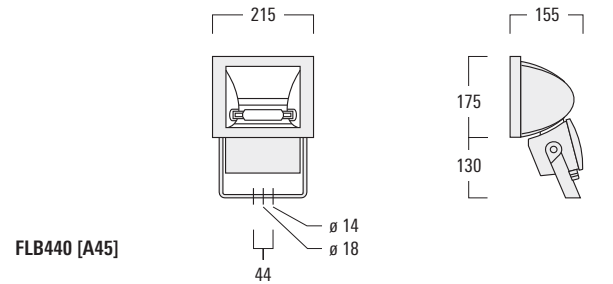


[A45]	Part ID	Light source	lm	cd/klm	C <sub>0</sub> C <sub>180</sub>	C <sub>90</sub> C <sub>270</sub>	kg
FLB440	161-9732 [HPF]	HIT-DE-CE 70W RX7s	6800	478	30°/22°	38°/38°	6.1
	161-9745 [ECG]	HIT-DE-CE 70W RX7s	6800	478	30°/22°	38°/38°	5.0
	161-9735 [HPF]	HIT-DE-CE 150W RX7s	14500	442	25°/26°	40°/40°	6.6
	161-9738 [HPF]	HST-DE-X4 70W RX7s	6800	518	27°/25°	40°/40°	6.1
	161-9741 [HPF]	HST-DE-X4 150W RX7s	15000	501	28°/22°	38°/38°	6.6
FLB460	161-9461 [HPF]	HIT-DE 250W Fc2	20000	381	37°/31°	53°/53°	14.1
	161-9464 [HPF]	HIT-DE 400W Fc2	36000	392	35°/33°	48°/48°	16.3
	161-9470 [HPF]	HST-DE 250W Fc2	25500	407	42°/27°	46°/46°	14.1
	161-9473 [HPF]	HST-DE 400W Fc2	48000	408	47°/22°	46°/46°	16.3
FLB480	148-9106 [IGN]*	HIT-LA-DE 1000W K12s-36/Cable	100000	381	27°/31°	53°/53°	16.4
	148-9108 [IGN]*	HIT-LA-DE 2000W K12s-36/Cable	220000	392	35°/33°	48°/48°	16.4

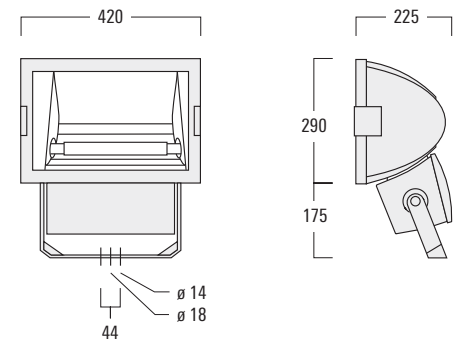
\* Remote HPF gear box made from marine-grade die-cast aluminium alloy or in pole HPF gear tray, to be ordered separately.



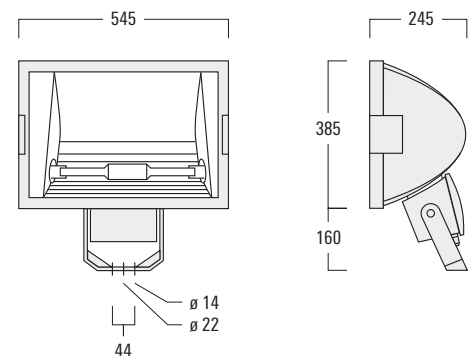
[A45]



FLB440 [A45]



FLB460 [A45]



FLB480 [A45]

## MOUNTING ACCESSORIES – FLB400 SERIES

Marine-grade aluminium construction. 5CE superior corrosion protection including PCS hardware. Powdercoat finish in RAL 9004, RAL 9006, RAL 9007 or RAL 9016.

<b>Short post</b>				kg
for FLB440 / 460	270-9038	EM1-M16	Short post	2.0
for FLB480	270-9039	EM1-M20	Short post	2.0

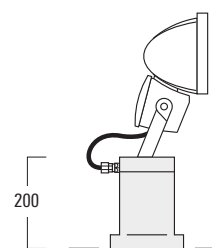
Matching planted root to be ordered separately:

<b>Planted root for short post</b>				kg
for FLB400 Series	300-0461	ESV4	Planted root	4.4

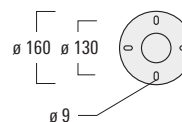
Galvanised steel

<b>Pole clamps</b>				D	kg
for FLB440 / 460	147-0543	TS1-2/M12	Pole clamp	76-89	1.4
	147-0526	TS1-2/M12	Pole clamp	102-114	1.5
	147-0544	TS1-2/M12	Pole clamp	114-133	1.7
	147-0545	TS2-2/M12	Pole clamp	76-89	1.4
	147-0527	TS2-2/M1	Pole clamp	102-114	1.5
for FLB480	147-0546	TS2-2/M12	Pole clamp	114-133	1.6
	147-0547	TS1-2/M12	Pole clamp	76-89	1.5
	147-0551	TS1-2/M12	Pole clamp	102-114	1.6
	147-0548	TS1-2/M12	Pole clamp	114-133	1.8
	147-0549	TS2-2/M12	Pole clamp	76-89	1.5
147-0552	TS2-2/M12	Pole clamp	102-114	1.6	
147-0550	TS2-2/M12	Pole clamp	114-133	1.7	

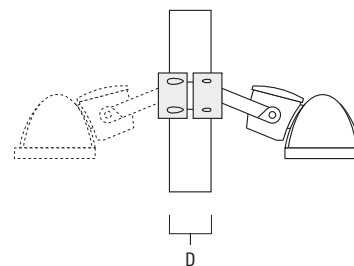
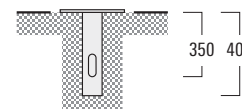
<b>Spigot caps</b>				D	kg
for FLB440 / 460	300-0198	KF1-M16	Spigot cap	60	0.5
	300-0201	KF1-M16	Spigot cap	76	0.5
	300-0203	KF1-M16	Spigot cap	89	0.5
	300-0207	KF1-M16	Spigot cap	108	0.5



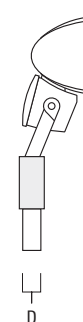
Short post EM1



Planted root ESV4



Pole clamp TS1/TS2

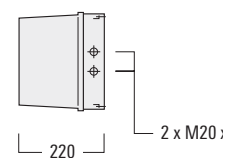
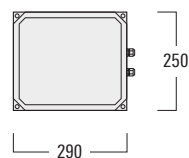


Spigot cap KF1

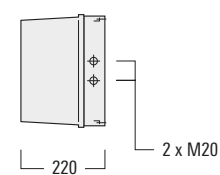
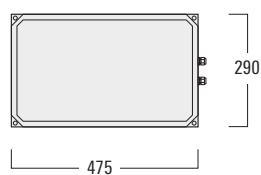
## ELECTRICAL ACCESSORIES – FLB400 SERIES

<b>Gear boxes</b>				kg
for HI 1000W	400-0121 [HPF]	DK5A	~ 230V / 9.30-9.60A	13.0
for HS 1000W	400-0126 [HPF]	DK5A	~ 230V / 10.30A	13.0
for HI 2000W	400-0271 [HPF]	DK6A	~ 400V / 9.60-11.30A	18.4

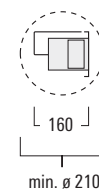
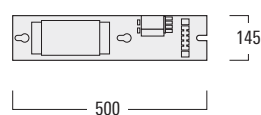
<b>In pole gear trays</b>				kg
for HI 1000W	400-0301 [HPF]	PT110 with 1 fuse D01	~ 230V / 9.30-9.60A	16.6
for HS 1000W	400-0173 [HPF]	PT110 with 1 fuse D01	~ 230V / 10.30A	16.6
for HI 2000W	400-0180 [HPF]	PT110 with 2 fuses D01	~ 400V / 9.60-11.30A	16.6



**DK5A**



**DK6A**



**PT110**

## OPTICAL ACCESSORIES

### Internal

**FLB141 / FLB440 / FLB460:** A maximum of two internal optical accessories.

The optical adaptor IA has to be ordered separately. Refer to accessories as marked\* to determine need for optical adaptor.

**FLB480:** A maximum of one internal optical accessory.

#### Flood lens IO-360\*

for FLB141 [E10]	161-9127
for FLB440 [M] [E] [E10]	161-9127
for FLB460 [M] [E] [E10]	161-9548

#### Wallwash lens IO\*

for FLB141 [E10]	161-9126
for FLB440 [M] [E] [E10]	161-9126
for FLB460 [M] [E] [E10]	161-9547

Colour filter IF**/**	red	green	blue	yellow
for FLB141	161-9131	161-9129	161-9128	161-9130
for FLB440	161-9131	161-9129	161-9128	161-9130
for FLB460	161-9552	161-9550	161-9549	161-9551

#### Horizontal louvre IL

for FLB440 [B] [M]	161-9116*
for FLB460 [B] [M]	161-9563
for FLB480 [B] [M]	148-9230

for FLB440 [E]	161-9113*
for FLB460 [E]	161-9544
for FLB480 [E]	148-9231

#### Linear source shield IQ

for FLB440 [E]	161-9117*
for FLB460 [E]	161-9555
for FLB480 [E]	148-9226

#### Internal optical adaptor IA

for FLB141	161-9115
for FLB440	161-9115
for FLB460	161-9546

### External

**FLB141 / FLB440 / FLB460:** A maximum of one external optical accessory.

**FLB480:** A maximum of three external accessories.

#### Flood lens EO-360

for FLB480 [M] [E] [E10]	148-9237
--------------------------	----------

#### Wallwash lens EO

for FLB480 [M] [E] [E10]	148-9236
--------------------------	----------

Colour filter EF**	red	green	blue	yellow
for FLB480	148-9240	148-9241	148-9242	148-9243

#### Wire guard EG

for FLB141	161-9118
for FLB440	161-9118
for FLB460	161-9556
for FLB480	148-9260

#### Glare shield ES

for FLB141	161-9121
for FLB440 [B] [M] [E]	161-9121
for FLB460 [B] [M] [E]	161-9558
for FLB480 [B] [M] [E]	148-9262

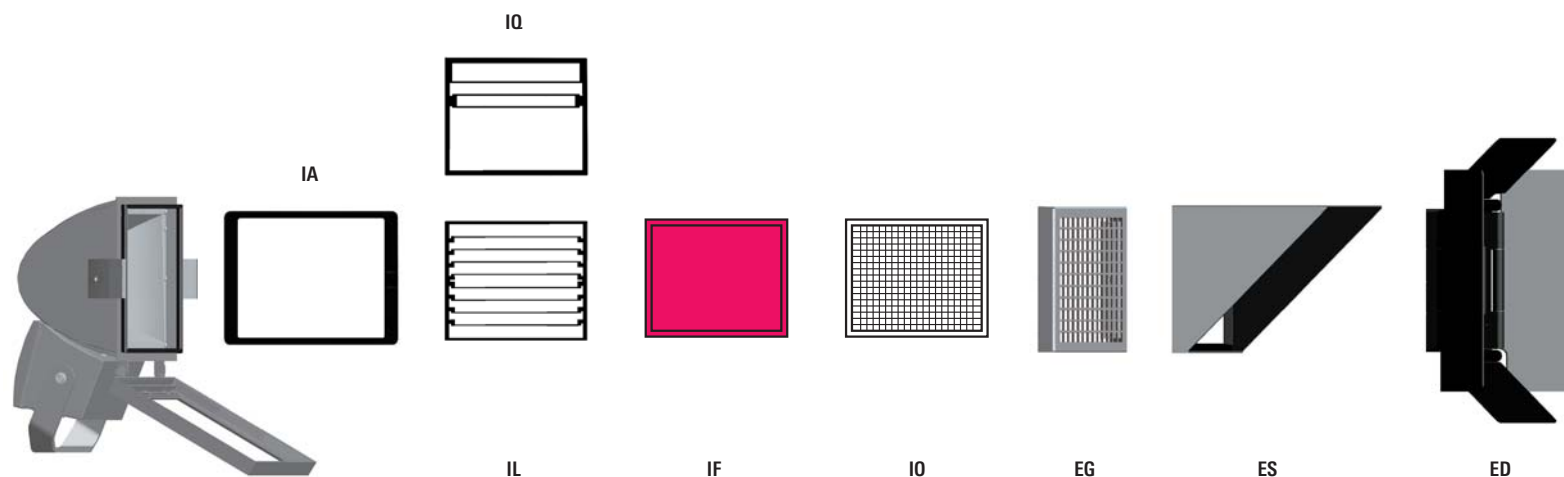
#### Barn doors ED

for FLB141	161-9119
for FLB440	161-9119
for FLB460	161-9557
for FLB480	148-9266

\* Requires optical adaptor IA which has to be ordered separately.

\*\* Dichroic colour filters, in combination with bi-symmetric or asymmetric reflectors, exhibit a pronounced 'rainbow effect'.

If this is not suitable, contact your local WE-EF representative for optional absorption colour filters.





Darwin Convention Centre. Darwin (AUS)