

RWM 500 Baling Press

Take control and convert your dry recyclable packing waste into manageable bales. Recyclers and industrial users of a Riverside vertical baler benefit from waste volume reduction; storage, handling and transportation savings; avoidance of ever-increasing landfill charges; the satisfaction of environmental benefits and even possibly the generation of an additional revenue yield.

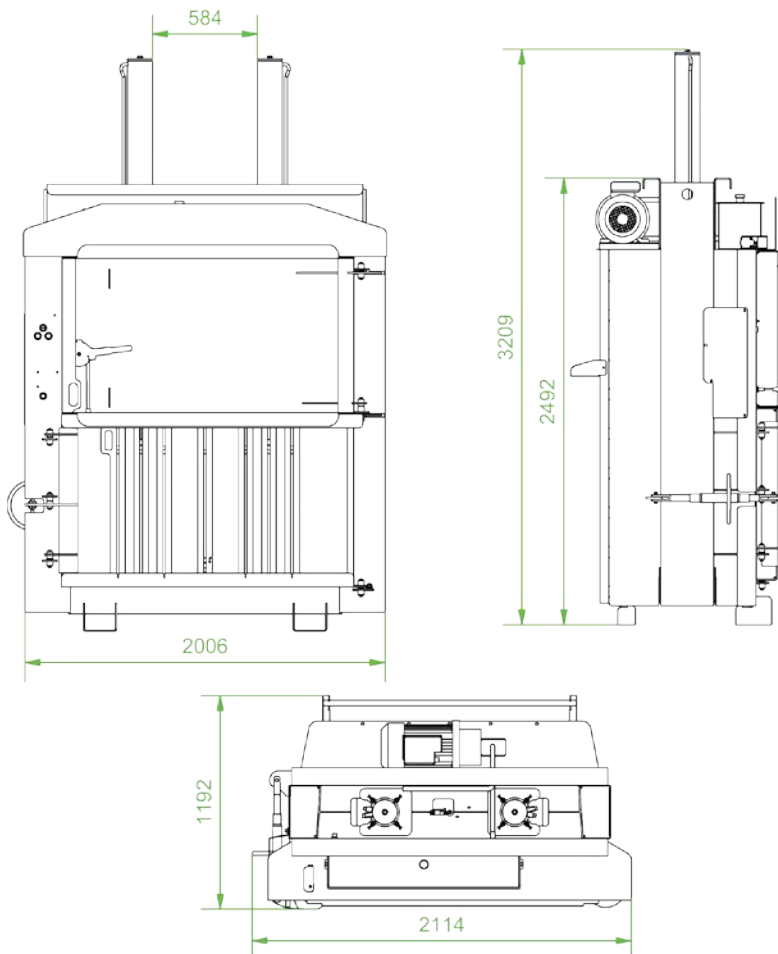
RWM 500 Baling Press

- ✓ 12 month warranty
- ✓ 1500mm wide feed aperture
- ✓ Can be sited outside
- ✓ Available in 32 amp 3-phase or 16amp single phase electrics
- ✓ 50 Tonne press force
- ✓ 5 wire tying for a secure bale
- ✓ Automatic bale ejection
- ✓ Bale weights up to 550kg
- ✓ CE approved
- ✓ Fitted retaining claws to prevent material spring back
- ✓ Powder coated finish for durability



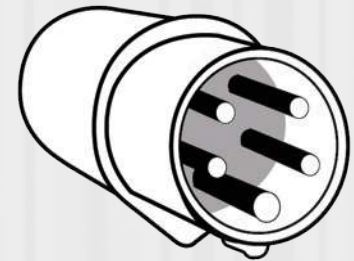
RWM 500 Baling Press

TECHNICAL SPECIFICATIONS



Press Force	50 Tonnes
Loading Aperture (H x W x D)	880 x 1500 x 769mm
Bale Weight	up to 550 Kg
Bale Dimensions (H x W x D)	1200 x 1500 x 769mm
Cycle Time	40 seconds
Noise	74 decibels
Machine weight	1650 Kg
Power Supply (kW-V-Hz)	32amp 3 Phase 11kW-400V-50Hz
Overall Dimensions (H x W x D)	3209 x 2115 x 1200mm
Optional Transportation Height	2500mm

M 500



Operating Voltage – 400v.

Frequency – 50hz.

32amp three phase five pin – A + N + PE

MCB (Minature circuit breaker) if fitted – Cat C or above.