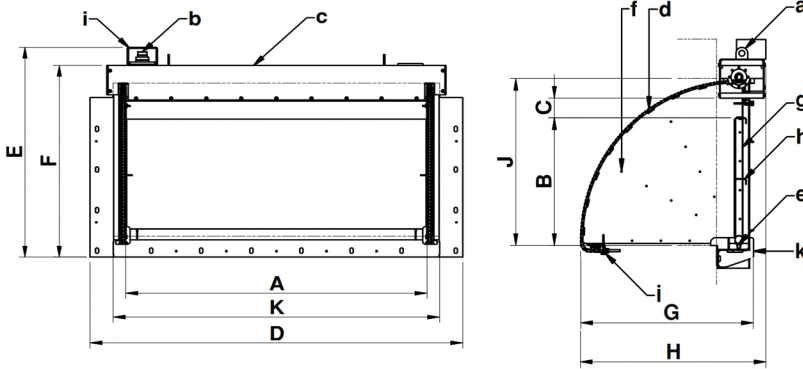


Tilting Weir

Accurate and reliable level control



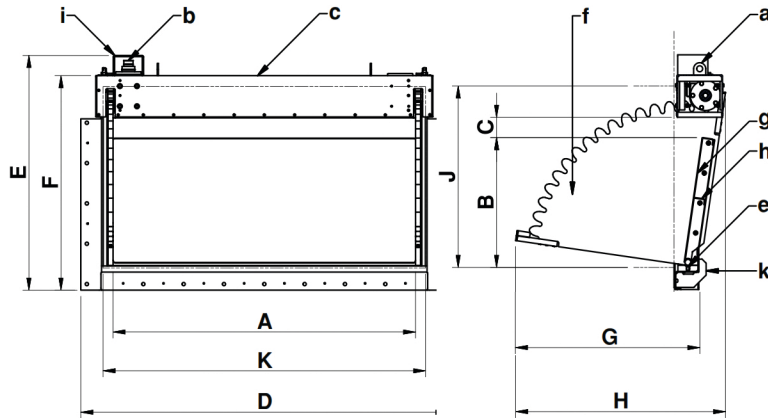
Stainless Steel Tilting Weir - KKS



← X ↑	A	B	C	D	E	F	G	H	J	K			
1000 x 600	1000	600	100	1360	1163	1063	924	948	800	1130	244	30	160
1500 x 600	1500	600	100	1860	1163	1063	924	948	800	1630	244	30	200
2000 x 600	2000	600	100	2360	1163	1063	924	948	800	2130	244	30	235
1000 x 800	1000	800	100	1360	1363	1263	1124	1133	1000	1130	304	30	285
1500 x 800	1500	800	100	1860	1363	1263	1124	1133	1000	1630	304	30	245
2000 x 800	2000	800	100	2360	1363	1263	1124	1133	1000	2130	304	30	285
1000 x 1000	1000	1000	100	1360	1563	1463	1324	1344	1200	1130	364	30	250
1500 x 1000	1500	1000	100	1860	1563	1463	1324	1344	1200	1630	364	30	295
2000 x 1000	2000	1000	100	2360	1563	1463	1324	1344	1200	2130	364	30	340
1000 x 1200	1000	1200	100	1360	1763	1663	1524	1546	1400	1130	424	30	300
1500 x 1200	1500	1200	100	1860	1763	1663	1524	1546	1400	1630	424	30	350
2000 x 1200	2000	1200	100	2360	1763	1663	1524	1546	1400	2130	424	30	405

- | | | | |
|-------------------------|--------------------------|-------------------------|---------------------------|
| a - Lifting hooks | a - Crochets | a - Hebehacken | a - Hjsogen |
| b - half moon connector | b - Connection demi-lune | b - Halbmond Bedienung | b - Bedienpunt halve maan |
| c - Top member | c - Traverse | c - Brücke | c - Bovenbrug |
| d - Drive chain | d - Chaîne propulsion | d - Spannkette | d - Spankelling |
| e - Seal | e - Joint profilé | e - Gummidichtung | e - Liprubber |
| f - Side cheeks | f - Flancs | f - Seitenwand | f - Zijwangen |
| g - Moving plate | g - Plaque | g - Platte | g - Klepplaat |
| h - Reinforcement rib | h - Renforts | h - Rippen | h - Verstevingsrib |
| i - Actuator bracket | i - Portant mouleur | i - Antriebsbefestigung | i - Motorstoel |
| j - Chain tensioner | j - Tendeur du chaîne | j - Kettenspanner | j - Kettingspanner |
| k - Frame | k - Cadre | k - Rahmen | k - Frame |

Stainless Steel and HDPE Tilting Weir -KKS-PE



← X ↑	A	B	C	D	E	F	G	H	J	K			
1000 x 600	1000	600	100	1320	1163	1063	931	1041	900	1100	113	30	140
1500 x 600	1500	600	100	1820	1163	1063	931	1041	900	1600	113	30	170
2000 x 600	2000	600	100	2320	1163	1063	931	1041	900	2100	113	30	205
1000 x 800	1000	800	100	1320	1363	1263	1131	1241	1100	1100	145	30	165
1500 x 800	1500	800	100	1820	1363	1263	1131	1241	1100	1600	145	30	205
2000 x 800	2000	800	100	2320	1363	1263	1131	1241	1100	2100	145	30	245
1000 x 1000	1000	1000	100	1320	1563	1463	1331	1441	1300	1100	177	30	200
1500 x 1000	1500	1000	100	1820	1563	1463	1331	1441	1300	1600	177	30	240
2000 x 1000	2000	1000	100	2320	1563	1463	1331	1441	1300	2100	177	30	285
1000 x 1200	1000	1200	100	1320	1763	1663	1531	1641	1500	1100	209	30	235
1500 x 1200	1500	1200	100	1820	1763	1663	1531	1641	1500	1600	209	30	280
2000 x 1200	2000	1200	100	2320	1763	1663	1531	1641	1500	2100	209	30	335

- | | | | |
|-------------------------|--------------------------|-------------------------|---------------------------|
| a - Lifting hooks | a - Crochets | a - Hebehacken | a - Hjsogen |
| b - half moon connector | b - Connection demi-lune | b - Halbmond Bedienung | b - Bedienpunt halve maan |
| c - Top member | c - Traverse | c - Brücke | c - Bovenbrug |
| d - Drive chain | d - Chaîne propulsion | d - Spannkette | d - Spankelling |
| e - Seal | e - Joint profilé | e - Gummidichtung | e - Liprubber |
| f - Side cheeks | f - Flancs | f - Seitenwand | f - Zijwangen |
| g - Moving plate | g - Plaque | g - Platte | g - Klepplaat |
| h - Reinforcement rib | h - Renforts | h - Rippen | h - Verstevingsrib |
| i - Actuator bracket | i - Portant mouleur | i - Antriebsbefestigung | i - Motorstoel |
| k - Frame | k - Cadre | k - Rahmen | k - Frame |

Aquatic Control Engineering Ltd
01777 249080
info@aquaticcontrol.co.uk

Head Office
Hall Farm
Main Street
Rampton
Retford
Nottinghamshire
DN22 0HR