

Up to 210 bar - 95 lpm


Operation

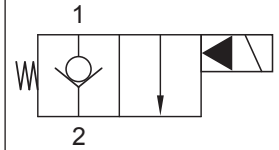
This is a solenoid operated 2 way normally closed poppet valve which is typically used to lock a load in position. When energised the poppet opens and releases the load from 1 to 2. De-energised the valve allows free flow from 2 to 1.

In the energised position it should be noted that 2 to 1 flow is restricted to only a pilot flow rate. If free flow is required in both directions when energised, valve type S2B should be used.

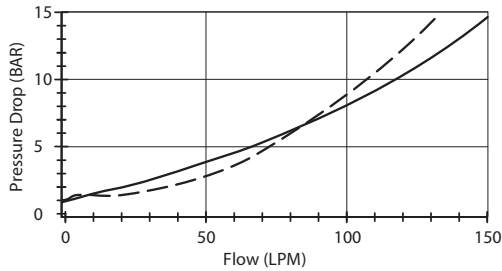
This valve can also be used as a directional valve.

Manual override options available.
Features

- Hardened parts for long life.
- Efficient wet-armature construction.
- Cartridges are voltage interchangeable.
- Manual override options.
- Industry common cavity.
- Unitised, molded coil design.
- Continuous duty rated solenoid.
- Optional coil voltages and terminations.
- Optional "I" Coil: Weatherproof, Thermal, Shock, Immersion Safe.

Symbol

Performance

32 cSt / 38°C.



- - - Port 1 to 2 (eng) ——— Port 2 to 1 (de-eng)

Specifications

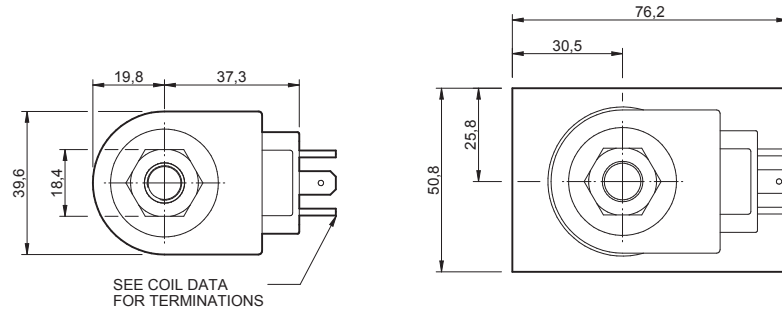
Nom. Flow (lpm)	95
Max. pressure (bar)	210
Internal Leakage (32 cSt)	0 to 0.25 cc/min at 210 bar
Hydraulic oil	General purpose hydraulic fluid
Viscosity Range	3 to 640 cSt
Filtration	ISO 18/16/13
Operating temp.	-40 to 120°C
Voltage	DC / AC (see coil data page Coil-D)
Cartridge Torque	95 Nm
Coil Nut Torque	5 to 8 Nm
Cavity	TT12-2 (see cavity data page CAV-TT12-2)
Spare Seal Kit (Viton)	SK-DTTVHA
Weight - Cartridge only	0.22 kg
Weight - Cartridge + Coil	0.55 kg
Weight - Cartridge + Coil + Body	1.13 kg (alum) 2.21 kg (steel)

Energisation Chart

Solenoid	Flow Direction	
	1 → 2	2 → 1
De-energised	Load holding	Free flow
Energised	Free flow	Restricted flow

Dimensions

[mm]



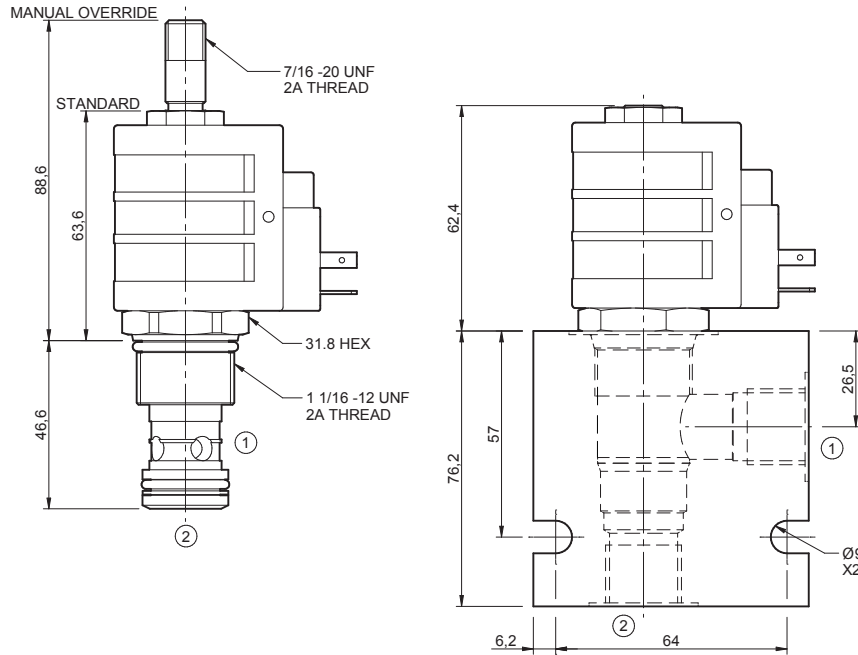
To Override

Detented Version
Pull & Twist

Non-Detented Version
Pull (spring return)

Coils can be fitted in **any orientation.**

Refer to data sheet **Coil-D** for coil options.



Ordering Code

D-TTS2A

**** ** * * ***

Options
00 - Nitrile
V0 - Viton
A0 - Nitrile, screen
W0 - Viton, screen

Coil termination
DL - Double lead
DS - Double spade
HC - EN 175301-803*
CL - Conduit lead
'I' coils (12 & 24 volts only) weather/immersion proof (IP69)
IA - AMP superseal
ID - Deutsch
IJ - AMP Jr. Timer
IM - Metripak
Options - See page Coil-D
Omit if coil is not required

Voltage
12 - 12 Vdc
24 - 24 Vdc
48 - 48 Vdc
25 - 24 Vac
11 - 110 Vac
23 - 250 Vac
Options - See page Coil-D

Port size (BSP)
C - 1/2"
D - 3/4"
Options - See page B-DHT

No. of ports
2 - 2 ports
Options - See page B-DHT

Body material
A - Aluminium
S - Steel
For pressures over 210 bar use steel.

*Formerly DIN 43650 Hirschmann connector.