

agility • safety • efficacy • technology • quality



Domestic Lift

Vertical elevation platform

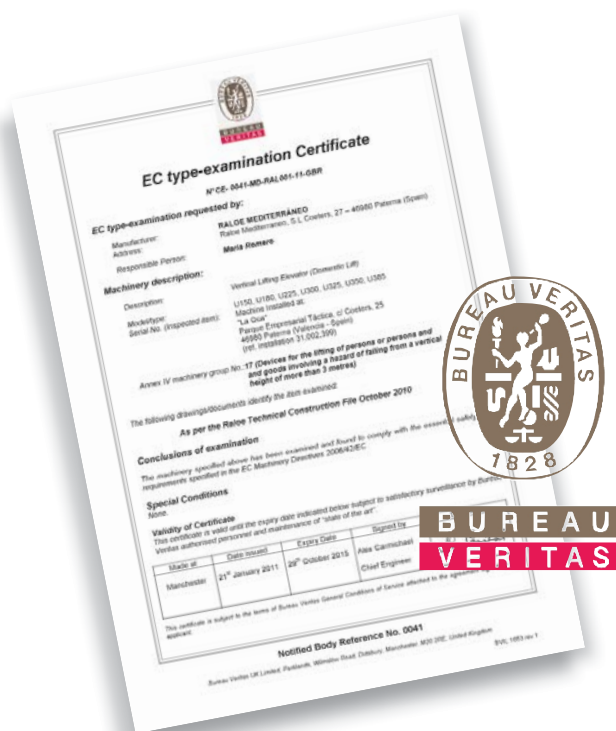


By professionals,
for professionals



Our star product

This is a personal lift that can be installed either in homes or at the workplace. The hydraulic equipment is exclusively designed for carrying people, providing an unprecedented level of comfort. In addition to complying with European Regulation 81.41, it also guarantees maximum safety.



• Advantages

Maximum safety: we have extensively studied its structure in order to guarantee the lift safety levels.

Custom-designed to meet your needs: we offer a wide range of models to ensure that the finishes meet your specific needs.

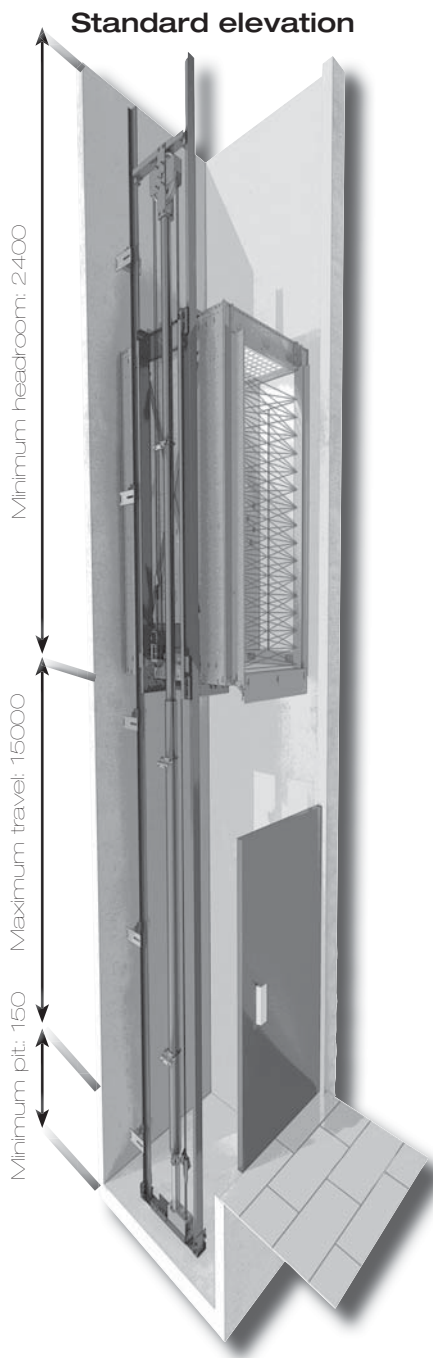
Energy efficiency: it operates with any household socket and incurs minimal expenses, consuming as much energy as a hairdryer.

Optimisation of space: takes advantage of up to 70% of the shaft for the lift car.

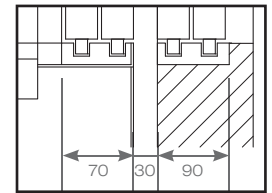
Emergency: equipped with a rescue system that enables the evacuation of people in case of a power outage.

Gearless: Ask us for the new Gearless DomesticLift

Technical Information



Sill



Minimum pit	150 mm.
Maximum travel	15.000 mm.
Minimum headroom	2.400 mm. ⁽¹⁾

⁽¹⁾In case the car is supplied without doors.

Obligatory prefabricated cupboard (Model E400) or Machine room.

General specifications

Hidraulic indirect acting	2:1
Speed	0,15 m/s
Car frame	UF-400
Car rail guides	T70
2 ropes Seale	10x19+1

Interesting data

Unlocking zone	100 mm.
Upron height	100 mm.

Car operating panel

Vertical plate, horizontal or column shaped.

Operating panel elements

- Push buttons on landings: In case the car has no doors, they will have to be continuously pressed in order to move the domestic lift.
- Alarm button.
- Stop button.
- Restricted use of key switch. Without key switch the lift does not work.
- Lift specifications plate.

Landing operating panels

Supplied with push button or with a key switch.

Communication system

Own home landline telephone set.

Public buildings

Bidirectional communication.

Guarantee

CE Type test.

Directive 2006/42/CE Harmonised standards

EN-ISO 12100-1
EN-ISO 12100-2
EN-14121-1
EN-60204
EN-81-41
EN-12015/12016

Manufacturing declaration for car.

Manufacturing declaration for hydraulic lift frames.

Certificates according to component standards:

- Landing doors lock.
- Safety gear valve.
- Instant safety gear IT 100 - S.
- Fire door tests.
- Hydraulic hose test certificates.

Safety

Detection system

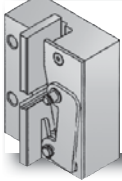
Security detection system installed on the lowest floor door. Will operate when using the emergency key, driving the contact switch which avoids the car motion and **roof jamming**.

Auto levelling system



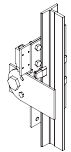
Avoids height differences between car and landing floors.

Instantaneous safety gear system



Certified device acting in case of breakage of one of the two ropes, taking care of user's safety.

Mechanic stop in pit and headroom.



Placed in the guide, it shall decline not more than entering the pit or rise to the car ceiling in order to stop so that car can be caught in the pit or in the headroom by the maintainer.

Safety Gear Valve



Hydraulic equipment is provided with a certified valve, acting instantaneously in case of leak or breakage of the hydraulic circuit.

Stop button in pit



To **stop** electrical flow before entering the shaft.

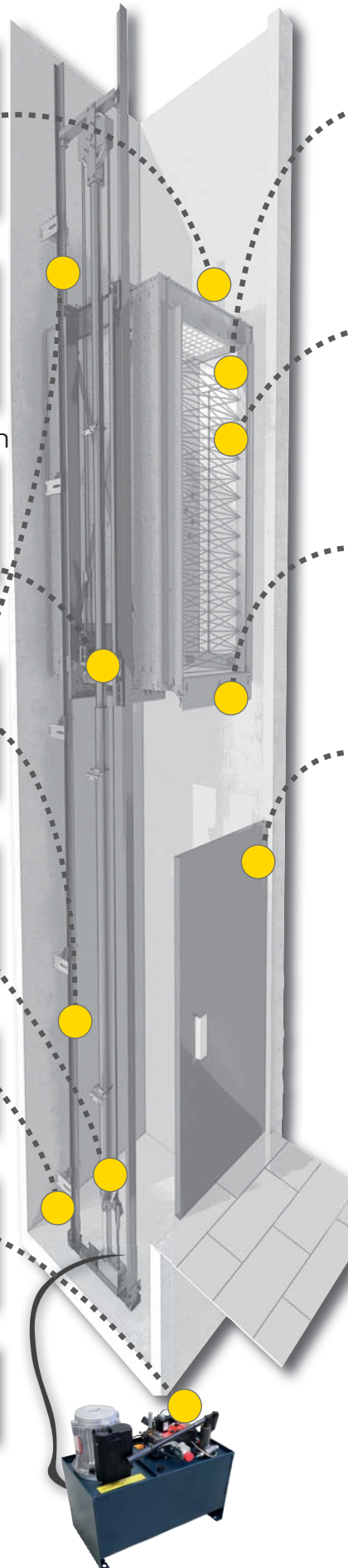
Overweight pressure switch



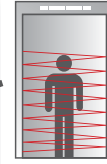
Installation includes a pneumatic pressure switch with an acoustic buzzer avoiding car motion in case of overweight.

Machine room

In case of no space in the building for the machine room, a cabinet can be provided. Perfect for reduced spaces and easy to install.



Safety without doors



Without doors in car a light curtain avoids the car to start or stops its movement, if it detects an obstacle in the working zone.

Door safety



With automatic car and landing doors a photocell avoids user to be hit by the door.

Security upon



Security upon in lift car avoids shaft trapping.

Detection system

Security detection system installed on the lowest floor door. Will operate when using the emergency key, driving the contact switch which avoids the car motion and **shaft jamming**.

Floor lowering security system

In case of a power outage, the emergency light in the car turns on. The passenger can get off at whatever inferior level, pushing the button of the desired level.

Comfort

Silent contactors

We offer the possibility to add silent contactors in the electrical board.



Motor

It's offered the possibility to have the motor submerged in oil to reach a noise reduction of 6 Db.

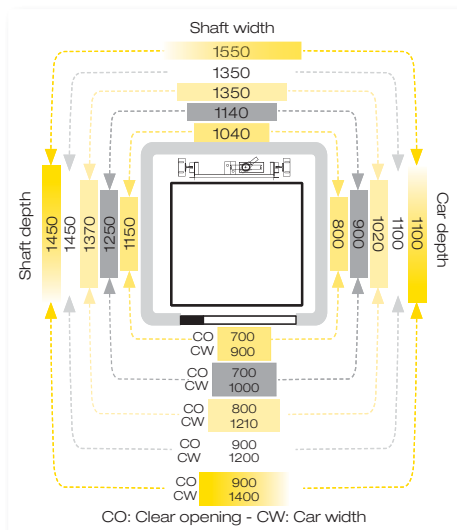
2 speed motor (0,15/0,0375), for a better stop comfort.

Double security valve

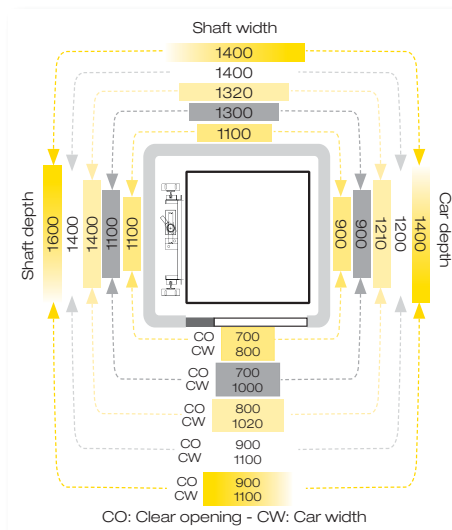
Hydraulic kit with double valve system to avoid car uncontrolled movements in case of mechanical failure of the main valve.

Drawings of landing

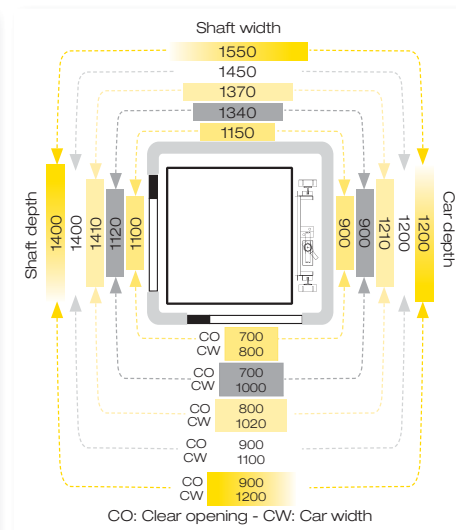
1 Entrance back car frame
Semi-automatic door



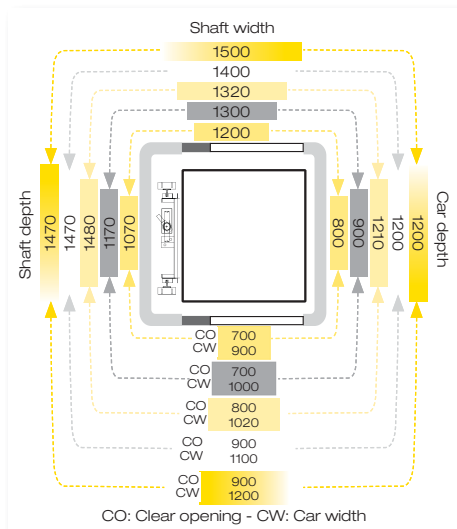
1 Entrance side car frame
Semi-automatic door



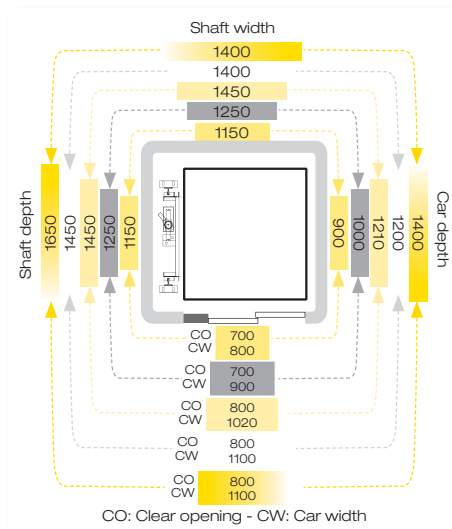
Double entrance 90° side car frame
Semi-automatic door



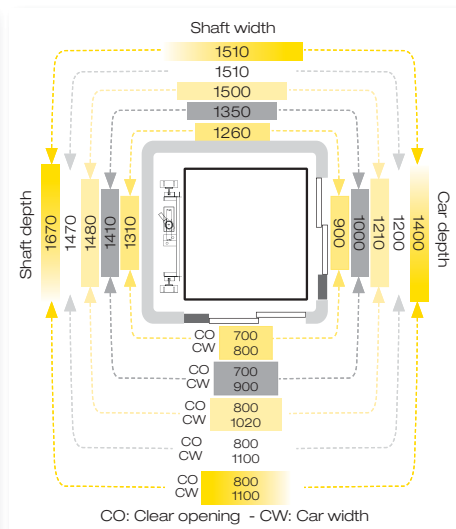
Double entrance 180°
Semi-automatic door



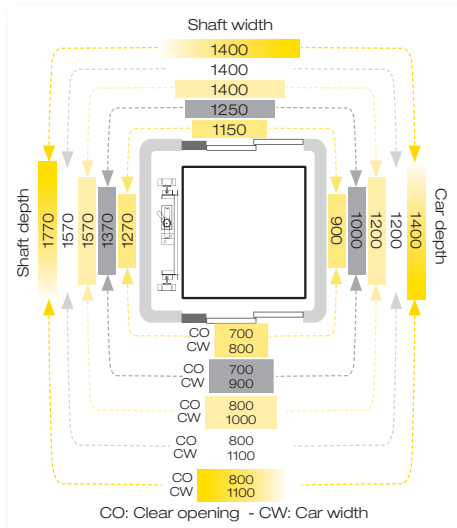
1 Entrance side car frame
Automatic door*



Double entrance 90° side car frame
Automatic door*



Double entrance 180°
Automatic door*



180 Kg	
225 Kg	
325 Kg	
350 Kg	
385 Kg	

* 3 panels side opening in case of 180kg, in other loads 2 panels side opening

Decoration



Ceilings

Perforated plate



Type 3



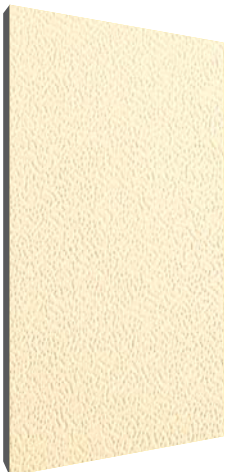
Type 4



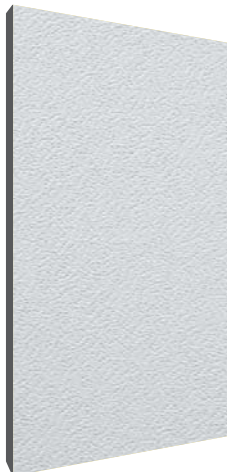
Type 5

Panels

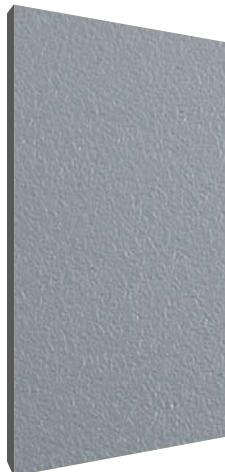
Skinplate



Creme



Grey

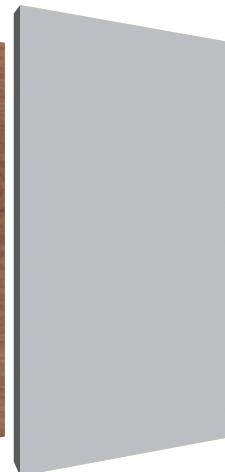


Stainless Steel

Melamines



Cherry tree



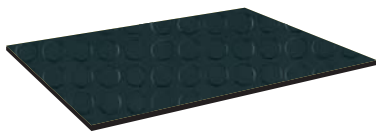
Grey



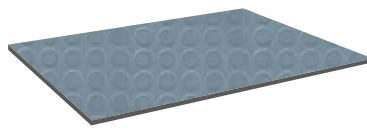
Beech

Floors

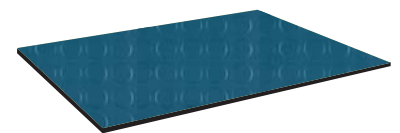
Rubber circles



Black



Grey

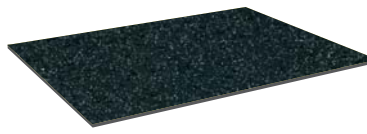


Blue

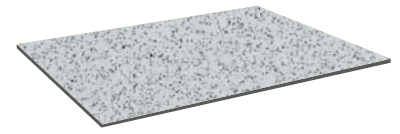
Nonslip rubber



Beige

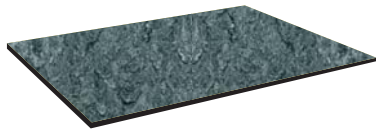


Black

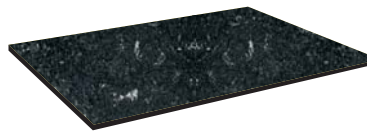


Grey

Linoleum



Dark Grey



Black

Stainless Steel



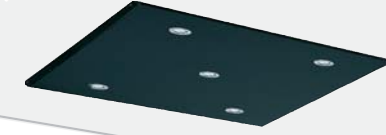
Teardrop Plate

Notice: Possibility of delivery of car with galvanized sheet for its complete decoration.

Shaded glass



Skinplate with halogen lights



Stainless steel with halogen lights

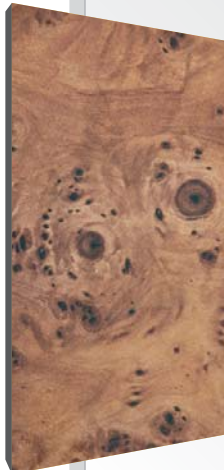


Polished stainless steel or satin.
Option LED

Laminado



Beech



Ambar Erable



Blue China

Stainless Glass



Satin



Entire panel



Vinyl

Granit



Porriño pink



Cristal white



Pearl grey

Pergo (wood)



White Pine



Dark Poplar Bark

Aluminium

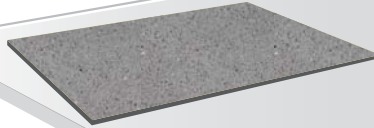


Damero

Silestone



Dafne beige



Expo grey



Stellar black

Imagine

Car operating panel (C.O.P.)

Epsilon series



Glass



Handrail type



B50 series



Retro position indicator



Buttons



Bas 120



Epsilon



B 50 Q
(50 x 50 mm)



B 50 R
(50 x 50 mm)

Handrail



Tubular curved skinplate



Tubular curved stainless steel



Tubular straight
(to be placed only in front of the entrance)

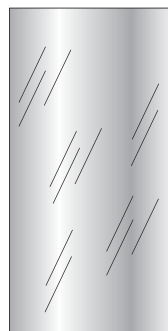
Mirrors



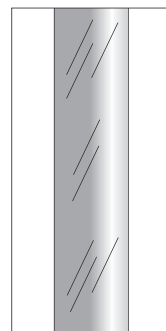
1/2 height



3/4 height



Complete



Vertical slat

Stainless steel finishing.
*Ask for other finishing (dressed white, bronze)

Doors

Semiautomatic



 Vision panel



 Big vision panel



 Complete glass

Automatic



 Primed, *
stainless steel



 Big vision panel

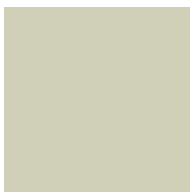


 Folding door
Big vision panel



 Complete glass
stainless steel frame

Door finishings



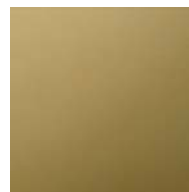
 RAL 7032**



 Stainless steel
satin



 Stainless steel
pigskin



 Stainless steel
gold

* The prime of the doors allows repainting according to the home decoration.

** Availability of different RAL colours. Please ask.

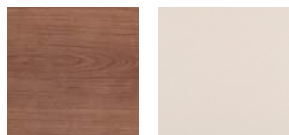
The customer can integrate the landing operating panel in the wall.

Car options

M03 - L03



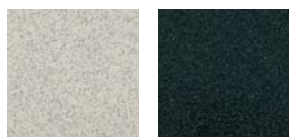
Walls



Cherry Tree
Melamine

Formica
Seringa 2273

Floors



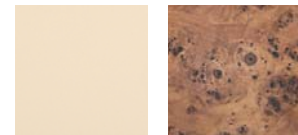
Nonslip rubber
beige

Nonslip rubber
black

Panoramic



Walls



Melamine
creme

Formica
Ambar Erable

Floors



Nonslip rubber
beige

Linoleum
dark grey

I01



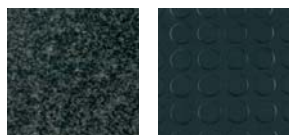
Walls



Satin steel
stainless

Gold steel
stainless

Floors



Granit black
South Africa

Rubber circles
black

Elegance



Walls



Formica
Stony Sand

Formica
Beech

Floors



Dark Poplar
Bark

Silestone
Dafne beige

S01



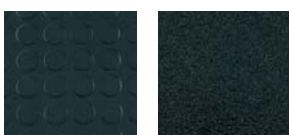
Walls



Skinplate
grey

Skinplate
creme

Floors



Rubber circles
black

Nonslip rubber
black

Ocean



Walls



Green steel
stainless

Gold steel
stainless

Floors



Silestone
Expo grey

Silestone
North white

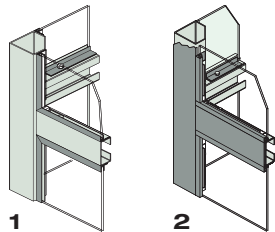
Structures

The structures for elevators provide us with a standardization and flexibility which entails certain advantages:

- **Standardization:**
 - Simple and swift installation process.
 - Swift and punctual delivery.
- **Flexibility:**
 - Adaptability to different types of installations and buildings, with structural liberty.
 - Wide range of finishing (stainless steel, zinc coating, galvanizing, etc). There are also standard finishing for glass and metal (matt or glossy finishing).
 - Wide colour spectrum with powder coating (epoxy).
 - Solutions according to the necessities of the customer.

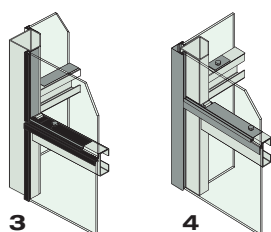
- **Enclosures:**

Inside



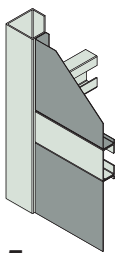
- 1. Frame steel sheet / aluminium
- 2. Frame steel sheet / aluminium + Cladding structure

Outside



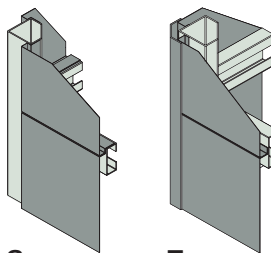
- 3. Frame steel sheet / aluminium
- 4. Frame steel sheet / aluminium + Cladding structure

Inside



- 5. Continuous enclosure

Outside



- 6. Continuous enclosure
- 7. Continuous enclosure + Cladding structure

- **Colours:**

Availability of diferent RAL colours. Please ask.



Speciali Model



R2 Model

- **Standard Finishing:**

Glitter finishing (matt)

Glossy finishing





Wheelchair Platform
Lift Specialists
Built to blend with
the environment

Simply Access Ltd
PO Box 2253, Salisbury, SP2 2FZ

Tel/Fax: 01794 884026
Mobile: 07898 283529 // 07894 245594

Email: chrismann@simplyaccesslifts.co.uk

www.simplyaccesslifts.co.uk