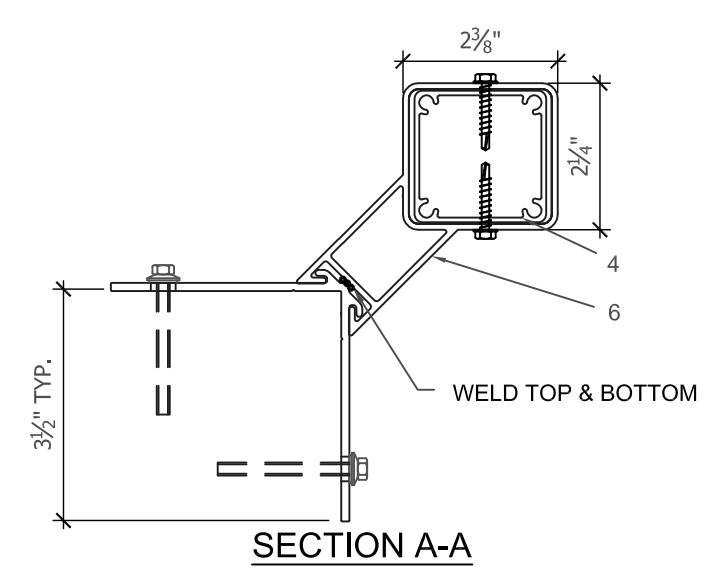
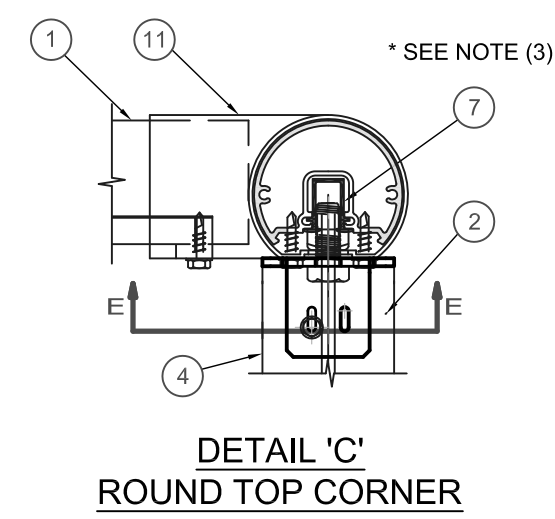


FASCIA CORNER BRACKET DETAIL



SECTION A-A



DETAIL 'C' ROUND TOP CORNER

PARTS LIST	
ITEM	DESCRIPTION
1	2 1/4" SQUARE □ OR ROUND TOP □ RAIL (CHECK CORRECT BOX)
2	RAIL/POST CONNECTOR C/W 3/8" Ø NUT AND BOLT TO RAIL & (2) - #8 X 1/2" SCREWS TO POST
3	TEMPERED GLASS PANEL 5mm THK. IN CANADA □ OR 1/4" THK. IN USA □ (CHECK CORRECT BOX)
4	2" STANDARD ALUMINUM POST
5	BOTTOM GLASS CHANNEL W/ (2)-#8 X 1/2" PAN HEAD SHEET SCREWS TO BLOCK
6	FASCIA CORNER BRACKET (2" POST) C/W (4) - 5/16" Ø X 4" LAG SCREW INTO WOOD OR (4) - 3/8" Ø X 3" KWIK BOLTS II ANCHORS INTO CONCRETE AND TO POST W/ (4)-#12 X 1" HEX HEAD SCREWS C/W SHEET METAL THREADS AND 1/4" SHANK
7	TOP GLAZING GASKET
8	BOTTOM GLAZING GASKET
9	(NOT SHOWN)
10	(NOT SHOWN)
11	TOP RAIL EXTERNAL CORNER SLEEVE
12	CHANNEL BLOCK C/W (2)- #10 X 1 3/4" SCREWS TO POST

NOTES:
 (1) BUILDING GENERAL CONTRACTOR IS RESPONSIBLE FOR PROVIDING ADEQUATE BACKING IN WALLS AND FLOORS TO AFFIX TO THE BUILDING THE ALUMINUM GUARDRAIL LAYOUT DEFINED IN THESE DRAWINGS
 (2) ITEM #1 FITS INSIDE ITEM #11 ; ITEM #2 FITS INSIDE ITEM #4 ; ITEM #12 SNAPS INSIDE ITEM #5
 (3) TOP & BOTTOM GLAZING GASKETS SNAP INTO THE TOP RAIL AND BOTTOM GLASS CHANNEL RESPECTIVELY.

Manufactured by...
vista pro
 23282 River Road, Maple Ridge, BC, Canada, V2W 1B6
 Phone: 604-467-5147 info@vistarailings.com
 Fax: 604-467-1197 www.vistarailings.com

PROJECT:
PROJECT NAME
 CLIENT:
CLIENT NAME

LOCATION:
ADDRESS
CITY

ALUMINUM GUARDRAILS			
DRAWN	RK	PROJECT No	YEAR / No
DESIGNED	RDH	CHECKED	RDH
SCALE	NTS	CHECKED	DATE

PLEASE NOTE: These drawings are for general guidelines only and are not stamped engineered shop drawings. It is important that for any project or site specific applications and requirements, shop drawings must be created and stamped by a Professional Engineer.

FASCIA MOUNT 2.0 POST GLASS GUARD CORNER
 DRAWING No
FGC2.0