

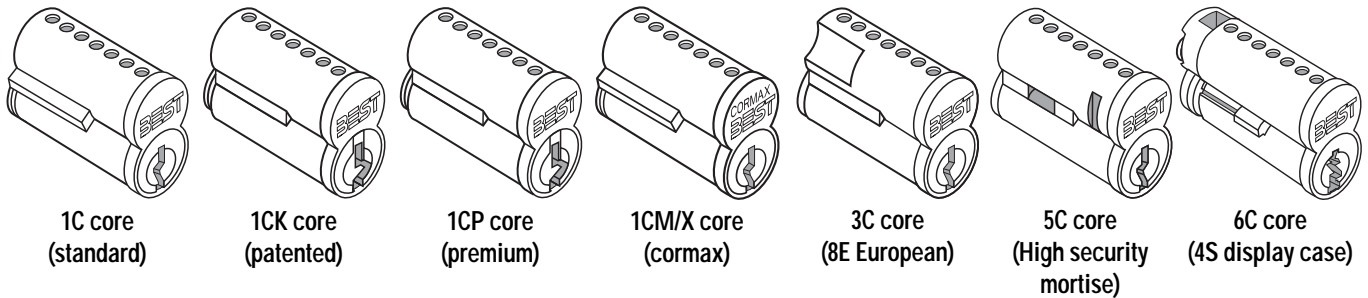
# MISCELLANEOUS

**STANLEY**<sup>®</sup>  
Security Solutions

TABLE OF CONTENTS		Page	Page
C Series – Cores.....	2	2S Series – Sliding Door Lock.....	4
Patented Keying System.....	2	3S Series – Sliding Panel Lock.....	5
2J Series – Semi-Trailer King Pin.....	3	4S Series – Sliding Door Cylinder.....	5
2P Series – Push Lock.....	4	KRD Series – Key Retaining Devices.....	6, 7



**C SERIES – CORES & SPECIAL APPLICATION CORES**



**HOW TO ORDER: C SERIES**

1C	7	A	1		606
Core Type	Core Size	Keyway Code	Combination Code	Options	Finish
1C– standard	5– 5 pin (1C only)	Designate specific keyway (A, E, etc.)	1– uncombined 2– combined	B*– pick & drill resistant (1C only) K*– key trap T*– deadlocking (6C only)	605 606 612 613 625 626
1CK– patented	6– 6 pin (1C, 1CK only)				
1CP– premium	7– 7 pin				
1CM– Cormax-M series					
1CX– Cormax-X series					
3C– for 8E cylinder					
5C**– high security					
6C– for 4S cylinder					

\*Extra cost option.  
\*\*Long blade key required. If combined, you must specify keymark and number of keys.

**CORMAX™ PATENTED KEYING SYSTEM**

BEST® CORMAX™ is the premier patented keying system offered by Stanley Security Solutions. CORMAX will meet your needs for security, key control, and convenience. A simple solution with no compromising allowed.

CORMAX is the upgrade path for existing BEST Standard, Premium, and MX8 customers; and it is an essential element of non-residential access control as security administrators strive to eliminate the unauthorized duplication of keys.



**CORMAX™  
Patented Keying System**

CORMAX offers the following features and benefits:

- A long-term US utility patent that guarantees the extended useful life of the system through 2027.
- A second, independent locking mechanism that utilizes a patented set of built-in side pins to provide higher security.
- Several levels of geographical exclusivity, including national exclusivity, are available via the patented side pin feature.
- CORMAX cores and keys are available exclusively through Stanley sales offices. Key blanks are only sold to individuals authorized by the customer to ensure key blanks do not end up in the possession of unauthorized personnel either inside or outside the customer's facility.
- CORMAX cores are certified to meet the security, safety, and reliability requirements of BHMA A156.5 Grade 1.
- Picking and drilling resistance options are available if higher levels of security are desired.
- Complete factory masterkeying service offered, and at no charge with purchase of BEST locksets and PHI exit devices.
- Keyways are organized in families of four keyways each, with double-milled and quad-milled key levels to facilitate the design of masterkey systems in multi-building campuses.
- BEST CORMAX cores are compatible with all existing BEST interchangeable core housings, eliminating the need for new or modified locksets.

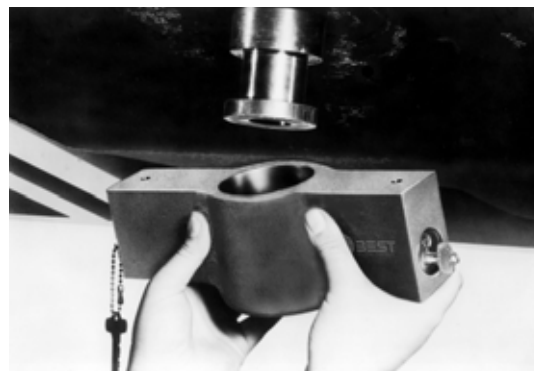


**J SERIES  
SEMI-TRAILER KINGPIN LOCK**



**2J7L11**

Single latch armored kingpin lock operated by single key.



**2J7L21**

Double latch armored kingpin lock requires two separate authorized keys to open.

**Operation**

The semi-trailer lock, locks onto the kingpin on a dropped semi-trailer to prevent hookup. The lock is automatically secured when pushed onto the kingpin and the key(s) can be withdrawn only in the locked position. Bright red finish signals driver not to back into lock. The deadlocking bolt functions listed below (D11, D21) feature a deadlocking bolt controlled by key to prevent bolt(s) from being shimmed or jimmied. A key is necessary both to secure and remove deadlocking bolt models.

**Specifications**

**Case**– Structural steel, machined solid steel head(s) heliarc welded to center body.

Single head 8" x 8 3/4" x 4", weight approx. 15 lbs. Double head 11 1/2" x 3 3/4" x 4". Weight approx. 19 lbs.

**Latch projection**– 15/32"

**Cylinder(s)**– Brass with interchangeable core

**Finish**– Case, bright red crinkle finish; cylinders and cores 606

**Armored front protection**– Standard. Cylinder and core protected with hardened steel plate. Requires long blade key.

Optional extended block (without armor package) to protect cylinder.

**Warning Flag Assembly**

Includes eyebolt, snap, chains and danger flag. Hole in housing predrilled for attachment.

Specify 2JOF1



**2JOF1  
with flag**

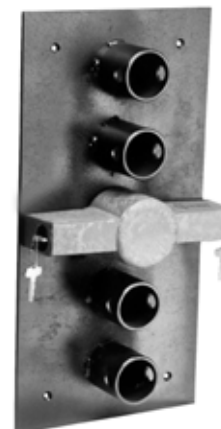
**Semi-Trailer Kingpin Storage Rack**

Mounts on wall. Holds 3 or 5 kingpin locks. Requires key to remove locks. Black finish standard. Plated corrosion-resistant finish available.

Three-post mount 2JOR3 (2JOR3C-plated).

Five-post mount 2JOR5 (2JOR5C-plated).

Specify finish with order.



**Semi-Trailer  
Kingpin Storage Rack**

**HOW TO ORDER: J SERIES**

2J	7	L11	
Series	Core Housing	Function Code	Options
2J– standard body	7-pin housing accepts all Best cores	L11– single latch type L21– double latch type D11– single deadlatch type D21– double deadlatch type	TA– extended block without armor

Must specify key mark and number of keys or designate L/C for less core.

**2P SERIES:  
PUSH LOCKS FOR FILING CABINETS**

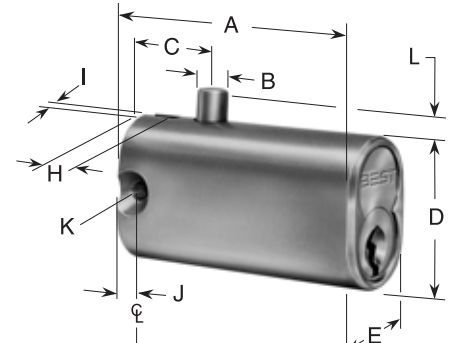
**Specifications**

**Material**– Parts are solid brass; phosphor bronze springs.

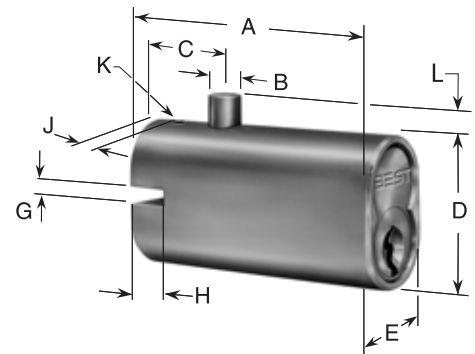
**Dimensions**– See illustration and table.

**Finish**– 2P series 626 (satin chrome) standard finish.

The 2P series incorporates the BEST interchangeable core and requires special cabinet preparation. It may be keyed individually, keyed alike, masterkeyed or grand-masterkeyed with other BEST removable core products.



2P73 Vertical Mounting Slot



2P74 Horizontal Mounting Slot

Dimensions in inches												
Vertical Mounting Slot												
	A	B	C	D	E	F	G	H	I	J	K	L
2P73 (7Barrel)	2 5/32"	1/4"	19/32"	1 1/8"	3/4"			5/16"	1/8"	5/32"	#6-32	5/32"
Horizontal Mounting Slot												
2P74 (7Barrel)	2 5/32"	1/4"	19/32"	1 1/8"	3/4"	5/16"	1/8"			5/32"	#6-32	5/32"

2P	7	E	1	626
Series	Lock Housing	Keyway	Combination Code	Finish
2P- file	7- 7-pin body may be keyed 6-pin	Designate specific keyway	1- uncombined 2- combined	626

**2S SERIES  
PUSH LOCK FOR SLIDING DOORS**

**Specifications**

**Case**– Extruded brass

**Width**– 1 1/2"

**Thickness**– 23/32"

**Inside Face Plate**– 2 3/4" x 7/8" ; hole spacing 1 7/8"

**Detachable Face Plate**– 1/16" x 1 1/8" x 2 3/4" ; hole spacing 2 3/16"

**Finish**– Base finish, 626, supplied unless otherwise specified

**FUNCTION CODE CHART**

Function Code	Door Thickness	Bolt	Operation
2S73	to 1 5/8"	19/32" dia. 1/2" throw	When unlocked, case of lock moves out through door stile and may be used as handle for moving door. To lock 2S73 and 2S74 push case in through door. Spring locking action. To lock 2S75 operate key and push case "IN" through door to engage bolt retaining pin behind strike plate in opposite door.
2S73 x TBM	7/8" to 1 5/8"	19/32" dia. 1/2" throw	
2S74 x TBM	7/8" to 1 5/8"	19/32" dia. 3/4" throw	
2S75	3/4" to 1 5/8"	1/2" dia. x 7/16" Bolt engagement 1/8" locking pin	

\*Screws may be cut up to 5/8" shorter for doors to 7/8" door thickness.

**HOW TO ORDER: 2S SERIES**

2S	7	5	626	
Series	Core Housing	Function Code	Standard Finish	Options
2S- sliding door push lock	7- 7-pin housing accepts all Best cores	see above	626- standard 605 606 622 625	SP- support plate*

\*Cannot be used with through bolt mounted (TBM) option. Available in 626 only. \*\*Must specify key mark and number of keys or designate L/C for less core.



2S73  
Surface mounted



2S74 x TBM  
Through bolt mounted



2S75  
Surface mounted w/retaining pin

## 3S SERIES SLIDING PANEL LOCK

### Operation

A stainless steel strap mounts permanently on the inner sliding panel. When panels are closed, the tongue of the strike strap extends beyond the edge of the outer panel. To lock panels, slide lock housing as close to overlapping panel edge as possible and lock by turn of key. Key is removable in locked position only.



3S75

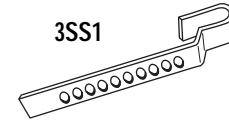


3S77

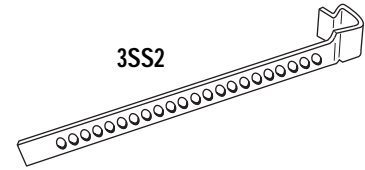
### 3S-Strike Strap Chart

Type	Length	Panel
3SS1	4 1/4"	1/4"
3SS2	6 1/4"	1/4"
3SS3	6 1/4"	5/16"
3SS4	6 1/4"	13/32"
3SS5	6 1/4"	3/4"

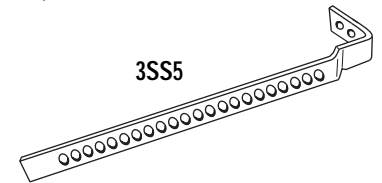
3SS1



3SS2



3SS5



### Specifications

**Strike Strap**– Stainless steel, 1/2" wide

**Finish**– 627 aluminum only

### HOW TO ORDER: 3S SERIES

3S	7	5	3SS2	627
Series	Core Housing	Function Code	Combination Code	Standard Finish
3S– sliding panel lock	7– 7-pin housing accepts all Best cores housing 8– 1" extended housing	5– straight lock housing 7– captured panel lock	3SS2– standard unless otherwise specified	627

Must specify key mark and number of keys or designate L/C for less core.

## 4S SERIES SLIDING DOOR CYLINDER

The 4S73 locking cylinder for sliding doors offers quality security and Masterkey versatility by integrating a modified BEST interchangeable core into the actual locking mechanism. This machined solid brass cylinder is designed for use on display cabinets, window displays, or other storage areas that are closed by sliding panels of glass, plastic, wood, etc. Available in a variety of finishes (bright chrome standard), the 4S73 can be keyed into any new or existing BEST System.

### Specifications

**Cylinder**– Head diameter– 1 3/8", cylinder projection– 3/8". Fits 1 3/16" diameter hole in door.

Machined from solid brass.

**Clamp Plate**– Stainless steel.

**Mounting**– Cylinder attached with 2 stainless steel screws. Supplied with 2 clear vinyl washers for mounting on glass doors.

**Door thickness**– 1/4"

**Finish**– 625 bright chrome supplied standard. Available in 605, 606, 626.

**Core**– Special 7 pin core prevents complete removal of core from cylinder.

Machined from solid brass. 6C or 6CT core is required.

**Operation**– Core body blocks door from sliding open when in the locked position.

To unlock, insert key to retract locking lug and pull core forward to the unlocked position.

6C core must be ordered if key is to be removable in the locked or unlocked position.

6CT core must be ordered if key is to be removable only in the locked position.

### HOW TO ORDER: 4S SERIES

4S	7	3	625
Series	Core Housing	Function Code	Standard Finish
4S– sliding door cylinder	7– 7 pin housing accepts (6C or 6CT only)	3– standard 4– for wood doors	626– standard 605 606 622

Must specify key mark and number of keys or designate L/C for less core.



4S73 Mounted on glass cabinet-unlocked position








4S73 Mounted on glass cabinet-locked position

## KRD SERIES KEY RETAINING DEVICES

### Key Retainer Device Operation and Benefits

The key retaining device is an effective tool for improving key control. With a key retaining device, a release key is inserted into the retaining device and rotated. The rotation of this key both releases the retained key and traps the release key. The release key remains trapped until the retained key is returned and rotated. When this happens, the release key can be extracted, but the retained key is trapped. These retaining devices establish accountability for important keys (ex: master keys, emergency bypass keys, etc.) and dramatically reduce both human mistakes and risk exposure for higher level keys. These effective put-and-take systems act as mechanical sign-out sheets. When the cores are installed, the standard #10 front mounting screws are concealed. Additional 1/4-20 threaded mounting holes are provided in the back of each KRD case.

### How It Functions...A simple put-and-take method of operation

				
<b>GM or any high level key retained in KRD waiting for any authorized user to remove it when needed</b>	<b>An authorized user inserting their personally identified release key</b>	<b>User rotates release key and the high level retained key is now ready for removal</b>	<b>Authorized user removing the previously secured high level key and can use it as needed</b>	<b>Authorized user key is retained (held captive/trapped) until the high level key is returned to its secure location</b>

### KRD-2 BEST Core Model (Cores and Keys not included)

Two core retaining device with one retained core and key and one release core and key. Accepts 5, 6 and 7 pin BEST cores.

**Case:** Precision machined from solid aircraft aluminum bar stock

**Size:** 2 1/4" High x 4 1/2" Long x 2 1/4" Deep.

**Weight:** 2 pounds

**Finish:** Clear anodized – 628 \*

**Options:**

- S: Internal low-voltage SPDT switch
- SS: Security Seal

\* Other colors are available



KRD-2

### KRD-2H Hybrid (Cores and Keys not included)

The Hybrid KRD is used to combine, in one device, a BEST core with another manufacturer's core. Two models are currently available: Sargent RC and Schlage FSIC (contact your local BEST office for information on other models).



KRD-2H - SAR/BEST



KRD-2H - BEST/SCH

These two KRD-2H Hybrids have the BEST core as the retained position, but the user can decide which core position is to be the release and which is to be the retained.

Specifications for KRD-2H Hybrids are the same as the KRD-2 shown above.

## KRD SERIES KEY RETAINING DEVICES

### KRD-2 Non-BEST Full Size Core Models (Cores and Keys not included)

Identical in operation to the KRD-2 for BEST cores, but these devices will accept other manufacturers' IC's and RC's. Some manufacturers of both 6 and 7-pin cores require a different version for each. A complete listing appears in HOW TO ORDER below. Specifications for these models are the same as the KRD-2 shown on the previous page.

### KRD-3 BEST Core Dual Function Model (Cores and Keys not included)

This three core model accepts BEST 5, 6 and 7-pin cores and provides the user with a choice of two different functions:

**Function "A"** – Dual Custody - 2 release keys presented to release 1 retained key: Two release keys must be simultaneously inserted into the retaining device and rotated 90 degrees. The rotation of these two keys traps them and releases the retained key. The release keys remain trapped until the retained key is returned and rotated. When this happens, the release keys can be extracted, but the retained key is trapped.

**Function "B"** – 1 release key presented to release 2 retained keys: A release key is inserted into the retaining device and rotated 90 degrees. The rotation of this key releases the retained keys, which should both be simultaneously removed, and traps the release key. The release key remains trapped until both of the retained keys are returned and rotated. When this happens, the release key can be extracted, but the retained keys are trapped.

**Case:** Precision machined from solid aircraft aluminum bar stock

**Size:** 2 1/4" High x 6 3/4" Long x 2 1/4" Deep.

**Weight:** 3 pounds

**Finish:** Clear anodized – 628 \*

**Options:**

- S: Internal low-voltage SPDT switch
- SS: Security Seal (s)

Specify quantity and post.location(s)

\* Other colors are available



KRD-3 (Function "A" Shown)



-SS Option (Shown on KRD-2)

### KRD Options

#### -S Switch

Internal low-voltage SPDT switch rated at 5A, 125VAC supplied with a 3-wire, 36" jacketed cable. This switch can be used to connect any KRD to an annunciator, control circuitry, a camera, an access control system with alarm monitoring capability, a linked output, etc.

#### -S Security Seal(s) (Seals not included)

Allows you to use a breakable seal on a retained key to provide a simple and effective visual indicator that this key has NOT been used.

## HOW TO ORDER: KEY RETAINING DEVICES

Key Retaining Devices	Part Number
KRD-2 BEST Core Model	UL-KRD-2
KRD-2H Hybrid (Sargent/BEST Model)	UL-KRD-2H SAR/BEST
KRD-2H Hybrid (BEST/Schlage FSIC Model)	UL-KRD-2H BEST/SCH
KRD-3 BEST Core Dual Function Model	UL-KRD-3
Non-BEST Full Size Core Models	
KRD-2 Corbin Russwin 6-pin IC	UL-CR6-KRD-2
KRD-2 Corbin Russwin 7-pin IC	UL-CR7-KRD-2
KRD-2 Medeco IC	UL-MED-KRD-2
KRD-2 Sargent RC	UL-SAR-KRD-2
KRD-2 Schlage FSIC	UL-SCH-KRD-2
KRD-2 Yale 6-pin IC	UL-YA6-KRD-2
KRD-2 Yale 7-pin IC	UL-YA7-KRD-2
Switch and Security Seal Options	Add -S and/or -SS suffix
Also available: Special KRD-4, Custom Hybrids and Functions, Multi-Key Switches, etc.	



**Stanley Security Solutions**, a business division of Stanley Black & Decker, is a provider of integrated access control and security solutions for institutional, commercial and industrial businesses and organizations. Stanley Security Solutions delivers a comprehensive suite of security products, software and integrated systems with a strong emphasis on service. Stanley Security Solutions is committed to extending its position as a leading comprehensive resource for a broad and extensive array of solutions that span the entire security spectrum.