



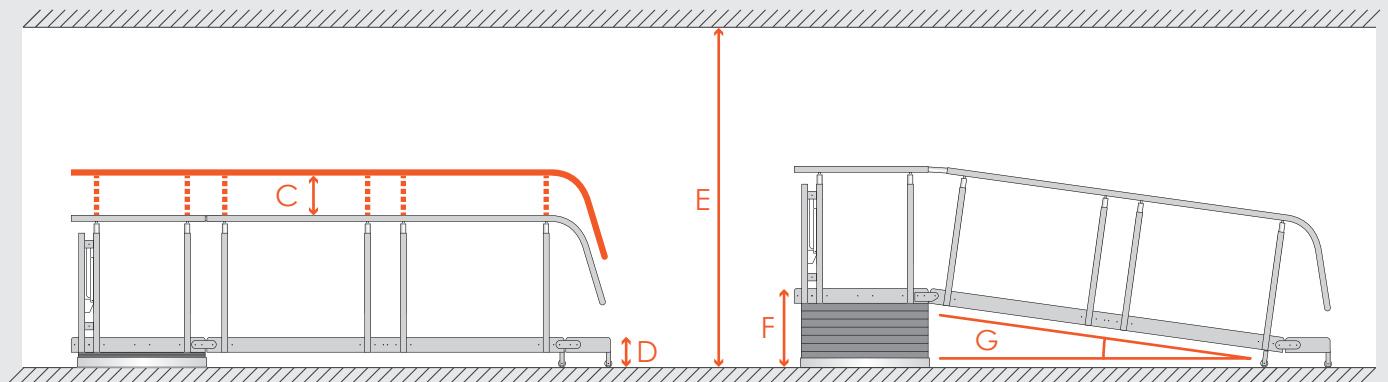
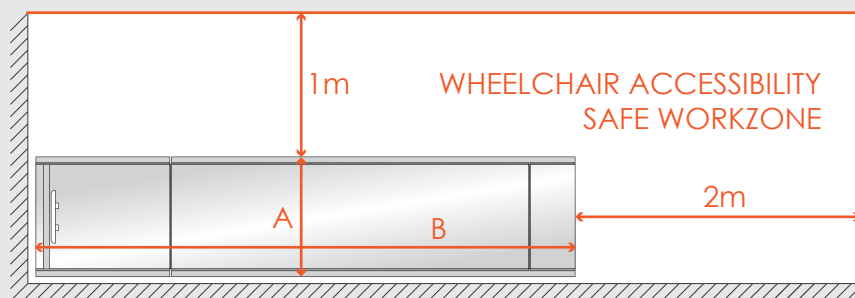
iBars Parallel Bars

Product Specification Sheet



Product Specification

- Safe Working Load 400kg
- Width (A) 800mm
- Length (B) 3600mm
- Handrail Adjustment (C) 800-1000mm in 5cm increments
- Platform Height (D) 180mm
- Required Minimum Room Height (E) 2500mm
- Lift Mechanism Travel Height (F) 600mm
- Walking Platform Adjustment (G) 0-10 degrees
- Power Supply Mains supply 240/230v
- Warranty 1 year parts only



Ortho Europe Ltd - Ability House, Nuffield Way, Abingdon, Oxfordshire, OX14 1RL
 Tel: +44 (0)1235 552 895 Fax: +44 (0)870 400 7797

Email: info@ortho-europe.com www.ortho-europe.com