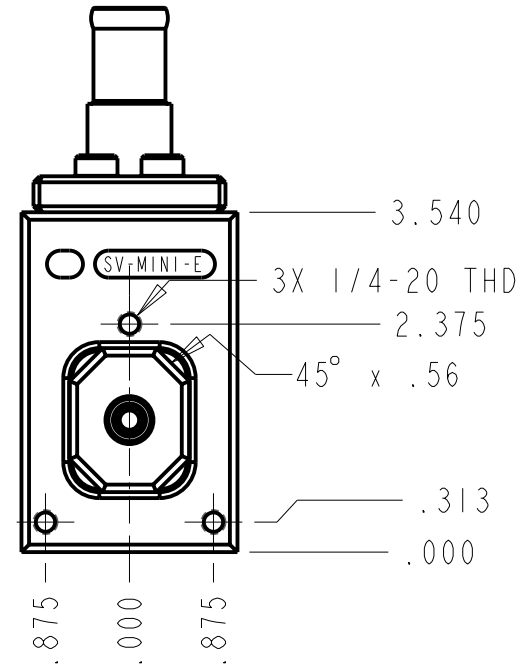
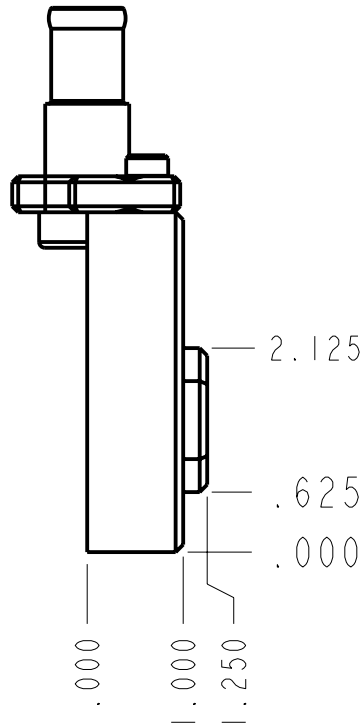
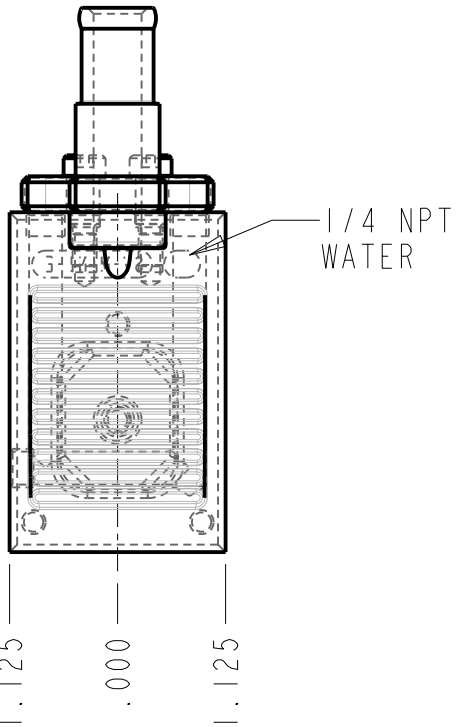
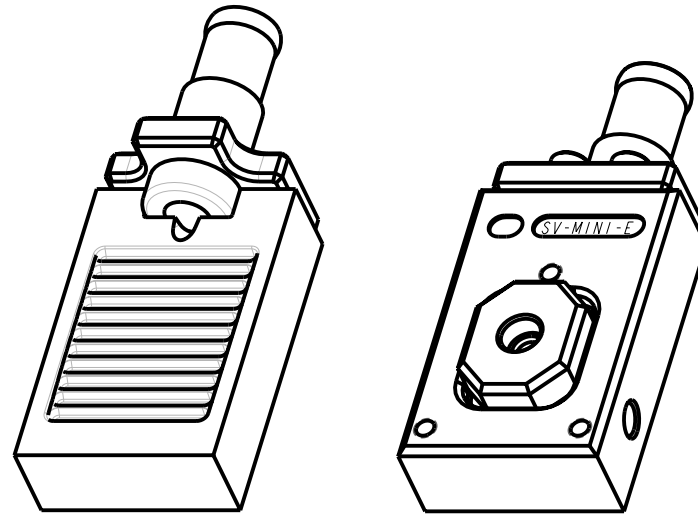
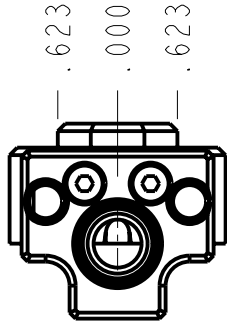


Midland Technologies, Inc. claims proprietary rights in the subject matter shown and described in this drawing and associated computer models. The drawing is furnished for reference purposes only and on express understanding that it will be held in strict confidence and neither it nor any reproduction thereof will be disclosed to others or used for purposes of manufacture or procurement from others of the articles or parts shown thereon without the express and written consent from Midland Technologies, Inc.

Patent Pending.



TOLERANCES EXCEPT NOTED  
 .X ±.030  
 .XX ±.010  
 .XXX ±.005  
 ANGLES ±1/2°

MIDLAND TECHNOLOGIES, INC.

TITLE SV-MINI-E  
 STATIONARY SIDE BLOCK

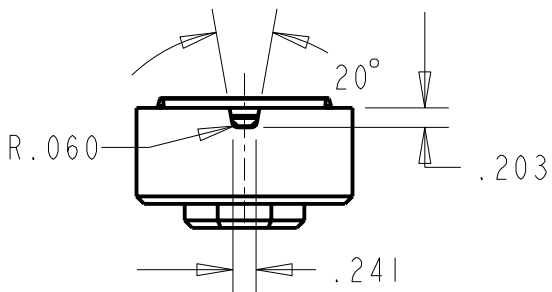
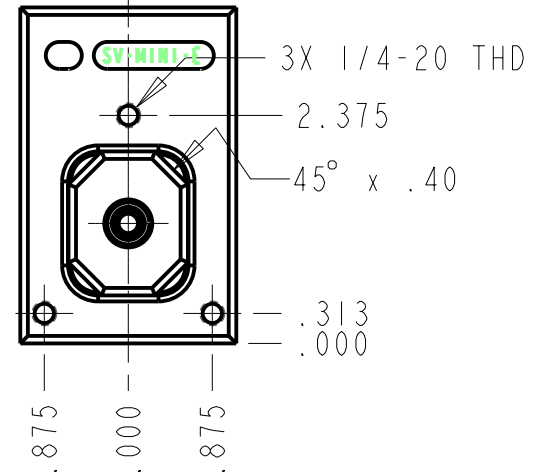
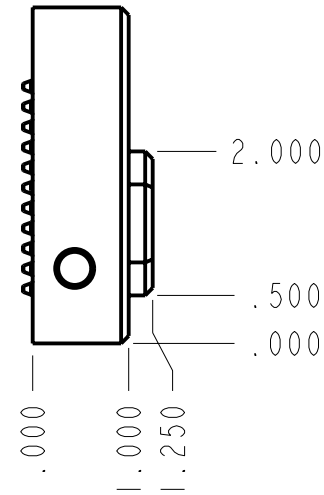
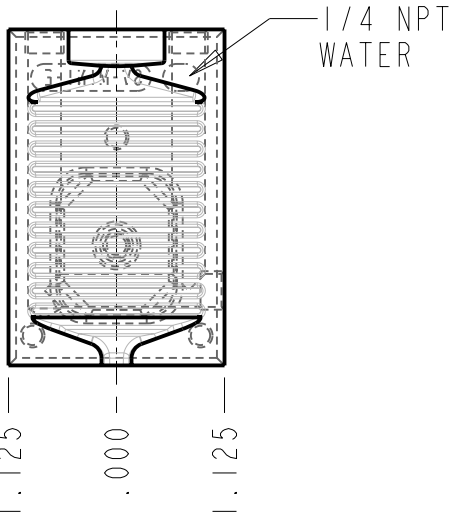
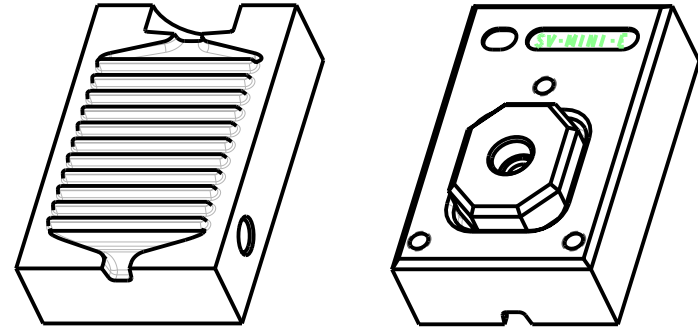
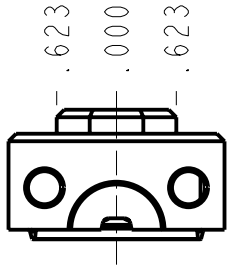
INCH A  
 THIRD ANGLE PROJECTION

SCALE .50

DATE: 05-07-02

Midland Technologies, Inc. claims proprietary rights in the subject matter shown and described in this drawing and associated computer models. The drawing is furnished for reference purposes only and on express understanding that it will be held in strict confidence and neither it nor any reproduction thereof will be disclosed to others or used for purposes of manufacture or procurement from others of the articles or parts shown thereon without the express and written consent from Midland Technologies, Inc.

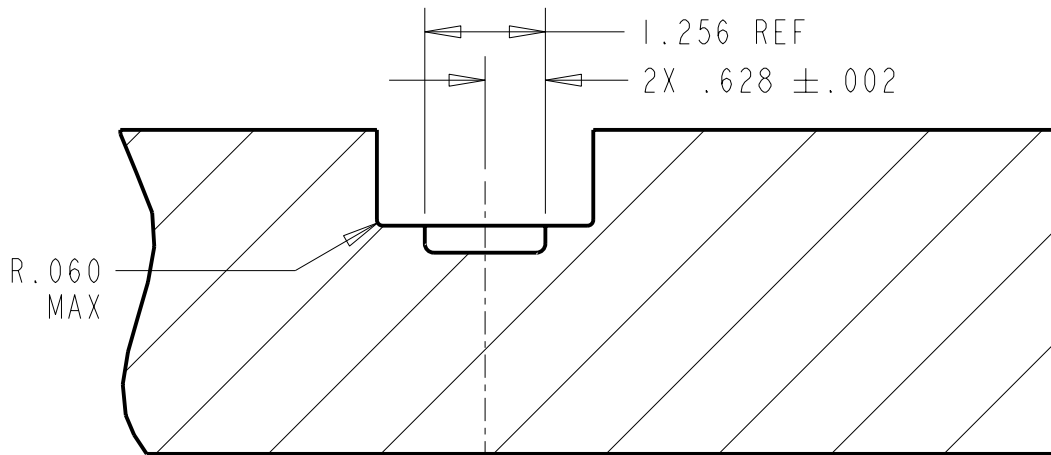
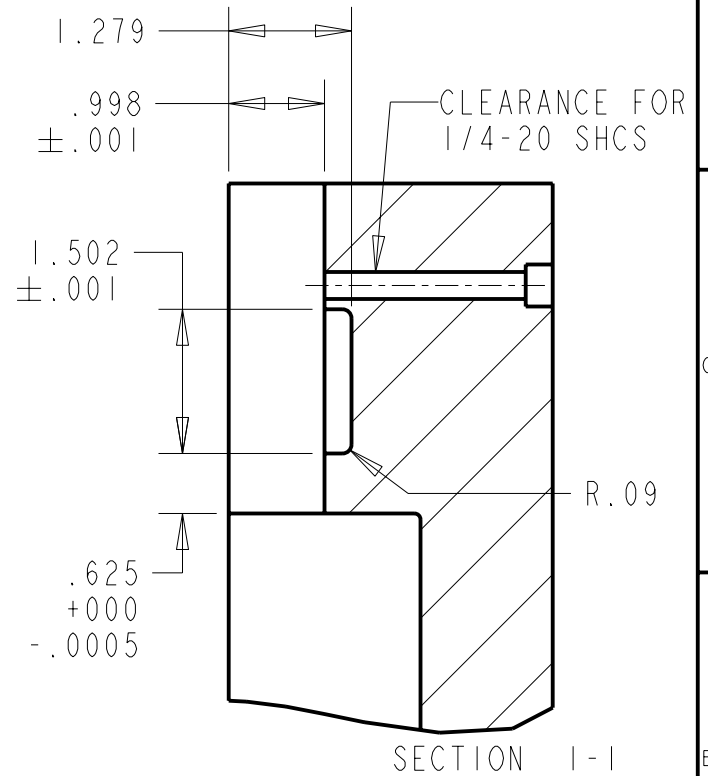
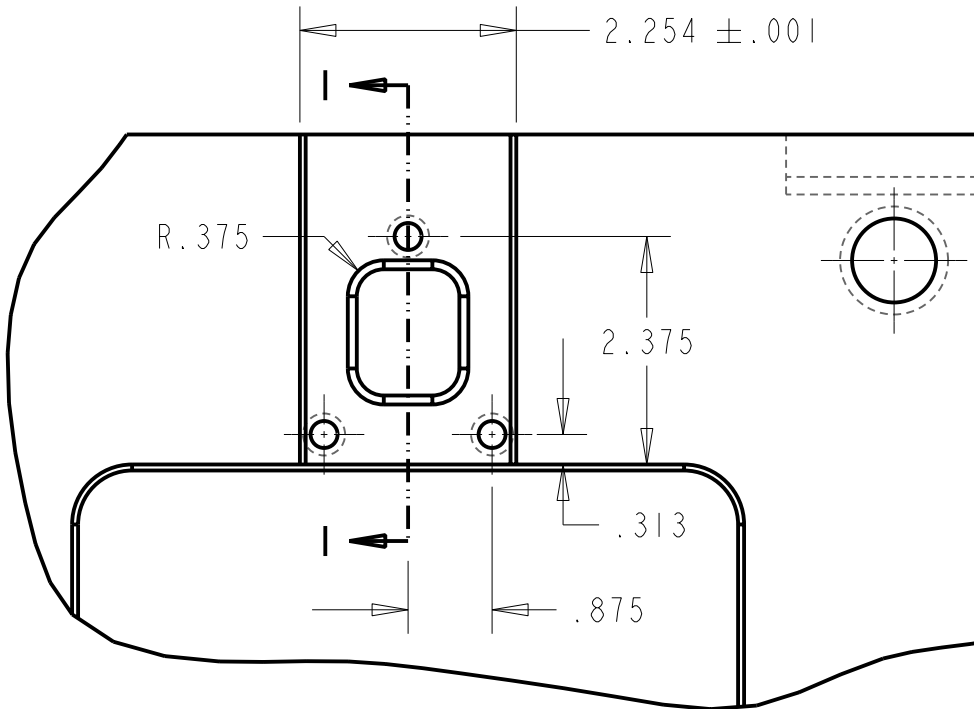
Patent Pending.



TOLERANCES EXCEPT NOTED		MIDLAND TECHNOLOGIES, INC.	
.X	±.030	TITLE SV-MINI-E	
.XX	±.010	EJECTOR SIDE BLOCK	
.XXX	±.005	SCALE	DATE:
ANGLES	±1/2°	.50	05-07-02
INCH	THIRD ANGLE	PROJECTION	
A			

Midland Technologies, Inc. claims proprietary rights in the subject matter shown and described in this drawing and associated computer models. The drawing is furnished for reference purposes only and on express understanding that it will be held in strict confidence and neither it nor any reproduction thereof will be disclosed to others or used for purposes of manufacture or procurement from others of the articles or parts shown thereon without the express and written consent from Midland Technologies, Inc.

Patent Pending.



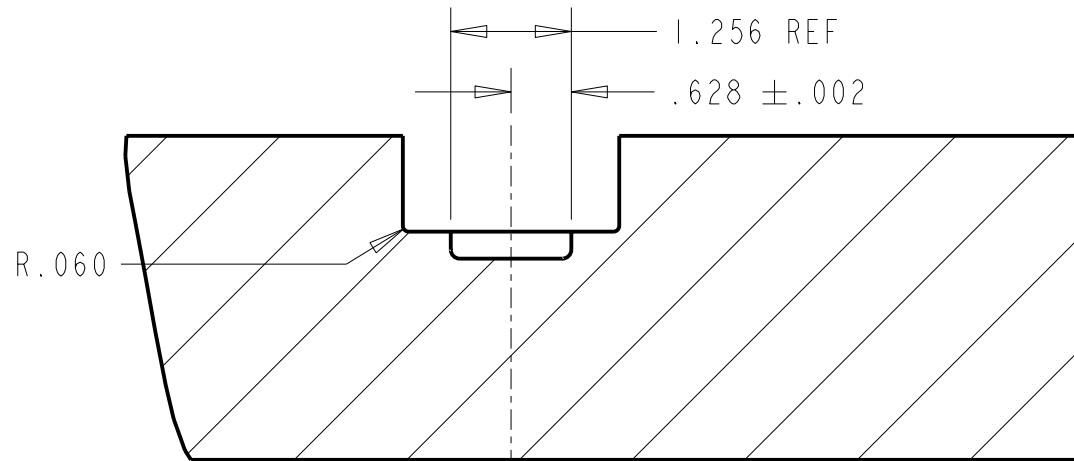
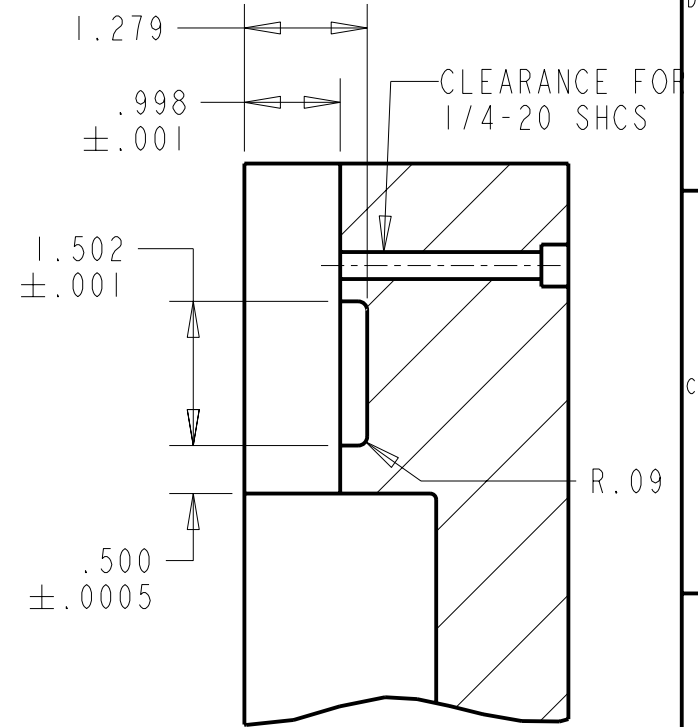
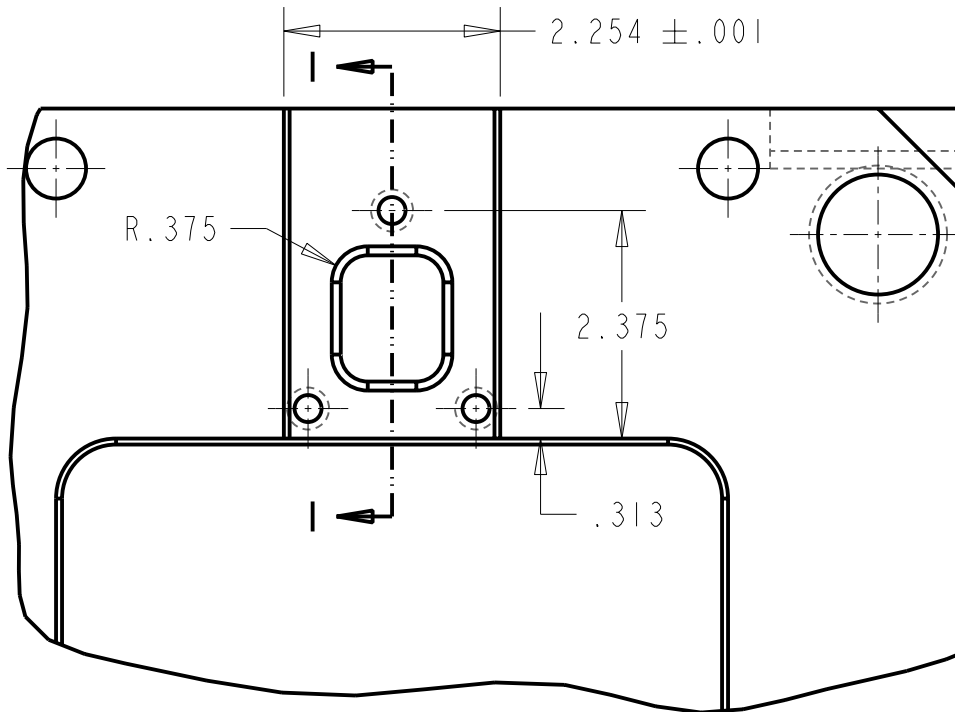
SECTION 2-2

SECTION 1-1

TOLERANCES EXCEPT NOTED		MIDLAND TECHNOLOGIES, INC.	
.X	$\pm .030$	TITLE	
.XX	$\pm .010$	MINI SERIES	
.XXX	$\pm .005$	STATIONARY PLATE DETAIL	
ANGLES	$\pm 1/2^\circ$	SCALE	DATE:
INCH	THIRD ANGLE PROJECTION	.50	05-07-02

Midland Technologies, Inc. claims proprietary rights in the subject matter shown and described in this drawing and associated computer models. The drawing is furnished for reference purposes only and on express understanding that it will be held in strict confidence and neither it nor any reproduction thereof will be disclosed to others or used for purposes of manufacture or procurement from others of the articles or parts shown thereon without the express and written consent from Midland Technologies, Inc.

Patent Pending.



SECTION 2-2

SECTION 1-1

TOLERANCES EXCEPT NOTED		MIDLAND TECHNOLOGIES, INC.	
.X	$\pm .030$	TITLE	
.XX	$\pm .010$	MINI SERIES	
.XXX	$\pm .005$	EJECTOR SIDE PLATE DETAIL	
ANGLES	$\pm 1/2^\circ$	SCALE	DATE:
INCH	THIRD ANGLE	.50	05-07-02
A			