

B4 AC & DC LINEAR SOLENOID

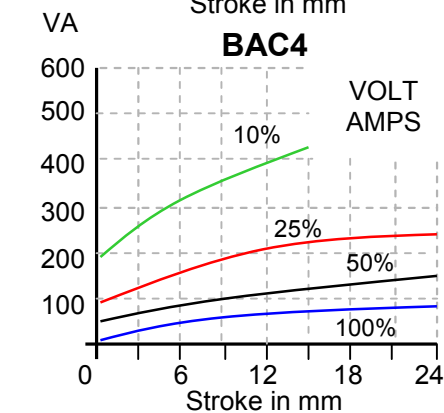
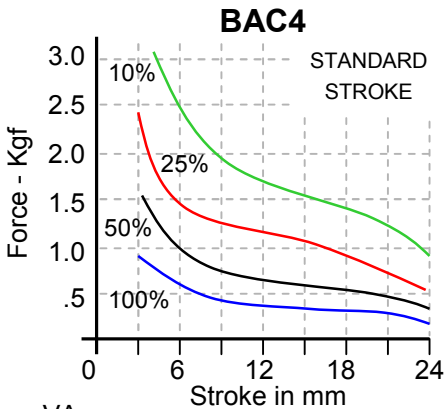
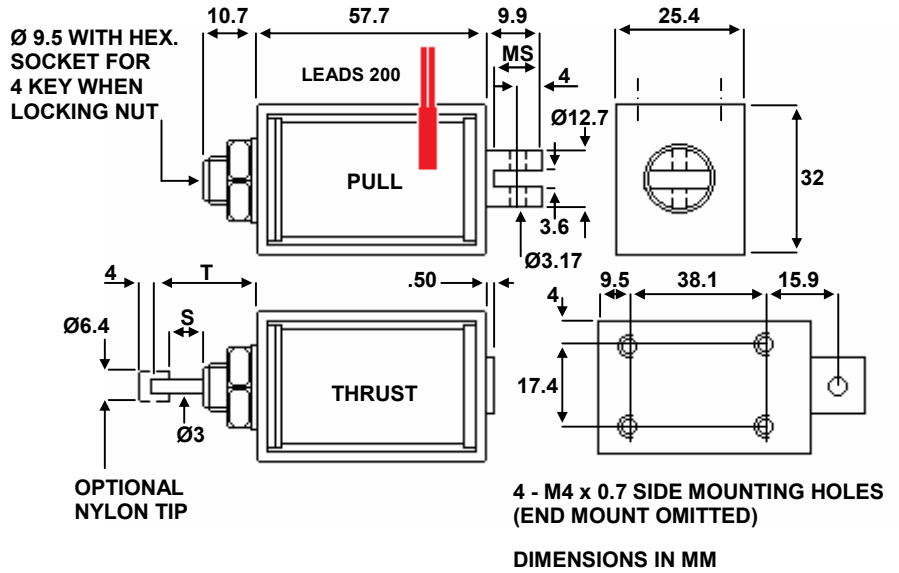
Availability
AC or DC Standard Stroke
PULL - THRUST - PULL & THRUST
DC Long Stroke

Solenoid shown in energised position

	Dim 'T'	Stroke 'S'
BAC4	36.1	20.6
BDC4	32	16.6

MS = Milled Slot
BAC4/BDC4 - 9.5
BDC4L - 10

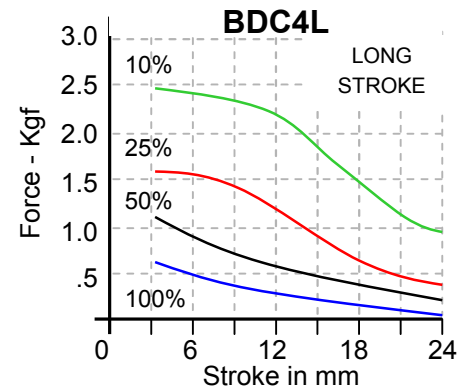
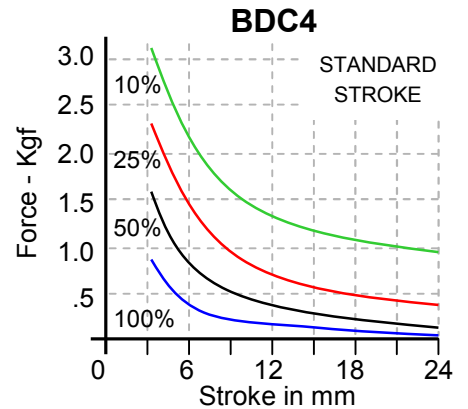
Weight complete 248g
Plunger weight 63g max



Forces shown are at working temperature
Cold forces are higher

AC Closed VA
100% Rtg = 17VA
50% Rtg = 34VA
25% Rtg = 68VA
10% Rtg = 200VA

DC Watts
100% Rtg = 11W
50% Rtg = 22W
25% Rtg = 44W
10% Rtg = 110W



** Please note: Fixing, plunger coupling, thrust rods and lead length can all be customised **

We reserve the right to alter or amend designs without prior notice.

HE & BS Benson Ltd

1 Laureate Industrial Estate, Exning Road, Newmarket, Suffolk UK CB8 0AR

T. +44(0)1638 663535 – 663130 F. +44(0)1638 667434 E. sales@hebsenson.co.uk www.hebsenson.co.uk