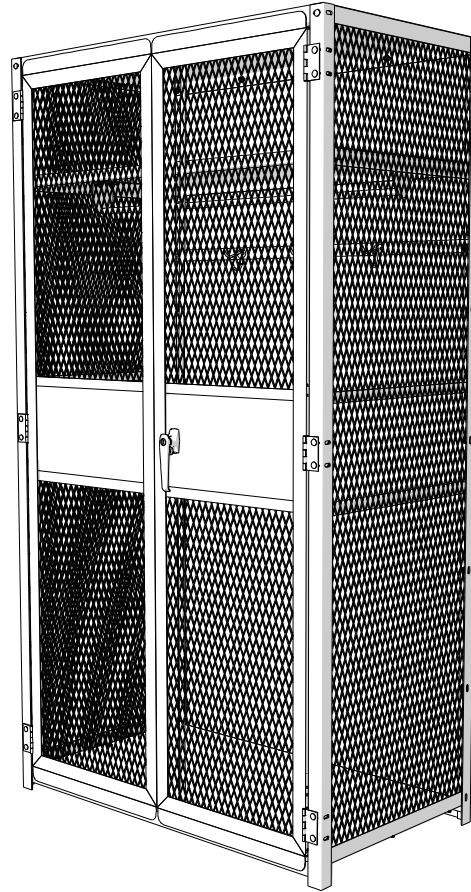




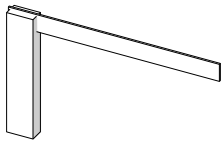
# Stor-More® TA-50 Military Locker Expanded Metal Starter & Add-On - Installation Instructions

## TABLE OF CONTENTS:

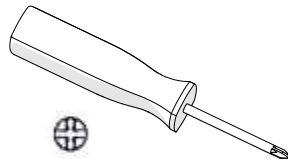
PAGE 1 | COVER, TOOLS REQ'D  
 PAGE 2 | HARDWARE PROVIDED  
 PAGE 3 | PARTS LIST  
 PAGE 4 | STARTER LOCKER ASSEMBLY  
 INSTRUCTIONS - OPTIONAL  
 SHELF ASSEMBLY  
 PAGE 9 | ADD-ON ASSEMBLY  
 INSTRUCTIONS  
 PAGE 10 | BACK to BACK LOCKER  
 ASSEMBLY INSTRUCTIONS



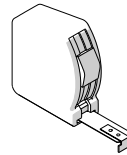
## TOOLS REQUIRED:



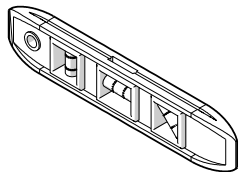
SQUARE



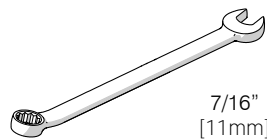
PHILLIPS SCREWDRIVER



MEASURING TAPE



LEVEL

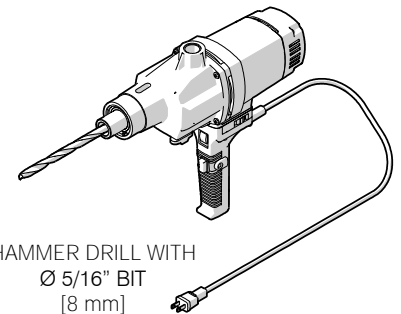


OPEN END WRENCH

7/16"  
[11mm]

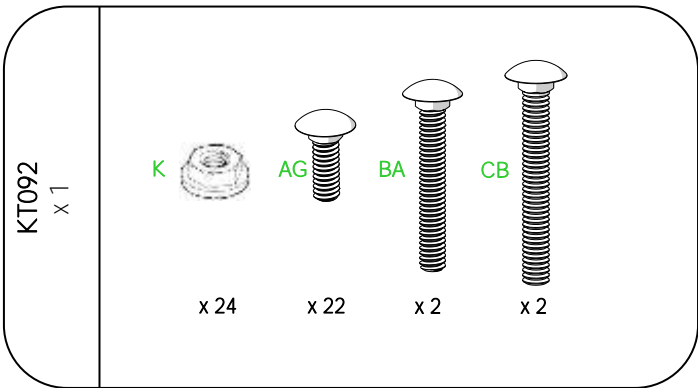
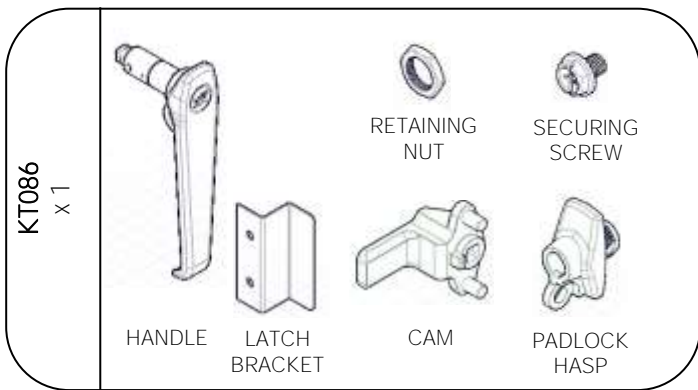
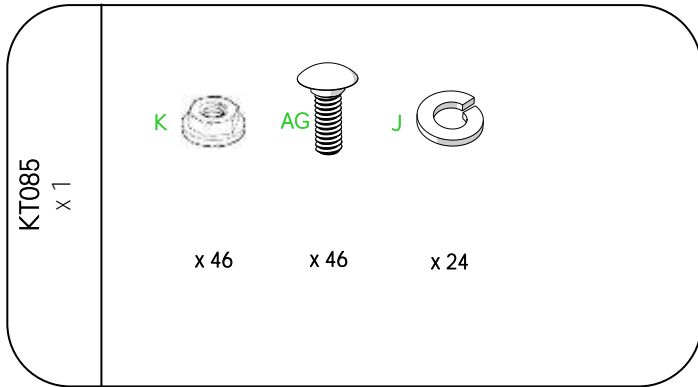


MALLET



HAMMER DRILL WITH  
Ø 5/16" BIT  
[8 mm]

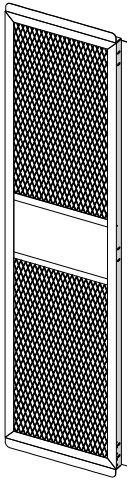
# HARDWARE PROVIDED: Double Tier TA-50 Locker



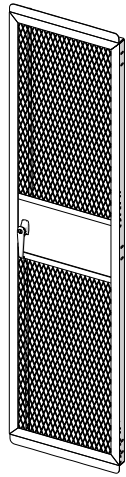
## HARDWARE LIST:

- (BA) 1/4"-20 x 1-3/4" SQUARE NECK CARRIAGE BOLT
- (CB) 1/4"-20 X 2" SQUARE NECK CARRIAGE BOLT
- (J) 1/4" LOCK WASHER
- (K) 1/4"-20 FLANGE NUT
- (AG) 1/4"-20 x 3/4" SQUARE NECK CARRIAGE BOLT

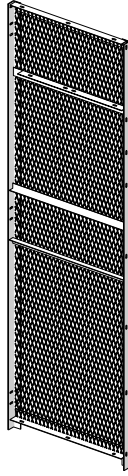
PARTS LIST:



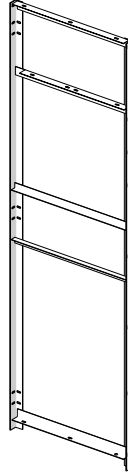
NON-LOCKING  
DOOR  
x1



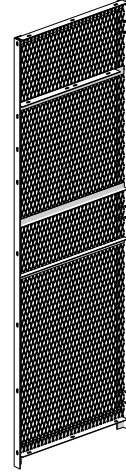
LOCKING DOOR  
x1



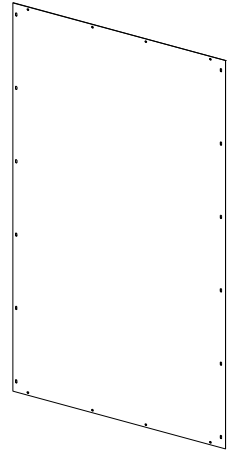
LEFT SIDE  
x1 per Starter



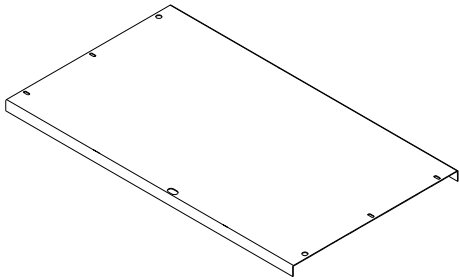
LEFT SIDE-NO MESH  
x1 per Add On



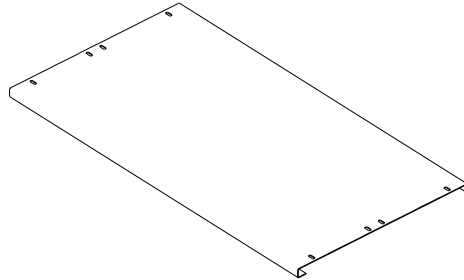
RIGHT SIDE  
x1 per Starter  
x1 per Add On



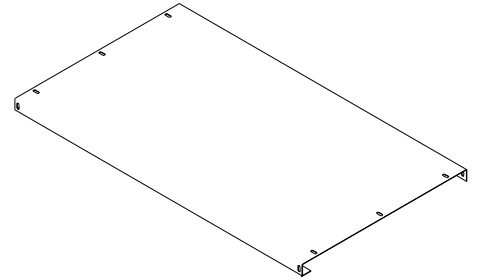
BACK  
x1 per Starter  
Only x1 per 2 Units in  
BACK TO BACK Use



BOTTOM



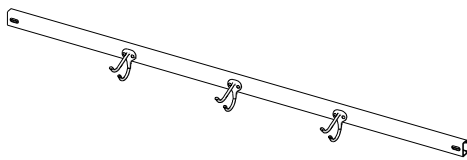
INTERMEDIATE SHELF



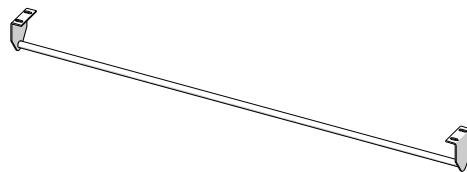
TOP



LOCKING ROD x2

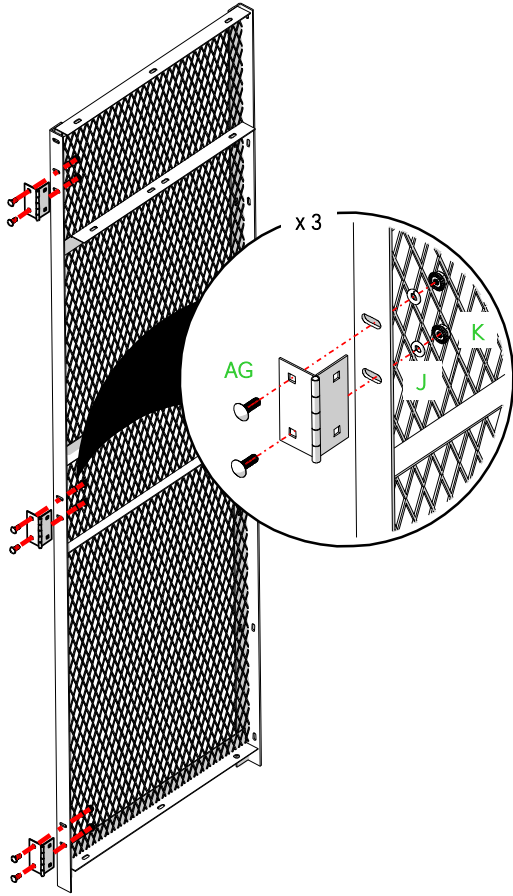


HOOK SUPPORT CHANNEL

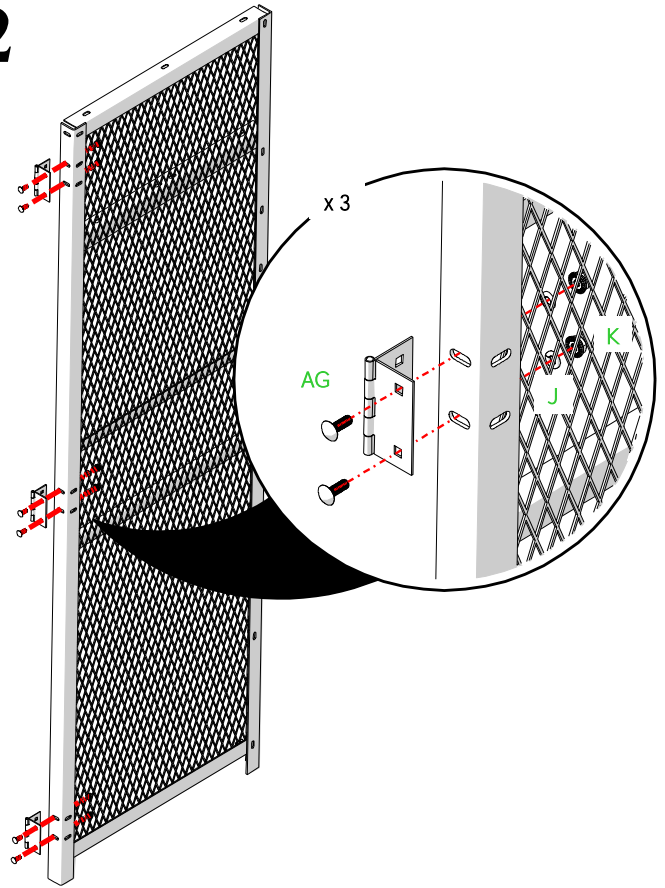


CLOTHES HANGER ROD

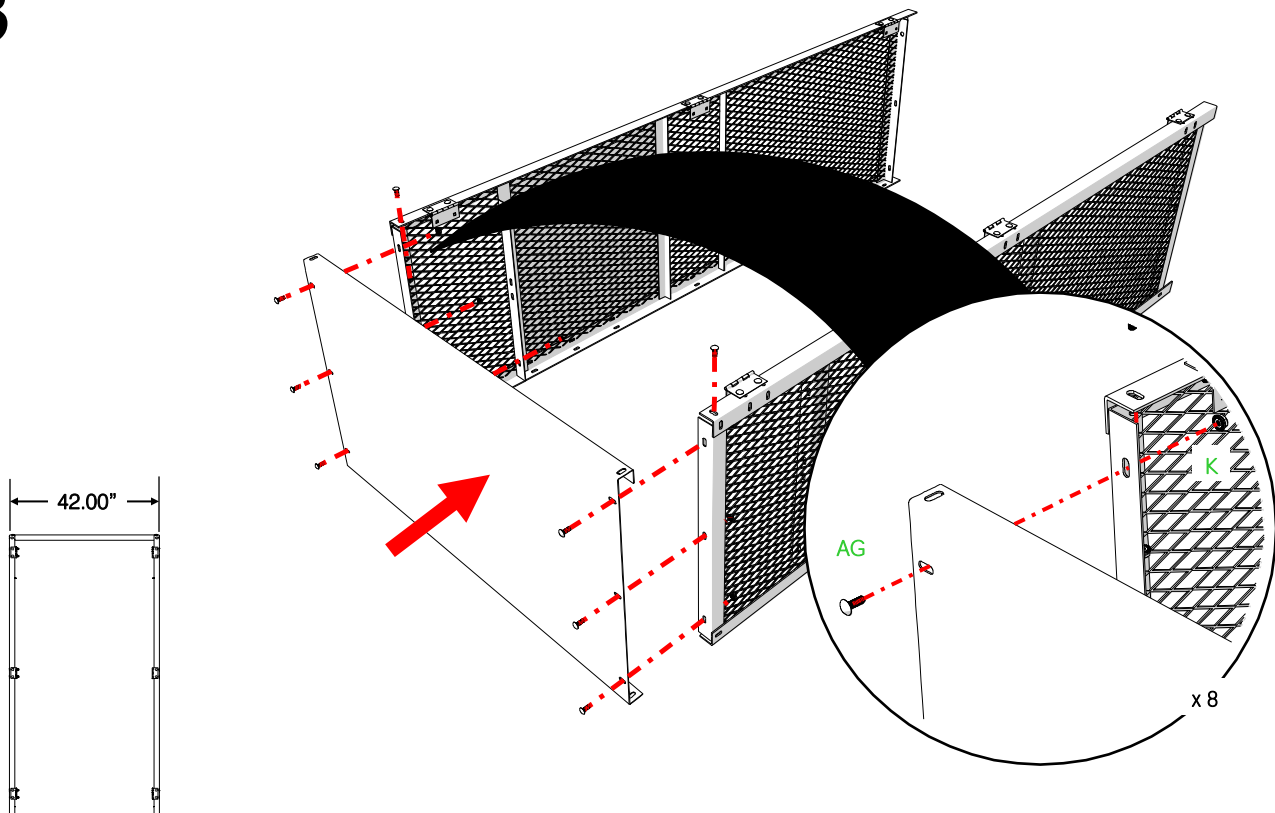
1



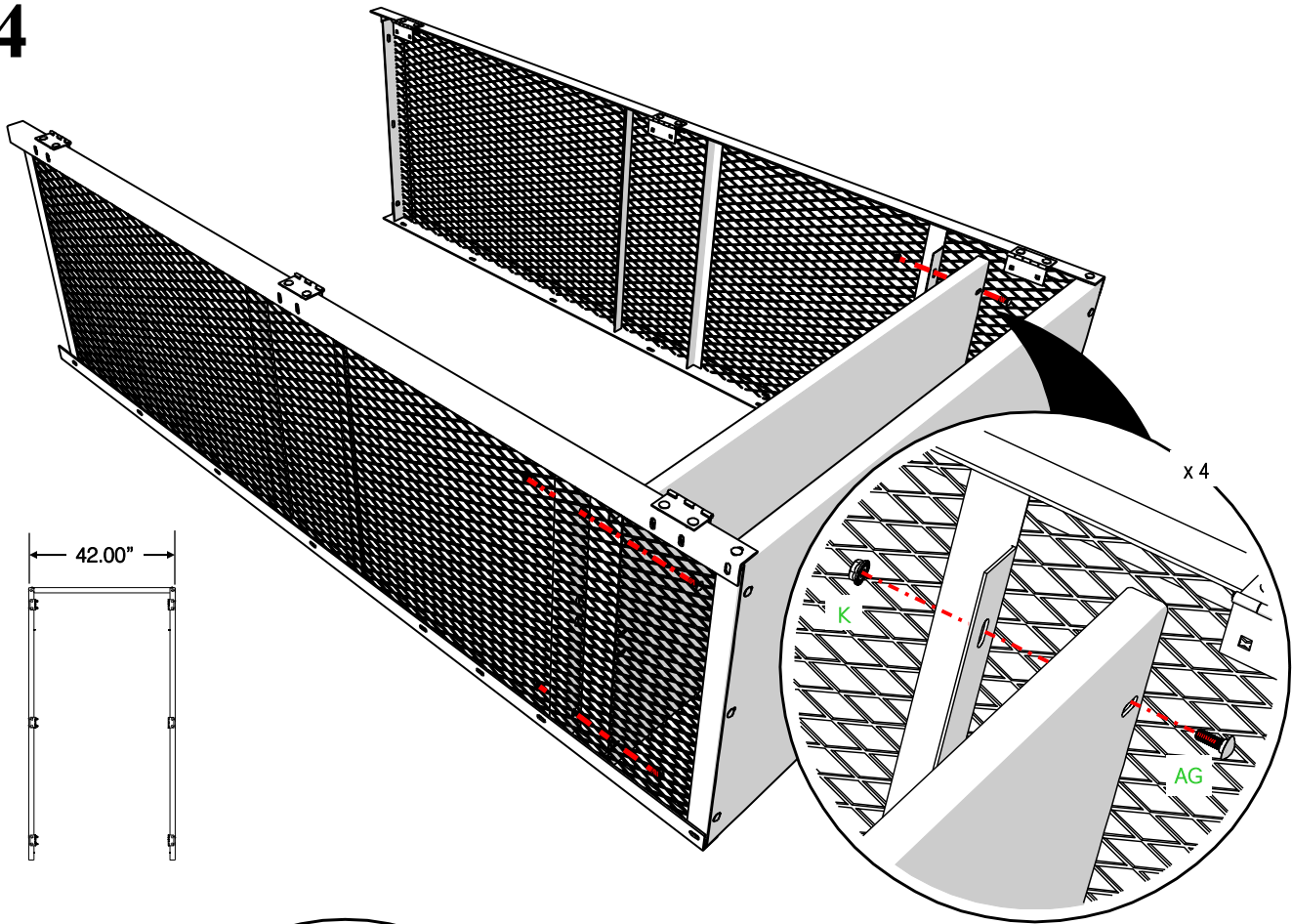
2



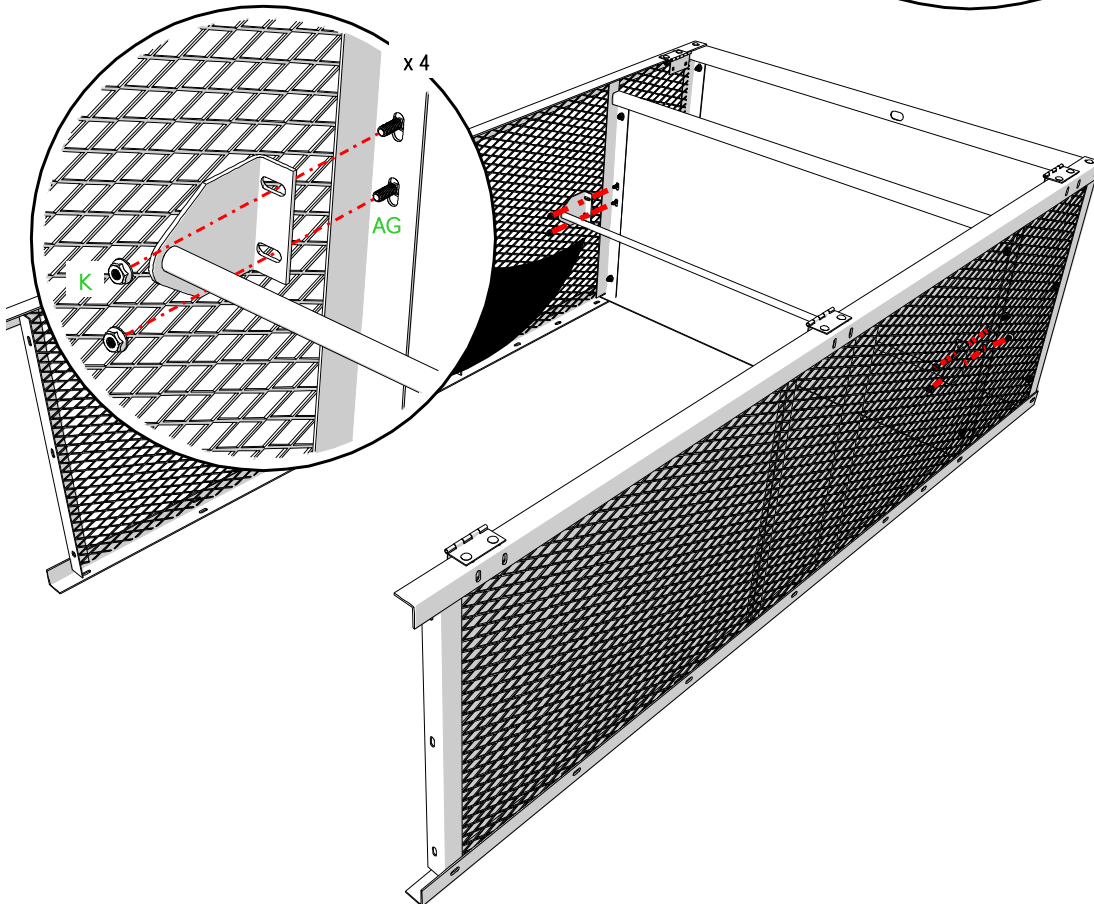
3



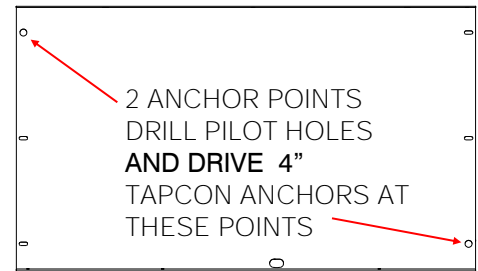
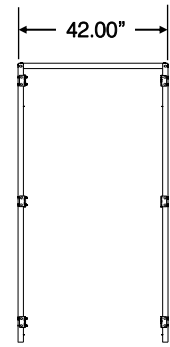
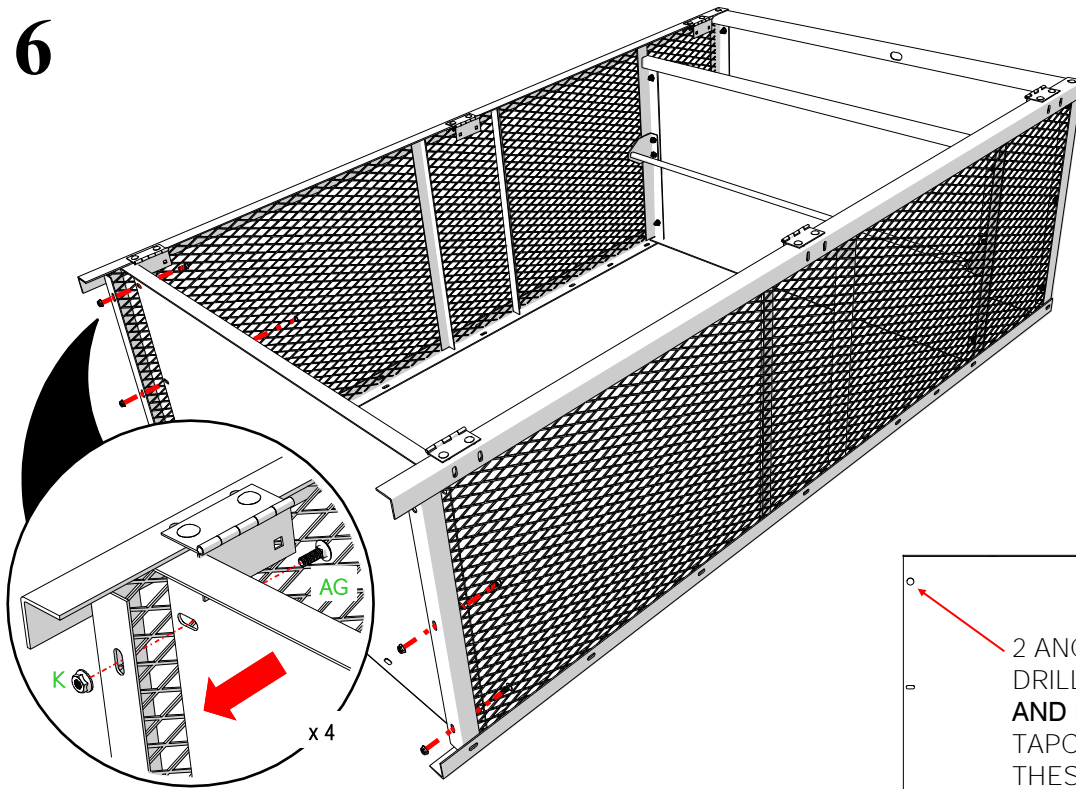
4



5



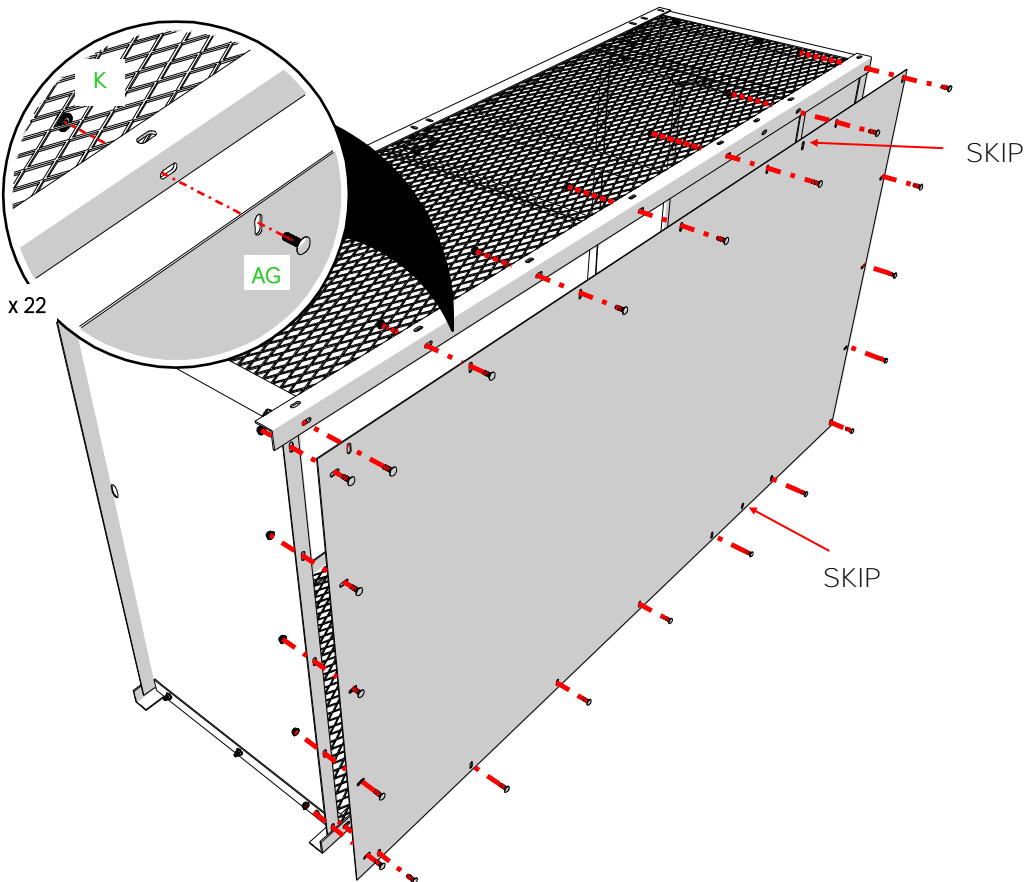
6



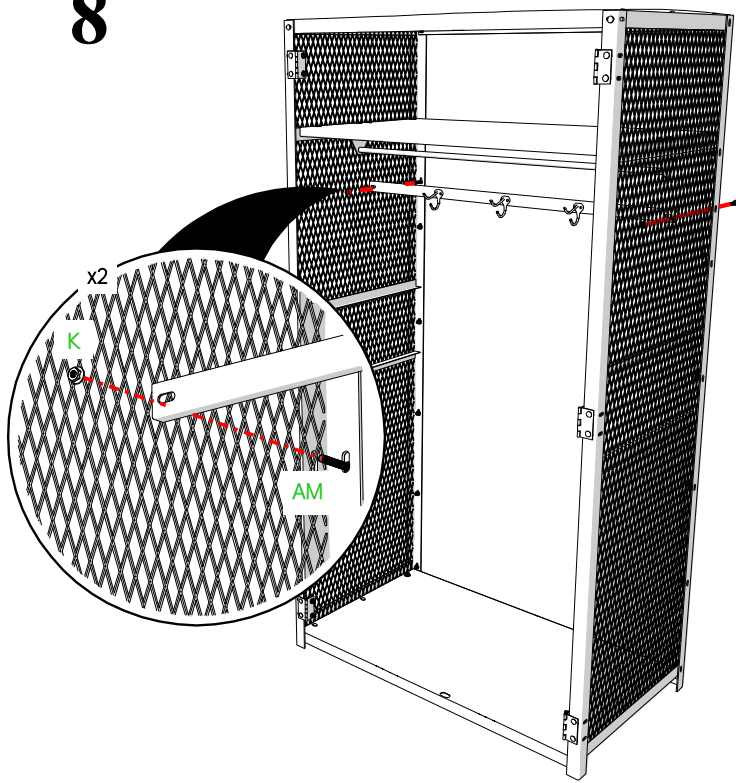
2 ANCHOR POINTS  
 DRILL PILOT HOLES  
**AND DRIVE 4"**  
 TAPCON ANCHORS AT  
 THESE POINTS

FRONT

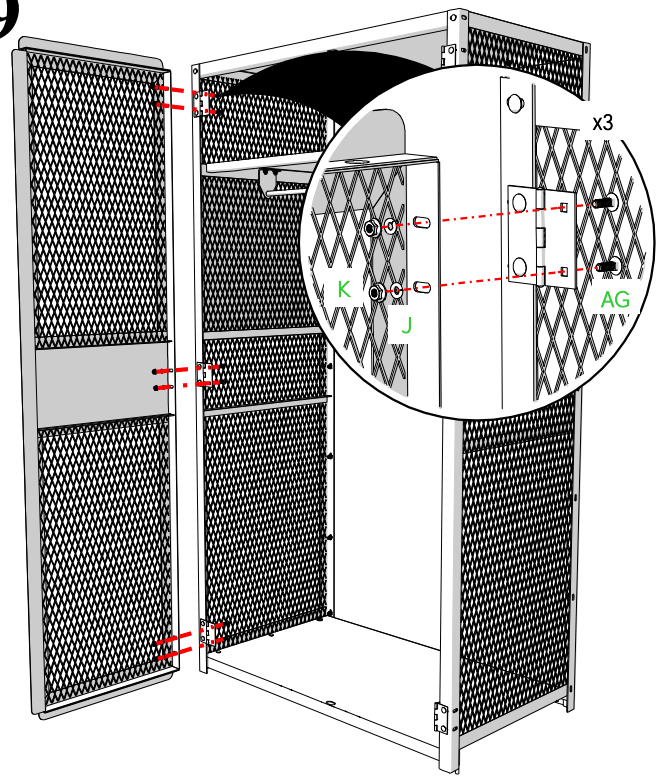
7



8

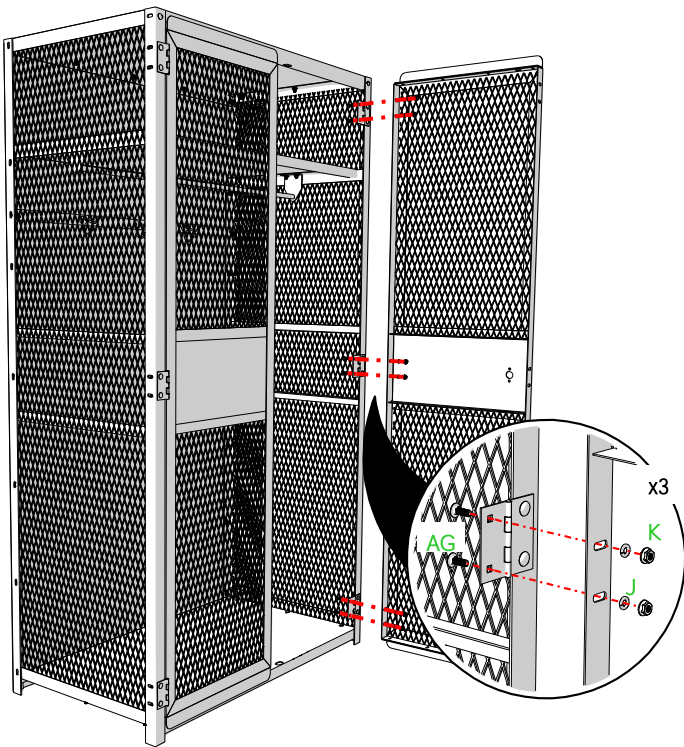


9

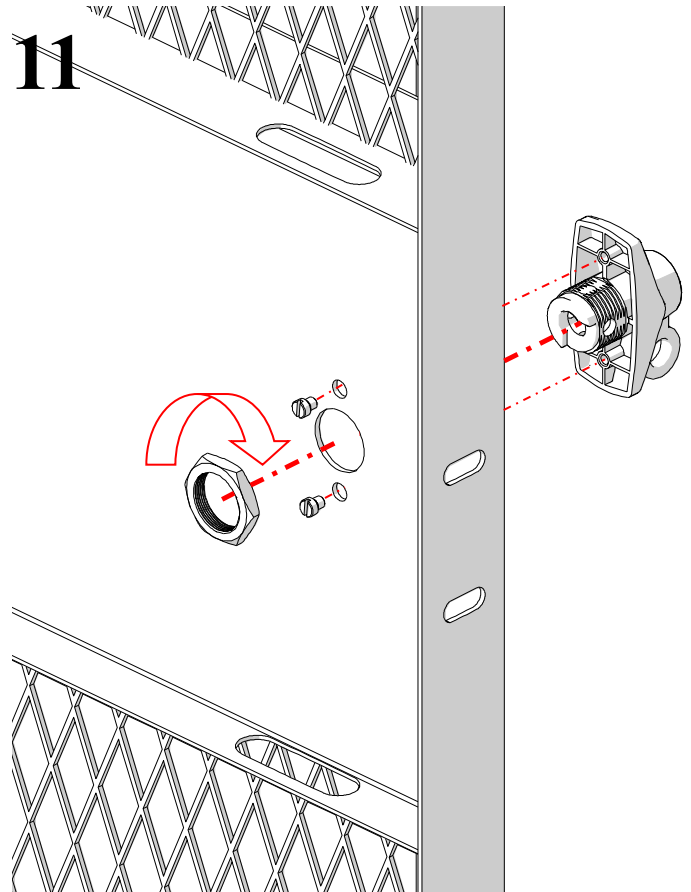


10

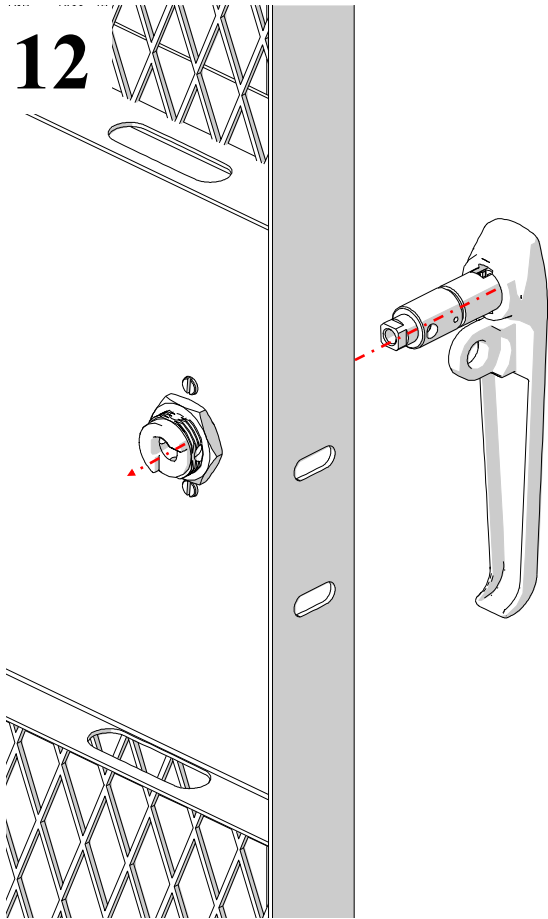
LOCKER MUST BE SQUARE AND PLUMB FOR PROPER DOOR ALIGNMENT.



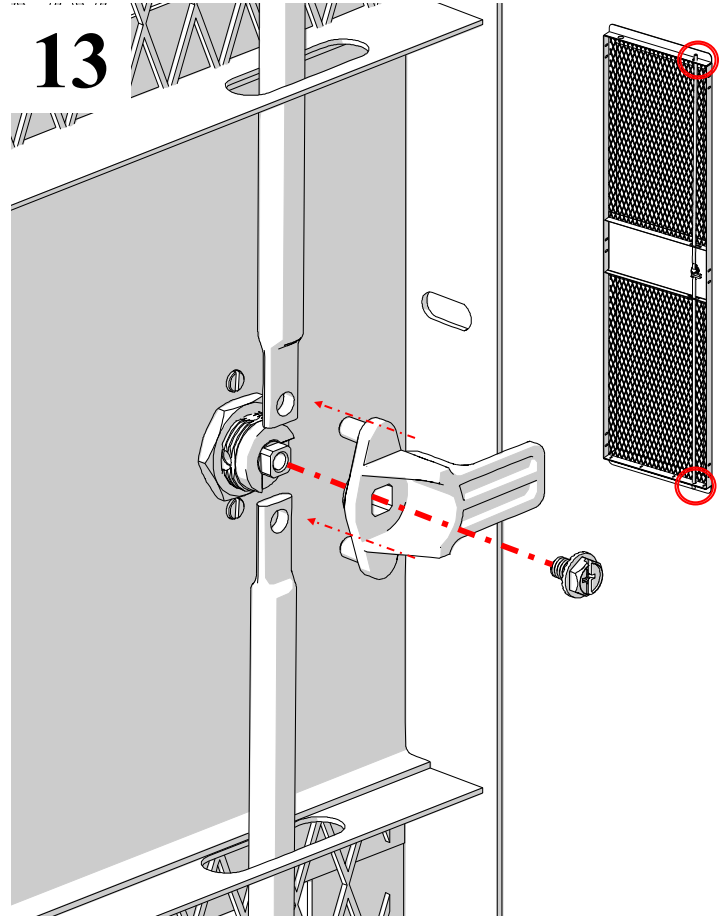
11



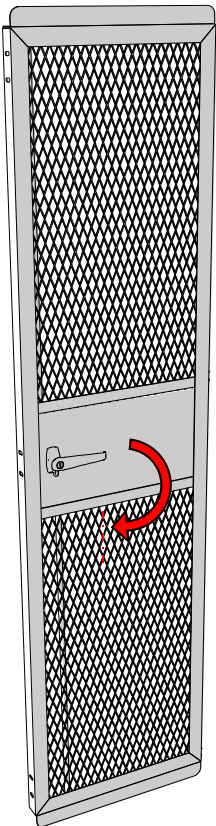
12



13

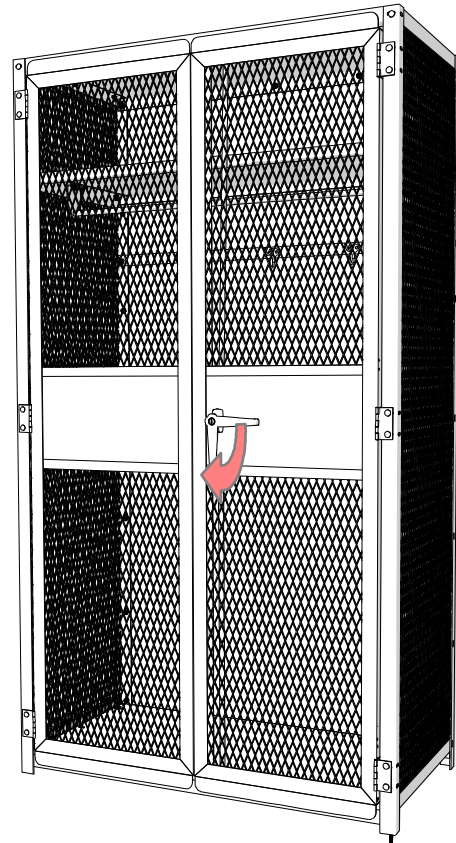


14



CHECK LOCKING ACTION  
AND ADJUST AS NEEDED.

15



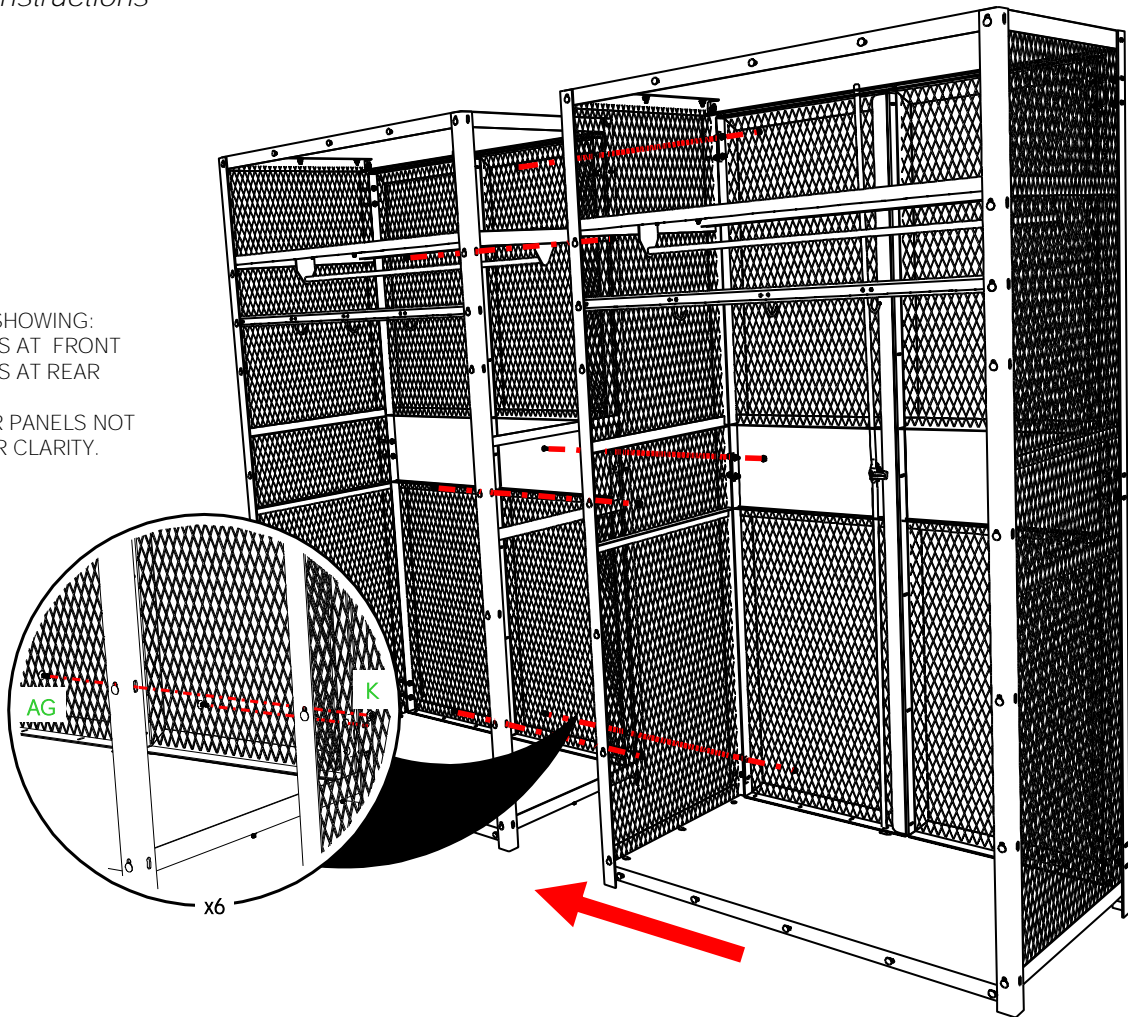


TA-50 Military Locker-Add-On Locker  
Installation Instructions

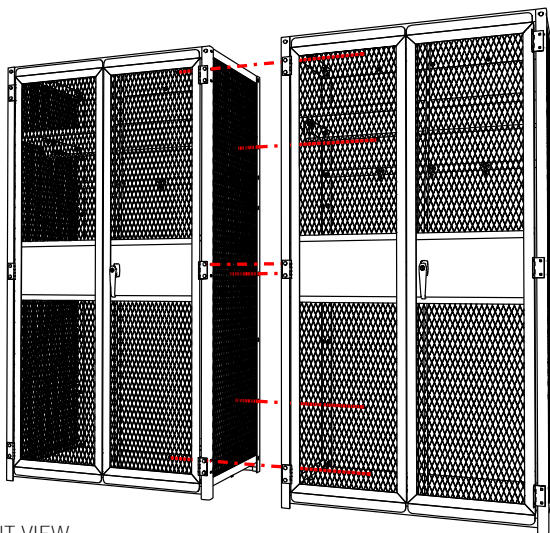
1

REAR VIEW SHOWING:  
3 FASTENERS AT FRONT  
3 FASTENERS AT REAR

NOTE: REAR PANELS NOT  
SHOWN FOR CLARITY.

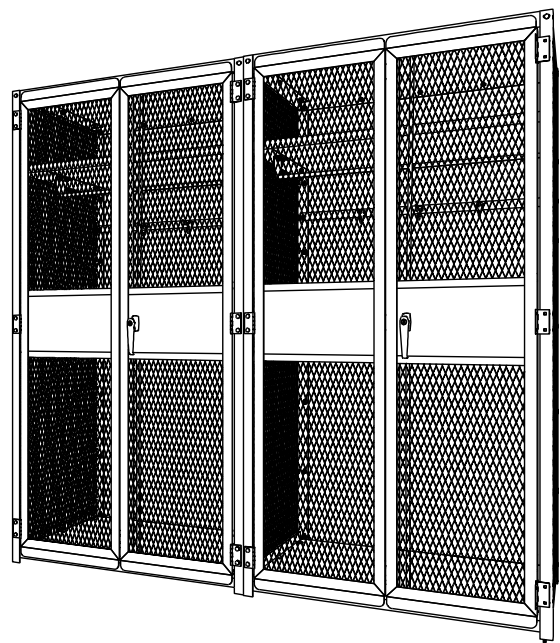


2



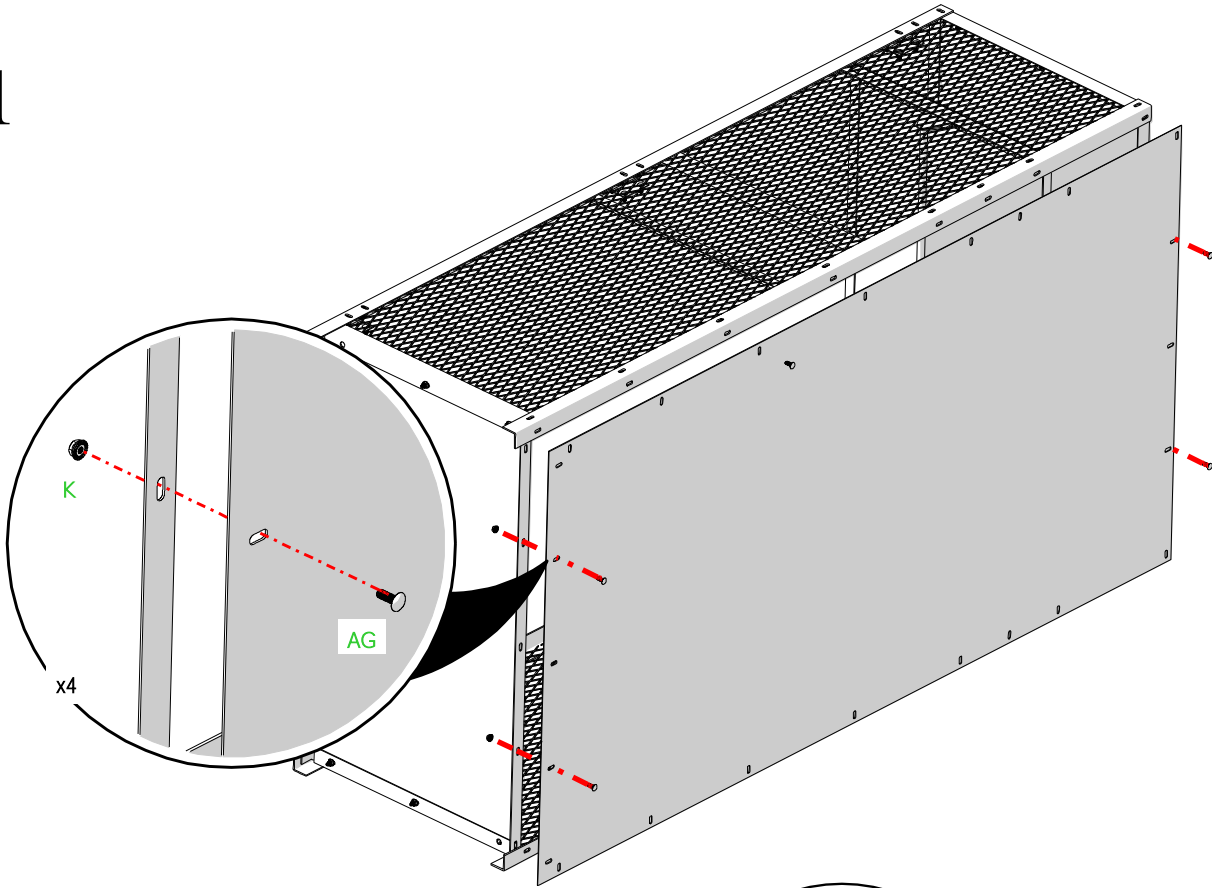
FRONT VIEW

3

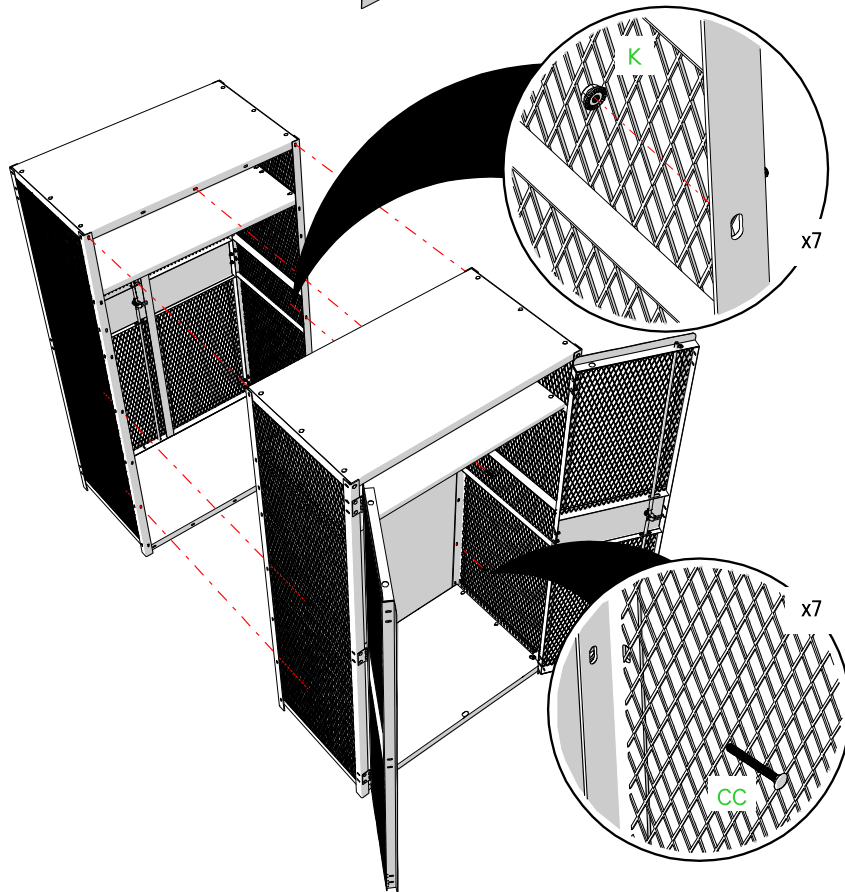


TA-50 Military Locker-Back to Back Lockers  
Installation Instructions

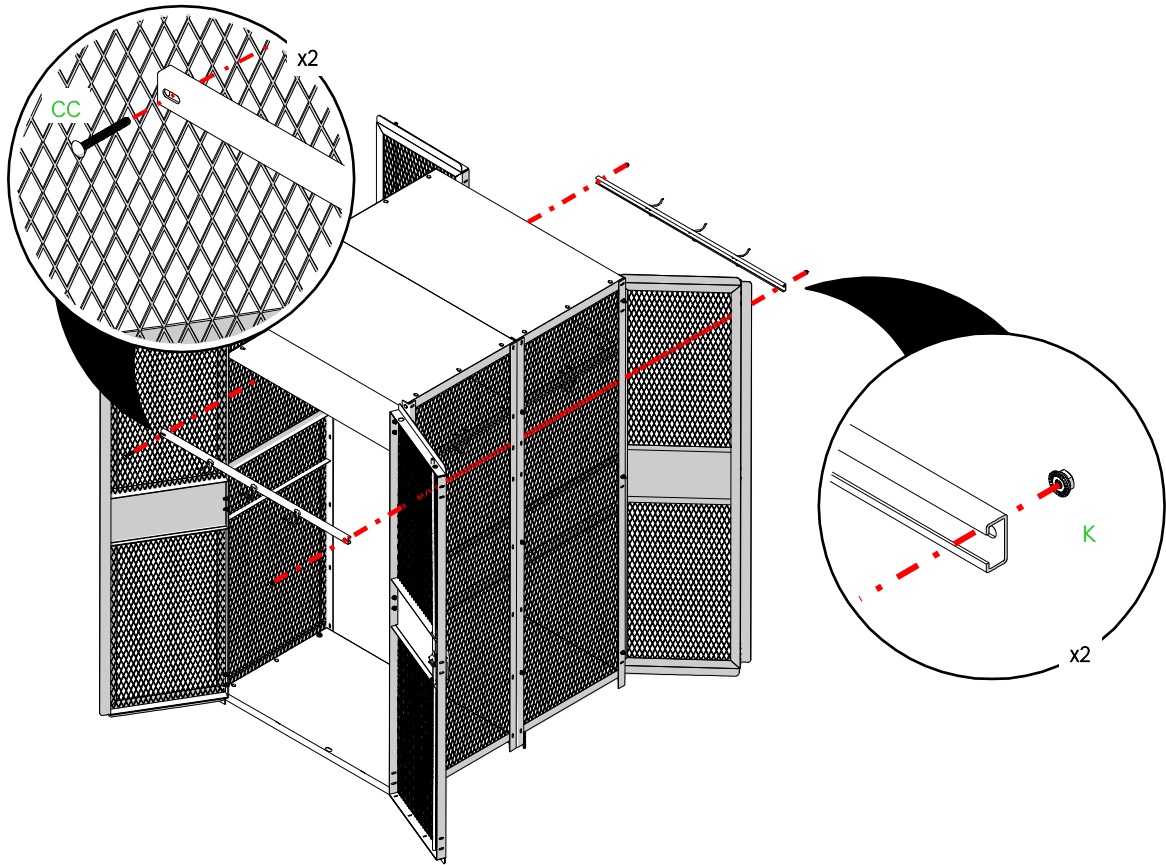
1



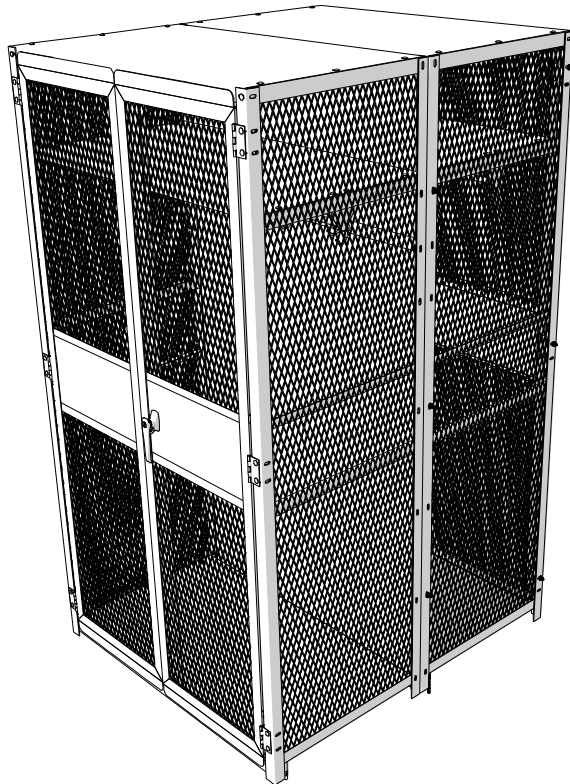
2



3



4



5

