

154 Beams Light Curtain Elevator Door Detector Q



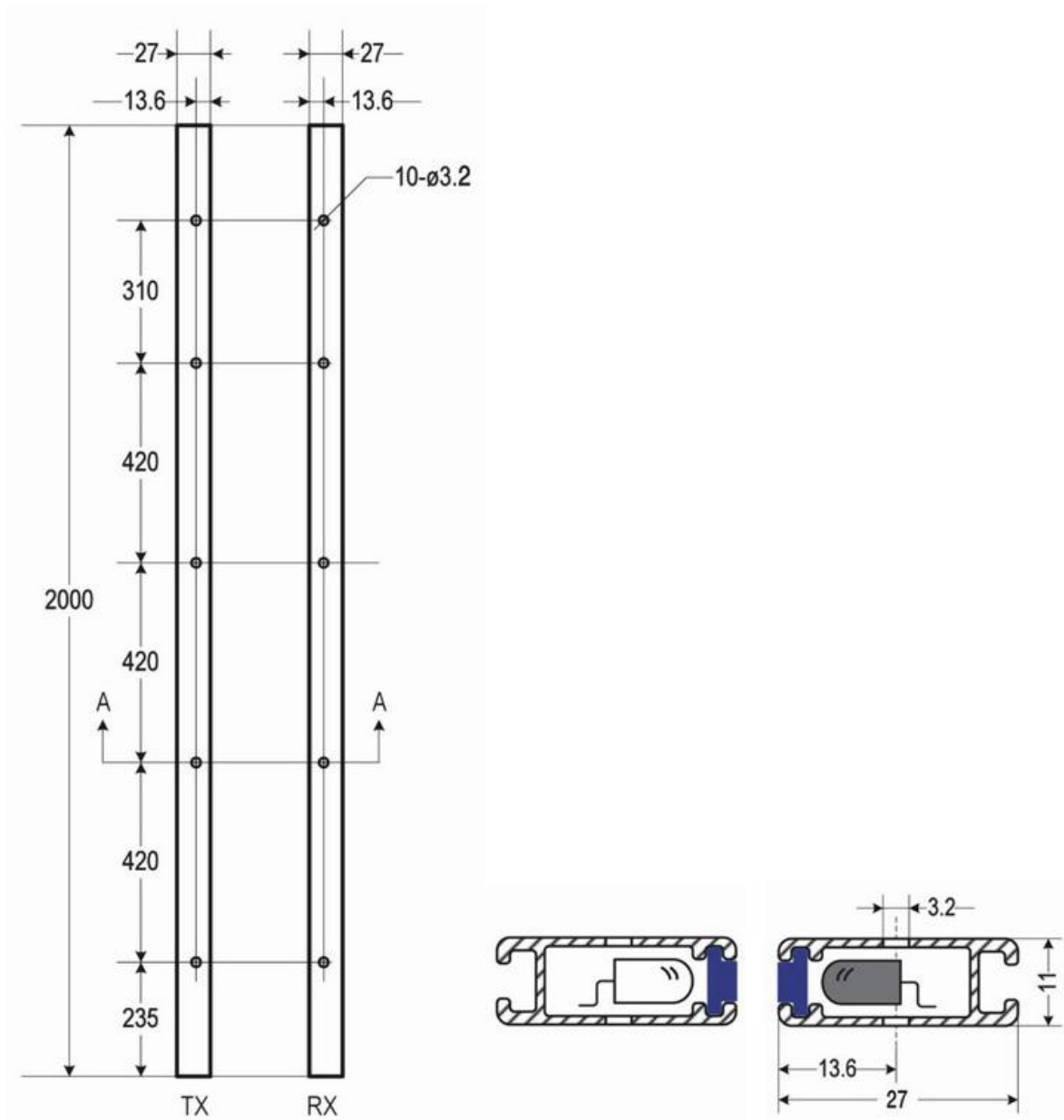
Technical Data:

Model	Q
Number of diodes	64
Maximum beams	154 beams
Highest Detecting height	1841 mm
Lowest Detecting height	20 mm
Profile dimension	2000mm (height) × 11mm (thickness) × 27mm (width)
Detecting distance	0 - 3000mm
Vertical tolerance	+/- 10mm,7°
Horizontal tolerance	+/- 3mm,5°
Response Time (Relay)	57.5ms
Cable reliability	30 million door movements
Power consumption	≤4W or 100Ma @ DC24V
Voice reminder	Buzzer In RX,after continuous detection for 15s,buzzer On
Light immunity	≥100000 LUX
EMC compliance	Emission to EN12015, Immunity to EN12016
Operating temperature range	-20℃ ~+65℃
IP Rating	IP54(TX,RX)
Vibration test	Random vibration 20 to 500Hz for 4hrs per axis(X,Y,Z) Sinusoidal vibration 30Hz for 30mins per axis(X,Y,Z)

Power Supply

Model	Voltage Range
AC220V	Input voltage 220V±15%
AC110V	Input voltage 110V±15%
DC24V	10-30V

Installation drawing:



Packing List

Item	Quantity
Control Box (Power Supply Unit)	1 PCS
Transmitter	1 PCS
Receiver	1 PCS
Flexible Cable	2 PCS
User Manual	1 PCS
Mounting Accessories	1 SET