

Description

DSM's LPA-100 is a flexure-based piezoelectric actuator ideal for both dynamic and static applications where precise and accurate positioning is required. The LPA-100 is mechanically preloaded to ensure bidirectional operation, providing increased resilience to mechanical load when compared to non-preloaded actuators. The mechanism design provides high-stroke operation in an exceptionally small package. The LPA architecture offers relatively high dynamic bandwidth capabilities for the nominal displacement range and mechanism size.



Specifications

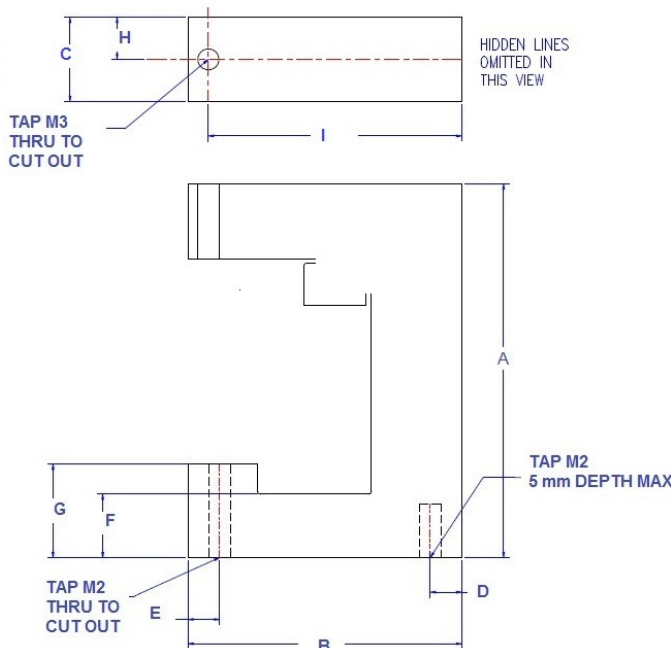
		Tolerance
Open-loop Travel (μm):	100	$\pm 10\%$
Operating Voltage (V):	-30 to +150	
Stiffness in motion direction ($\text{N}/\mu\text{m}$):	1.6	$\pm 10\%$
Unloaded resonant frequency (Hz):	3450	
Blocking Force (N):	160	$\pm 10\%$
Capacitance (μF):	1.80	Max
Material:	17-4 PH Stainless Steel	
Mass (g):	40	$\pm 5\%$

Options

(Contact DSM for current option pricing)

- Vacuum compatibility
- Connectors: Custom wire lengths and connectors available for your project
- Non-Magnetic compatibility

Geometry



	(mm)	(in)
Dim A:	35.56	1.4
Dim B:	27.15	1.1
Dim C:	8	0.3
Dim D:	3	0.1
Dim E:	4.17	0.2
Dim F:	6.05	0.2
Dim G:	8.89	0.4
Dim H:	4.01	0.2
Dim I:	24.64	1
Dim J:		
Dim K:		
Dim L:		