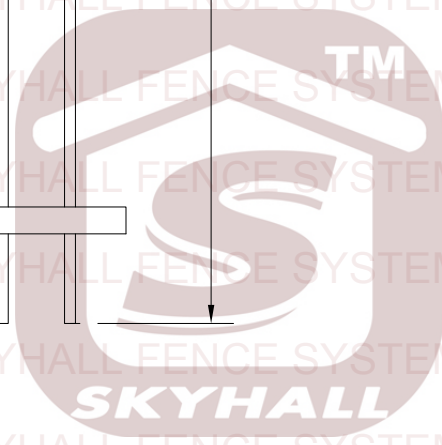
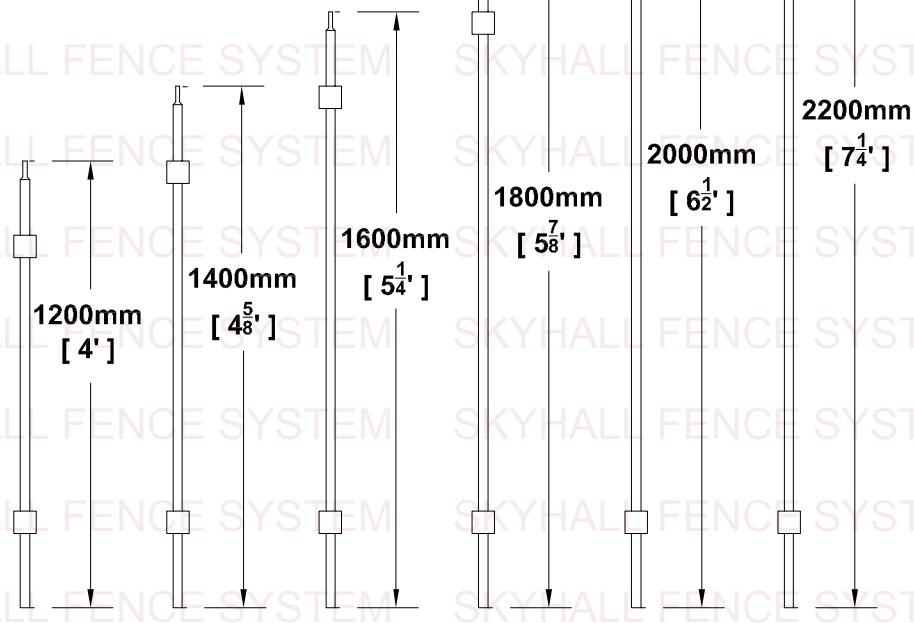
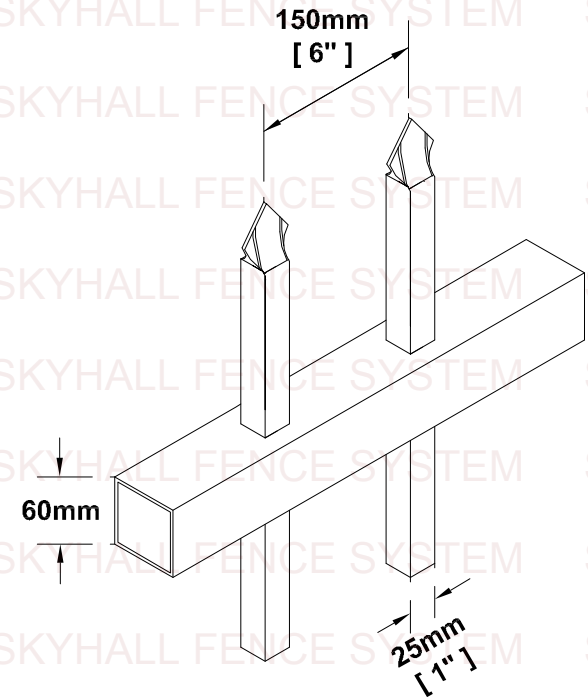
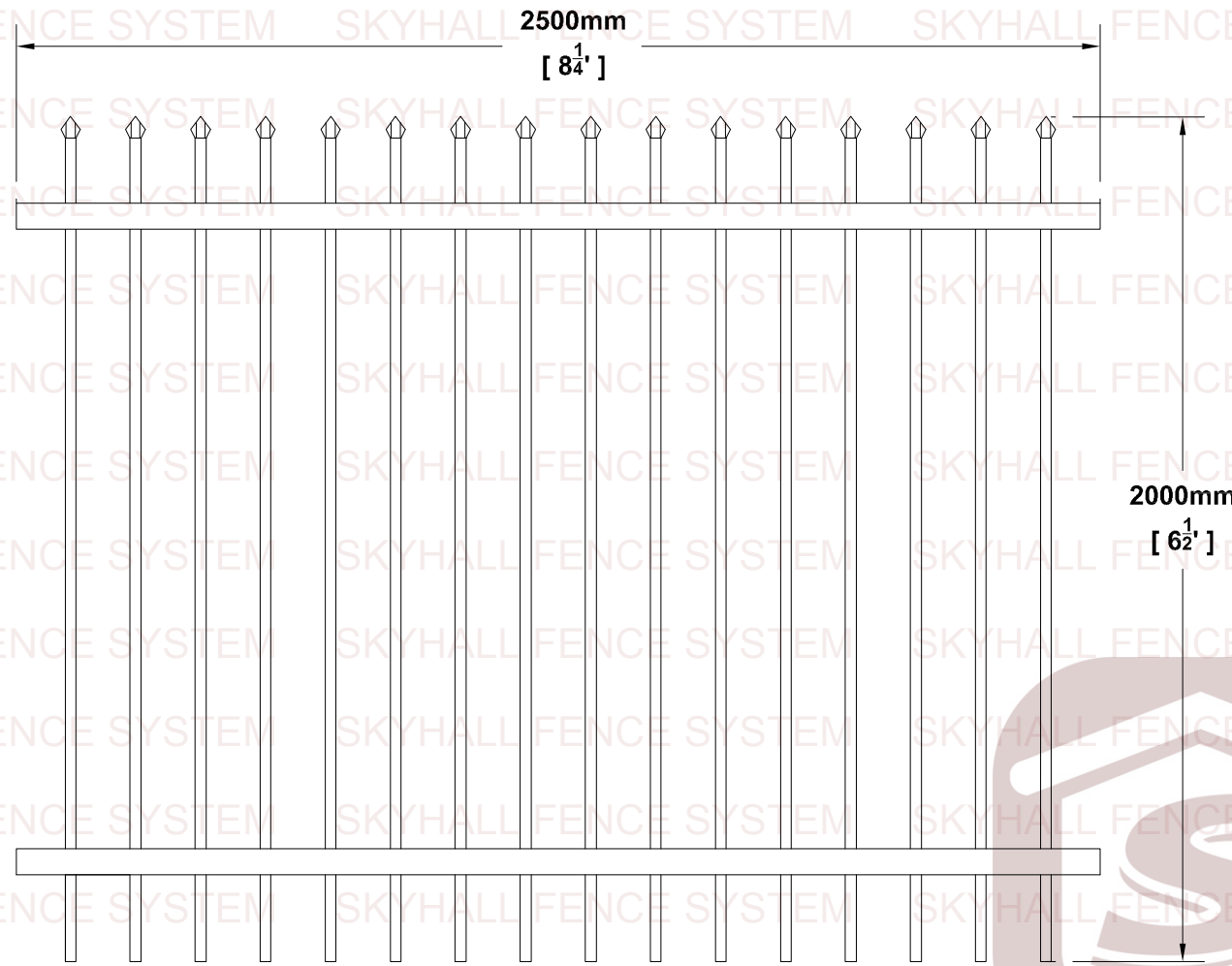


SKYHALL FENCE SYSTEM

ADDRESS: Room 1103, Import & Export building, #486 hepingxi rd, Xinhua district, Hebei province, China.

TEL: (0086) 311-8783-1537
FAX: (0086) 311-8610-2039

WEBSITE: www.skyhall.org
E-MAIL: info@skyhall.org



SKYHALL 510 SERIES (PICKET FENCE) SKYHALL FENCE SYSTEM				
Height	Width	Picket Size	Rail Size	Surface
1200mm [4']	2500mm [84 1/4']	20mm*20mm [3/4" x 3/4"]	40mm*40mm [1 1/2"]	hot-dipped galvanized
1400mm [4 5/8']		25mm*25mm [1" x 1"]	50mm*50mm [2"]	
1600mm [5 1/4']				
1800mm [5 7/8']	3000mm [9 7/8']	30mm*30mm [1 1/8" x 1 1/8"]	60mm*60mm [2 3/8"]	galvanized + PVC coated
2000mm [6 1/2']				
2200mm [7 1/4']				

Rev	Date	Changed	By	Material	Q195/235	Spec
01	n/a	n/a		Mass	N/A	
02						
03						
04						
05						
06				Status		Designer
07				Status by		Date

		DIN A3	
		Scale 1:1	

SKYHALL FENCE 510 SERIES PICKET FENCE (PANEL) H=2.00M, W=2.50M, PICKET 25MM*25MM			
Designer: RAY HAN Date: 2014-08-14			

SKH510A0001	
--------------------	--

THIS DRAWING AND THE RELATED INFORMATION IS AND REMAINS THE EXCLUSIVE PROPERTY OF SKYHALL WITHOUT THE PRIOR WRITTEN CONSENT OF SKYHALL. THIS DRAWING AND THE RELATED INFORMATION MAY NEITHER BE COPIED OR REPRODUCED, NOR COMMUNICATED IN ANY WAY TO A THIRD PARTY, NOR USED FOR MANUFACTURING OUTSIDE SKYHALL EACH INFRINGEMENT OF THESE INTELLECTUAL PROPERTY RIGHTS OF SKYHALL SHALL GIVE RISE TO LEGAL PROCEEDINGS.