

*duo swing*

**ERGON**  
LIVING

HFM = 2047

HP = 1997

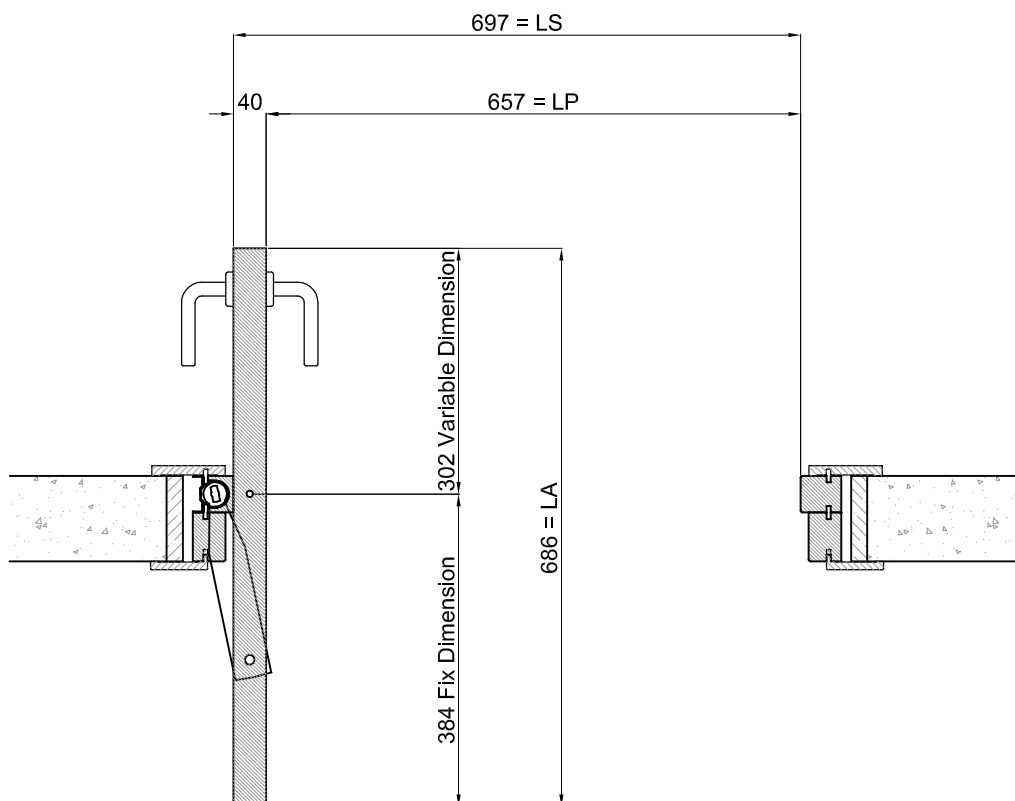
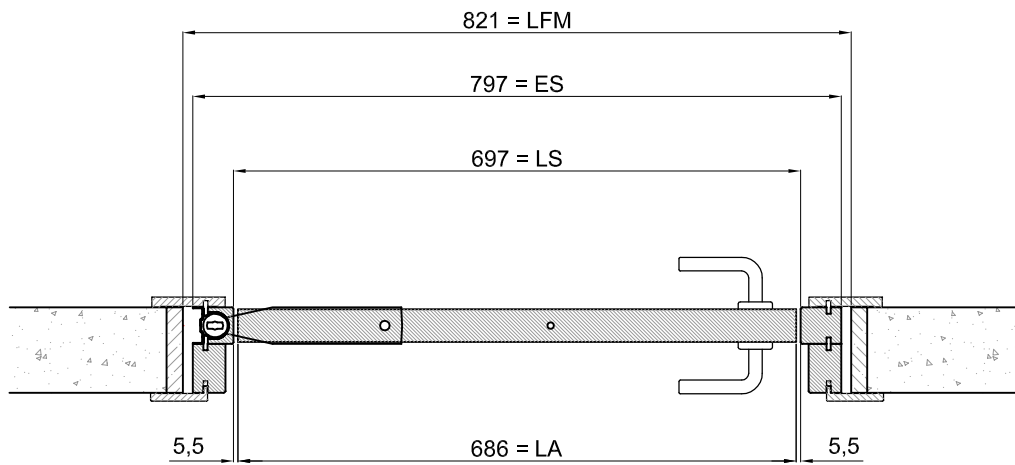
HA = 1981

**LEGEND**

- HP** = PASSAGE HEIGHT
- HA** = PANEL HEIGHT
- HFM** = OPENING HEIGHT

# duo swing

**ERGON**  
L I V I N G

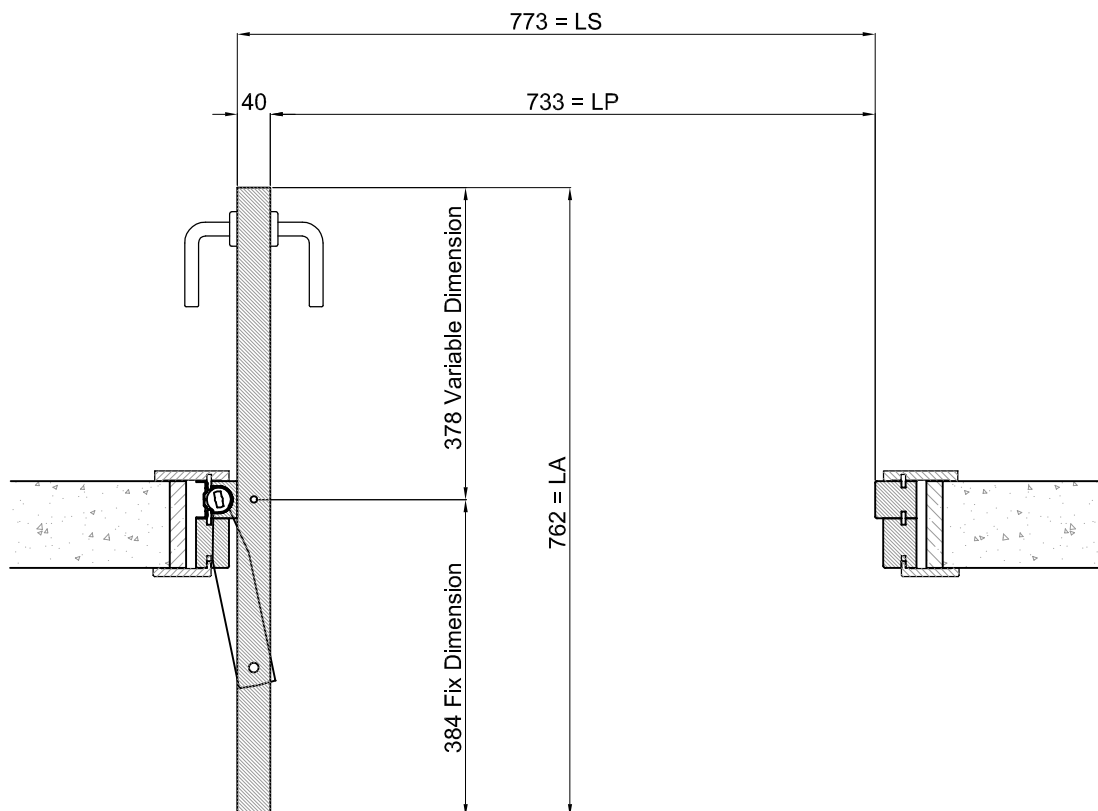
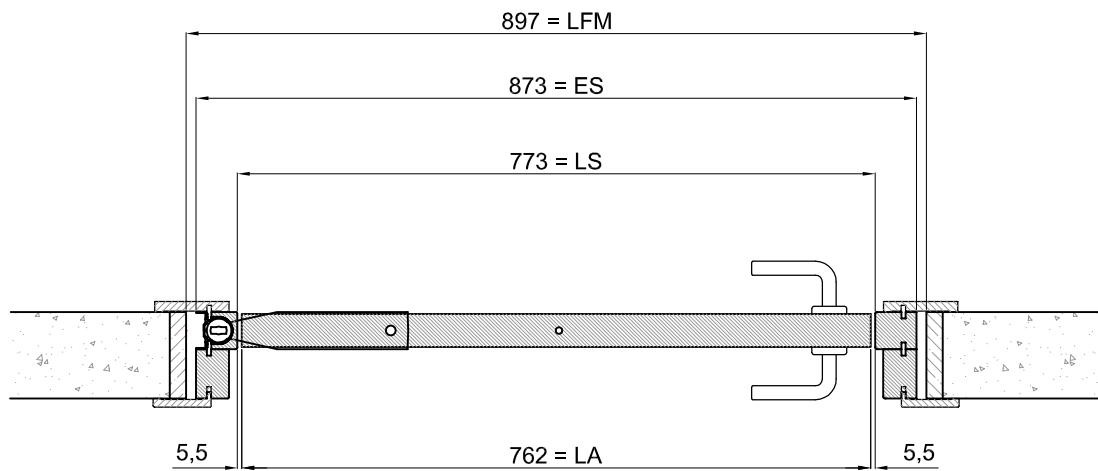


## LEGEND

<b>LP</b>	=	PASSAGE WAY
<b>LA</b>	=	PANEL WIDTH
<b>LS</b>	=	DOOR OPENING
<b>ES</b>	=	EXTERNAL JAMBS (length of the upper cross piece)
<b>LFM</b>	=	OPENING SIZE

# duo swing

 **ERGON**  
L I V I N G

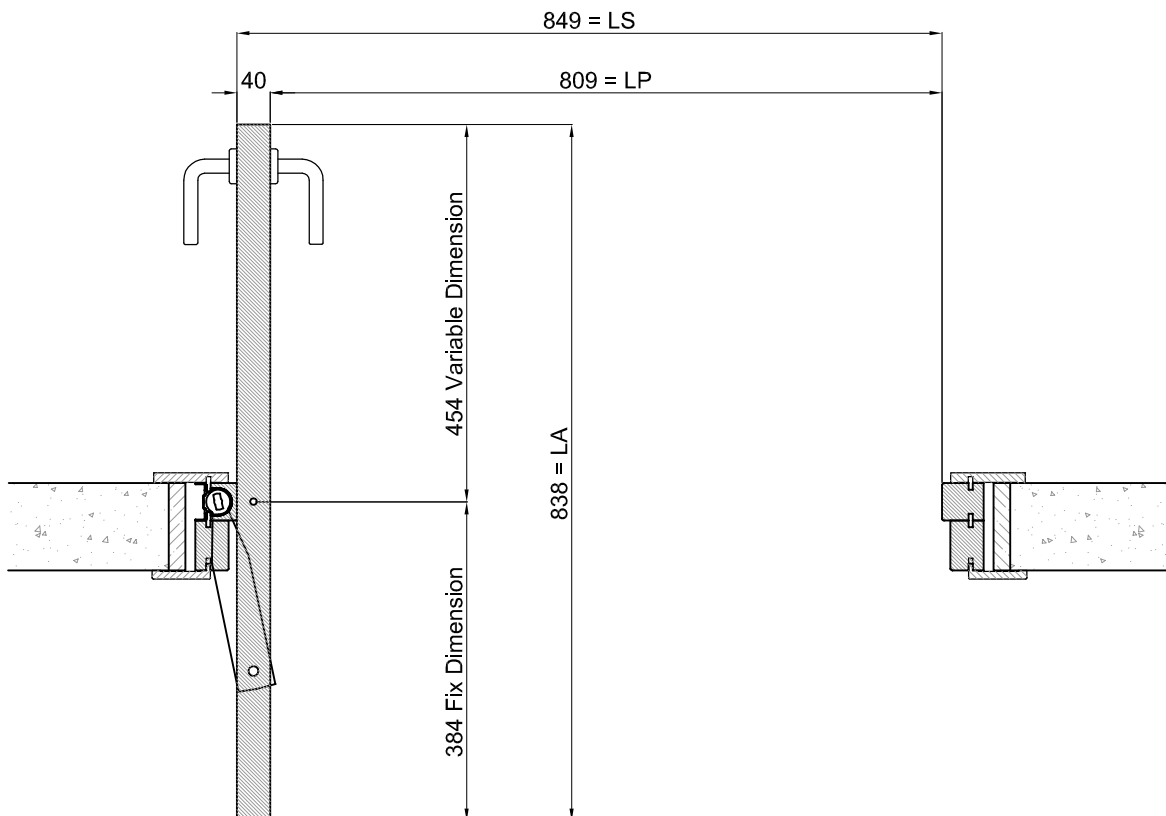
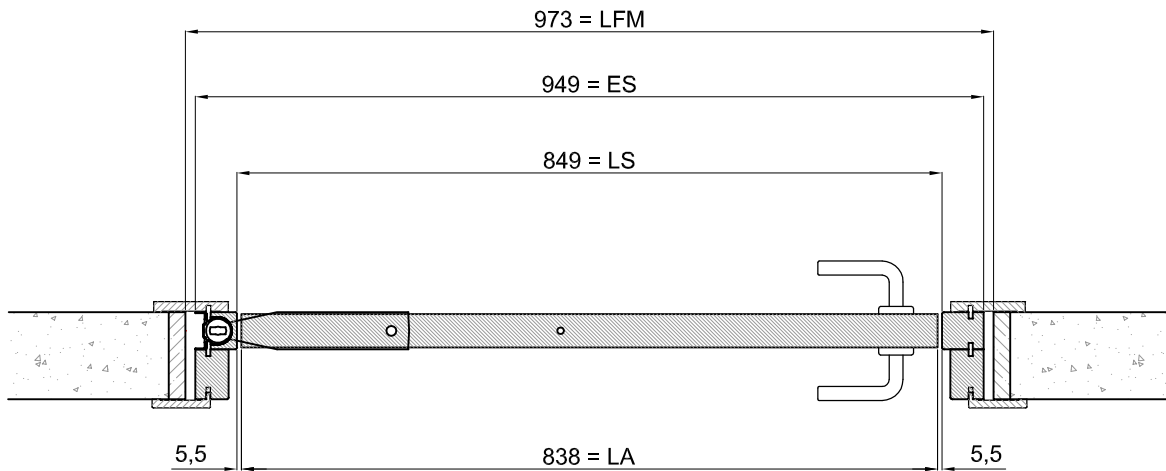


## LEGEND

<b>LP</b>	=	PASSAGE WAY
<b>LA</b>	=	PANEL WIDTH
<b>LS</b>	=	DOOR OPENING
<b>ES</b>	=	EXTERNAL JAMBS (length of the upper cross piece)
<b>LFM</b>	=	OPENING SIZE

# duo swing

**ERGON**  
L I V I N G



## LEGEND

<b>LP</b>	=	PASSAGE WAY
<b>LA</b>	=	PANEL WIDTH
<b>LS</b>	=	DOOR OPENING
<b>ES</b>	=	EXTERNAL JAMBS (length of the upper cross piece)
<b>LFM</b>	=	OPENING SIZE