

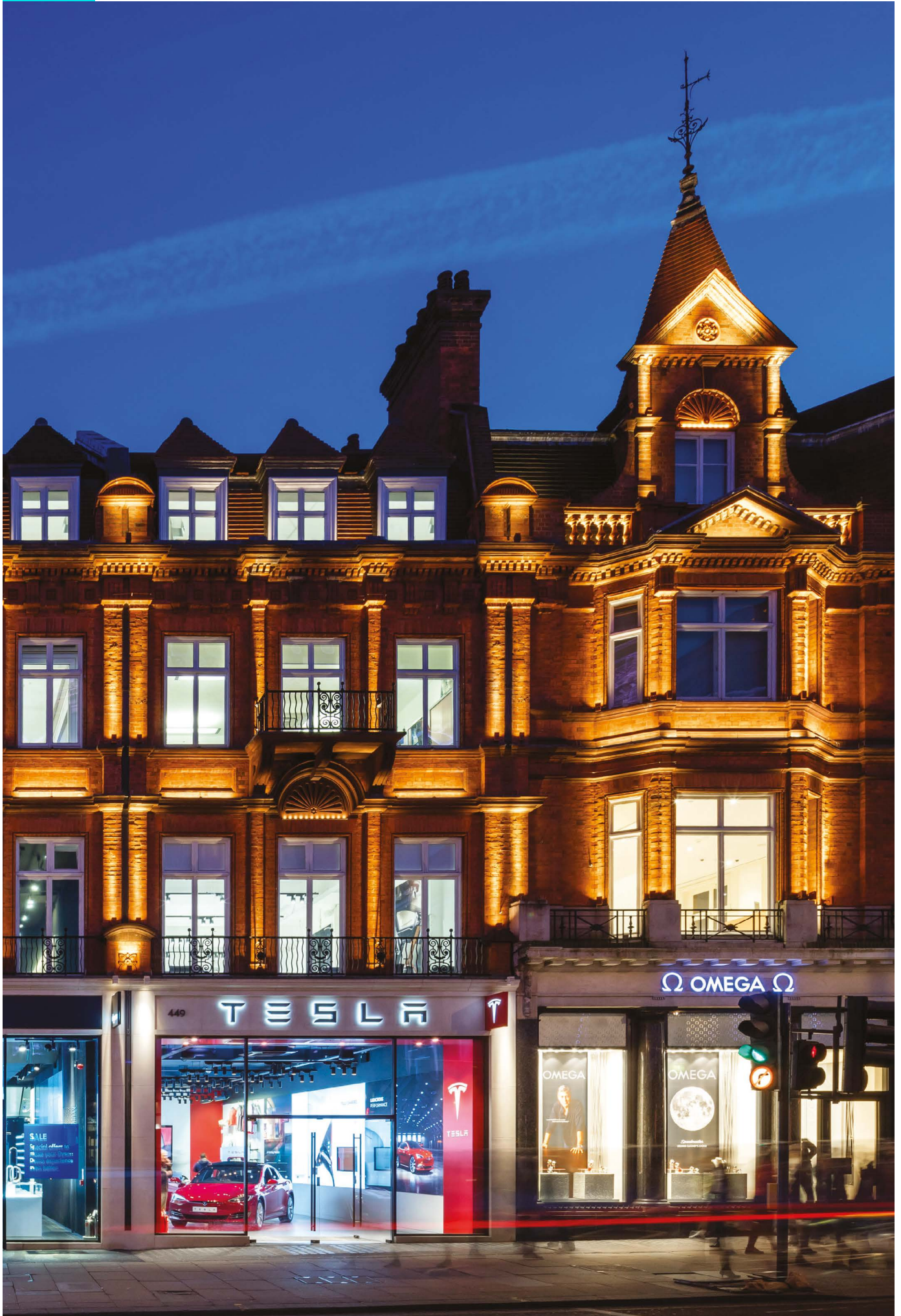


**acdc**

# **WHAT WE DO**

**PRODUCT AND APPLICATION GUIDE**

member of **zumtobel group**





# WHAT'S INSIDE...

## 05. WHY acdc?

## 12. THE acdc SIX CONSIDERATIONS OF LIGHTING

### 26. WHAT WE MAKE FOR OUTDOOR

#### 27. FLOODLIGHTS

#### 29. PLAZA

#### 41. FUSION

#### 49. IN-GROUND

#### 51. GALLI

#### 55. MAGNA

#### 59. Q

#### 63. LINEAR

#### 65. BLADE

#### 73. VISTA

### 76. WHAT WE MAKE FOR INDOOR

#### 77. DOWNLIGHTS

#### 79. NOVUS

#### 117. AIR

#### 151. DARC PRO

#### 165. ARENA AND GIO

#### 177. ACCENT

#### 179. ECLIPSE

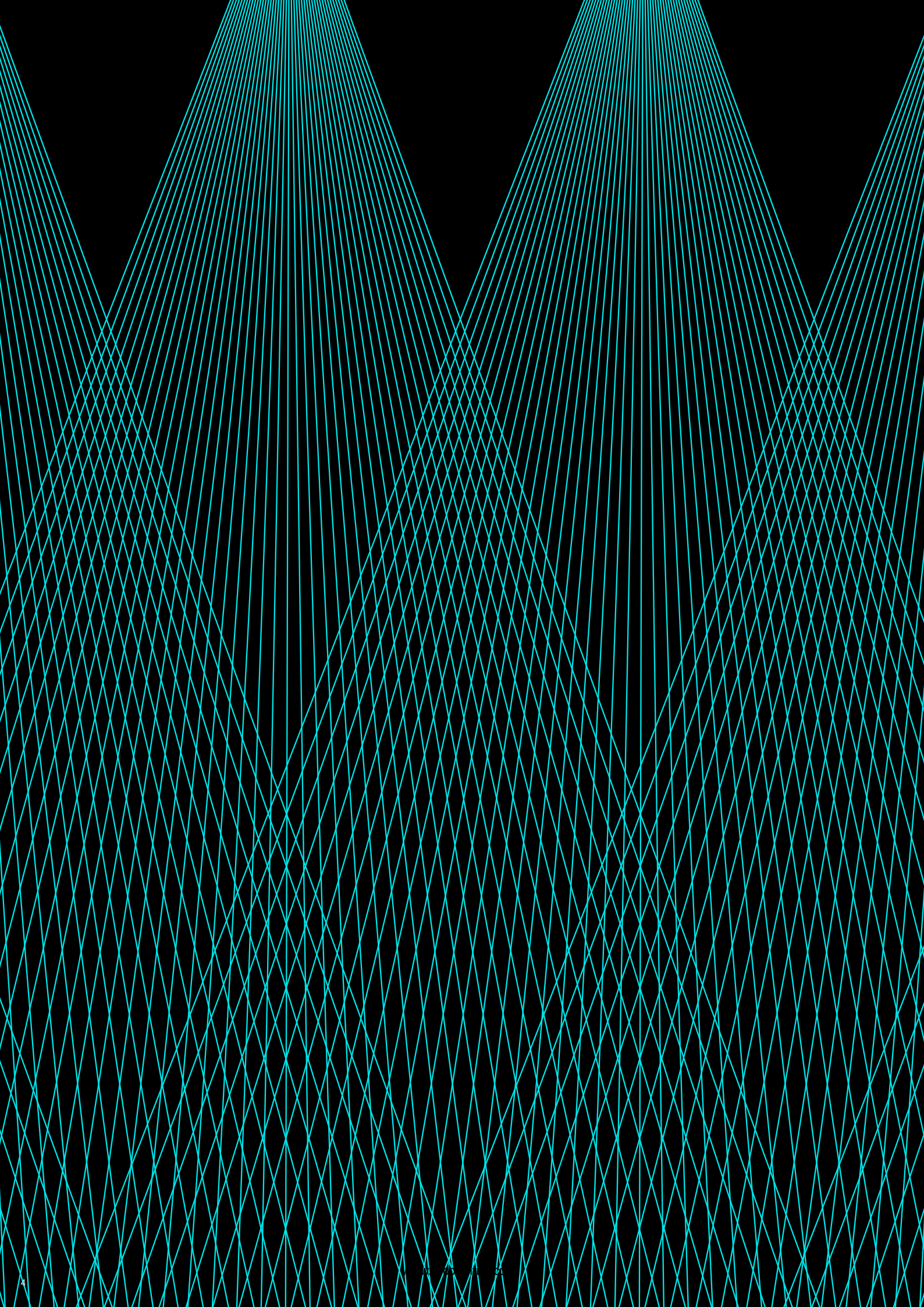
#### 183. GALAXY AND MONDO

#### 191. COVE AND INTEGRATED

#### 193. ORELLE PRO

NEW  
PRODUCT

NEW  
PRODUCT







**why**

**acdc**

**?**





OUR

**VISION**

TO BE THE

**CREATIVE DRIVING FORCE**

**IN ARCHITECTURAL LIGHTING**





OUR

**PURPOSE**

TO

**AMAZE**

Lighting can turn spaces into experiences. Using the captivating power of light, we change the way people see or react to buildings, environments and the space around them.

We make the normal interesting. We make icons iconic. We make the exciting amazing and the impressive unbelievable.

Our combination of high quality engineering, attention to detail and technical expertise enable our customers to be creative with light.

Through an uncompromising commitment to design and innovation, we have established ourselves as a global leader in LED lighting for the architectural, hospitality and residential markets.

With a collaborative and flexible approach, we go out of our way to provide an outstanding experience for our customers.

We can't wait to get creative with you.







OUR

**PROMISE**

TO

**CREATE AMAZING  
EXPERIENCES  
WITH LIGHT**

### HOW DO WE DO THIS?

We are best known for making buildings look stunning - we put our lights exactly where they should be to give you a warm feeling inside.

First, we listen to you because every great relationship starts with understanding (and conversation), then...

We help you to see what light can really do - we look at what you want to light and we show you how we would do it.

If we don't have what you need, we make it - it's that simple.

It really is customer LED (see what we did there).

# OUR DESIGN APPROACH

You know the saying different strokes for different folks? Well, to make sure you get exactly what you want, we like to involve our network of creative lighting designers, large contractors, architects and (of course) the end customers from all over the world to contribute to our product designs.

We get them involved from the start to talk about what is essential to each and every one of them and work what they need into our product design.

This isn't simply 'look' although (obviously) that is one of our main considerations, but we want to create an all round star to keep everyone happy.

This will be things like - how does it look? (is it attractive and does it blend into it's new home). Does the light highlight exactly what it is meant to? (and not the area around it). How easy is it to install and maintain? (so we don't have to revisit it again and again). Do the colours look the same everywhere you go across the project? (consistency is key for us with our two step macadam approach).

Then we get on to the fun bit - how do we make everybody's wish into a reality?

We start the engineering process with application first - or what kind of light we want to put where.

We know you want to see only what you are lighting. We make our lights small and sleek, so that you just see the effect around the light (rather than the light and source itself).

And we develop all our products as part of a (very good looking) family - they all look the same and complement each other. Even down to their colour, which is controlled by 2-step MacAdam - it doesn't look different from one place to the next.

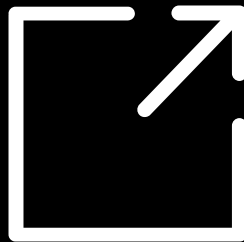
If our products can get any more attractive - they operate globally in a range of scorching and baltic climates, which ensures constant operation in extreme conditions.







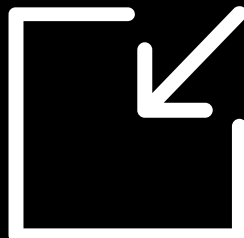
# WHERE WE ARE



**OUR PRODUCTS ARE  
ALL OVER THE WORLD**

**WE HAVE OFFICES IN  
23 MAJOR GLOBAL COUNTRIES**

**NEAR OR FAR WE ARE  
ALWAYS CLOSE TO YOU**



There is a nearby acdc person who wants to come to visit you - call +44 (0) 845 862 6400 or visit [www.acdclighting.co.uk](http://www.acdclighting.co.uk) to find your nearest one.

# **THE SIX acdc**

## **CONSIDERATIONS OF LIGHTING**

**WE ALWAYS SUGGEST 6 SIMPLE METHODS WHEN  
DESIGNING A LIGHTING SCHEME,**

**CONSIDERING; CONTEXT, COLOUR, CONTRAST,  
CONTROL, PEOPLE AND GLOBAL APPLICATION.**

**TO BRING OUT THE HISTORY, COLOUR, TEXTURE AND CHARACTER  
WE LOOK AT HOW ONE FACADE IS BALANCED WITH ANOTHER.**

**IN THE NEXT PAGES WE WILL TAKE YOU THROUGH THEM.**



**CONTEXT**

**PEOPLE**

**CONTRAST**

**COLOUR**

**CONTROL**

**GLOBAL APPLICATION**



# CONTEXT

## LIFE IS A STORY

Lighting is not only about making something look good or pretty (but we don't have to tell you that). We all know there's a lot more to it.

A good lighting scheme provides so much to a space - it gives a focus for the eye and makes a space unique, drawing people into the community - which can mean additional investment in the area (happy days!)

We think about how people use the building and how can we create a point of reference using the power of light to create meeting areas, destination points or communal space in the hours of darkness?

The specifier should take note of the mounting options available to illuminate the building - they need to hide the fittings from view during daylight hours. Not because our fittings are big or don't look good (far from it). But the viewer should be able to appreciate the building or structure in its natural state and be amazed at night.



# PEOPLE

## QUALITY OF LIFE

People are at the centre of any new lighting design - it's about how they interact and feel within the space. We like to think about what emotions we can stir with the power of our lighting.

Essentially it's about how we can create unforgettable memories and how the emotions we influence will attract them back to the space (time and time again).

We've already said that lighting can give the space identity, breathing new life into a public area in the hours of darkness. Local residents swell with a sense of pride seeing their local area made so beautiful...allowing them and others to come and enjoy the space as they see fit - they can sit alone, meet with friends, enjoy the view. They familiarise themselves with the space making them feel secure.

People's viewpoint is so important, they need to be able to enjoy the light and not be blinded by it. How accessories are applied is crucial and the control of the lighting is key to enhancing this experience. How the lighting is dimmed can create scenes of light to reflect the time of day, a key local event or a national celebration (any excuse for a party).





# CONTRAST

## EXPLORE, EXPERIENCE AND PLAY

There are two things to think about here, the functional (essential) lighting in an urban space and the architectural illumination (the creative stuff). The balance between these set the scene for our nightly townscapes. We want to encourage maximum use of the space with our lighting - to explore, experience, play (and more than anything) enjoy.

Now for the technical bit...It is the play of light and shadow and the ratio between the two that will shape a project.

Will a façade be lit with a uniform wash of light by fittings that are offset?

Will there be surface mounted linear fittings grazing up the façade framing the height, colour and texture?

How will this balance with the perimeter public lighting or lighting to the urban streets? (so many questions).

A key ingredient in the lighting of a public realm space can be to backlight a façade or integrate the lighting into it. The direct and diffused light produced provides a positive contribution to its surroundings...







# COLOUR

## COLOUR SPEAKS LOUDER THAN WORDS

There are two things colour needs to be when we talk about lighting. Dynamic and Consistent.

When using a single colour temperature on a project - lets take 3000K (for instance) its essential the colour and lit effect is consistent (and we mean absolutely everywhere).

It is the quality of the tight binning of the LEDs used that will enable a premium lit effect (that's why all ours are tested to a two step macadam).

Materials and finishes can be brought to life, a warm white grazing up a red brick brings out the textures and backlighting diffused glass with a soft colour graze to create luminous vertical backdrop to a city square is stunning (don't take our word for it, look up our Stadkamer project).

One to note, we have experienced times where the local community have had very strong opinions about coloured light or a dynamic white scene. In cases like this, the application needs to be careful and considered.

We talk about creating a new identity for the space, and nothing does this better than a controlled lighting scheme with pre-programmed scenes transforming the space completely, making it unique whilst enticing people through lighting.



# CONTROL

## TAKE TOTAL CONTROL

The control of the lit effect can enable the visitor to have a whole new experience every time they visit.

Control doesn't have to mean blue to red to yellow over 3 seconds, it can be the play of the intensity of the light...a change from warm white to cool white. Or having only a few defined scenes of light that change automatically over a year during the seasons.

Control can mean the slow movement of light that responds to the movement of people over a bridge. Or changing the colour to pay respect to a global charity day.

How the external space is used at night can inform the control of lighting, and this can differ from weekdays to weekends, holiday seasons or celebrations. This can constantly evolve as we learn about how the usage of the space changes shape.







# GLOBAL APPLICATION

## ALL AROUND THE WORLD

The lighting industry is a global network of people like us, designers, specifiers and engineers. We know that the products specified need to be suitable for the country, location and environment of their new home.

Whether it is cold, or hot, or both, the operating ambient temperature is an essential part of any specification. The acdc external range of  $-20^{\circ}/+50^{\circ}$  (they are tough cookies) allows the luminaires to be used for global applications.

All our external luminaires can be installed to do the job, they can be commissioned exactly to requirements and accessible from a central point. We manufacture a premium custom optic range to ensure that the light is focussed upon the building and not the night sky.

The longevity of a scheme is also key to the success of a design. You want your award winning design to withstand the extremes of weather and look as good as it did when it was first installed (goes without saying), so it can be admired and enjoyed for years to come.







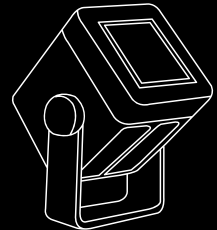
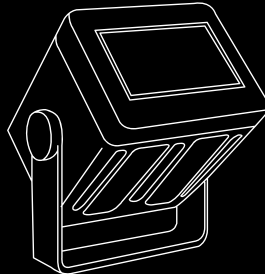
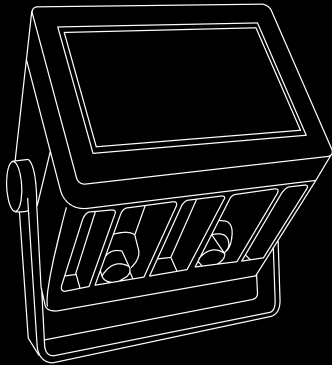
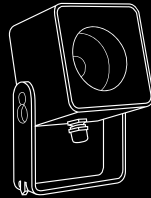
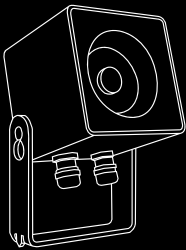
# **WHAT WE MAKE FOR OUTDOOR**

**OUTDOOR ARCHITECTURAL PRODUCTS**



# FLOODLIGHTS

## PLAZA FUSION







WATCHES & SWITZERLAND

العربية العود



# PLAZA

**TRANSFORM  
THE NIGHT**

PLAZA is a family of five compact surface mounted floodlights that dramatically change the way we experience the night.

These versatile powerhouses have a lot to give - they love illuminating architectural façades, detailed niches and structures, transforming the night and shaping our view of a townscape. They steer our gaze by emphasising colours, textures and detail, giving personality and character to a space.

PLAZA creates amazing and unforgettable experiences that people will want to revisit time and time again.

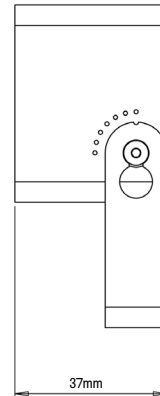
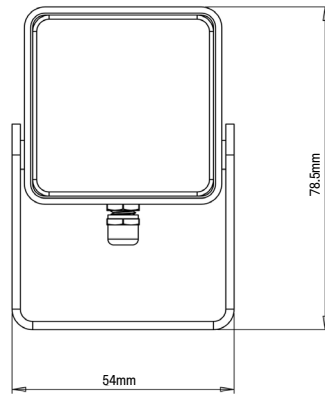


# PLAZA S3x



**A POCKET SIZED, SURFACE MOUNTED ARCHITECTURAL FLOODLIGHT THAT DELIVERS 320 LUMENS**

**IP67**



## FEATURES

**Minimalistic Design:** Simple minimalist design with solid construction. Incredibly small and beautifully designed to blend seamlessly within the architectural environment. Plaza S3x is constructed with 6063 grade aluminium and finished in a specialist corrosion resistant powder coat paint to ensure the long life integrity of the product.

**Clean Beam Design (CBD) with wide optic choices:** The optics and internal detailing of the luminaire have been designed to ensure outstanding control of the beam angle and the cleanliness of the overall lit effect, without stray light or unpleasant imaging. We have a multitude of optics from narrow flood and linear, plus multiple colour temperature options.

**Deep recessed Single Source LED with integral snoot to minimise glare:** The 320 lumen single chip LED is positioned 15mm from the front of the luminaire to hide it from view. The matt black integral snoot aids in hiding the source from view to ensure the visual comfort of the luminaire.

**Broad choice as standard:** PLAZA S3x has a wide range of beam angles and colour temperatures that allows you to tune and control the light. PLAZA S3x has a highly efficient linear optic for highlighting pillars and architectural niches. Black and white are our standard colour finishes, however if you need the fitting to match a design we can offer RAL colours to customise your design.

**Complete Glare Control:** PLAZA S3x has been designed to give you the ultimate in glare control, hiding the light source from the observers so they have a perfect view without any glare.

**Installation and mounting:** Surface or wall mounted on adjustable bracket. Ground spike and tree strap accessories available. Can be adjusted on site by +90°/-120°. Plaza S3x is individually pre wired.



## GLOBAL APPLICATION

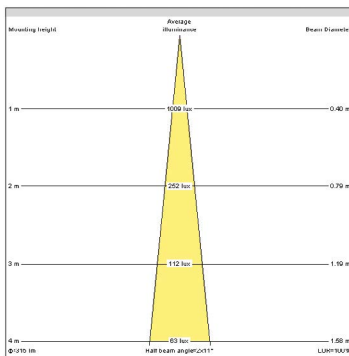
Floodlighting on building façades, surroundings and highlighting objects in the public realm. They are suitable for outdoor applications with IP67 and for use in ambient temperatures ranging from -20°/+50°C. Providing a level of safeguard when used in extreme and challenging external environments.



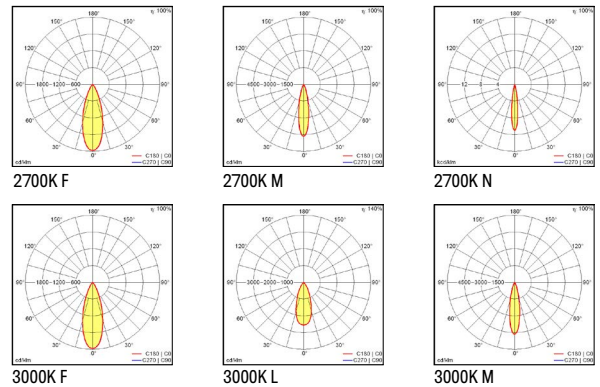
## LIGHT SOURCE INFO

ENGINE TYPE	CRI	OPTIC	COLOUR TEMP (K)	LUMINAIRE LUMEN OUTPUT (lm)	LUMINAIRE LUMENS PER CIRCUIT WATT (lm/cW)	POWER CONSUMPTION. INCLUDING 85% EFFICIENT DRIVER (W)	LIFETIME L70. BASED ON TM-21	COLOUR CONSISTENCY
PLAZA S3x	80	NARROW	2700	337	74.9	4.5	>50,000 HOURS	2 STEP MACADAM ELLIPSE
	80		3000	376	83.6	4.5		
	80		4000	433	96.2	4.5		

## CONE DIAGRAM



## POLAR PLOT



## BUILD YOUR PRODUCT

PRODUCT		LIGHT ENGINE		OPTICS		FINISH		CABLE		PROTECTION	
PLAZA S3x 320	PLAZA S3x 320	80CRI 2700K	-827	NARROW 15°	N	WHITE	WH	2M FLYING LEAD	2M	IP67	67
		80CRI 3000K	-830	MEDIUM 22°	M	BLACK	BK				
		80CRI 4000K	-840	FLOOD 35°	F	RAL	RAL				
				LINEAR HORIZONTAL 46°x11°	LH						
				LINEAR VERTICAL 11°x46°	LV						
PLAZA S3x 320		-827		N		WH		2M		67	

## PLAZA S3x EXTRAS



GROUND SPIKE  
21100170



TREE STRAP  
21903362

## FREQUENTLY SPECIFIED

PRODUCT DESCRIPTION	CODE
PLAZA S3x 320-827 N WH 2M 67	21013580
PLAZA S3x 320-827 M WH 2M 67	21013582
PLAZA S3x 320-827 F WH 2M 67	21013584

PRODUCT DESCRIPTION	CODE
PLAZA S3x 320-830 N WH 2M 67	21013590
PLAZA S3x 320-830 M WH 2M 67	21013592
PLAZA S3x 320-830 F WH 2M 67	21013594

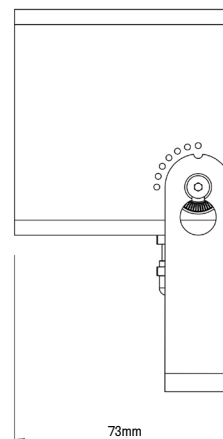
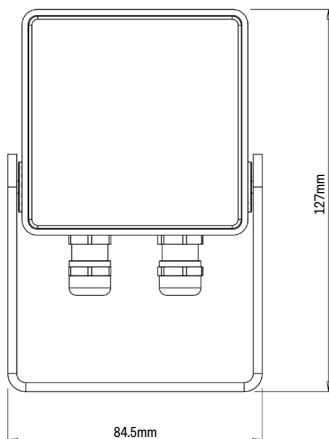
	DRIVER	CODE
SW	DRIVER 1900/B/350/SWT/NONE/IP20	2110088
DALI	DRIVER 1900/E/350/DALI/MULTI/IP20	2110096
DMX	DRIVER 1900/E100/350/DMX/MULTI/IP20	21903532

# PLAZA S7x



**A MINIATURE, SURFACE MOUNTED SINGLE COLOUR ARCHITECTURAL FLOODLIGHT THAT DELIVERS 700 LUMENS**

**IP67**



## FEATURES

**Minimalistic Design:** Simple minimalist design with solid construction. Incredibly small and beautifully designed to blend seamlessly within the architectural environment. Plaza S7x is constructed with 6063 grade aluminium and finished in a specialist corrosion resistant powder coat paint, to ensure the long life integrity of the product.

**Clean Beam Design (CBD) with wide optic choices:** The optics and internal detailing of the luminaire have been designed to ensure outstanding control of the beam angle and the cleanliness of the overall lit effect, without stray light or unpleasant imaging. We have a multitude of optics from super narrow and flood, plus multiple colour temperature options.

**Deep recessed Single Source LED with integral snoot to minimise glare:** The 700 lumen single chip LED is positioned 30mm from the front of the luminaire to hide it from view. The matt black integral snoot aids in hiding the source from view to ensure the visual comfort of the luminaire.

**Broad choice as standard:** PLAZA S7x has a wide range of beam angles and colour temperatures allowing you to tune and control the light. PLAZA S7x has a highly efficient super narrow optic for highlighting pillars and architectural niches. Black and white are our standard colour finishes, however if you need the fitting to match a design we can offer RAL colours to customise your design.

**Complete Glare Control:** PLAZA S7x has been designed to give you the ultimate in glare control, hiding the light source from the observers so they have a perfect view without any glare.

**Installation and mounting:** Surface or wall mounted on adjustable bracket. Ground spike and tree strap accessories available. Can be adjusted on site by +90°/-120°. Plaza S7x features an internal junction box for through wiring.



## GLOBAL APPLICATION

Floodlighting on building façades, surroundings and highlighting objects in the public realm. They are suitable for outdoor applications with IP67 and for use in ambient temperatures ranging from -20°/+50°C. Providing a level of safeguard when used in extreme and challenging external environments.

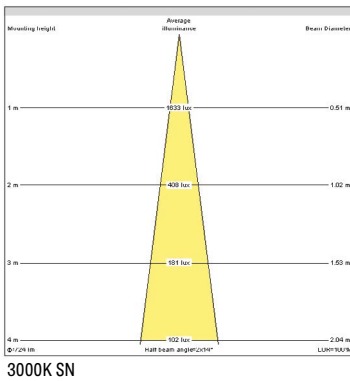




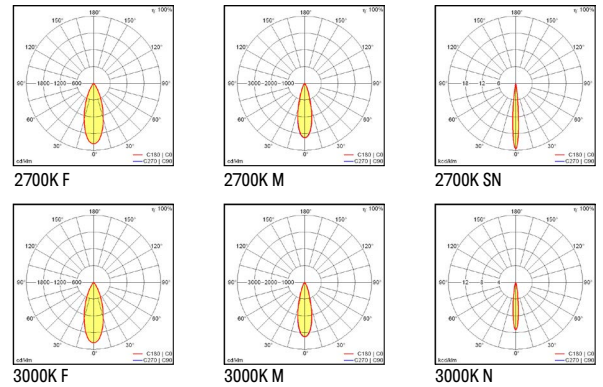
## LIGHT SOURCE INFO

ENGINE TYPE	CRI	OPTIC	COLOUR TEMP (K)	LUMINAIRE LUMEN OUTPUT (lm)	LUMINAIRE LUMENS PER CIRCUIT WATT (lm/cW)	POWER CONSUMPTION, INCLUDING 85% EFFICIENT DRIVER (W)	LIFETIME L70, BASED ON TM-21	COLOUR CONSISTENCY
S7x	80	FLOOD	2700	728	81.0	9	>50,000 HOURS	2 STEP MACADAM ELLIPSE
	80		3000	772	85.8	9		
	80		4000	945	105.0	9		

## CONE DIAGRAM



## POLAR PLOT



## BUILD YOUR PRODUCT

PRODUCT		LIGHT ENGINE		OPTICS		FINISH		CABLE		PROTECTION	
PLAZA S7x 700	PLAZA S7x 700	80CRI 2700K	-827	SUPER NARROW 10°	SN	WHITE	WH	STD NONE	STD	IP67	67
		80CRI 3000K	-830	NARROW 13°	N	BLACK	BK				
		80CRI 4000K	-840	MEDIUM 29°	M	RAL	RAL				
				FLOOD 36°	F						
PLAZA S7x 700		-827		SN		WH		STD		67	

## PLAZA S7x EXTRAS



GROUND SPIKE  
21100170



TREE STRAP  
21903362

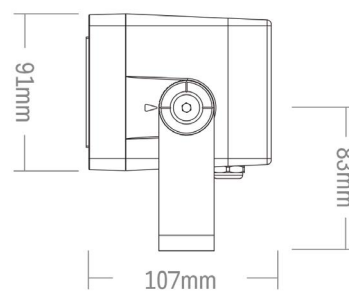
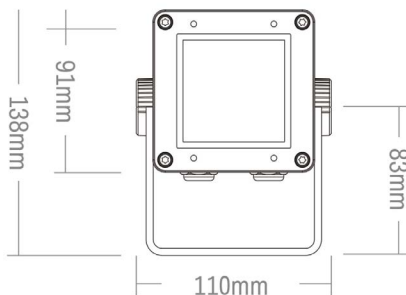
## FREQUENTLY SPECIFIED

PRODUCT DESCRIPTION	CODE	PRODUCT DESCRIPTION	CODE	DRIVER	CODE
PLAZA S7x 700-827 N WH STD 67	21013558	PLAZA S7x 700-830 N WH STD 67	21013566	SW DRIVER 1900/B/700/SWT/NONE/IP20	21100103
PLAZA S7x 700-827 M WH STD 67	21013560	PLAZA S7x 700-830 M WH STD 67	21013568	DALI DRIVER 1900/E/700/DALI/MULTI/IP20	21100110
PLAZA S7x 700-827 SN WH STD 67	21013556	PLAZA S7x 700-830 SN WH STD 67	21013564	DMX DRIVER 1900/E/700/DMX/MULTI/IP20	21100112

# PLAZA 10

**A COMPACT, SURFACE MOUNTED ARCHITECTURAL FLOODLIGHT PROJECTS OUT 779 LUMENS AND WILL DELIVER 40 LUX @ 20M**

**IP66**



## FEATURES

**Minimalistic Design:** Minimal in its design PLAZA 10 is designed to blend seamlessly into the architecture. The robust luminaire housing is made from high pressure, die cast aluminium to ensure the long life integrity of the product.

**Clean Beam Design (CBD) with wide optic choices:** The optics and internal detailing of the luminaires have been designed to ensure outstanding excellent control of the beam angle and the overall lit effect without stray light or unpleasant imaging.

**Installation and Mounting:** Plaza can be surface or wall mounted with its lockable bracket. The light can be focused on site with angle increments through to a 180° tilt mechanism. PLAZA 10 includes a ground spike as an accessory, so whatever the application you will be able to place the light wherever you need it. PLAZA 10 includes 1-10v dimmable driver allowing you to control the light to set a scene or mood and as the driver is integral to the luminaire there is no need for additional on-site installation reducing fitting times and cost.

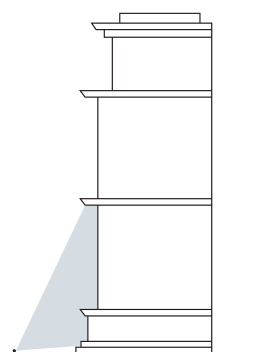
**Broad choice as standard:** PLAZA 10's wide range of beam angles and colour temperatures allows you to tune and control the light. Black, white and grey are our standard colour finishes, however if you need the fitting to match a design we can offer RAL colours to customise your design.

**Complete Glare Control:** PLAZA 10's full range of accessories gives you the ultimate in glare control, hiding the light source from the observers so they have a perfect view without any glare.



## GLOBAL APPLICATION

**Global Application:** Floodlighting on building façades, surroundings and highlighting objects in the public realm. They are suitable for outdoor applications with IP66 and for use in ambient temperatures ranging from -20°/+50°C. Providing a level of safeguard when used in extreme and challenging external environments.



**PLAZA 10: 40 lux at 20m**

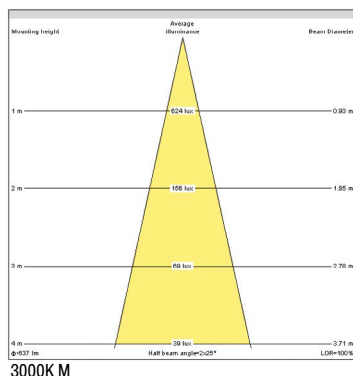




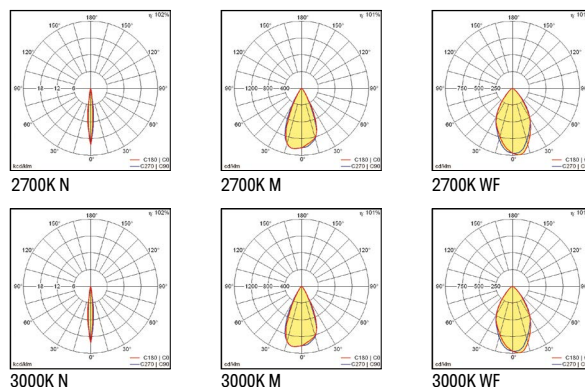
## LIGHT SOURCE INFO

ENGINE TYPE	CRI	OPTIC	COLOUR TEMP (K)	LUMINAIRE LUMEN OUTPUT (lm)	LUMINAIRE LUMENS PER CIRCUIT WATT (lm/CW)	POWER CONSUMPTION, INCLUDING 85% EFFICIENT DRIVER (W)	LIFETIME L70, BASED ON TM-21	COLOUR CONSISTENCY
10	80	SUPER NARROW	2700	683	69.0	9.9	>50,000 HOURS	2 STEP MACADAM ELLIPSE
	80		3000	731	73.8	9.9		
	80		4200	779	78.7	9.9		
	80		6000	779	78.7	9.9		

## CONE DIAGRAM



## POLAR PLOT



## BUILD YOUR PRODUCT

PRODUCT		LIGHT ENGINE		OPTICS		FINISH		ELECTRICAL TERMINATION		PROTECTION		CONTROL	
PLAZA10	PLAZA 10 700	80CRI 2700K	-827	SUPER NARROW 10°	SN	WHITE	WH	1M FLYING LEAD	1M	IP66	66	DIMMABLE	HFA
		80CRI 3000K	-830	NARROW 16°	N	BLACK	BK	2M FLYING LEAD	2M			NON DIM	HF
		80CRI 4200K	-842	MEDIUM 30°	M	GREY (RAL9006)	GY						
		80CRI 6000K	-860	WIDE FLOOD 64°	WF	RAL	RAL						
				LINEAR 12° x 40°	L								
PLAZA10 700		-827		SN		WH		1M		66		HFA	

## PLAZA 10 EXTRAS



**COWL**  
White: 21100250  
Black : 21100167  
Grey: 21100249



**SNOOT**  
White: 21100252  
Black: 21100168  
Grey: 21100251



**LOUVRE**  
White: 21100254  
Black: 21100169  
Grey: 21100253



**BARN DOORS**  
Black: 21100171



**PROTECTION GRILL**  
Black: 21100172



**GROUND SPIKE**  
21100170

## FREQUENTLY SPECIFIED

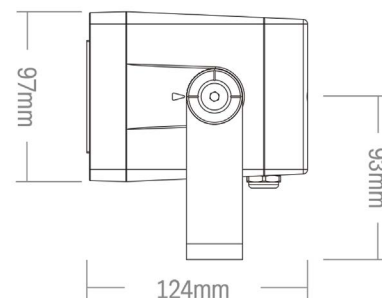
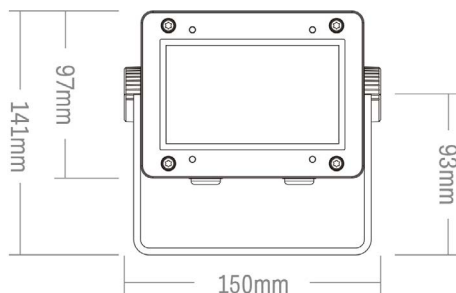
PRODUCT DESCRIPTION	CODE
PLAZA10 700-827 N WH 2M 66 HF	21000199
PLAZA10 700-827 M BK 2M 66 HFA	21000206
PLAZA10 700-827 WF BK 2M 66 HF	21000217

PRODUCT DESCRIPTION	CODE
PLAZA 10 700-830 N WH 2M 66 HF	21000195
PLAZA 10 700-830 M WH 2M 66 HFA	21000186
PLAZA 10 700-830 WF BK 2M 66 HF	21000213

# PLAZA 20

**A COMPACT, SURFACE MOUNTED ARCHITECTURAL FLOODLIGHT PROJECTS OUT 1184 LUMENS AND WILL DELIVER 40 LUX @ 30M**

**IP66**



## FEATURES

**Minimalistic Design:** Minimal in its design PLAZA 20 is designed to blend seamlessly into the architecture. The robust luminaire housing is made from high pressure, die cast aluminium to ensure the long life integrity of the product.

**Clean Beam Design (CBD) with wide optic choices:** The optics and internal detailing of the luminaires have been designed to ensure outstanding excellent control of the beam angle and the overall lit effect without stray light or unpleasant imaging.

**Installation and Mounting:** PLAZA 20 can be surface or wall mounted with its lockable bracket. The light can be focused on site with angle increments through to a 180° tilt mechanism. PLAZA 20 includes a ground spike and wall arm accessory, so whatever the application you will be able to place the light wherever you need it for full control of the beam. PLAZA 20 includes 1-10v dimmable driver allowing you to control the light to set a scene or mood and as the driver is integral to the luminaire there is no need for additional on-site installation reducing fitting times and cost.

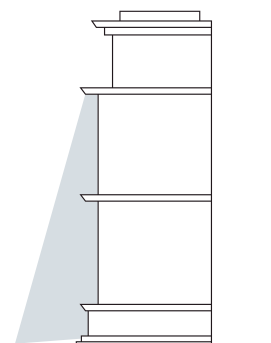
**Broad choice as standard:** PLAZA 20's wide range of beam angles and colour temperatures allows you to tune and control the light. Black, white and grey are our standard colour finishes, however if you need the fitting to match a design we can offer RAL colours to customise your design.

**Complete Glare Control:** PLAZA 20's full range of accessories gives you the ultimate in glare control, hiding the light source from the observers so they have a perfect view without any glare.



## GLOBAL APPLICATION

Floodlighting on building façades, surroundings and highlighting objects in the public realm. They are suitable for outdoor applications with IP66 and for use in ambient temperatures ranging from -20°/+50°C. Providing a level of safeguard when used in extreme and challenging external environments.



**PLAZA 20: 40 lux at 30m**

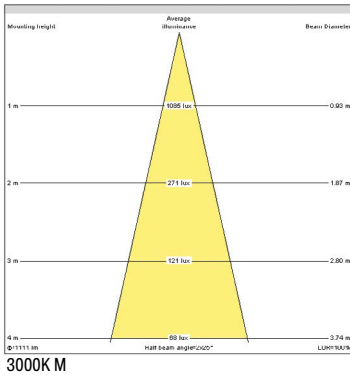




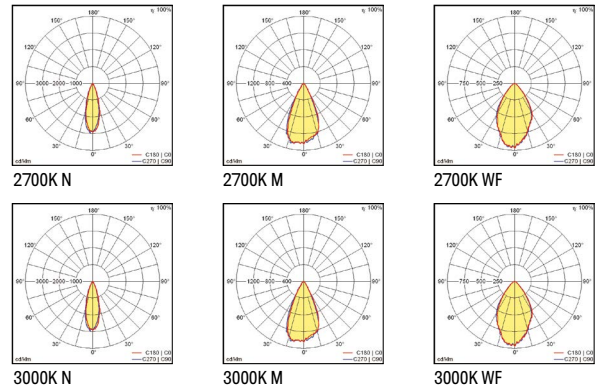
## LIGHT SOURCE INFO

ENGINE TYPE	CRI	OPTIC	COLOUR TEMP (K)	LUMINAIRE LUMEN OUTPUT (lm)	LUMINAIRE LUMENS PER CIRCUIT WATT (lm/CW)	POWER CONSUMPTION. INCLUDING 85% EFFICIENT DRIVER (W)	LIFETIME L70. BASED ON TM-21	COLOUR CONSISTENCY
20	80	LINEAR	2700	1034	65.9	15.7	>50,000 HOURS	2 STEP MACADAM ELLIPSE
	80		3000	1112	70.8	15.7		
	80		4200	1184	75.4	15.7		
	80		6000	1184	75.4	15.7		

## CONE DIAGRAM



## POLAR PLOT



## BUILD YOUR PRODUCT

PRODUCT		LIGHT ENGINE		OPTICS		FINISH		ELECTRICAL TERMINATION		PROTECTION		CONTROL	
PLAZA20	PLAZA20 1100	80CRI 2700K	-827	SUPER NARROW 10°	SN	WHITE	WH	STANDARD	STD	IP66	66	DIMMABLE	HFA
		80CRI 3000K	-830	NARROW 16°	N	BLACK	BK	1M FLYING LEAD	1M			NON DIM	HF
		80CRI 4200K	-842	MEDIUM 30°	M	GREY (RAL9006)	GY	2M FLYING LEAD	2M				
		80CRI 6000K	-860	WIDE FLOOD 64°	WF	RAL	RAL						
				LINEAR 12° x 40°	L								

## PLAZA 20 EXTRAS



**COWL**  
White: 21100256  
Black: 21100173  
Grey: 21100255



**SNOOT**  
White: 21100258  
Black: 21100174  
Grey: 21100257



**LOUVRE**  
White: 21100260  
Black: 21100175  
Grey: 21100259



**BARN DOORS**  
Black: 21100178



**PROTECTION GRILL**  
Black: 21100179



**GROUND SPIKE**  
21100170



**WALL ARM 300mm**  
White: 21100264  
Black: 21100177  
Grey: 21100263  
**WALL ARM 450mm**  
White: 21100262  
Black: 21100176  
Grey: 21100261

## FREQUENTLY SPECIFIED

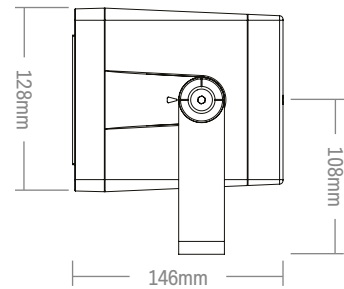
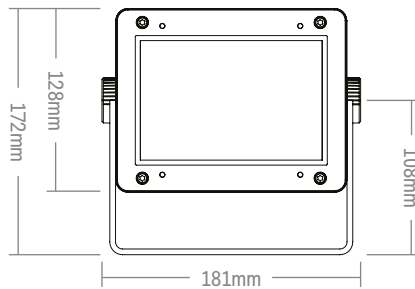
PRODUCT DESCRIPTION	CODE
PLAZA20 1100-827 N WH 2M 66 HF	21000231
PLAZA20 1100-830 M WH 2M 66 HFA	21000218
PLAZA20 1100-827 M BK 2M 66 HFA	21000238

PRODUCT DESCRIPTION	CODE
PLAZA20 1100-830 WF BK 2M 66 HF	21000245
PLAZA20 1100-830 N WH 2M 66 HF	21000227
PLAZA20 1100-827 WF BK 2M 66 HF	21000249

# PLAZA 35

**A COMPACT, SURFACE MOUNTED ARCHITECTURAL FLOODLIGHT PROJECTS OUT 2096 LUMENS AND WILL DELIVER 40 LUX @ 60M**

**IP66**



## FEATURES

**Minimalistic Design:** Minimal in its design PLAZA 35 is designed to blend seamlessly into the architecture. The robust luminaire housing is made from high pressure, die cast aluminium to ensure the long life integrity of the product.

**Clean Beam Design (CBD) with wide optic choices:** The optics and internal detailing of the luminaires have been designed to ensure outstanding excellent control of the beam angle and the overall lit effect without stray light or unpleasant imaging.

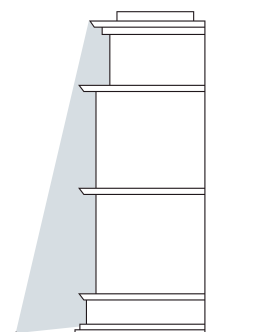
**Installation and Mounting:** PLAZA 35 can be surface or wall mounted with its lockable bracket. The light can be focused on site with angle increments through to 180° tilt mechanism. PLAZA 35 includes a ground spike and wall arm accessory, so whatever the application you will be able to place the light wherever you need it for full control of the beam. PLAZA 35 includes 1-10v dimmable driver allowing you to control the light to set a scene or mood and as the driver is integral to the luminaire there is no need for additional on-site installation reducing fitting times and cost.

**Broad choice as standard:** PLAZA 35's wide range of beam angles and colour temperatures allows you to tune and control the light. Black, white and grey are our standard colour finishes, however if you need the fitting to match a design we can offer RAL colours to customise your design.

**Complete Glare Control:** PLAZA 35's full range of accessories gives you the ultimate in glare control, hiding the light source from the observers so they have a perfect view without any glare.

## GLOBAL APPLICATION

Floodlighting on building façades, surroundings and highlighting objects in the public realm. They are suitable for outdoor applications with IP66 and for use in ambient temperatures ranging from -20°/+50°C. Providing a level of safeguard when used in extreme and challenging external environments.



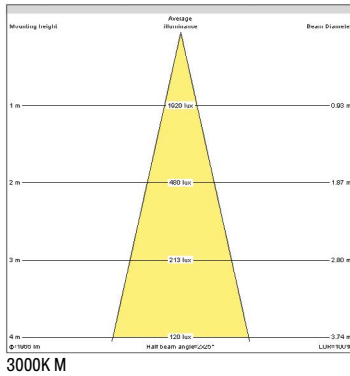
**PLAZA 35: 40 lux at 60m**



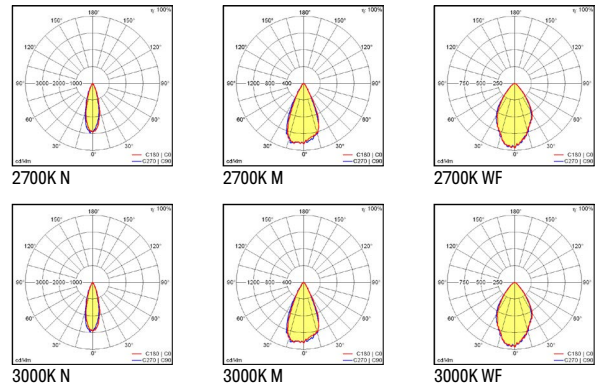
## LIGHT SOURCE INFO

ENGINE TYPE	CRI	OPTIC	COLOUR TEMP (K)	LUMINAIRE LUMEN OUTPUT (lm)	LUMINAIRE LUMENS PER CIRCUIT WATT (lm/CW)	POWER CONSUMPTION. INCLUDING 85% EFFICIENT DRIVER (W)	LIFETIME L70. BASED ON TM-21	COLOUR CONSISTENCY
35	80	SUPER NARROW	2700	1771	64.4	27.5	>50,000 HOURS	2 STEP MACADAM ELLIPSE
	80		3000	1904	69.2	27.5		
	80		4200	2028	73.7	27.5		
	80		6000	2028	73.7	27.5		

## CONE DIAGRAM



## POLAR PLOT

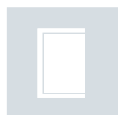


## BUILD YOUR PRODUCT

PRODUCT		LIGHT ENGINE		OPTICS		FINISH		ELECTRICAL TERMINATION		PROTECTION		CONTROL	
PLAZA35	PLAZA35 1900	80CRI 2700K	-827	SUPER NARROW 10°	SN	WHITE	WH	STANDARD	STD	IP66	66	DIMMABLE	HFA
		80CRI 3000K	-830	NARROW 16°	N	BLACK	BK	1M FLYING LEAD	1M			NON DIM	HF
		80CRI 4200K	-842	MEDIUM 30°	M	GREY (RAL9006)	GY	2M FLYING LEAD	2M				
		80CRI 6000K	-860	WIDE FLOOD 64°	WF	RAL	RAL						
				LINEAR 12° x 40°	L								
PLAZA35 1900		-827		SN		WH		STD		66		HFA	



**COWL**  
White: 21100266  
Black: 21100180  
Grey: 21100265



**SNOOT**  
White: 21100268  
Black: 21100181  
Grey: 21100267



**LOUVRE**  
White: 21100270  
Black: 21100182  
Grey: 21100269



**BARN DOORS**  
Black: 21100183



**PROTECTION GRILL**  
Black: 21100184



**GROUND SPIKE**  
21100170



**WALL ARM 300mm**  
White: 21100264  
Black: 21100177  
Grey: 21100263  
**WALL ARM 450mm**  
White: 21100262  
Black: 21100176  
Grey: 21100261

## FREQUENTLY SPECIFIED

PRODUCT DESCRIPTION	CODE
PLAZA35 1900-827 N WH 2M 66 HF	21000263
PLAZA35 1900-827 M BK 2M 66 HFA	21000270
PLAZA35 1900-827 WF BK 2M 66 HF	21000281

PRODUCT DESCRIPTION	CODE
PLAZA35 1900-830 WF BK 2M 66 HF	21000277
PLAZA35 1900-830 N WH 2M 66 HF	21000259
PLAZA35 1900-830 M WH 2M 66 HFA	21000250







# FUSION

**MAKE ICONS  
ICONIC**

FUSION is a family of 3 surface mounted floodlights that change spaces into experiences.

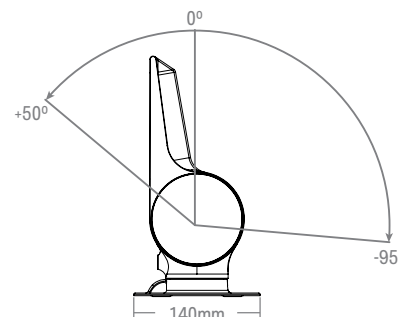
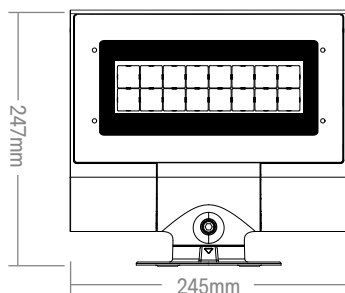
These intelligent powerhouses have it all: Illuminating buildings and structures with an intense wash of colour, highlighting the size and scale of a landmark providing a focal point to any location, making it iconic.

FUSION highlights form and character creating a backdrop for important life moments and memories that will be treasured for ever.

# FUSION 12

**AN INTELLIGENT AND HIGHLY EFFICIENT SINGLE COLOUR AND COLOUR CHANGE FLOODLIGHT. DELIVERS 2000 LUMENS AND WILL DELIVER 22 LUX @ 40M**

**IP66**



## FEATURES

**Minimalistic Design:** Simple minimalist design with solid construction: Incredibly compact and beautifully designed to blend seamlessly within the architectural environment. FUSION 12 is constructed from a high pressure, die cast, corrosion resistant LM24 aluminium and finished in a specialist corrosion resistant powder coat paint, to ensure the long life integrity of the product.

**Clean Beam Design (CBD) with wide optic choices:** The optics and internal detailing of the luminaire have been designed to ensure outstanding control of the beam angle and the cleanliness of the overall lit effect, without stray light or unpleasant imaging. We have a multitude of highly efficient optics from super narrow to linear, plus multiple colour temperature options.

**Broad choice as standard:** FUSION 12 has a wide range of beam angles, colour temperatures and colour change including RGB, RGBA, RGBW. FUSION 12 has 4 channel dimmable colour options with advanced driver technology to guarantee flicker free dimming. Colour options include dynamic white so the colour can be precisely tuned. Black and white are our standard colour finishes, however if you need the fitting to match a design we can offer RAL colours to customise your design.

**Complete Glare Control:** FUSION 12's full range of accessories gives you the ultimate in glare control, hiding the light source from the observers so they have a perfect view without any glare.

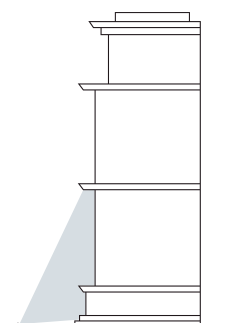
**Installation and mounting:** Surface or wall mounted on adjustable bracket. Flexible focusing of the bracket can be tilted +50° forward or -95° back and rotated +/-45° from 0°. Ground spike and wall arm bracket are available. The FUSION Hub provides a rapid first fix installation of mains and DMX.



## GLOBAL APPLICATION

Floodlighting on building façades, surroundings and highlighting objects in the public realm. They are suitable for outdoor applications with IP66 and for use in ambient temperatures ranging from -20°/+50°C.

The on-board thermal management system automatically dims the product when temperatures exceed 50°C with no loss of colour saturation. Providing a level of safeguard when used in extreme and challenging external environments.



**FUSION 12: 22 lux at 40m**

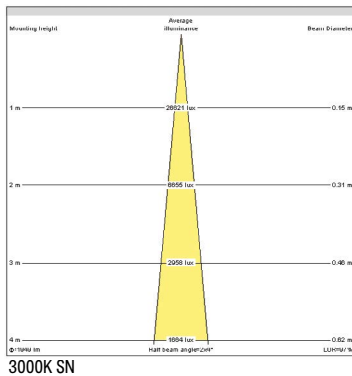




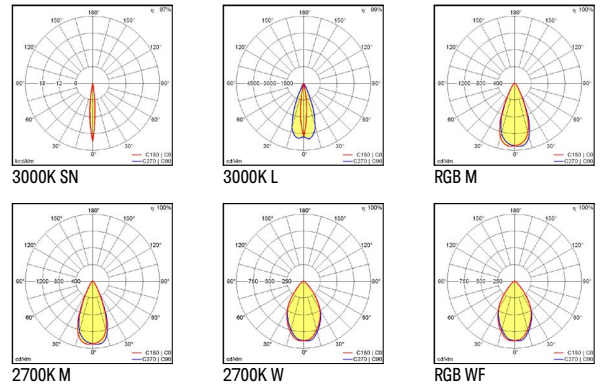
## LIGHT SOURCE INFO

ENGINE TYPE	CRI	OPTIC	COLOUR TEMP (K)	LUMINAIRE LUMEN OUTPUT (lm)	LUMINAIRE LUMENS PER CIRCUIT WATT (lm/CW)	POWER CONSUMPTION, INCLUDING 85% EFFICIENT DRIVER (W)	LIFETIME L70, BASED ON TM-21	COLOUR CONSISTENCY
12	80	SUPER NARROW	2700	1559	65.8	23.7	>50,000 HOURS	2 STEP MACADAM ELLIPSE
	80		3000	1949	82.2	23.7		
	80		4200	1754	74	23.7		
	80		6000	2144	90.5	23.7		

## CONE DIAGRAM



## POLAR PLOT



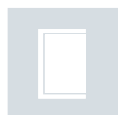
## BUILD YOUR PRODUCT

PRODUCT		LIGHT ENGINE		OPTICS		FINISH		PROTECTION	
FUSION12	FUSION12 1900	80CRI 2700K	-827	SUPER NARROW 10°	SN	WHITE	WH	IP66	66
		80CRI 3000K	-830	NARROW 16°	N	BLACK	BK		
		80CRI 4200K	-842	MEDIUM 30°	M	RAL	RAL		
		80CRI 6000K	-860	WIDE FLOOD 64°	WF				
		2700K/6000K (DYNAMIC WHITE)	-DW	LINEAR 12°x40°	L				
		RGB	-RGB						
		RGBA	-RGBA						
		RGBW(30K)	-RGBW						
		RED	-RED						
		GREEN	-GRN						
		BLUE	-BLU						
		AMBER	-AMB						
FUSION12 1900		-827		SN		WH		66	

## FUSION 12 EXTRAS



**COWL**  
White: 21902887  
Black: 21903399



**SNOOT**  
White: 21902886  
Black: 21903400



**LOUVRE**  
White: 21902717  
Black: 21903401



**WALL ARM**  
White: 21900960  
Black: 21901948



**EXTENSION CABLE**  
1m: 21100007  
2m: 21100008  
5m: 21100009  
10m: 21100010  
25m: 21100011



**HUB (OUTPUTS)**  
White (x2): 21100218  
Black (x2): 21100005  
White (x8): 21100219  
Black (x8): 21100006



**LEADS**  
2m: 21100013  
10m: 21100014  
20m: 21100015  
**T-CONNECTOR**  
21100012

## FREQUENTLY SPECIFIED

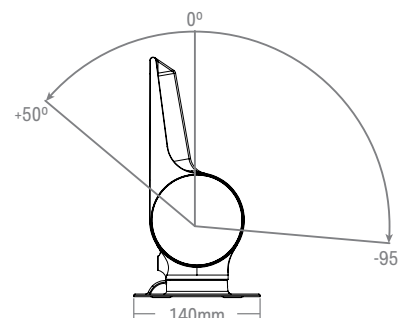
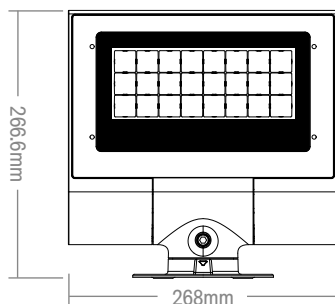
PRODUCT DESCRIPTION	CODE
FUSION12 1900-RGB M WH 66	21003759
FUSION12 1900-RGB WF WH 66	21003760
FUSION12 1900-830 SN WH 66	21013355

PRODUCT DESCRIPTION	CODE
FUSION12 1900-830 L WH 66	21013353
FUSION12 1900-RGB WF BK 66	21003747
FUSION12 1900-RGB M BK 66	21003746

# FUSION 24

**AN INTELLIGENT AND HIGHLY EFFICIENT SINGLE COLOUR AND COLOUR CHANGE FLOODLIGHT. DELIVERS 4000 LUMENS AND WILL DELIVER 19 LUX @ 60M**

**IP66**



## FEATURES

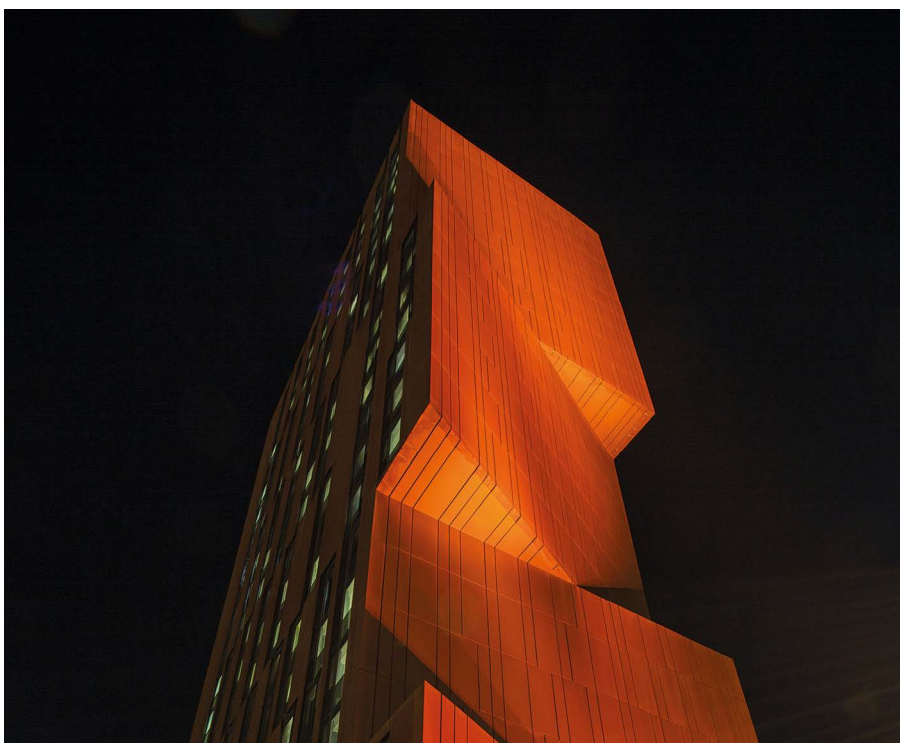
**Minimalistic Design:** Simple minimalist design with solid construction: Incredibly compact and beautifully designed to blend seamlessly within the architectural environment. FUSION 24 is constructed from a high pressure, die cast, corrosion resistant LM24 aluminium and finished in a specialist corrosion resistant powder coat paint, to ensure the long life integrity of the product.

**Clean Beam Design (CBD) with wide optic choices:** The optics and internal detailing of the luminaire have been designed to ensure outstanding control of the beam angle and the cleanliness of the overall lit effect, without stray light or unpleasant imaging. We have a multitude of highly efficient optics from super narrow to linear, plus multiple colour temperature options.

**Broad choice as standard:** FUSION 24 has a wide range of beam angles, colour temperatures and colour change including RGB, RGBA, RGBW. FUSION 24 has 4 channel dimmable colour options with advanced driver technology to guarantee flicker free dimming. Colour options include dynamic white so the colour can be precisely tuned. Black and white are our standard colour finishes, however if you need the fitting to match a design we can offer RAL colours to customise your design.

**Complete Glare Control:** FUSION 24's full range of accessories gives you the ultimate in glare control, hiding the light source from the observers so they have a perfect view without any glare.

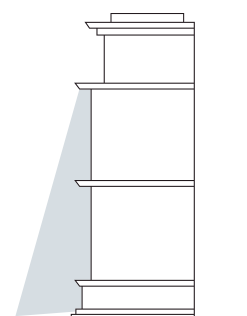
**Installation and mounting:** Surface or wall mounted on adjustable bracket. Flexible focusing of the bracket can be tilted +50° forward or -95° back and rotated +/-45° from 0°. Ground spike and wall arm bracket are available. The FUSION Hub provides a rapid first fix installation of mains and DMX.



## GLOBAL APPLICATION

Floodlighting on building façades, surroundings and highlighting objects in the public realm. They are suitable for outdoor applications with IP66 and for use in ambient temperatures ranging from -20°/+50°C.

The on-board thermal management system automatically dims the product when temperatures exceed 50°C with no loss of colour saturation. Providing a level of safeguard when used in extreme and challenging external environments.



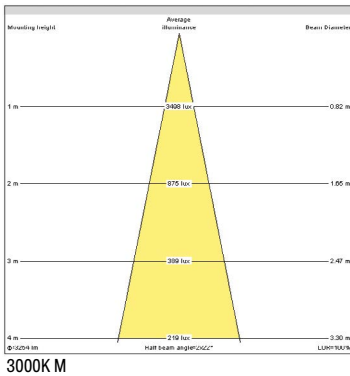
**FUSION 24: 19 lux at 60m**



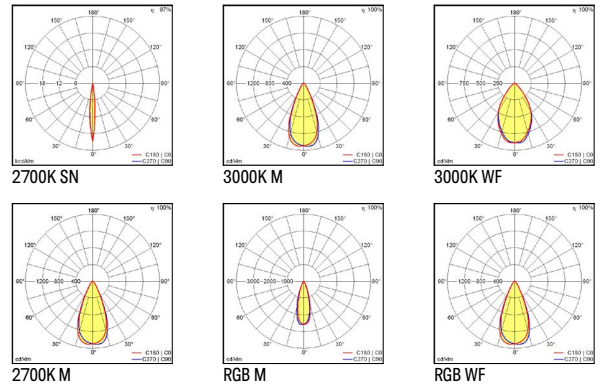
## LIGHT SOURCE INFO

ENGINE TYPE	CRI	OPTIC	COLOUR TEMP (K)	LUMINAIRE LUMEN OUTPUT (lm)	LUMINAIRE LUMENS PER CIRCUIT WATT (lm/CW)	POWER CONSUMPTION. INCLUDING 85% EFFICIENT DRIVER (W)	LIFETIME L70. BASED ON TM-21	COLOUR CONSISTENCY
24	80	SUPER NARROW	2700	3194	76.4	41.8	>50,000 HOURS	2 STEP MACADAM ELLIPSE
	80		3000	3952	94.5	41.8		
	80		4200	3594	86	41.8		
	80		6000	4392	105.1	41.8		

## CONE DIAGRAM



## POLAR PLOT



## BUILD YOUR PRODUCT

PRODUCT		LIGHT ENGINE		OPTICS		FINISH		PROTECTION	
FUSION 24	FUSION24 4000	80CRI 2700K	-827	SUPER NARROW 10°	SN	WHITE	WH	IP66	66
		80CRI 3000K	-830	NARROW 16°	N	BLACK	BK		
		80CRI 4200K	-842	MEDIUM 30°	M	RAL	RAL		
		80CRI 6000K	-860	WIDE FLOOD 64°	WF				
		2700K/6000K (DYNAMIC WHITE)	-DW	LINEAR 12°x40°	L				
		RGB	-RGB						
		RGBA	-RGBA						
		RGBW(30K)	-RGBW						
		RED	-RED						
		GREEN	-GRN						
		BLUE	-BLU						
		AMBER	-AMB						
FUSION24 4000		-827		SN		WH		66	

## FUSION 24 EXTRAS



**COWL**  
White: 21100220  
Black: 21100016



**SNOOT**  
White: 21100221  
Black: 21100017



**LOUVRE**  
White: 21100222  
Black: 21100018



**WALL ARM**  
White: 21900960  
Black: 21901948



**EXTENSION CABLE**  
1m: 21100007  
2m: 21100008  
5m: 21100009  
10m: 21100010  
25m: 21100011



**HUB (OUTPUTS)**  
White (x2): 21100218  
Black (x2): 21100005  
White (x8): 21100219  
Black (x8): 21100006



**LEADS**  
2m: 21100013  
10m: 21100014  
20m: 21100015  
**T-CONNECTOR**  
21100012

## FREQUENTLY SPECIFIED

PRODUCT DESCRIPTION	CODE
FUSION24 4000-RGB M WH 66	21000139
FUSION24 4000-RGB WF WH 66	21000140
FUSION24 4000-830 WF BK 66	21013358

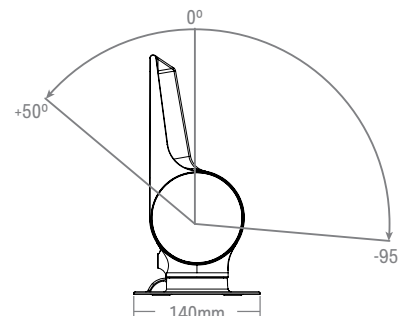
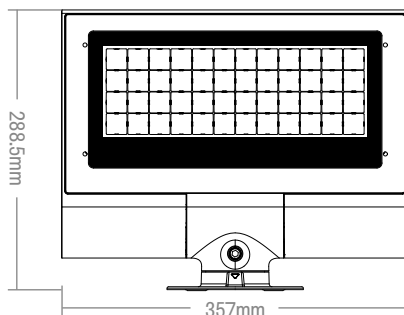
PRODUCT DESCRIPTION	CODE
FUSION24 4000-827 SN WH 66	21013373
FUSION24 4000-RGB M BK 66	21000166
FUSION24 4000-830 M BK 66	21013357



# FUSION 48

**AN INTELLIGENT AND HIGHLY EFFICIENT SINGLE COLOUR AND COLOUR CHANGE FLOODLIGHT. DELIVERS 8000 LUMENS AND WILL DELIVER 21 LUX @ 80M**

**IP66**



## FEATURES

**Minimalistic Design:** Simple minimalist design with solid construction: Incredibly compact and beautifully designed to blend seamlessly within the architectural environment. FUSION 48 is constructed from a high pressure, die cast, corrosion resistant LM24 aluminium and finished in a specialist corrosion resistant powder coat paint, to ensure the long life integrity of the product.

**Clean Beam Design (CBD) with wide optic choices:** The optics and internal detailing of the luminaire have been designed to ensure outstanding control of the beam angle and the cleanliness of the overall lit effect, without stray light or unpleasant imaging. We have a multitude of highly efficient optics from super narrow to linear, plus multiple colour temperature options.

**Broad choice as standard:** FUSION 48 has a wide range of beam angles, colour temperatures and colour change including RGB, RGBA, RGBW. FUSION 48 has 4 channel dimmable colour options with advanced driver technology to guarantee flicker free dimming. Colour options include dynamic white so the colour can be precisely tuned. Black and white are our standard colour finishes, however if you need the fitting to match a design we can offer RAL colours to customise your design.

**Complete Glare Control:** FUSION 48's full range of accessories gives you the ultimate in glare control, hiding the light source from the observers so they have a perfect view without any glare.

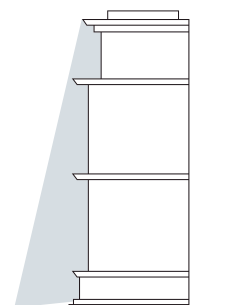
**Installation and mounting:** Surface or wall mounted on adjustable bracket. Flexible focusing of the bracket can be tilted +50° forward or -95° back and rotated +/-45° from 0°. Ground spike and wall arm bracket are available. The FUSION Hub provides a rapid first fix installation of mains and DMX.



## GLOBAL APPLICATION

Floodlighting on building façades, surroundings and highlighting objects in the public realm. They are suitable for outdoor applications with IP66 and for use in ambient temperatures ranging from -20°/+50°C.

The on-board thermal management system automatically dims the product when temperatures exceed 50°C with no loss of colour saturation. Providing a level of safeguard when used in extreme and challenging external environments.



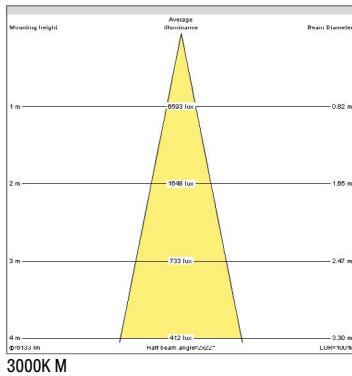
**FUSION 48: 21 lux at 80m**



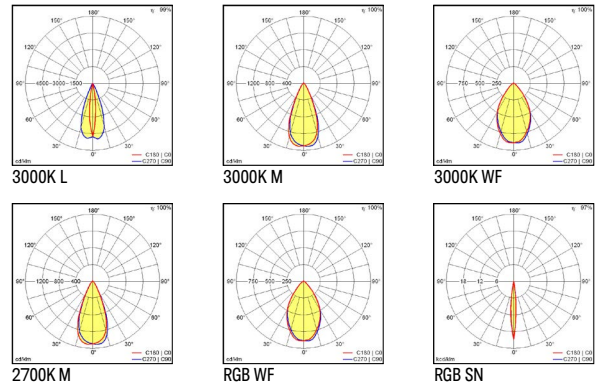
## LIGHT SOURCE INFO

ENGINE TYPE	CRI	OPTIC	COLOUR TEMP (K)	LUMINAIRE LUMEN OUTPUT (lm)	LUMINAIRE LUMENS PER CIRCUIT WATT (lm/CW)	POWER CONSUMPTION. INCLUDING 85% EFFICIENT DRIVER (W)	LIFETIME L70. BASED ON TM-21	COLOUR CONSISTENCY
48	80	SUPER NARROW	2700	6021	74.3	81	>50,000 HOURS	2 STEP MACADAM ELLIPSE
	80		3000	7526	92.9	81		
	80		4200	6773	83.6	81		
	80		6000	8279	102.2	81		

## CONE DIAGRAM



## POLAR PLOT



## BUILD YOUR PRODUCT

PRODUCT		LIGHT ENGINE		OPTICS		FINISH		PROTECTION	
FUSION48	FUSION48 8000	80CRI 2700K	-827	SUPER NARROW 10°	SN	WHITE	WH	IP66	66
		80CRI 3000K	-830	NARROW 16°	N	BLACK	BK		
		80CRI 4200K	-842	MEDIUM 30°	M	RAL	RAL		
		80CRI 6000K	-860	WIDE FLOOD 64°	WF				
		2700K/6000K (DYNAMIC WHITE)	-DW	LINEAR 12°x40°	L				
		RGB	-RGB						
		RGBA	-RGBA						
		RGBW(30K)	-RGBW						
		RED	-RED						
		GREEN	-GRN						
		BLUE	-BLU						
		AMBER	-AMB						
FUSION48 8000		-827		SN		WH		66	

## FUSION 48 EXTRAS



**COWL**  
White: 21100223  
Black: 21100020



**SNOOT**  
White: 21100224  
Black: 21100021



**LOUVRE**  
White: 21100225  
Black: 21100022



**WALL ARM**  
White: 21900960  
Black: 21901948



**EXTENSION CABLE**  
1m: 21100007  
2m: 21100008  
5m: 21100009  
10m: 21100010  
25m: 21100011



**HUB (OUTPUTS)**  
White (x2): 21100218  
Black (x2): 21100005  
White (x8): 21100219  
Black (x8): 21100006

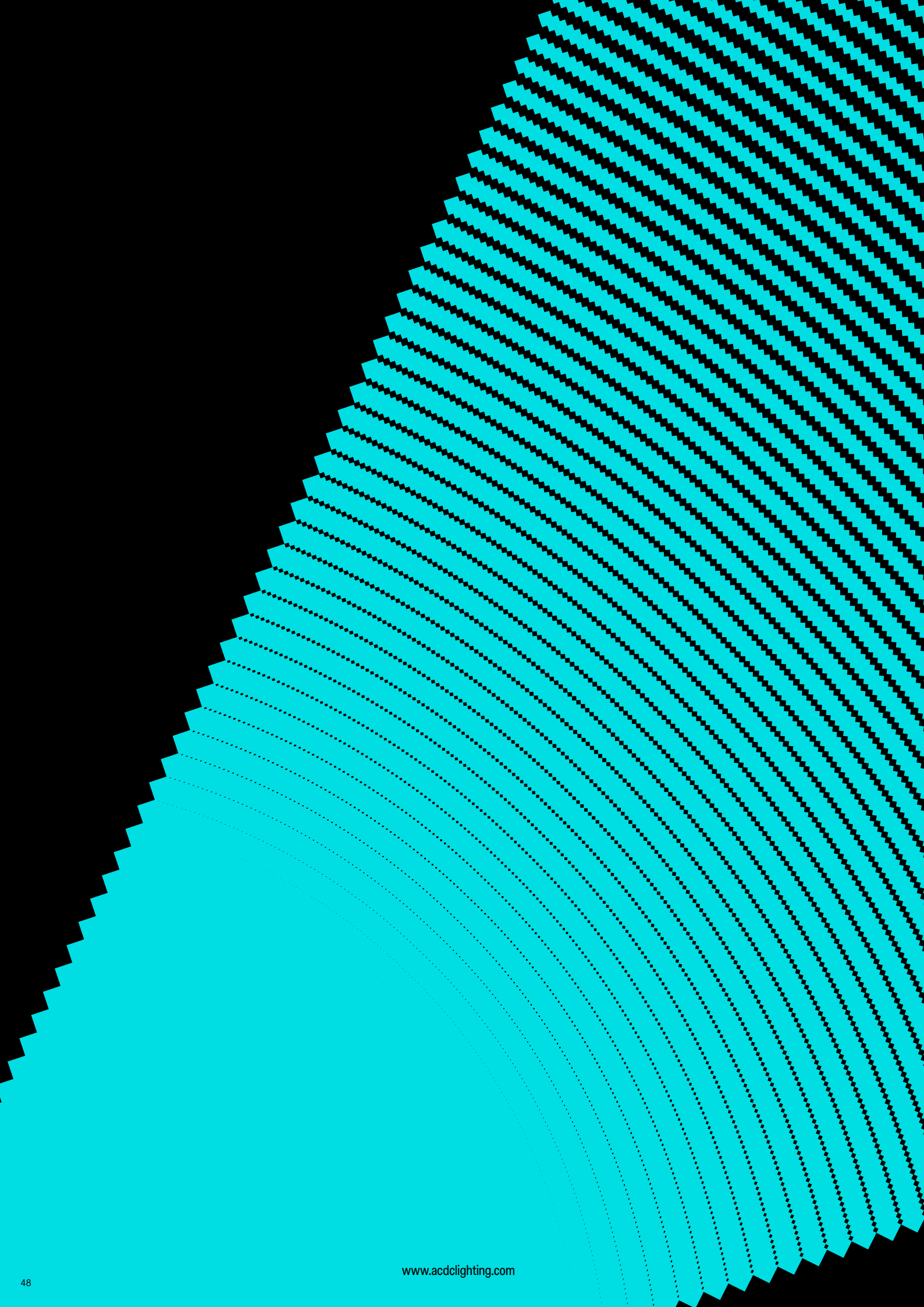


**LEADS**  
2m: 21100013  
10m: 21100014  
20m: 21100015  
**T-CONNECTOR**  
21100012

## FREQUENTLY SPECIFIED

PRODUCT DESCRIPTION	CODE
FUSION48 8000-830 M BK 66	21013361
FUSION48 8000-830 WF BK 66	21013362
FUSION48 8000-RGB WF BK 66	21000179

PRODUCT DESCRIPTION	CODE
FUSION48 8000-RGB WF WH 66	21000152
FUSION48 8000-RGB SN WH 66	21000150
FUSION48 8000-830 L WH 66	21013360

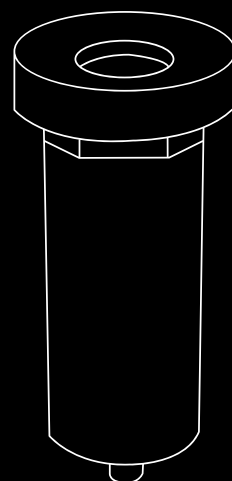
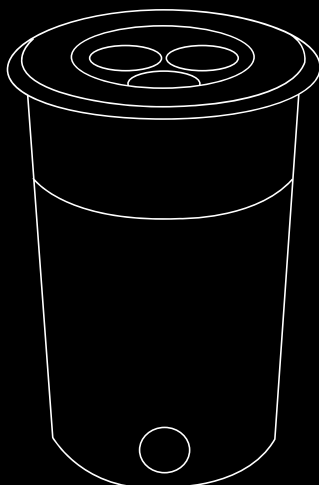
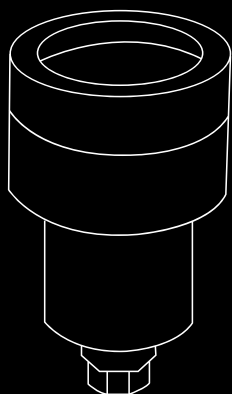






# IN-GROUND

GALLI  
MAGNA  
Q











# GALLI

## WALK THIS WAY

GALLI is a member of our in-ground marker light family who define the way we perceive outdoor scenery.

Unobtrusive in their design, they create mood and ambience within an outdoor space. They create pockets of light to highlight areas of interest and with their ambient glow, they guide through areas of a design.

GALLI creates mood, ambience and guidance for people to absorb, relax or explore.

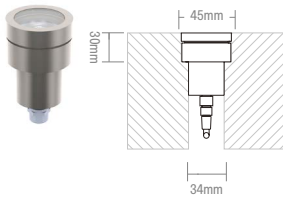


# GALLI

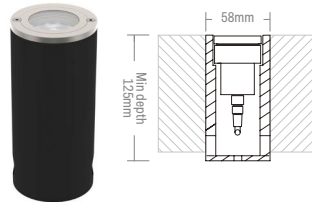
**A COMPACT, SLEEK, IN-GROUND SINGLE LED MARKER LIGHT AND WALLWASH LUMINAIRE, DELIVERING 100 LUMENS**

**IP67**

## FLUSH MOUNTED



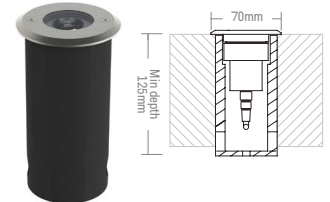
## FLUSH MOUNTED WITH SLEEVE



## BEZEL MOUNTED



## BEZEL MOUNTED WITH SLEEVE



## FEATURES

**Minimalistic Design:** Minimal in its design GALLI is available flush or bezel mounted, with or without visible screw holes to blend seamlessly into the architectural environment. Standard 7° tilt suitable for wallwash applications - 0° tilt can be specified on request.

**Clean Beam Design (CBD) with wide optic choices:** The optics and internal detailing of the luminaires have been designed to ensure outstanding excellent control of the beam angle and the overall lit effect without stray light or unpleasant imaging.

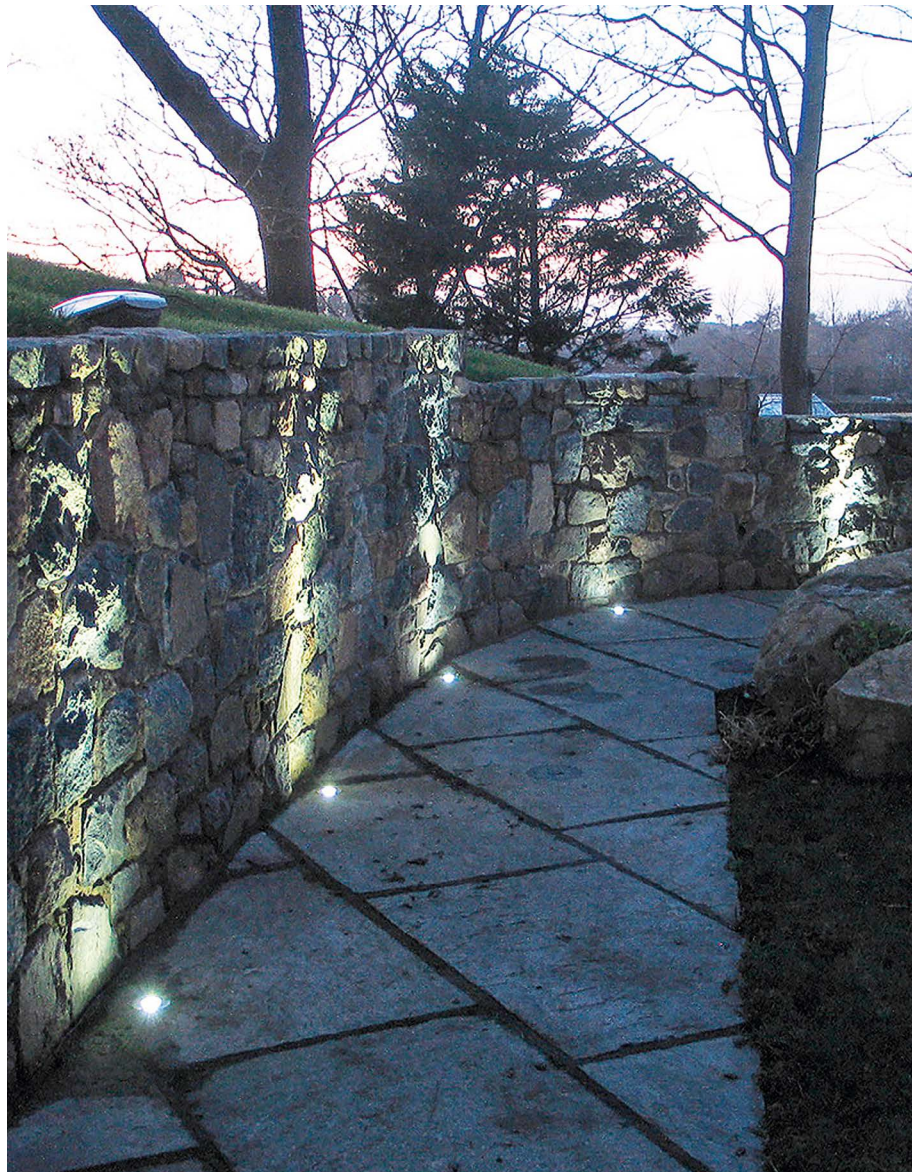
**Broad choice as standard:** GALLI's wide range of beam angle choice (including an uncollimated option) with highly efficient optics. Single colour temperatures and LED colour options allows you to control the scenes and create interest. There are five finish options including hard anodised for those tough or harsh environments.

**Complete Glare Control:** Single deep recessed LED position for complete glare control, hiding the light source from the observers so they have a perfect view without any glare. Frosted glass option available if further glare control is required.

**Installation and mounting:** Installed in-ground flush or Bezel with or without sleeve depending on where they are being installed.

## GLOBAL APPLICATION

Suitable for landscape areas, walkways surroundings and highlighting objects in the public realm. They are suitable for outdoor applications with IP67 and for use in ambient temperatures ranging from -20°/+50°C. Providing a level of safeguard when used in extreme and challenging external environments.

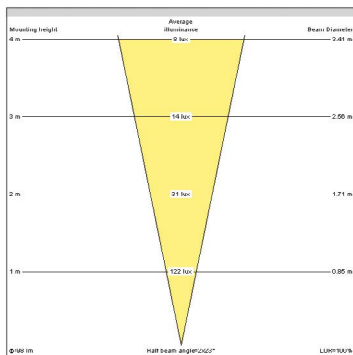




## LIGHT SOURCE INFO

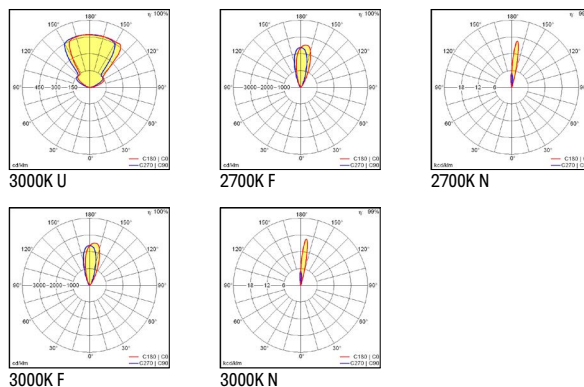
ENGINE TYPE	CRI	OPTIC	COLOUR TEMP (K)	LUMINAIRE LUMEN OUTPUT (lm)	LUMINAIRE LUMENS PER CIRCUIT WATT (lm/cW)	POWER CONSUMPTION, INCLUDING 85% EFFICIENT DRIVER (W)	LIFETIME L70, BASED ON TM-21	COLOUR CONSISTENCY
N/A	80	NARROW	2700	92	36.8	2.5	>50,000 HOURS	2 STEP MACADAM ELLIPSE
	80		3000	94	37.6	2.5		
	80		4200	111	44.4	2.5		
	80		6000	124	49.6	2.5		

## CONE DIAGRAM



3000K M

## POLAR PLOT



## BUILD YOUR PRODUCT

PRODUCT		LIGHT ENGINE		OPTICS		FINISH		MOUNTING TYPE		GLASS		PROTECTION	
GALLI	GALLI 7 90	80CRI 2700K	-827	NARROW 12°	N	ANODISED ALUMINIUM SLIVER	AS	FLUSH MOUNTED	FM	CLEAR	CG	IP67	67
GALLI	GALLI 0 70	80CRI 3000K	-830	MEDIUM 30°	M	ANODISED ALUMINIUM BLACK	ABK	FLUSH MOUNTED WITH CSK HOLES IN BEZEL	FMS	FROSTED GLASS	FG		
		80CRI 4200K	-842	FLOOD 50°	F	STAINLESS STEEL BRUSHED	SSB	BEZEL MOUNTED	BM				
		80CRI 6000K	-860	UNCOLLIMATED	U	HARD ANODISED SLIVER	HS	BEZEL MOUNTED WITH CSK HOLES IN BEZEL	BMS				
		RED	-RED			HARD ANODISED BLACK	HBK						
		GREEN	-GRN										
		BLUE	-BLU										
		AMBER	-AMB										
GALLI 7 90		-827		N		AS		FM		CG		67	

## GALLI EXTRAS



GROUND SLEEVE  
21900081

## FREQUENTLY SPECIFIED

PRODUCT DESCRIPTION	CODE	PRODUCT DESCRIPTION	CODE	DRIVER	CODE
GALLI 0 90-830 U AS FM CG 67	21005369	GALLI 7 90-827 N SSB FMS CG 67	21005785	SW acdc1900/A/700/SWT/NONE/IP20	21100102
GALLI 7 90-830 U AS FM CG 67	21005370	GALLI 7 90-830 F SSB BMS CG 67	21005791	DALI acdc1900/A/700/DALI/SOLO/IP20	21100108
GALLI 7 90-830 N SSB FMS CG 67	21005788	GALLI 7 90-827 F SSB BMS CG 67	21005787	DMX acdc1900/E/700/DMX/MULTI/IP20 (12 per channel x 3ch)	21100112









# MAGNA

## IN THE LIGHT

MAGNA is the brightest star in our in-ground family. With their timeless design they provide beautiful points of interest in the composition so we can enjoy the environment around us during twilight hours and beyond.

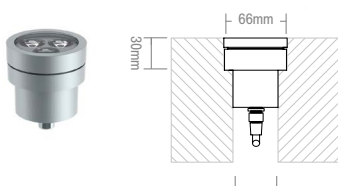
MAGNA changes how we experience the same space during the hours of darkness.

# MAGNA

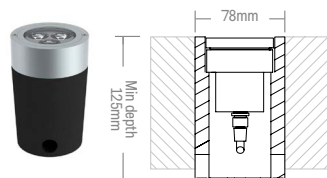
**A COMPACT, DISCRETE INGROUND TRIPLE LED MARKER AND WALLWASH LUMINAIRE DELIVERING 310 LUMENS**

**IP67**

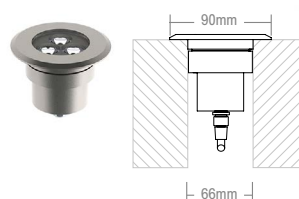
**FLUSH MOUNTED**



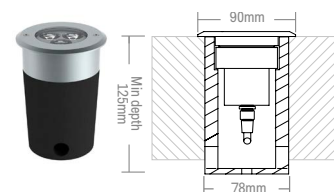
**FLUSH MOUNTED WITH SLEEVE**



**BEZEL MOUNTED**



**BEZEL MOUNTED WITH SLEEVE**



## FEATURES

**Minimalistic Design:** Minimal in its design MAGNA is unobtrusive. Available flush or bezel mounted, with or without visible screw holes to blend seamlessly into the architectural environment. Standard 7° tilt for wallwash applications - 0° tilt can be requested.

**Clean Beam Design (CBD) with wide optic choices:** The optics and internal detailing of the luminaires have been designed to ensure outstanding excellent control of the beam angle and the overall lit effect without stray light or unpleasant imaging.

**Broad choice as standard:** Magna is available with a number of highly efficient optic choices (including uncollimated), colour temperatures and LED colour options adding accents and highlights to the design. Available in five finishes including hard anodised options for extreme environments.

**Complete Glare Control:** Recessed LED position for complete glare control, hiding the light source from the observers so they have a perfect view without any glare. Frosted glass option available if further glare control is required.

**Installation and mounting:** MAGNA is installed in-ground with or without sleeve depending on the environment where they are being installed.

## GLOBAL APPLICATION

Suitable for landscape areas, walkway surroundings and highlighting objects in the public realm. They are suitable for outdoor applications with IP67 and for use in ambient temperatures ranging from -20°/+50°C. Providing a level of safeguard when used in extreme and challenging external environments.

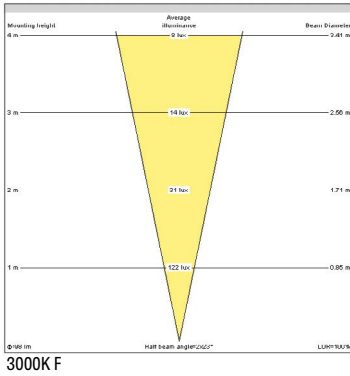




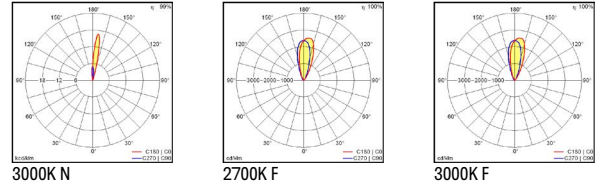
## LIGHT SOURCE INFO

ENGINE TYPE	CRI	OPTIC	COLOUR TEMP (K)	LUMINAIRE LUMEN OUTPUT (lm)	LUMINAIRE LUMENS PER CIRCUIT WATT (lm/cW)	POWER CONSUMPTION. INCLUDING 85% EFFICIENT DRIVER (W)	LIFETIME L70. BASED ON TM-21	COLOUR CONSISTENCY
N/A	80	NARROW	2700	310	43.7	7.1	>50,000 HOURS	2 STEP MACADAM ELLIPSE
	80		3000	331	46.6	7.1		
	80		4200	342	48.2	7.1		
	80		6000	361	50.8	7.1		

## CONE DIAGRAM



## POLAR PLOT



## BUILD YOUR PRODUCT

PRODUCT	LIGHT ENGINE	OPTICS	FINISH	MOUNTING TYPE	GLASS	PROTECTION						
MAGNA MAGNA 0 340	80CRI 2700K	-827	NARROW 12°	N	ANODISED ALUMINIUM SLIVER	AS	FLUSH MOUNTED	FM	CLEAR	CG	IP67	67
MAGNA MAGNA 7 340	80CRI 3000K	-830	MEDIUM 30°	M	ANODISED ALUMINIUM BLACK	ABK	FLUSH MOUNTED WITH CSK HOLES IN BEZEL	FMS	FROSTED GLASS	FG		
	80CRI 4200K	-842	FLOOD 50°	F	STAINLESS STEEL BRUSHED	SSB	BEZEL MOUNTED	BM				
	80CRI 6000K	-860	UNCOLLIMATED	U	HARD ANODISED SLIVER	HS	BEZEL MOUNTED WITH CSK HOLES IN BEZEL	BMS				
	RED	-RED			HARD ANODISED BLACK	HBK						
	GREEN	-GRN										
	BLUE	-BLU										
	AMBER	-AMB										
RGB	-RGB											
MAGNA 0 340	-827	N	AS	FM	CG	67						

## MAGNA EXTRAS



GROUND SLEEVE  
21900029

## FREQUENTLY SPECIFIED

PRODUCT DESCRIPTION	CODE	PRODUCT DESCRIPTION	CODE	DRIVER	CODE	
MAGNA 7 340-830 N AS FM CG 67	21005372	MAGNA 7 340-827 N SSB FMS CG 67	21005805	SW	acdc1900/A/700/SWT/NONE/IP20	21100102
MAGNA 0 340-830 N AS FM CG 67	21005371	MAGNA 7 340-830 F SSB BMS CG 6	21005809	DALI	acdc1900/A/700/DALI/SOLO/IP20	21100108
MAGNA 7 340-830 N SSB FMS CG 67	21005808	MAGNA 7 340-827 F SSB BMS CG 67	21005807	DMX	acdc1900/E/700/DMX/MULTI/IP20 (4 per Chx 3ch)	21100112









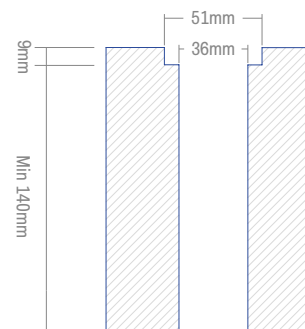
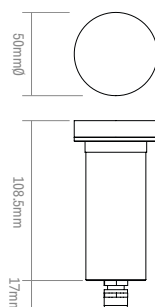
## **MAKE YOUR MARK**

As part of our in-ground marker light family Q allows us to enjoy landscaped areas in the hours of darkness. Miniature in size they provide beautiful focal points and create a feeling of depth within the scenery.

Q creates an environment where people can visit to capture a beautiful scene from every aspect.

## A COMPACT, SLEEK, IN-GROUND SINGLE LED MARKER LIGHT DELIVERING 30 LUMENS

IP67



### FEATURES

**Minimalistic Design:** Minimal in its design Q is unobtrusive and blends seamlessly into the chosen environment.

**Clean Beam Design (CBD) with wide optic choices:** The optics and internal detailing of the luminaires have been designed to ensure outstanding excellent control of the beam angle and the overall lit effect without stray light or unpleasant imaging.

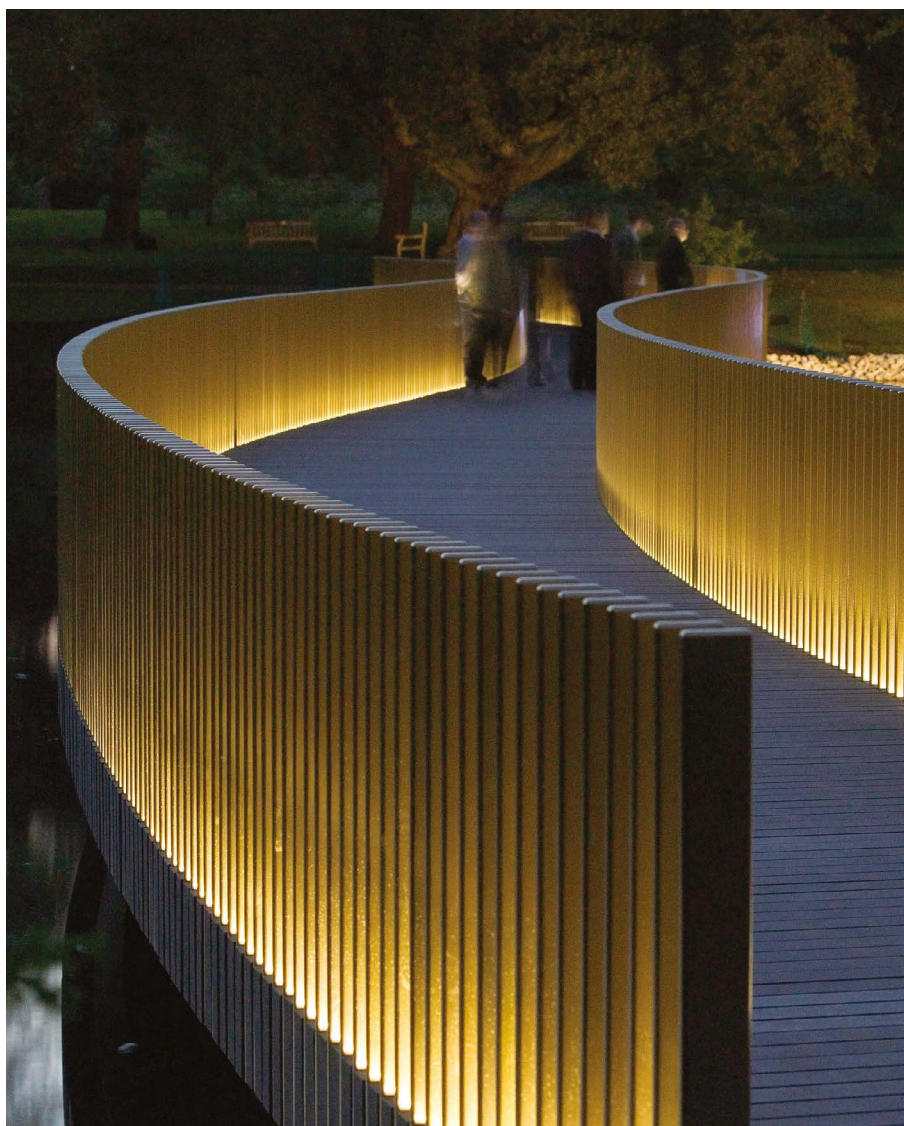
**Broad choice as standard:** Q comes with a narrow 12° optic with a wide choice of colour temperatures and single colour options adding accents and highlights to the design. Available in anodised aluminium black for a clean modern look.

**Complete Glare Control:** Single recessed LED position for complete glare control, hiding the light source from the observers so they have a perfect view without any glare. Frosted glass option available if further glare control is required.

**Installation and mounting:** Installed in-ground.

### GLOBAL APPLICATION

Suitable for landscape areas, walkway surroundings and highlighting objects in the public realm. They are suitable for outdoor applications with IP67 and for use in ambient temperatures ranging from -20°/+50°C. Providing a level of safeguard when used in extreme and challenging external environments.



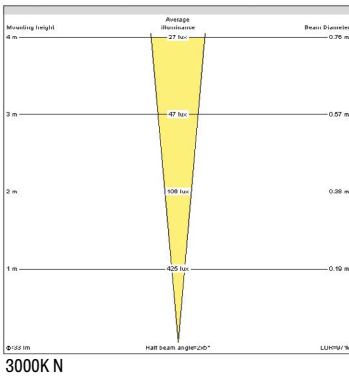




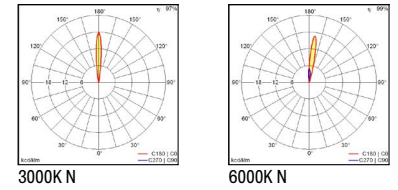
## LIGHT SOURCE INFO

ENGINE TYPE	CRI	OPTIC	COLOUR TEMP (K)	LUMINAIRE LUMEN OUTPUT (lm)	LUMINAIRE LUMENS PER CIRCUIT WATT (lm/cW)	POWER CONSUMPTION, INCLUDING 85% EFFICIENT DRIVER (W)	LIFETIME L70, BASED ON TM-21	COLOUR CONSISTENCY
N/A	80	NARROW	2700	29	11.6	2.5	>50,000 HOURS	2 STEP MACADAM ELLIPSE
	80		3000	33	13.2	2.5		
	80		4200	35	14.0	2.5		
	80		6000	39	15.6	2.5		

## CONE DIAGRAM



## POLAR PLOT



## BUILD YOUR PRODUCT

PRODUCT		LIGHT ENGINE		OPTICS		FINISH		DIFFUSER		PROTECTION	
Q 34	Q 34	80CRI 2700K	-827	NARROW 12°	N	ANODISED ALUMINIUM BLACK	ABK	CLEAR GLASS	CG	IP67	67
		80CRI 3000K	-830					FROSTED GLASS	FG		
		80CRI 4200K	-842								
		80CRI 6000K	-860								
		RED	-RED								
		GREEN	-GRN								
		BLUE	-BLU								
		AMBER	-AMB								
Q 34		-827		N		ABK		CG		67	

## FREQUENTLY SPECIFIED

PRODUCT DESCRIPTION	CODE
Q 34-827 N ABK CG 67	21901673
Q 34-830 N ABK CG 67	21005373
Q 34-827 N ABK FG 67	21901059

PRODUCT DESCRIPTION	CODE
Q 34-830 N ABK FG 67	21901099
Q 34-842 N ABK CG 67	21903703
Q 34-842 N ABK FG 67	21903704

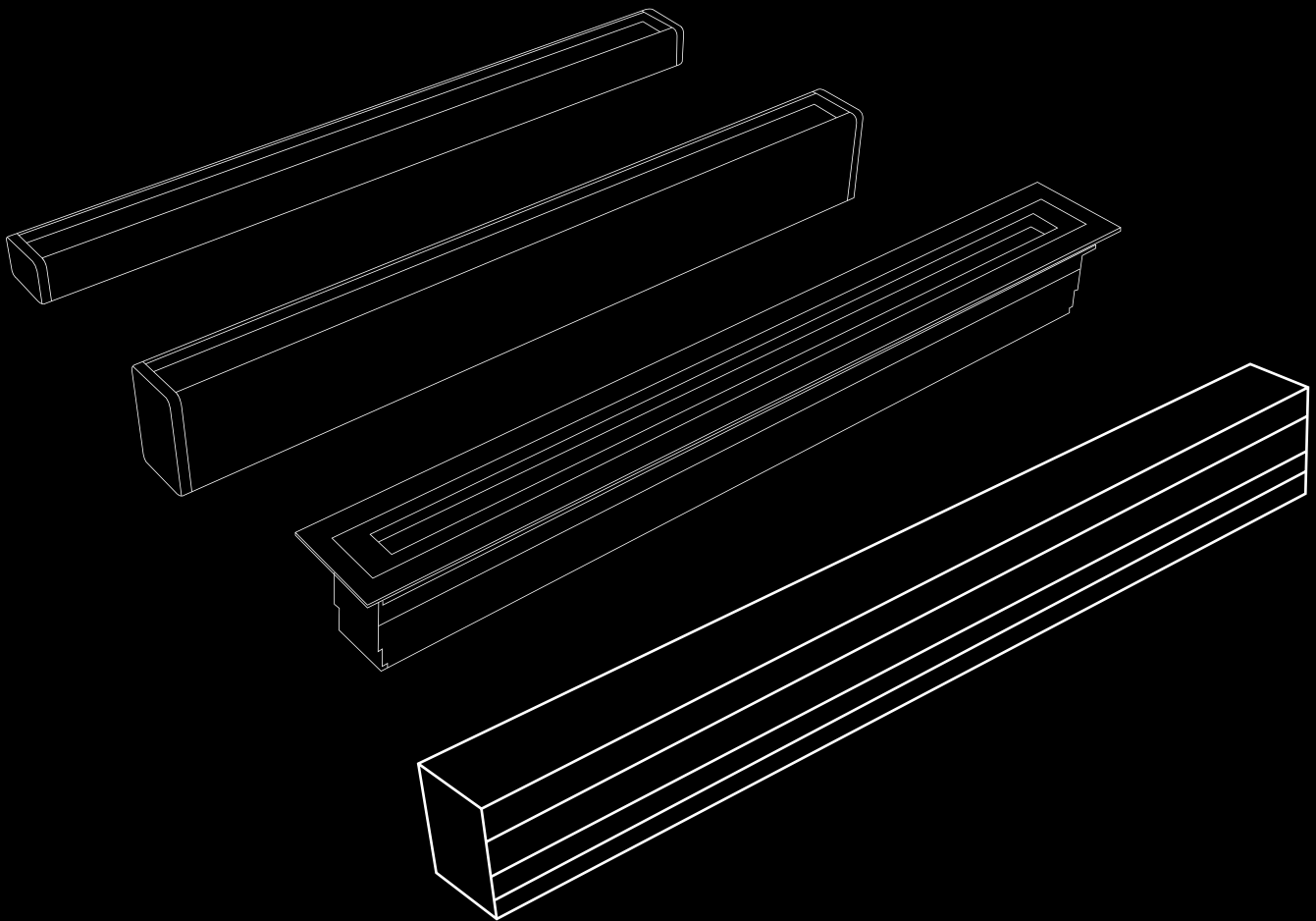
	DRIVER	CODE
SW	ACDC1900/A/700/SWT/NONE/IP20	21100102
DALI	ACDC1900/A/700/DALI/SOLO/IP20	21100108
DMX	ACDC1900/E/700/DMX/MULTI/IP20 (12 per channel x 3ch)	21100112





# LINEAR

BLADE  
VISTA









# BLADE

## GET IN THE MOOD

BLADE is a family of linear luminaires that change the way we see buildings and structures at night.

BLADE grazes their light across the surface so we can see texture or completely change it with a spectrum of colour.

By day you won't know it's there, at night BLADE comes alive.

# BLADE LRi

**POWERFUL LOW GLARE LINEAR GRAZING LUMINAIRE  
AVAILABLE IN IN-GROUND WITH INTEGRAL DRIVER**

**IP67**



## FEATURES

**BLADE LRi** is a linear recessed integral driver product which is designed to create amazing scenes on architectural facades, bridges and monuments.

**Inspired by the transition from day to night and the amazing natural graze the sun creates across the landscape:** The clean beam design eliminates corona, colours mixing on the wall, and scalloping. Using 1 linear optic which runs consistently the length of the product, you get a homogenous lit appearance of the product and a clean lit effect on the wall. This is achieved with a tightly packed mid power board assembly with 1 linear mixing chamber and diffuser.

**Simple Fast and Flexible installation:** Most of the fittings you will buy are in the middle of a run therefore we have provided a cable the length of its own body to connect to the previous product. We have provided as an accessory a through wire connector and 20m cable, to allow you to cut the wire to length on site and reconnect with an IP67 seal.

**Comfort for the observer:** The light source is recessed into the body to provide a primary level of glare control, however to give a further level of protection there is a louvre which is internal to the product to make it incredibly comfortable to view in an environment.





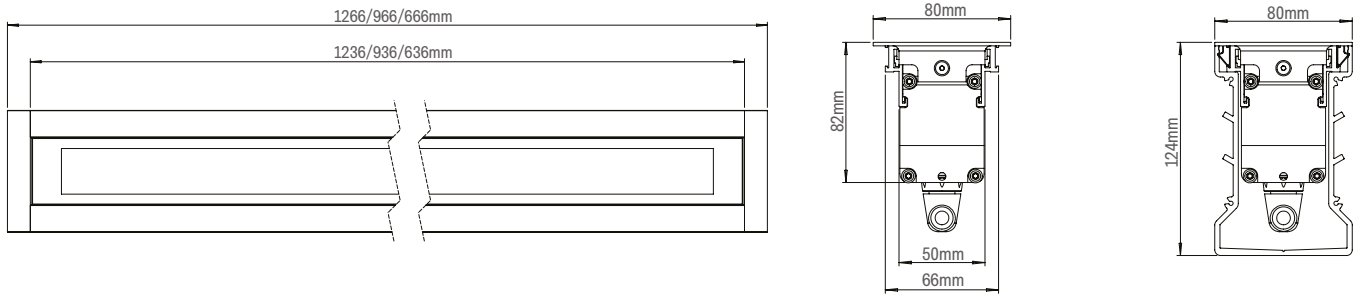


## LIGHT SOURCE INFO

LENGTH	ENGINE TYPE	CRI	OPTIC	COLOUR TEMP (K)	LUMINAIRE LUMEN OUTPUT (lm)	LUMINAIRE LUMENS PER CIRCUIT WATT (lm/cW)	POWER CONSUMPTION. INCLUDING 85% EFFICIENT DRIVER (W)	LIFETIME L70. BASED ON TM-21	COLOUR CONSISTENCY
L12	STANDARD BRIGHT	80	NARROW	2700	1795	85.5	21	>50,000 HOURS	2 STEP MACADAM ELLIPSE
		80		3000	1850	88.1	21		
		80		4200	1906	90.8	21		
L12	EXTRA BRIGHT	80	NARROW	2700	4786	85.5	56	>50,000 HOURS	2 STEP MACADAM ELLIPSE
		80		3000	4934	88.1	56		
		80		4200	5082	90.8	56		

indicative data

## DIMENSIONS



## BUILD YOUR PRODUCT

PRODUCT		LENGTH		COLOUR TEMP		OPTIC		FINISH		ACCESSORY		TILT		IP RATING		DIMMING			
BLADE LRi	BL LRi	636mm/EB	L06 2400	2700K	-827	NARROW	N	ANODISED SILVER	AS	LINEAR LOUVRE	LO	0°	0	IP67	67	NON-DIMMABLE	HF		
		636mm/SB	L06 900	3000K	-830	MEDIUM	M	ANODISED BLACK	ABK	NONE		5°	5			DALI	HFX		
		936mm/EB	L09 3800	4000K	-840	WIDE FLOOD	WF										DMX	DMX	
		936mm/SB	L09 1400	RGB	-RGB														
		1236mm/EB	L12 5000	RGBW	-RGBW														
		1236mm/SB	L12 1900																
BL LRi		L06 3000		-827		N		AS		LO		0		67		HF			

subject to change

acdc

# BLADE Si

**POWERFUL LOW GLARE LINEAR GRAZING LUMINAIRE  
SURFACE MOUNTED WITH INTEGRAL DRIVER**

**IP67**



84mm



## FEATURES

**BLADE Si** is a surface mount integral driver product which is designed to create amazing scenes on architectural façade, bridges and monuments.

**Inspired by the transition from night to day and the amazing natural graze the sun creates across the landscape:** The clean beam design eliminates corona, colours mixing on the wall, and scalloping. Using 1 linear optic which runs consistently the length of the product, you get a homogenous lit appearance of the product and a clean lit effect on the wall. This is achieved with a tightly packed mid power board assembly with 1 linear mixing chamber and diffuser.

**Simple Fast and Flexible installation:** With an integral driver the fittings are completely plug and play with panel mounted connectors, which you can plug starter and link cables into, which are all provided by acdc as accessories. You also have the possibility to cut the cable on site and buy our through wire connector and 20m roll of cable to extend or shorten gaps between products.

**Comfort for the observer:** The light source is recessed into the body to provide a primary level of glare control, however to give a further level of protection there is a louvre which is internal to the product to make it incredibly comfortable to view in an environment.

**Wide range of bracket design:** There is a choice of 4 brackets starting from a simple 10 degree fine adjustable, to a fully adjustable bracket, to a fully adjustable long arm bracket at 150mm and 300mm to ensure you get an optimised level of aiming for your project needs.







acdc

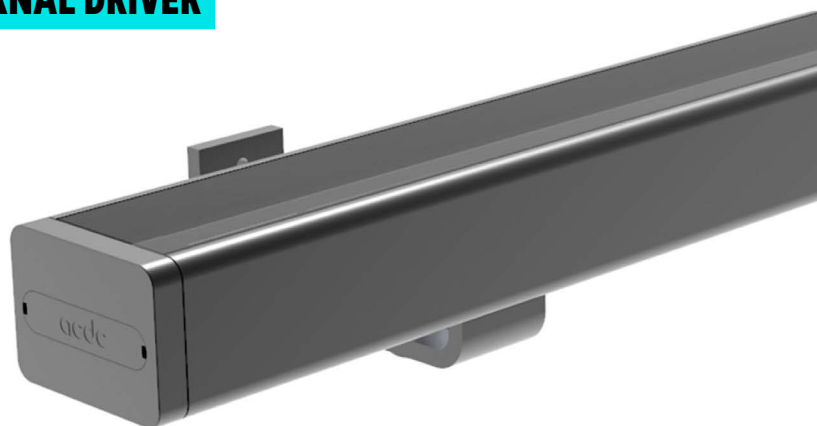
# BLADE Sx

**POWERFUL LOW GLARE LINEAR GRAZING LUMINAIRE  
SURFACE MOUNTED WITH EXTERNAL DRIVER**

**IP67**



39mm



## FEATURES

**BLADE Sx** is a surface mount remote driver product which is design to be slim and unobstrusive, creating amazing scenes on architectural facades, bridges and monuments.

**Inspired by the transition from night to day and the amazing natural graze the sun creates across the landscape:** The clean beam design eliminates corona, colours mixing on the wall, and scalloping. Using 1 linear optic which runs consistently the length of the product, you get a homogenous lit appearance of the product and a clean lit effect on the wall. This is achieved with a tightly packed mid power board assembly with 1 linear mixing chamber and diffuser.

**Comfort for the observer:** The light source is recessed into the body to provide a primary level of glare control, however to give a further level of protection there is a louvre which is internal to the product to make it incredibly comfortable to view in an environment.

**Wide range of bracket design:** There is a choice of 4 brackets starting from a simple 10 degree fine adjustable, to a fully adjustable bracket, to a fully adjustable long arm bracket at 150mm and 300mm to ensure you get an optimised level of aiming for your project needs. The luminaire has an IK10 rating walkover 1 tonne and drive over 6 tonnes.



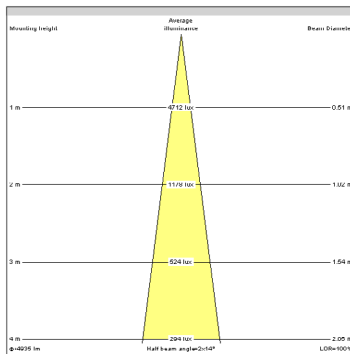


## LIGHT SOURCE INFO

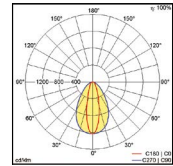
LENGTH	ENGINE TYPE	CRI	OPTIC	COLOUR TEMP (K)	LUMINAIRE LUMEN OUTPUT (lm)	LUMINAIRE LUMENS PER CIRCUIT WATT (lm/cW)	POWER CONSUMPTION. INCLUDING 85% EFFICIENT DRIVER (W)	LIFETIME L70. BASED ON TM-21	COLOUR CONSISTENCY
L12	STANDARD BRIGHT	80	NARROW	2700	1795	85.5	21	>50,000 HOURS	2 STEP MACADAM ELLIPSE
		80		3000	1850	88.1	21		
		80		4200	1906	90.8	21		
L12	EXTRA BRIGHT	80	NARROW	2700	4786	85.5	56	>50,000 HOURS	2 STEP MACADAM ELLIPSE
		80		3000	4934	88.1	56		
		80		4000	5082	90.8	56		

indicative data

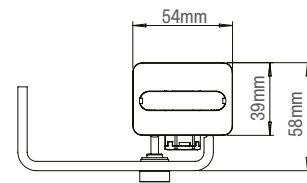
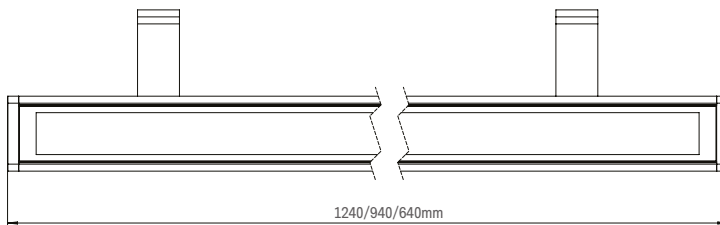
## CONE DIAGRAM



## POLAR PLOT



## DIMENSIONS



## BUILD YOUR PRODUCT

PRODUCT		LENGTH		COLOUR TEMP		OPTIC		FINISH		ACCESSORY		BRACKET		IP RATING	
BLADE Sx	BL Sx	636mm/EB	L06 2400	2700K	-827	NARROW	N	SILVER	SI	COWL	CW	STANDARD	STD	IP67	67
		636mm/SB	L06 900	3000K	-830	MEDIUM	M	BLACK	BK	CROSS VEIN LOUVRE	LO	FULLY ADJUSTABLE	AJ		
		936mm/EB	L09 3800	4000K	-840	WIDE FLOOD	WF			NONE		LONG ARM 150mm	LA01		
		936mm/SB	L09 1400	RGB	-RGB							LONG ARM 300mm	LA03		
		1236mm/EB	L12 5000	RGBW	-RGBW										
		1236mm/SB	L12 1900												
BL Sx		L06 3000		-827		N		SI		CW		STD		67	

subject to change









# VISTA

**WITHOUT LIGHT  
THERE IS NO BEAUTY**

VISTA pushes the boundaries of creative lighting. During the day you wouldn't know it's there, so modest in its design, camouflaged within the space.

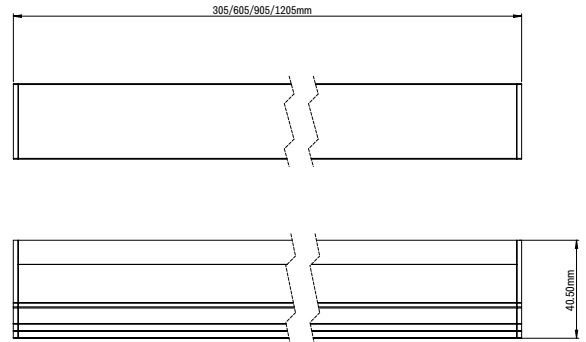
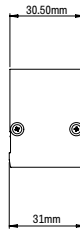
At night it's a different story.

Lines of light give direction and orientation together with creating amazing imagery for everyone to take in, experience and appreciate the emotional power of light.

# VISTA

## AN ULTRA SLIM AND COMPACT LINEAR LED MARKER LIGHT

IP67



### FEATURES

**Minimalistic Design:** Minimal in its design and small in size, VISTA is unobtrusive seamlessly integrating into any façade or in-ground design.

**Homogenous Illumination:** The internal detailing of the luminaire has been designed with a 20mm LED pitch to ensure outstanding, consistent lit effect across the whole surface.

**Installation and Mounting:** VISTA can be mounted, semi recessed or recessed for all types of application depending on the type of environment. Plug and play fitting means the luminaires can be fitted end to end for continuous lit effect. Installation can be carried out by one person quickly to keep installation times to a minimum.

### GLOBAL APPLICATION

Suitable for the delineation of façades or inground detailing in the public realm. They are suitable for outdoor applications with IP67 and for use in ambient temperatures ranging from -20°/+50°C. Providing a level of safeguard when used in extreme and challenging external environments. Tested for durability and reliability VISTA has maximum static load at 1000kg and is impact resistant to IK07.





## LIGHT SOURCE INFO

LENGTH	ENGINE TYPE	CRI	OPTIC	COLOUR TEMP (K)	LUMINAIRE LUMEN OUTPUT (lm)	LUMINAIRE LUMENS PER CIRCUIT WATT (lm/cW)	POWER CONSUMPTION. INCLUDING 85% EFFICIENT DRIVER (W)	LIFETIME L70. BASED ON TM-21	COLOUR CONSISTENCY
L12	N/A	80	N/A	2700	302	24.16	12.5	>50,000 HOURS	2 STEP MACADAM ELLIPSE
		80		3000K	310	24.83	12.5		
		80		4000	320	25.6	12.5		
		80		6000	327	26.16	12.5		

## BUILD YOUR PRODUCT

PRODUCT		LENGTH		COLOUR TEMP		FINISH		PROTECTION	
VISTA	VISTA	305mm	L03	2700K	-27	ALUMINIUM SILVER	AS	IP67	67
		605mm	L06	3000K	-30				
		905mm	L09	4000K	-40				
		1205mm	L12	6000K	-60				
				RED	-RED				
				GREEN	-GRN				
				BLUE	-BLU				
				AMBER	-AMB				
				RGB	-RGB				
VISTA		L03		27		AS			67

ACCESSORIES		CODES
Single Colour Starter Leads - Optional Lengths 2/15/25m	VISTA STRATER LEAD 1775/xxm	2m 21901068 15m 2191005 25m 21900804
RGB Starter Leads Optional Lengths 2/10/20/30m	VISTA STARTER LEAD RGB 1776/xxm	2m 21901773 10m 21902849
Link Leads - Optional Lengths 1/2/4m	VISTA LINK LEAD 1778/xm	1m 21901677 2m 21900806 4m 21902031
RGB Power Feed Leads Optional Lengths 2/8m	VISTA T PIECE RGB 1777/xm	2m 21902850 8m 21902851
DMX Termination Cap	VISTA TERM CAP DMX 1779	21901006





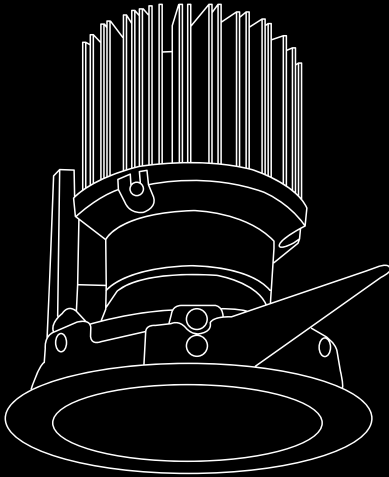
# **WHAT WE MAKE FOR INDOOR**

**INDOOR ARCHITECTURAL PRODUCTS**

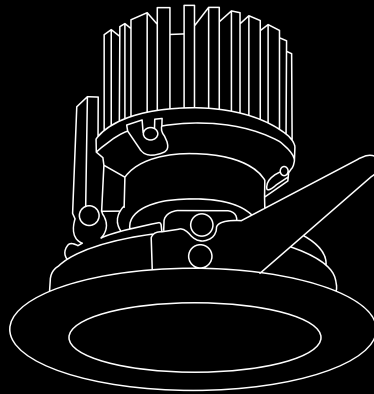


# DOWNLIGHTS

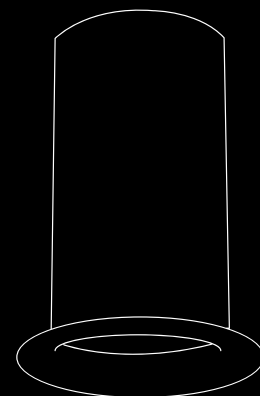
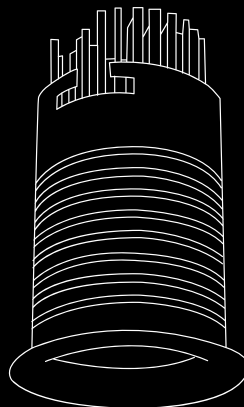
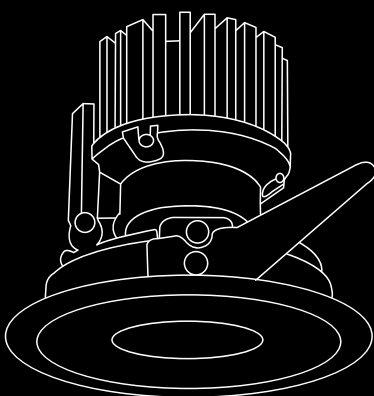
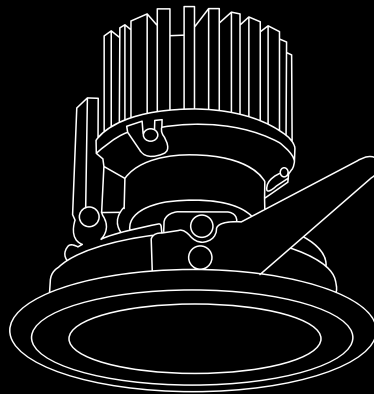
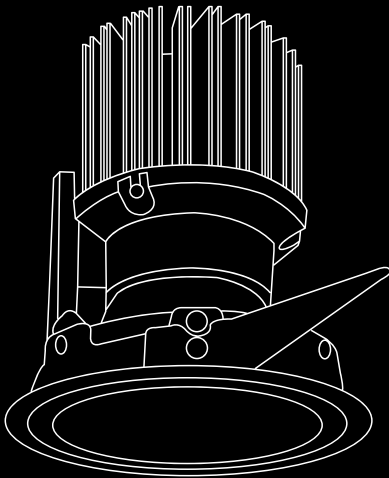
**NOVUS**  
**NOVUS MINI**



**AIR**  
**AIR MINI**



**DARC PRO**  
**ARENA**  
**GIO**











# NOVUS

**WORK HARD  
PLAY HARD**

NOVUS loves to use the power of light to enhance our everyday experiences.

These versatile downlights provide a backdrop to the way we live, without us knowing it, they make us productive at work and help us shop till we drop.

NOVUS creates experiences for us to identify and engage with.

[80. LED 1000](#)

[84. NARROW BEAM](#)

[88. LED 2000](#)

[92. WALLWASH](#)

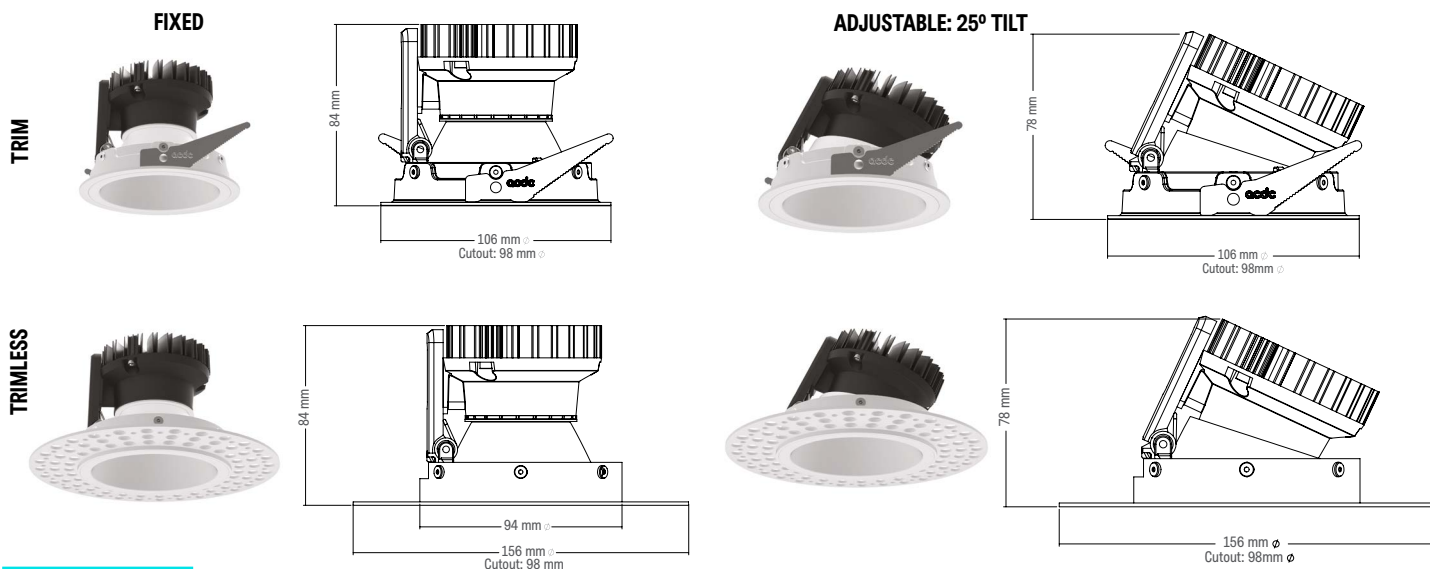
[96. WARMZERO](#)

[98. DYNAMIC WHITE](#)

# NOVUS LED 1000 80CRI

**A FLAT EDGE ARCHITECTURAL DOWNLIGHT AVAILABLE IN FIXED AND ADJUSTABLE FORMATS DELIVERING 1000 AND 2000 LUMENS**

**IP54 - FIXED / IP20 - ADJUSTABLE**



## FEATURES

**Minimalistic Design:** Flat edge trim design, incredibly compact and beautifully designed to blend seamlessly within the architectural environment. Adjustable tilts up to 25° and rotates 355° allowing complete control of the light and quick and simple hot focusing on site. When adjusted our unique offset pivot point allows the beam to be directed without any light loss.

**Clean Beam Design (CBD) with wide optic choices:** NOVUS single point light source design, efficient interchangeable optics and internal detailing of the luminaire have been designed to ensure outstanding control of the beam angle and the cleanliness of the overall lit effect, without stray light or unpleasant imaging.

**Broad choice as standard:** NOVUS has a selection of beam angles with its highly efficient optics and a choice of colour temperatures. NOVUS and AIR downlights are interchangeable and offer a clean straight trim or soft trim to suit the individual design. NOVUS colour rendering is at the highest level with an 80CRI or 90CRI choice. NOVUS trim comes in standard white and black and can also be customised in RAL to any decoration to ensure complete integration into the architecture.

**Complete Glare Control:** Single point light source combined with a deep recessed LED position gives you the ultimate in user comfort and complete glare control. Additional accessories are available in the form of a honeycomb louvre and frosted glass for those applications that need a little more help.

**Installation and mounting:** Installation ring has been designed to ensure a quick first fix installation. The click in reflector allows for simple and rapid first fix installation and removal of the light engine without any hassle.

## GLOBAL APPLICATION

Illuminating areas for hospitality, retail and residential. They are suitable for indoor applications with IP54 and IP20 and for use in ambient temperatures ranging from -20°/+50°C. Providing a level of safeguard when used in extreme and challenging environments.

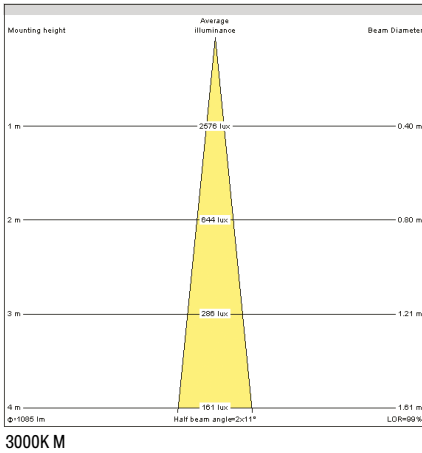




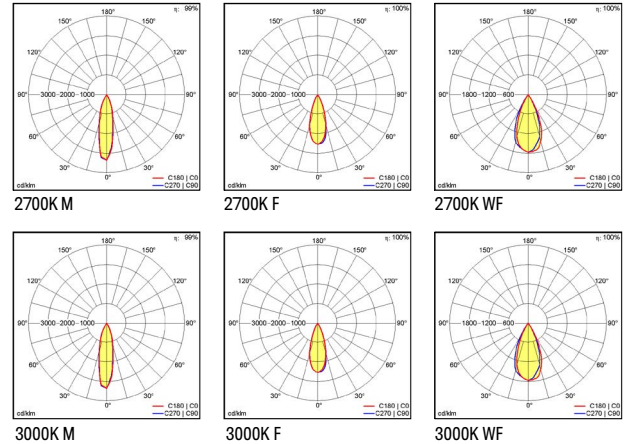
## LIGHT SOURCE INFO

ENGINE TYPE	CRI	OPTIC	COLOUR TEMP (K)	LUMINAIRE LUMEN OUTPUT (lm)	LUMINAIRE LUMENS PER CIRCUIT WATT (lm/cW)	POWER CONSUMPTION, INCLUDING 85% EFFICIENT DRIVER (W)	LIFETIME L70, BASED ON TM-21	COLOUR CONSISTENCY
LED 1000	80	MEDIUM	2700	1090	76.8	14.2	>50,000 HOURS	2 STEP MACADAM ELLIPSE
	80		3000	1253	88.2	14.2		
	80		4000	1291	90.9	14.2		
	80		5000	1140	80.3	14.2		

## CONE DIAGRAM



## POLAR PLOT



## BUILD YOUR PRODUCT

PRODUCT		LUMEN OUTPUT		COLOUR TEMPERATURE		LIGHT ENGINE		OPTICS		TRIM		REFLECTOR		VARIANT		ACCESSORIES		PROTECTION		IP54 ACCESSORY		DRIVER	
NOVUS	NV	1300	1300	2700K	-827	1000	1K	MEDIUM 25°	M	WHITE	WH	WHITE	WH	FIXED	FD	HONEYCOMB LOUVRE	HL	IP20	20	CLEAR GLASS	CG	SWITCHED	HF
				3000K	-830			FLOOD 33°	F	BLACK	BK	BLACK	BK	ADJUSTABLE	AJ	FROSTED GLASS	FG	IP54	54	FROSTED GLASS	FG	1-10V	HFA
				4000K	-840			WIDE FLOOD 45°	WF	*TRIMLESS	TL	SATIN	ST			NONE						PHASE	LPC
				5000K	-850					RAL	RAL	SPECULAR	SP									DALI	HFX
												RAL	RAL									NONE	NON
	NV		1300		-827		1K		M		WH		WH		FD		HL		20		CG		HF

DMX option available to run multiple fittings - order separately

### ACCESSORY

TRIMLESS RING	1853 (NV)
---------------	-----------

\*Trimless ring ordered separately

## NOVUS EXTRAS



**HONEYCOMB LOUVRE**  
(included in fitting. Can be ordered as separate engine accessory.)



**FROSTED GLASS**  
(included in fitting. Can be ordered as separate engine accessory.)

## FREQUENTLY SPECIFIED

PRODUCT DESCRIPTION	CODE
NV 1300-827 1K M WH WH AJ 20 HF	21001361
NV 1300-827 1K M WH WH FD 20 HF	21001329
NV 1300-830 1K WF BK BK AJ 20 HFA	21001518

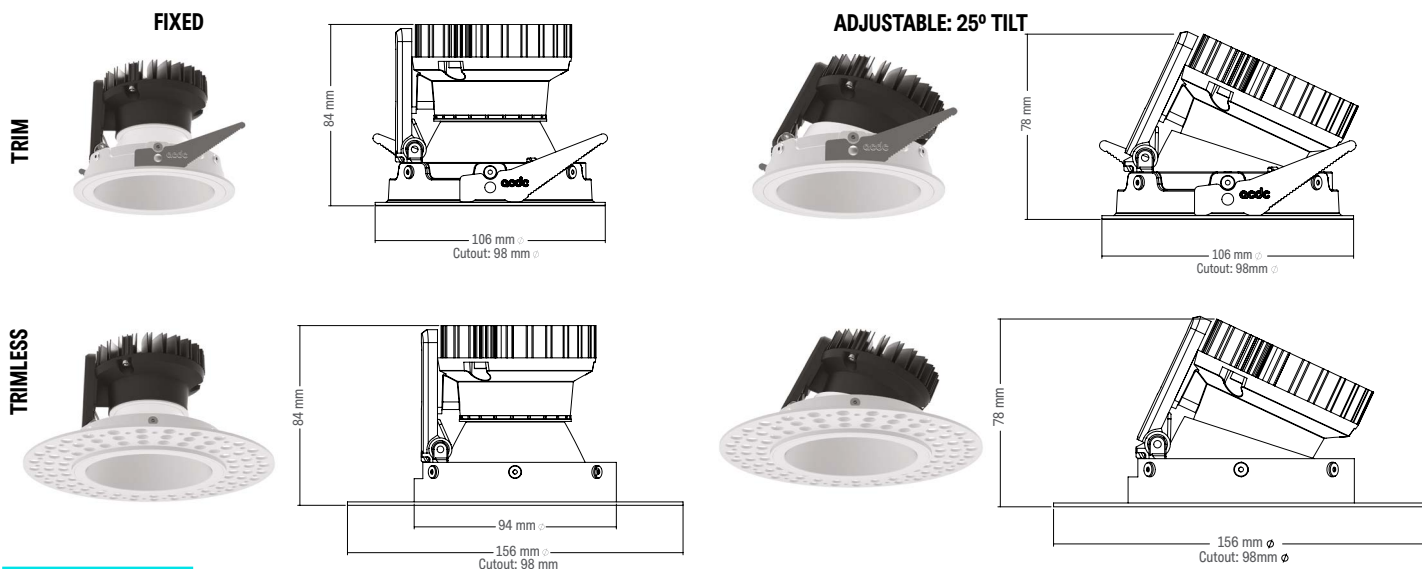
PRODUCT DESCRIPTION	CODE
NV 1300-830 1K M WH WH FD 20 LPC	21001589
NV 1300-827 1K WF BK BK AJ 20 LPC	21001642
NV 1300-827 1K F WH WH AJ 20 HFX	21007188



# NOVUS LED 1000 90CRI

**A FLAT EDGE ARCHITECTURAL DOWNLIGHT AVAILABLE IN FIXED AND ADJUSTABLE FORMATS DELIVERING 1000 AND 2000 LUMENS**

**IP54 - FIXED / IP20 - ADJUSTABLE**



## FEATURES

**Minimalistic Design:** Flat edge trim design, incredibly compact and beautifully designed to blend seamlessly within the architectural environment. Adjustable tilts up to 25° and rotates 355° allowing complete control of the light and quick and simple hot focusing on site. When adjusted our unique offset pivot point allows the beam to be directed without any light loss.

**Clean Beam Design (CBD) with wide optic choices:** NOVUS single point light source design, efficient interchangeable optics and internal detailing of the luminaire have been designed to ensure outstanding control of the beam angle and the cleanliness of the overall lit effect, without stray light or unpleasant imaging.

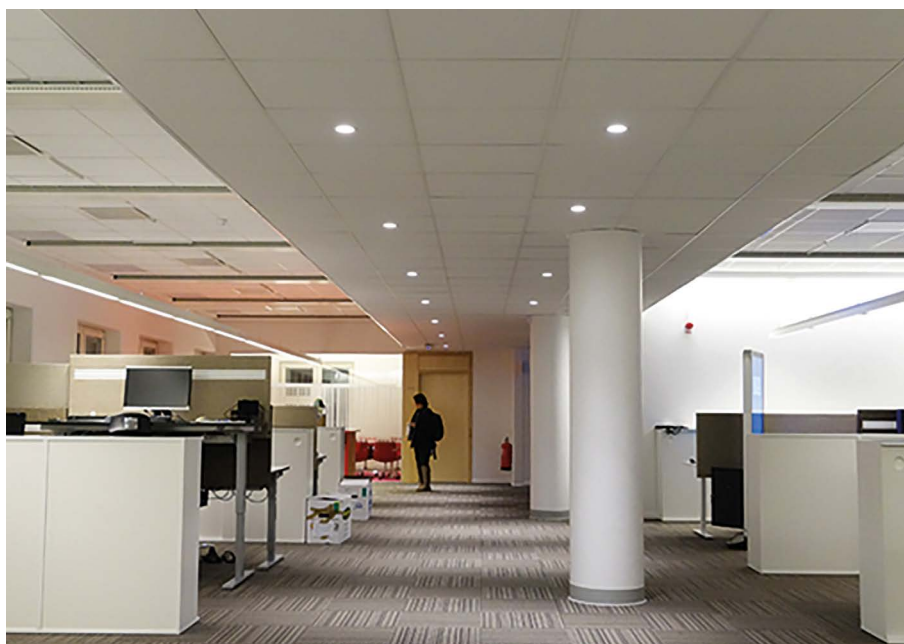
**Broad choice as standard:** NOVUS has a selection of beam angles with its highly efficient optics and a choice of colour temperatures. NOVUS and AIR downlights are interchangeable and offer a clean straight trim or soft trim to suit the individual design. NOVUS colour rendering is at the highest level with an 80CRI or 90CRI choice. NOVUS trim comes in standard white and black and can also be customised in RAL to any decoration to ensure complete integration into the architecture.

**Complete Glare Control:** Single point light source combined with a deep recessed LED position gives you the ultimate in user comfort and complete glare control. Additional accessories are available in the form of a honeycomb louvre and frosted glass for those applications that need a little more help.

**Installation and mounting:** Installation ring has been designed to ensure a quick first fix installation. The click in reflector allows for simple and rapid first fix installation and removal of the light engine without any hassle.

## GLOBAL APPLICATION

Illuminating areas for hospitality, retail and residential. They are suitable for indoor applications with IP54 and IP20 and for use in ambient temperatures ranging from -20°/+50°C. Providing a level of safeguard when used in extreme and challenging environments.

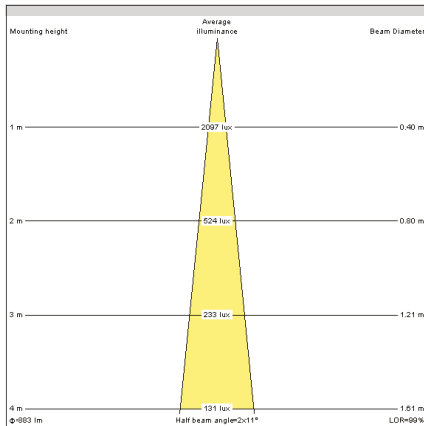




## LIGHT SOURCE INFO

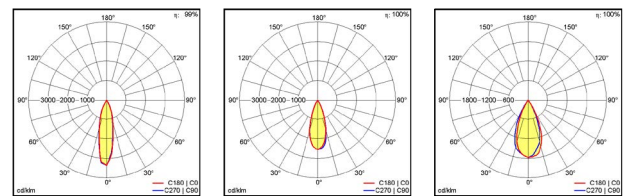
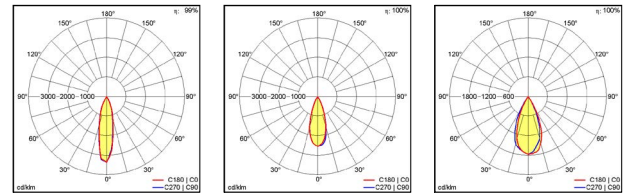
ENGINE TYPE	CRI	OPTIC	COLOUR TEMP (K)	LUMINAIRE LUMEN OUTPUT (lm)	LUMINAIRE LUMENS PER CIRCUIT WATT (lm/cW)	POWER CONSUMPTION, INCLUDING 85% EFFICIENT DRIVER (W)	LIFETIME L70, BASED ON TM-21	COLOUR CONSISTENCY
LED 1000	90	MEDIUM	2700	883	62.2	14.2	>50,000 HOURS	2 STEP MACADAM ELLIPSE
	90		3000	1085	76.4	14.2		
	90		4000	1117	78.7	14.2		
	90		5000	1063	74.9	14.2		

## CONE DIAGRAM



2700K M

## POLAR PLOT



## BUILD YOUR PRODUCT

PRODUCT		LUMEN OUTPUT		COLOUR TEMPERATURE		LIGHT ENGINE		OPTICS		TRIM		REFLECTOR		VARIANT		ACCESSORIES		PROTECTION		IP54 ACCESSORY		DRIVER	
NOVUS	NV	1100	1100	2700K	-927	1000	1K	MEDIUM 25°	M	WHITE	WH	WHITE	WH	FIXED	FD	HONEYCOMB LOUVRE	HL	IP20	20	CLEAR GLASS	CG	SWITCHED	HF
				3000K	-930			FLOOD 33°	F	BLACK	BK	BLACK	BK	ADJUSTABLE	AJ	FROSTED GLASS	FG	IP54	54	FROSTED GLASS	FG	1-10V	HFA
				4000K	-940			WIDE FLOOD 45°	WF	*TRIMLESS	TL	SATIN	ST			NONE						PHASE	LPC
				5000K	-950					RAL	RAL	SPECULAR	SP									DALI	HFX
												RAL	RAL									NONE	NON
	NV		1100		-927		1K		M		WH		WH		FD		HL		20		CG		HF

DMX option available to run multiple fittings - order separately

### ACCESSORY

TRIMLESS RING	1853 (NV)
---------------	-----------

\*Trimless ring ordered separately

## NOVUS EXTRAS



**HONEYCOMB LOUVRE**  
(included in fitting. Can be ordered as separate engine accessory.)



**FROSTED GLASS**  
(included in fitting. Can be ordered as separate engine accessory.)

## FREQUENTLY SPECIFIED

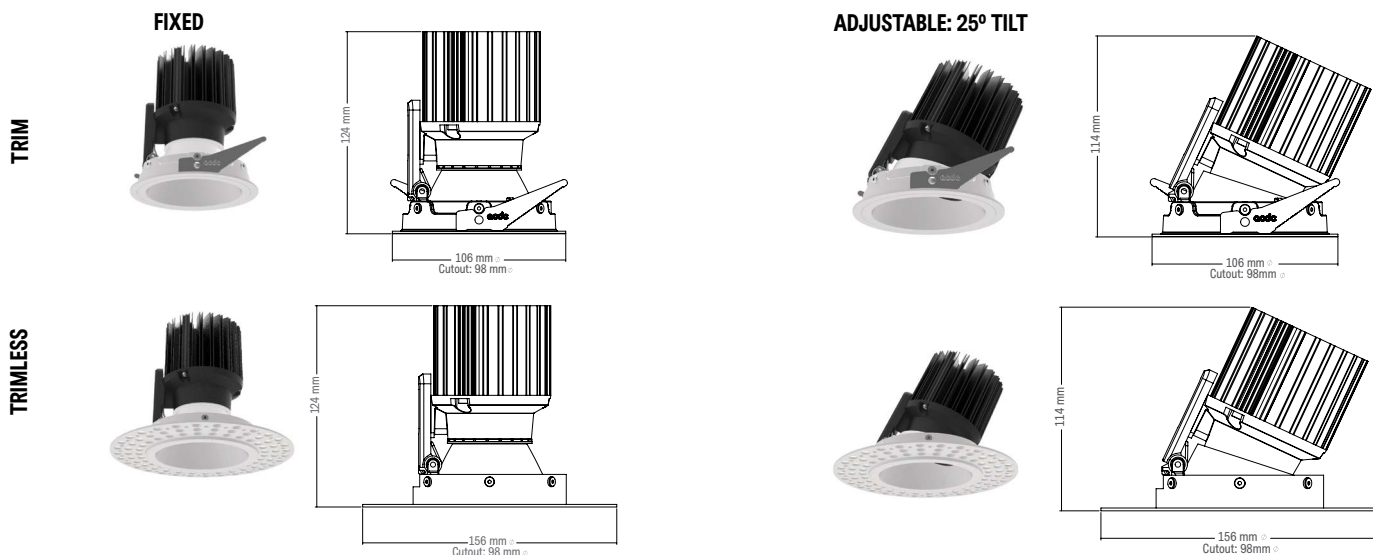
PRODUCT DESCRIPTION	CODE
NV 1100-927 1K M WH WH AJ 20 HF	21001363
NV 1100-927 1K M WH WH FD 20 HF	21001331
NV 1100-930 1K WF BK BK AJ 20 HFA	21001520

PRODUCT DESCRIPTION	CODE
NV 1100-930 1K M WH WH FD 20 LPC	21001591
NV 1100-927 1K WF BK BK AJ 20 LPC	21001644
NV 1100-927 1K F WH WH AJ 20 HFX	21007193

# NOVUS NB 1000 80CRI

**A FLAT EDGE ARCHITECTURAL DOWNLIGHT AVAILABLE IN FIXED AND ADJUSTABLE FORMATS DELIVERING 1000 AND 2000 LUMENS**

**IP54 - FIXED / IP20 - ADJUSTABLE**



## FEATURES

**Minimalistic Design:** Flat edge trim design, incredibly compact and beautifully designed to blend seamlessly within the architectural environment. Adjustable tilts up to 25° and rotates 355° allowing complete control of the light and quick and simple hot focusing on site. When adjusted our unique offset pivot point allows the beam to be directed without any light loss.

**Clean Beam Design (CBD) with wide optic choices:** NOVUS single point light source design, efficient interchangeable optics and internal detailing of the luminaire have been designed to ensure outstanding control of the beam angle and the cleanliness of the overall lit effect, without stray light or unpleasant imaging.

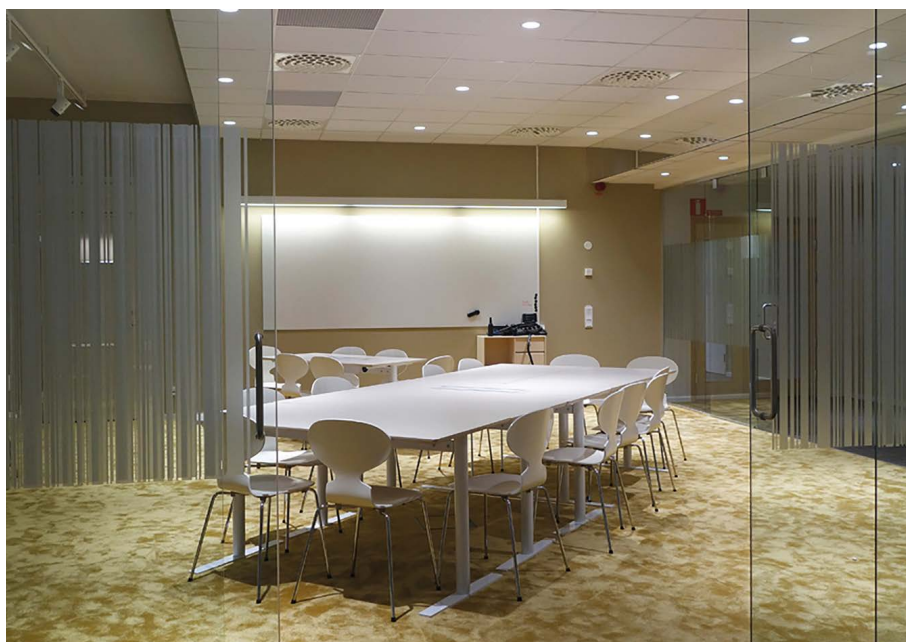
**Broad choice as standard:** NOVUS has a selection of beam angles with its highly efficient optics including narrow beam with a choice of colour temperatures. NOVUS and AIR downlights are interchangeable and offer a clean straight trim or soft trim to suit the individual design. NOVUS colour rendering is at the highest level with an 80CRI or 90CRI choice. NOVUS trim comes in standard white and black and can also be customised in RAL to any decoration to ensure complete integration into the architecture.

**Complete Glare Control:** Single point light source combined with a deep recessed LED position gives you the ultimate in user comfort and complete glare control. Additional accessories are available in the form of a honeycomb louvre and frosted glass for those applications that need a little more help.

**Installation and mounting:** Installation ring has been designed to ensure a quick first fix installation. The click in reflector allows for simple and rapid first fix installation and removal of the light engine without any hassle.

## GLOBAL APPLICATION

Illuminating areas for hospitality, retail and residential. They are suitable for indoor applications with IP54 and IP20 and for use in ambient temperatures ranging from -20°/+50°C. Providing a level of safeguard when used in extreme and challenging environments.



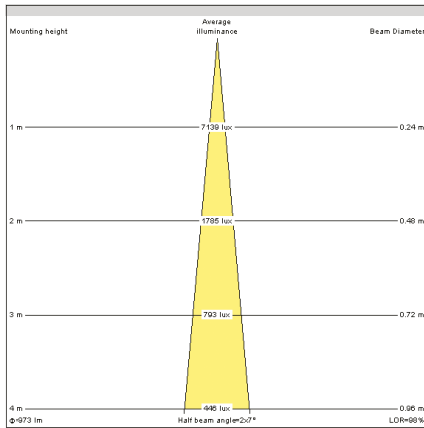




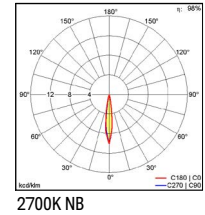
## LIGHT SOURCE INFO

ENGINE TYPE	CRI	OPTIC	COLOUR TEMP (K)	LUMINAIRE LUMEN OUTPUT (lm)	LUMINAIRE LUMENS PER CIRCUIT WATT (lm/cW)	POWER CONSUMPTION. INCLUDING 85% EFFICIENT DRIVER (W)	LIFETIME L70. BASED ON TM-21	COLOUR CONSISTENCY
NB 1000	80	NARROW	2700	973	60.4	16.1	>50,000 HOURS	2 STEP MACADAM ELLIPSE
	80		3000	1038	64.5	16.1		
	80		4000	1035	64.3	16.1		
	80		5000	1066	66.2	16.1		

## CONE DIAGRAM



## POLAR PLOT



## BUILD YOUR PRODUCT

PRODUCT		LUMEN OUTPUT		COLOUR TEMPERATURE		LIGHT ENGINE		OPTICS		TRIM		REFLECTOR		VARIANT		ACCESSORIES		PROTECTION		IP54 ACCESSORY		DRIVER	
NOVUS	NV	1000	1000	2700K	-827	NB	NB	NARROW 12°	N	WHITE	WH	WHITE	WH	FIXED	FD	HONEYCOMB LOUVRE	HL	IP20	20	CLEAR GLASS	CG	SWITCHED	HF
				3000K	-830					BLACK	BK	BLACK	BK	ADJUSTABLE	AJ	FROSTED GLASS	FG	IP54	54	FROSTED GLASS	FG	1-10V	HFA
				4000K	-840					*TRIMLESS	TL	SATIN	ST			NONE						PHASE	LPC
				5000K	-850					RAL	RAL	SPECULAR	SP									DALI	HFX
												RAL	RAL									NONE	NON
	NV		1000		-827		NB		N		WH		WH		FD		HL		20		CG		HF

DMX option available to run multiple fittings - order separately

### ACCESSORY

TRIMLESS RING	1853 (NV)
---------------	-----------

\*Trimless ring ordered separately

## NOVUS EXTRAS



**HONEYCOMB LOUVRE**  
(included in fitting. Can be ordered as separate engine accessory.)



**FROSTED GLASS**  
(included in fitting. Can be ordered as separate engine accessory.)

## FREQUENTLY SPECIFIED

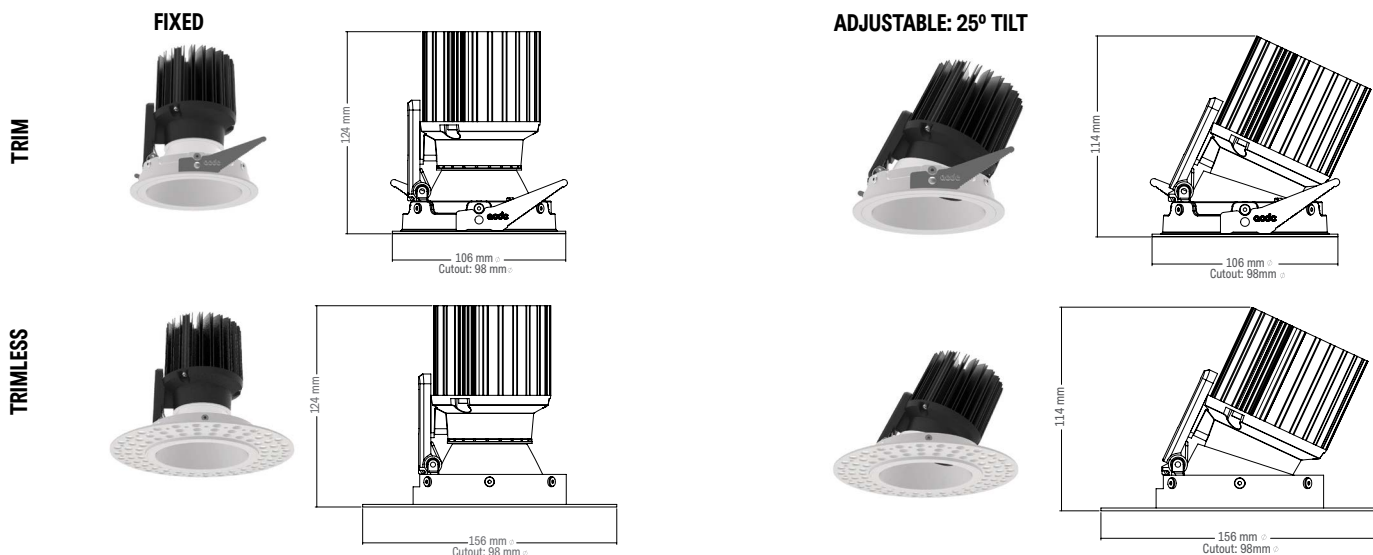
PRODUCT DESCRIPTION	CODE
NV 1000-827 NB N WH WH AJ 20 HF	21001281
NV 1000-827 NB N WH WH FD 20 HF	21001265
NV 1000-830 NB N BK BK AJ 20 HFA	21001327

PRODUCT DESCRIPTION	CODE
NV 1300-830 1K M WH WH FD 20 LPC	21007330
NV 1000-827 NB N WH WH FD 54 CG HFX	21007375
NV 1000-827 NB N WH WH FD HL 54 CG HFX	21007373

# NOVUS NB 1000 90CRI

**A FLAT EDGE ARCHITECTURAL DOWNLIGHT AVAILABLE IN FIXED AND ADJUSTABLE FORMATS DELIVERING 1000 AND 2000 LUMENS**

**IP54 - FIXED / IP20 - ADJUSTABLE**



## FEATURES

**Minimalistic Design:** Flat edge trim design, incredibly compact and beautifully designed to blend seamlessly within the architectural environment. Adjustable tilts up to 25° and rotates 355° allowing complete control of the light and quick and simple hot focusing on site. When adjusted our unique offset pivot point allows the beam to be directed without any light loss.

**Clean Beam Design (CBD) with wide optic choices:** NOVUS single point light source design, efficient interchangeable optics and internal detailing of the luminaire have been designed to ensure outstanding control of the beam angle and the cleanliness of the overall lit effect, without stray light or unpleasant imaging.

**Broad choice as standard:** NOVUS has a selection of beam angles with its highly efficient optics including narrow beam with a choice of colour temperatures. NOVUS and AIR downlights are interchangeable and offer a clean straight trim or soft trim to suit the individual design. NOVUS colour rendering is at the highest level with an 80CRI or 90CRI choice. NOVUS trim comes in standard white and black and can also be customised in RAL to any decoration to ensure complete integration into the architecture.

**Complete Glare Control:** Single point light source combined with a deep recessed LED position gives you the ultimate in user comfort and complete glare control. Additional accessories are available in the form of a honeycomb louvre and frosted glass for those applications that need a little more help.

**Installation and mounting:** Installation ring has been designed to ensure a quick first fix installation. The click in reflector allows for simple and rapid first fix installation and removal of the light engine without any hassle.

## GLOBAL APPLICATION

Illuminating areas for hospitality, retail and residential. They are suitable for indoor applications with IP54 and IP20 and for use in ambient temperatures ranging from -20°/+50°C. Providing a level of safeguard when used in extreme and challenging environments.

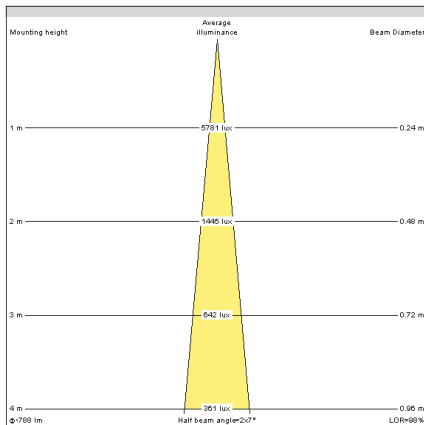




## LIGHT SOURCE INFO

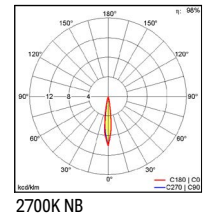
ENGINE TYPE	CRI	OPTIC	COLOUR TEMP (K)	LUMINAIRE LUMEN OUTPUT (lm)	LUMINAIRE LUMENS PER CIRCUIT WATT (lm/cW)	POWER CONSUMPTION. INCLUDING 85% EFFICIENT DRIVER (W)	LIFETIME L70. BASED ON TM-21	COLOUR CONSISTENCY
NB 1000	90	NARROW	2700	788	48.9	16.1	>50,000 HOURS	2 STEP MACADAM ELLIPSE
	90		3000	899	55.8	16.1		
	90		4000	895	55.6	16.1		
	90		5000	994	61.7	16.1		

## CONE DIAGRAM



2700K N

## POLAR PLOT



2700K NB

## BUILD YOUR PRODUCT

PRODUCT		LUMEN OUTPUT		COLOUR TEMPERATURE		LIGHT ENGINE		OPTICS		TRIM		REFLECTOR		VARIANT		ACCESSORIES		PROTECTION		IP54 ACCESSORY		DRIVER	
NOVUS	NV	900	900	2700K	-927	NB	NB	NARROW 12°	N	WHITE	WH	WHITE	WH	FIXED	FD	HONEYCOMB LOUVRE	HL	IP20	20	CLEAR GLASS	CG	SWITCHED	HF
				3000K	-920					BLACK	BK	BLACK	BK	ADJUSTABLE	AJ	FROSTED GLASS	FG	IP54	54	FROSTED GLASS	FG	1-10V	HFA
				4000K	-940					*TRIMLESS	TL	SATIN	ST			NONE						PHASE	LPC
				5000K	-950					RAL	RAL	SPECULAR	SP									DALI	HFX
												RAL	RAL									NONE	NON
	NV		900		-927		NB		N		WH		WH		FD		HL		20		CG		HF

DMX option available to run multiple fittings - order separately

### ACCESSORY

TRIMLESS RING	1853 (NV)
---------------	-----------

\*Trimless ring ordered separately

## NOVUS EXTRAS



**HONEYCOMB LOUVRE**  
(included in fitting. Can be ordered as separate engine accessory.)



**FROSTED GLASS**  
(included in fitting. Can be ordered as separate engine accessory.)

## FREQUENTLY SPECIFIED

PRODUCT DESCRIPTION	CODE
NV 900-927 NB N WH WH AJ 20 HF	21001282
NV 900-927 NB N WH WH FD 20 HFA	21001298
NV 900-930 NB N WH WH AJ 20 HFX	21007474

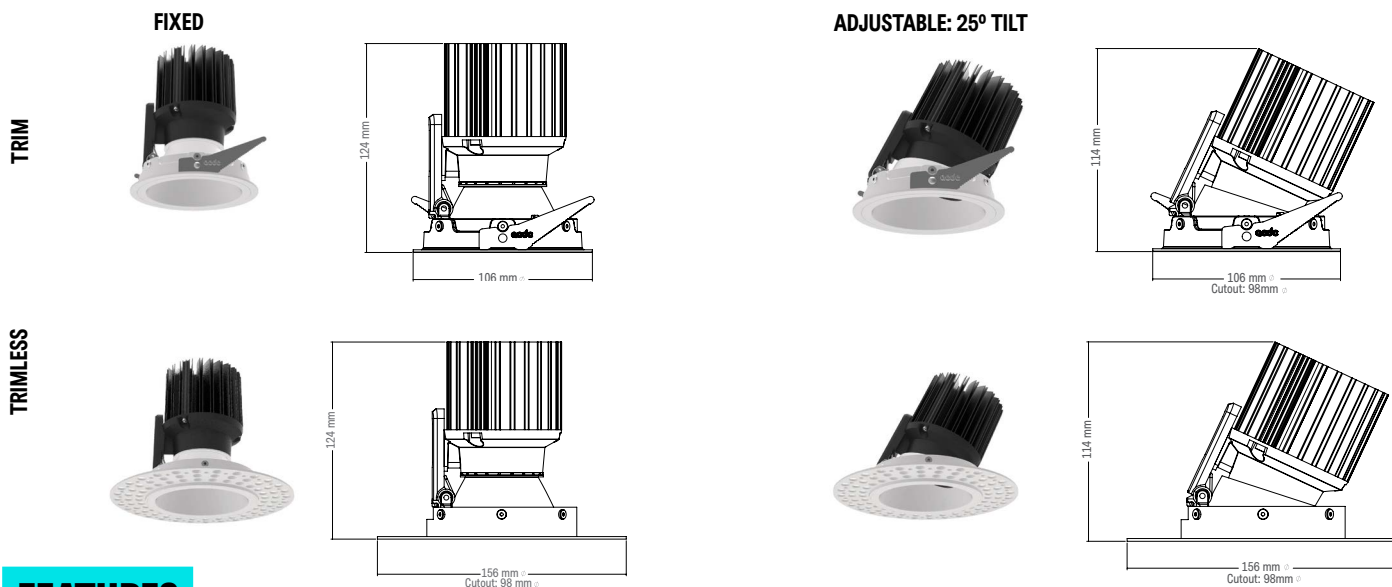
PRODUCT DESCRIPTION	CODE
NV 900-930 NB N BK BK AJ 20 HFA	21001328
NV 900-930 NB N BK BK AJ 20 HFA	21007356
NV 900-927 NB N BK BK AJ 20 HF	21001294



# NOVUS LED 2000 80CRI

**A FLAT EDGE ARCHITECTURAL DOWNLIGHT AVAILABLE IN FIXED AND ADJUSTABLE FORMATS DELIVERING 1000 AND 2000 LUMENS**

**IP54 - FIXED / IP20 - ADJUSTABLE**



## FEATURES

**Minimalistic Design:** Flat edge trim design, incredibly compact and beautifully designed to blend seamlessly within the architectural environment. Adjustable tilts up to 25° and rotates 355° allowing complete control of the light and quick and simple hot focusing on site. When adjusted our unique offset pivot point allows the beam to be directed without any light loss.

**Clean Beam Design (CBD) with wide optic choices:** NOVUS single point light source design, efficient interchangeable optics and internal detailing of the luminaire have been designed to ensure outstanding control of the beam angle and the cleanliness of the overall lit effect, without stray light or unpleasant imaging.

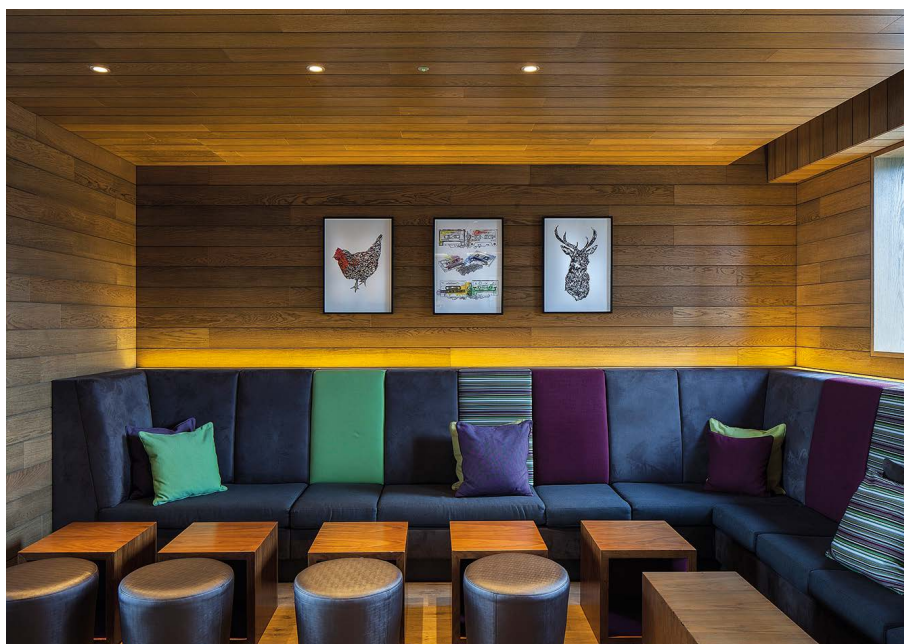
**Broad choice as standard:** NOVUS has a selection of beam angles with its highly efficient optics and a choice of colour temperatures. NOVUS and AIR downlights are interchangeable and offer a clean straight trim or soft trim to suit the individual design. NOVUS colour rendering is at the highest level with an 80CRI or 90CRI choice. NOVUS trim comes in standard white and black and can also be customised in RAL to any decoration to ensure complete integration into the architecture.

**Complete Glare Control:** Single point light source combined with a deep recessed LED position gives you the ultimate in user comfort and complete glare control. Additional accessories are available in the form of a honeycomb louvre and frosted glass for those applications that need a little more help.

**Installation and mounting:** Installation ring has been designed to ensure a quick first fix installation. The click in reflector allows for simple and rapid first fix installation and removal of the light engine without any hassle.

## GLOBAL APPLICATION

Illuminating areas for hospitality, retail and residential. They are suitable for indoor applications with IP54 and IP20 and for use in ambient temperatures ranging from -20°/+50°C. Providing a level of safeguard when used in extreme and challenging environments.

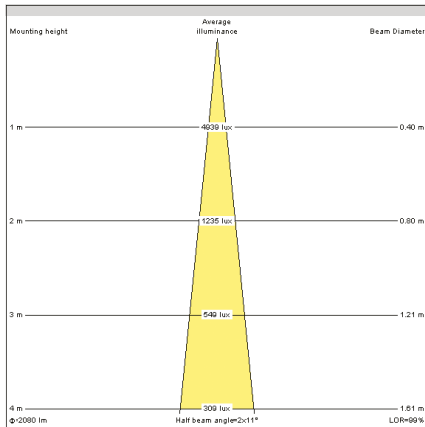




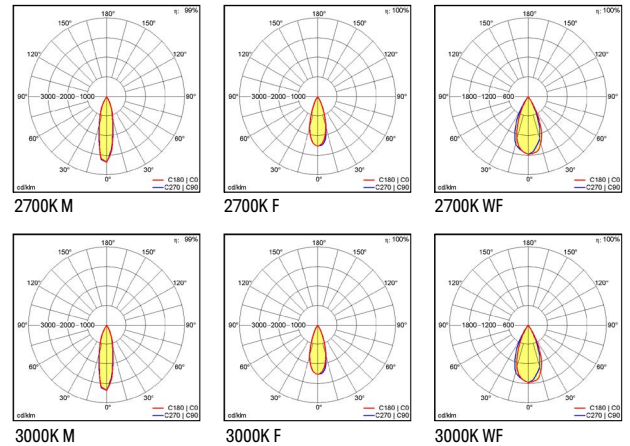
## LIGHT SOURCE INFO

ENGINE TYPE	CRI	OPTIC	COLOUR TEMP (K)	LUMINAIRE LUMEN OUTPUT (lm)	LUMINAIRE LUMENS PER CIRCUIT WATT (lm/cW)	POWER CONSUMPTION. INCLUDING 85% EFFICIENT DRIVER (W)	LIFETIME L70. BASED ON TM-21	COLOUR CONSISTENCY
LED 2000	80	MEDIUM	2700	1862	75.7	24.6	>50,000 HOURS	2 STEP MACADAM ELLIPSE
	80		3000	2121	86.2	24.6		
	80		4000	2197	84.2	24.6		
	80		5000	2194	84.1	24.6		

## CONE DIAGRAM



## POLAR PLOT



## BUILD YOUR PRODUCT

PRODUCT		LUMEN OUTPUT		COLOUR TEMP		LIGHT ENGINE		OPTICS		TRIM		REFLECTOR		VARIANT		ACCESSORIES		PROTECTION		IP54 ACCESSORY		DRIVERS	
NOVUS	NV	2000	2000	2700K	-827	2000	2K	MEDIUM 25°	M	WHITE	WH	WHITE	WH	FIXED	FD	HONEYCOMB LOUVRE	HL	IP20	20	CLEAR GLASS	CG	SWITCHED	HF
				3000K	-830			FLOOD 33°	F	BLACK	BK	BLACK	BK	ADJUSTABLE	AJ	FROSTED GLASS	FG	IP54	54	FROSTED GLASS	FG	1-10v	HFA
				4000K	-840			WIDE FLOOD 45°	WF	*TRIMLESS	TL	SATIN	ST			NONE						DALI	HFX
				5000K	-850					RAL	RAL	SPECULAR	SP										NONE
	NV	2000		-827		2K		M		WH		WH		FD		HL		20		CG		HF	

DMX option available to run multiple fittings - order separately

### ACCESSORY

TRIMLESS RING | 1853 (NV)

\*Trimless ring ordered separately

## NOVUS EXTRAS



**HONEYCOMB LOUVRE**  
(included in fitting. Can be ordered as separate engine accessory.)



**FROSTED GLASS**  
(included in fitting. Can be ordered as separate engine accessory.)

## FREQUENTLY SPECIFIED

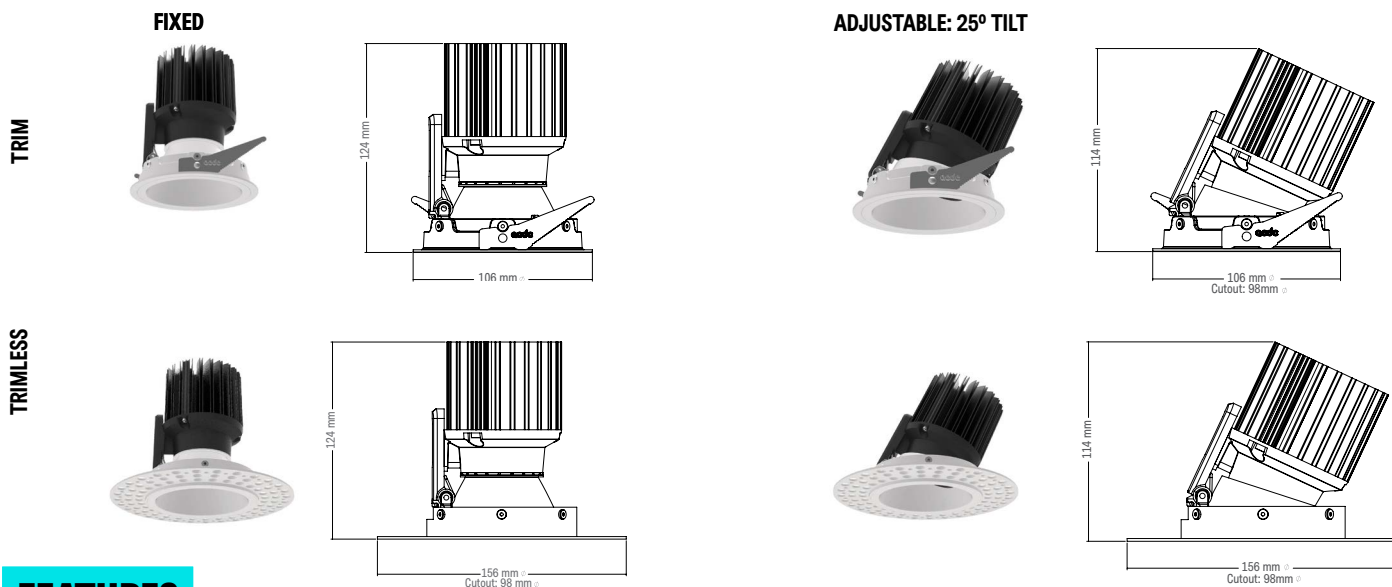
PRODUCT DESCRIPTION	CODE
NV 2000-827 2K F WH WH AJ 20 HFA	21003491
NV 2000-827 2K M WH WH FD 20 HF	21001393
NV 2000-827 2K WF BK BK FD 20 HFX	21007590

PRODUCT DESCRIPTION	CODE
NV 2000-827 2K M BK BK FD 20 HFA	21001545
NV 2000-830 2K F WH WH AJ 20 HFX	21007958
NV 2000-830 2K M BK BK AJ 20 HF	21001453

# NOVUS LED 2000 90CRI

**A FLAT EDGE ARCHITECTURAL DOWNLIGHT AVAILABLE IN FIXED AND ADJUSTABLE FORMATS DELIVERING 1000 AND 2000 LUMENS**

**IP54 - FIXED / IP54 - ADJUSTABLE**



## FEATURES

**Minimalistic Design:** Flat edge trim design, incredibly compact and beautifully designed to blend seamlessly within the architectural environment. Adjustable tilts up to 25° and rotates 355° allowing complete control of the light and quick and simple hot focusing on site. When adjusted our unique offset pivot point allows the beam to be directed without any light loss.

**Clean Beam Design (CBD) with wide optic choices:** NOVUS single point light source design, efficient interchangeable optics and internal detailing of the luminaire have been designed to ensure outstanding control of the beam angle and the cleanliness of the overall lit effect, without stray light or unpleasant imaging.

**Broad choice as standard:** NOVUS has a selection of beam angles with its highly efficient optics and a choice of colour temperatures. NOVUS and AIR downlights are interchangeable and offer a clean straight trim or soft trim to suit the individual design. NOVUS colour rendering is at the highest level with an 80CRI or 90CRI choice. NOVUS trim comes in standard white and black and can also be customised in RAL to any decoration to ensure complete integration into the architecture.

**Complete Glare Control:** Single point light source combined with a deep recessed LED position gives you the ultimate in user comfort and complete glare control. Additional accessories are available in the form of a honeycomb louvre and frosted glass for those applications that need a little more help.

**Installation and mounting:** Installation ring has been designed to ensure a quick first fix installation. The click in reflector allows for simple and rapid first fix installation and removal of the light engine without any hassle.

## GLOBAL APPLICATION

Illuminating areas for hospitality, retail and residential. They are suitable for indoor applications with IP54 and IP20 and for use in ambient temperatures ranging from -20°/+50°C. Providing a level of safeguard when used in extreme and challenging environments.



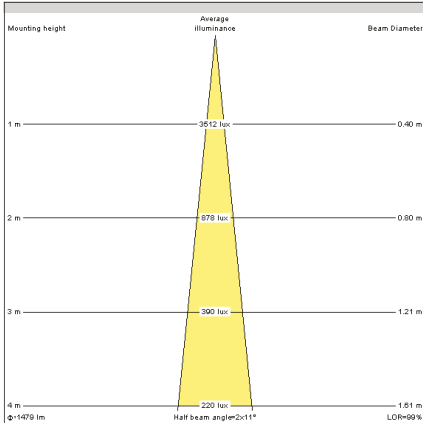




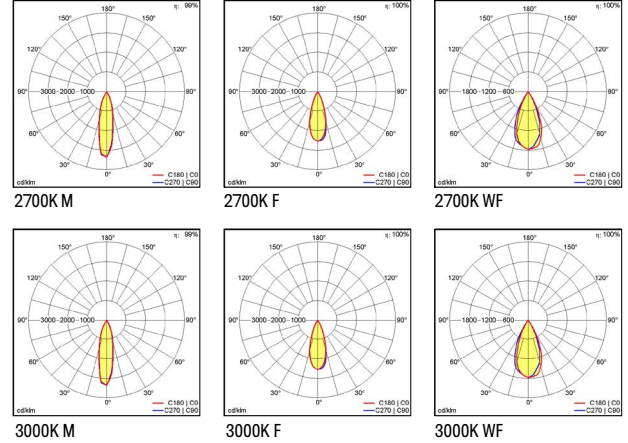
## LIGHT SOURCE INFO

ENGINE TYPE	CRI	OPTIC	COLOUR TEMP (K)	LUMINAIRE LUMEN OUTPUT (lm)	LUMINAIRE LUMENS PER CIRCUIT WATT (lm/cW)	POWER CONSUMPTION, INCLUDING 85% EFFICIENT DRIVER (W)	LIFETIME L70, BASED ON TM-21	COLOUR CONSISTENCY
LED 2000	90	MEDIUM	2700	1479	60.1	24.6	>50,000 HOURS	2 STEP MACADAM ELLIPSE
	90		3000	1801	73.2	24.6		
	90		4000	1864	75.8	24.6		
	90		5000	2006	81.5	24.6		

## CONE DIAGRAM



## POLAR PLOT



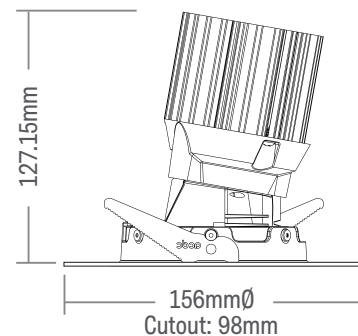
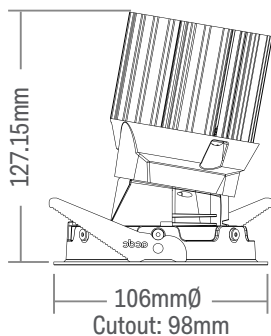
## BUILD YOUR PRODUCT

PRODUCT		LUMEN OUTPUT		COLOUR TEMP (K)		LIGHT ENGINE		OPTICS		TRIM		REFLECTOR		VARIANT		ACCESSORIES		PROTECTION		IP54 ACCESSORY		DRIVERS		
NOVUS	NV	1800	1800	2700K	-927	2000	2K	MEDIUM 25°	M	WHITE	WH	WHITE	WH	FIXED	FD	HONEYCOMB LOUVRE	HL	IP20	20	CLEAR GLASS	CG	SWITCHED	HF	
				3000K	-930			FLOOD 33°	F	BLACK	BK	BLACK	BK	ADJUSTABLE	AJ	FROSTED GLASS	FG	IP54	54	FROSTED GLASS	FG	1-10v	HFA	
				4000K	-940			WIDE FLOOD 45°	WF	*TRIMLESS	TL	SATIN	ST			NONE						DALI	HFX	
				5000K	-950					RAL	RAL	SPECULAR	SP										NONE	NON
												RAL	RAL											

# NOVUS WALLWASH 80CRI

**A FLAT EDGE ARCHITECTURAL DOWNLIGHT AVAILABLE IN FIXED AND ADJUSTABLE FORMATS DELIVERING 1000 AND 2000 LUMENS**

**IP20 - FIXED**



## FEATURES

**Minimalistic Design:** Flat edge trim design, incredibly compact and beautifully designed to blend seamlessly within the architectural environment. Rotates 355° allowing complete control of the light and quick and simple hot focusing on site. When adjusted our unique offset pivot point allows the beam to be directed without any light loss. NOVUS offers a wall wash option with a specially designed two part reflector for a perfect wallwash from the top to the bottom of the chosen surface.

**Clean Beam Design (CBD) with wide optic choices:** NOVUS single point light source design, efficient optics and internal detailing of the luminaire have been designed to ensure outstanding control of the beam angle and the cleanliness of the overall lit effect, without stray light or unpleasant imaging.

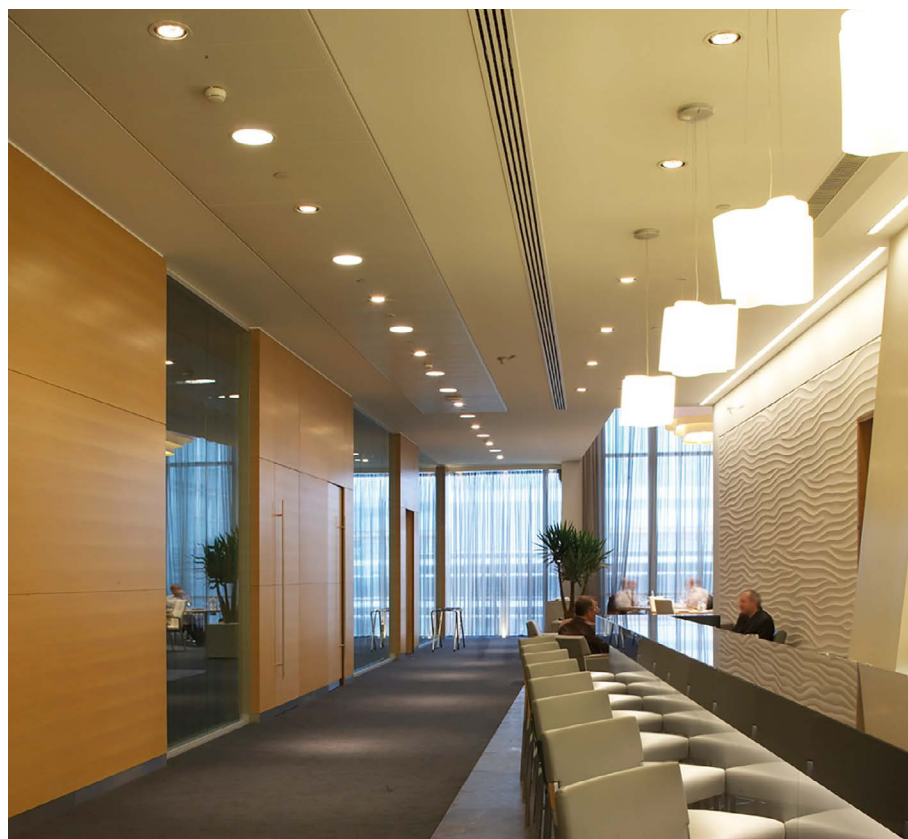
**Broad choice as standard:** NOVUS has a selection of beam angles with its highly efficient optics. The range includes a wallwash variation giving an even lit effect across the whole surface. NOVUS colour rendering is at the highest level with an 80CRI or 90CRI choice. NOVUS trim comes in standard white and black and can also be customised in RAL to any decoration to ensure complete integration into the architecture.

**Complete Glare Control:** Single point light source combined with a deep recessed LED position gives you the ultimate in user comfort and complete glare control.

**Installation and mounting:** Installation ring has been designed to ensure a quick first fix installation. The click in reflector allows for simple and rapid first fix installation and removal of the light engine without any hassle.

## GLOBAL APPLICATION

Illuminating areas for hospitality, retail and residential. They are suitable for indoor applications with IP20. For use in ambient temperatures ranging from -20°/+50°C. Providing a level of safeguard when used in extreme and challenging environments.

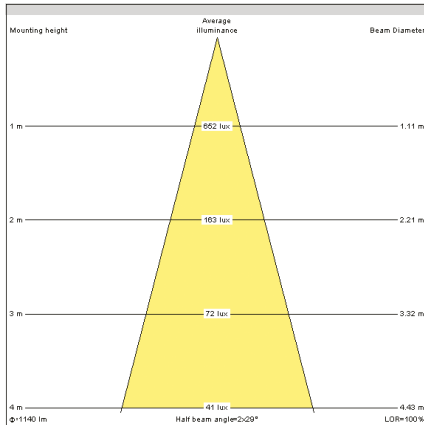




## LIGHT SOURCE INFO

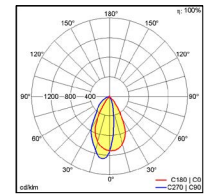
ENGINE TYPE	CRI	OPTIC	COLOUR TEMP (K)	LUMINAIRE LUMEN OUTPUT (lm)	LUMINAIRE LUMENS PER CIRCUIT WATT (lm/cW)	POWER CONSUMPTION, INCLUDING 85% EFFICIENT DRIVER (W)	LIFETIME L70, BASED ON TM-21	COLOUR CONSISTENCY
WALL WASH	80	N/A	2700	1140	46.3	24.6	>50,000 HOURS	2 STEP MACADAM ELLIPSE
	80		3000	1113	45.2	24.6		
	80		4000	1363	55.4	24.6		
	80		5000	1451	59	24.6		

## CONE DIAGRAM



WW

## POLAR PLOT



## BUILD YOUR PRODUCT

PRODUCT		LUMEN OUTPUT		COLOUR TEMP (K)		LIGHT ENGINE		OPTICS		TRIM		VARIANT		PROTECTION		DRIVERS	
NOVUS	NV	2000	2000	2700K	-827	2000	2K	UNCOLLIMATED	U	WHITE	WH	WALLWASH	WW	IP20	20	SWITCHED	HF
				3000K	-830					BLACK	BK					1-10v	HFA
				4000K	-840					*TRIMLESS	TL					DALI	HFX
				5000K	-850					RAL	RAL					NONE	NON
	NV	2000		-827		2K		U		WH		WW		20		HF	

DMX option available to run multiple fittings- order separately

### ACCESSORY

TRIMLESS RING	1853 (NV)
---------------	-----------

\*Trimless ring ordered separately

## FREQUENTLY SPECIFIED

PRODUCT DESCRIPTION	CODE
NV 2000-827 2K NRA BK WW 20 HF	21005530
NV 2000-827 2K NRA WH WW 20 HF	21005527
NV 2000-830 2K NRA WH WW 20 HFA	21005537

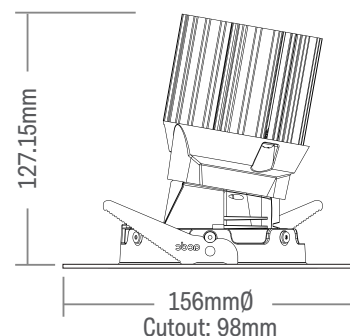
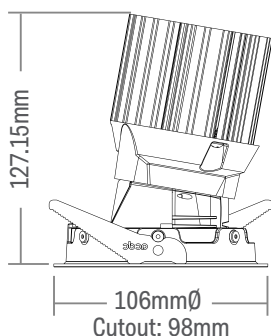
PRODUCT DESCRIPTION	CODE
NV 2000-830 2K NRA BK WW 20 HF	21005540
NV 2000-830 2K NRA TL WW 20 HFA	21005543
NV 2000-827 2K NRA TL WW 20 HFA	21005534



# NOVUS WALLWASH 90CRI

**A FLAT EDGE ARCHITECTURAL DOWNLIGHT AVAILABLE IN FIXED AND ADJUSTABLE FORMATS DELIVERING 1000 AND 2000 LUMENS**

**IP20 - FIXED**



## FEATURES

**Minimalistic Design:** Flat edge trim design, incredibly compact and beautifully designed to blend seamlessly within the architectural environment. Rotates 355° allowing complete control of the light and quick and simple hot focusing on site. When adjusted our unique offset pivot point allows the beam to be directed without any light loss. NOVUS offers a wall wash option with a specially designed two part reflector for a perfect wallwash from the top to the bottom of the chosen surface.

**Clean Beam Design (CBD) with wide optic choices:** NOVUS single point light source design, efficient optics and internal detailing of the luminaire have been designed to ensure outstanding control of the beam angle and the cleanliness of the overall lit effect, without stray light or unpleasant imaging.

**Broad choice as standard:** NOVUS has a selection of beam angles with its highly efficient optics. The range includes a wallwash variation giving an even lit effect across the whole surface. NOVUS colour rendering is at the highest level with an 80CRI or 90CRI choice. NOVUS trim comes in standard white and black and can also be customised in RAL to any decoration to ensure complete integration into the architecture.

**Complete Glare Control:** Single point light source combined with a deep recessed LED position gives you the ultimate in user comfort and complete glare control.

**Installation and mounting:** Installation ring has been designed to ensure a quick first fix installation. The click in reflector allows for simple and rapid first fix installation and removal of the light engine without any hassle.

## GLOBAL APPLICATION

Illuminating areas for hospitality, retail and residential. They are suitable for indoor applications with IP20. For use in ambient temperatures ranging from -20°/+50°C. Providing a level of safeguard when used in extreme and challenging environments.

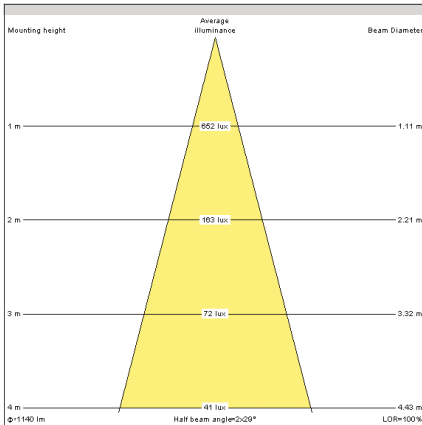




## LIGHT SOURCE INFO

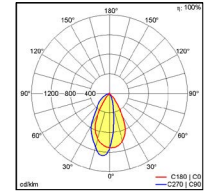
ENGINE TYPE	CRI	OPTIC	COLOUR TEMP (K)	LUMINAIRE LUMEN OUTPUT (lm)	LUMINAIRE LUMENS PER CIRCUIT WATT (lm/cW)	POWER CONSUMPTION, INCLUDING 85% EFFICIENT DRIVER (W)	LIFETIME L70, BASED ON TM-21	COLOUR CONSISTENCY
WALL WASH	90	N/A	2700	924	37.6	24.6	>50,000 HOURS	2 STEP MACADAM ELLIPSE
	90		3000	964	39.2	24.6		
	90		4000	1180	48	24.6		
	90		5000	1353	55	24.6		

## CONE DIAGRAM



WW

## POLAR PLOT



## BUILD YOUR PRODUCT

PRODUCT		LUMEN OUTPUT		COLOUR TEMP (K)		LIGHT ENGINE		OPTICS		TRIM		VARIANT		PROTECTION		DRIVERS	
NOVUS	NV	1800	1800	2700K	-927	2000	2K	UNCOLLIMATED	U	WHITE	WH	WALLWASH	WW	IP20	20	SWITCHED	HF
				3000K	-930					BLACK	BK					1-10v	HFA
				4000K	-940					*TRIMLESS	TL					DALI	HFX
				5000K	-950					RAL	RAL					NONE	N
	NV		1800		-927		2K		U		WH		WW		20		HF

DMX option available to run multiple fittings- order separately

### ACCESSORY

TRIMLESS RING	1853 (NV)
---------------	-----------

\*Trimless ring ordered separately

## FREQUENTLY SPECIFIED

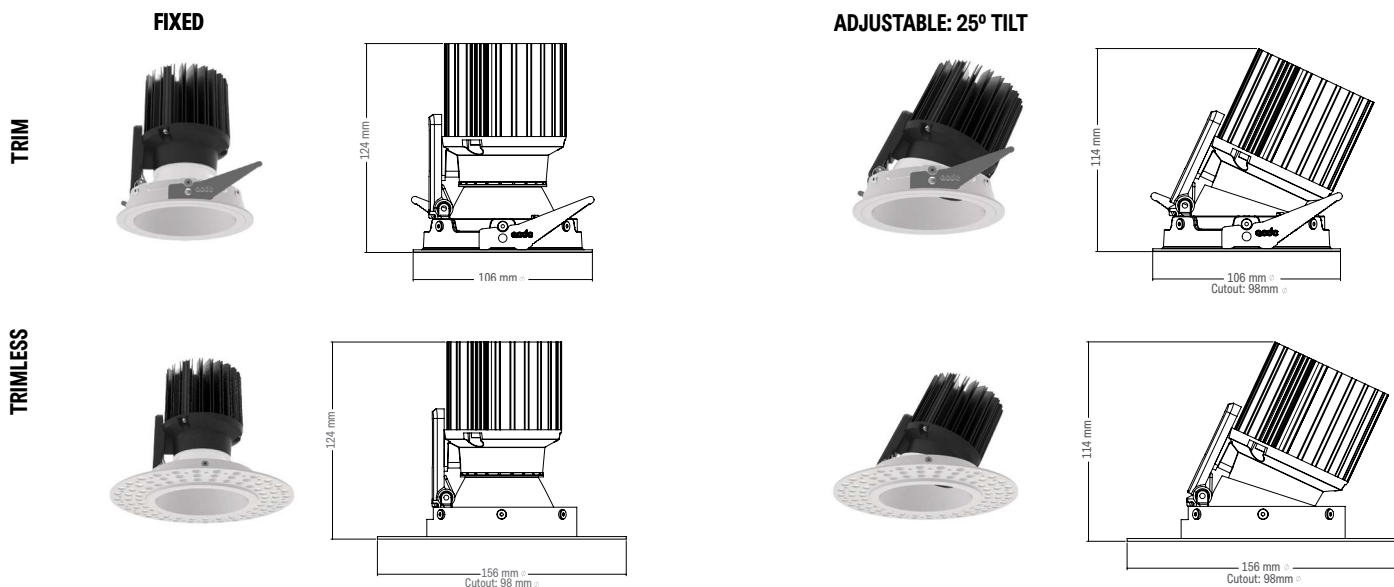
PRODUCT DESCRIPTION	CODE
NV 1800-927 2K NRA BK WW 20 HF	21005548
NV 1800-927 2K NRA WH WW 20 HF	21005545
NV 1800-930 2K NRA WH WW 20 HFA	21005555

PRODUCT DESCRIPTION	CODE
NV 1800-930 2K NRA BK WW 20 HFX	21005559
NV 1800-930 2K NRA TL WW 20 HFA	21005561
NV 1800-930 2K NRA TL WW 20 HFX	21005562

# NOVUS WARM ZERO

**A FLAT EDGE ARCHITECTURAL DOWNLIGHT AVAILABLE IN FIXED AND ADJUSTABLE FORMATS DELIVERING 1000 AND 2000 LUMENS**

**IP54 - FIXED / IP20 - ADJUSTABLE**



## FEATURES

**Minimalistic Design:** Flat edge trim design, incredibly compact and beautifully designed to blend seamlessly within the architectural environment. Adjustable tilts up to 25° and rotates 355° allowing complete control of the light and quick and simple hot focusing on site. When adjusted our unique offset pivot point allows the beam to be directed without any light loss.

**Clean Beam Design (CBD) with wide optic choices:** NOVUS single point light source design, efficient interchangeable optics and internal detailing of the luminaire have been designed to ensure outstanding control of the beam angle and the cleanliness of the overall lit effect, without stray light or unpleasant imaging.

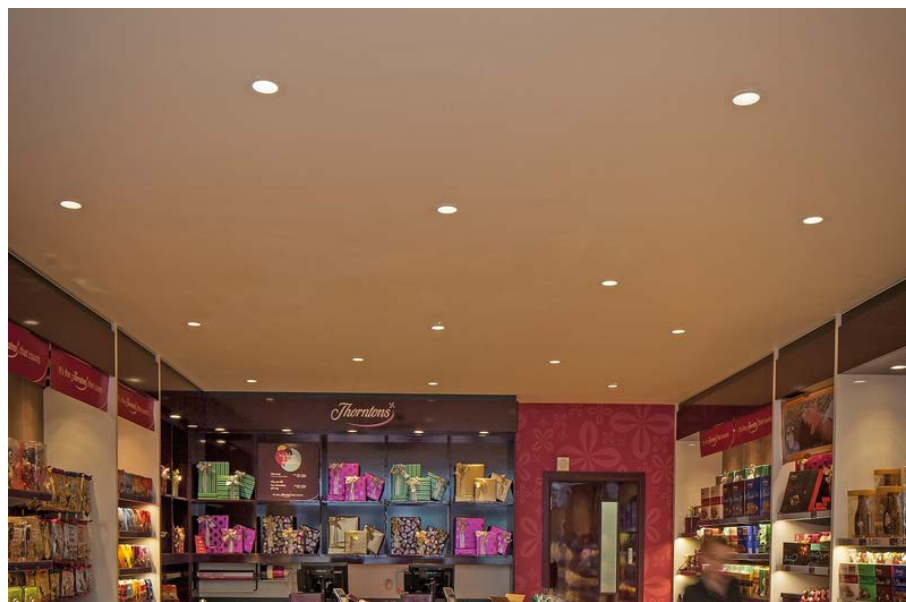
**Broad choice as standard:** NOVUS has a selection of beam angles with its highly efficient optics and a variety of colour temperatures including Warm Zero which mimics halogen dimming increasing the warmth as the product is dimmed to zero from 1800K to 2700K. NOVUS and AIR downlights are interchangeable and offer a clean straight trim or soft trim to suit the individual design. NOVUS colour rendering is at the highest level with an 80CRI or 90CRI choice. NOVUS trim comes in standard white and black and can also be customised in RAL to any decoration to ensure complete integration into the architecture.

**Complete Glare Control:** Single point light source combined with a deep recessed LED position gives you the ultimate in user comfort and complete glare control. Built-in is a frosted glass lens for those applications that need a little more help.

**Installation and mounting:** Installation ring has been designed to ensure a quick first fix installation. The click in reflector allows for simple and rapid first fix installation and removal of the light engine without any hassle.

## GLOBAL APPLICATION

Illuminating areas for hospitality, retail and residential. They are suitable for indoor applications with IP54 and IP20 and for use in ambient temperatures ranging from -20°/+50°C. Providing a level of safeguard when used in extreme and challenging environments.







## LIGHT SOURCE INFO

ENGINE TYPE	CRI	OPTIC	COLOUR TEMP (K)	LUMINAIRE LUMEN OUTPUT (lm)	LUMINAIRE LUMENS PER CIRCUIT WATT (lm/cW)	POWER CONSUMPTION. INCLUDING 85% EFFICIENT DRIVER (W)	LIFETIME L70. BASED ON TM-21	COLOUR CONSISTENCY
WARM ZERO	94	Flood	2000	27	8.2	3.3	>50,000 HOURS	2 STEP MACADAM ELLIPSE
	95		2500	386	31.4	12.3		
	95		3000	519	34.6	15		

## BUILD YOUR PRODUCT

TRIM		LUMEN OUTPUT		COLOUR TEMP (K)		LIGHT ENGINE		OPTICS		TRIM		REFLECTOR		VARIANT		IP20 ACCESSORY		PROTECTION		IP54 ACCESSORY		DRIVERS	
NOVUS	NV	500	500	18K-27K	-WZ	WZ	WZ	FLOOD 33°	F	WHITE	WH	WHITE	WH	FIXED	FD	FROSTED GLASS	FG	IP20	20	FROSTED GLASS	FG	1-10v	HFA
								WIDE FLOOD 45°	WF	BLACK	BK	BLACK	BK	ADJUSTABLE	AJ			IP54	54			PHASE	LPC
										*TRIMLESS	TL	SATIN	ST									DALI	HFX
										RAL	RAL	SPECULAR	SP									NONE	NON
											RAL	RAL											HFA

DMX option available to run multiple fittings- order separately

### ACCESSORY

TRIMLESS RING	1853 (NV)
---------------	-----------

\*Trimless ring ordered separately

## FREQUENTLY SPECIFIED

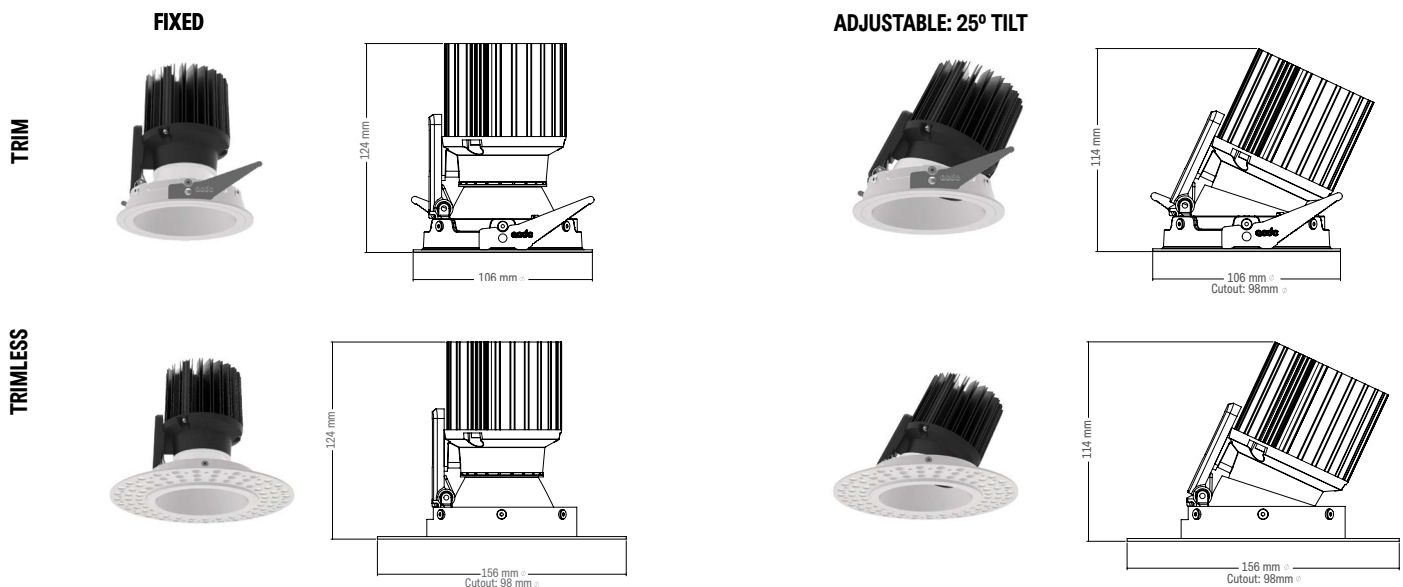
PRODUCT DESCRIPTION	CODE
NV 500-WZ WZ F WH WH FD FG 20 HFA	21005627
NV 500-WZ WZ WF WH WH AJ FG 20 HFX	21005654
NV 500-WZ WZ F BK BK FD FG 20 HFA	21005633

PRODUCT DESCRIPTION	CODE
NV 500-WZ WZ WF WH WH AJ FG 20 HFX	21005654
NV 500-WZ WZ WF BK BK FD 54 FG HFA	21005647
NV 500-WZ WZ F WH WH FD 54 FG HFX	21005640

# NOVUS DYNAMIC WHITE

**A FLAT EDGE ARCHITECTURAL DOWNLIGHT AVAILABLE IN FIXED AND ADJUSTABLE FORMATS DELIVERING 1000 AND 2000 LUMENS**

**IP54 - FIXED / IP20 - ADJUSTABLE**



## FEATURES

**Minimalistic Design:** Flat edge trim design, incredibly compact and beautifully designed to blend seamlessly within the architectural environment. Adjustable tilts up to 25° and rotates 355° allowing complete control of the light and quick and simple hot focusing on site. When adjusted our unique offset pivot point allows the beam to be directed without any light loss.

**Clean Beam Design (CBD) with wide optic choices:** NOVUS single point light source design, efficient interchangeable optics and internal detailing of the luminaire have been designed to ensure outstanding control of the beam angle and the cleanliness of the overall lit effect, without stray light or unpleasant imaging.

**Broad choice as standard:** NOVUS has a selection of beam angles with its highly efficient optics and a variety of colour temperatures including a Dynamic White module allowing for the colour to be tuned to specific colour temperature 2700K to 6500K. NOVUS and AIR and downlights are interchangeable and offer a clean straight or soft trim to suit the individual design. NOVUS colour rendering is at the highest level with an 80CRI or 90CRI choice. NOVUS trim comes in standard white and black and can also be customised in RAL to any decoration to ensure complete integration into the architecture.

**Complete Glare Control:** Single point light source combined with a deep recessed LED position gives you the ultimate in user comfort and complete glare control. Additional accessories are available in the form of a frosted glass lens for those applications that need a little more help.

**Installation and mounting:** Installation ring has been designed to ensure a quick first fix installation. The click in reflector allows for simple and rapid first fix installation and removal of the light engine without any hassle.

## GLOBAL APPLICATION

Illuminating areas for hospitality, retail and residential. They are suitable for indoor applications with IP54 and IP20 and for use in ambient temperatures ranging from -20°/+50°C. Providing a level of safeguard when used in extreme and challenging environments.





## LIGHT SOURCE INFO

ENGINE TYPE	CRI	OPTIC	COLOUR TEMP (K)	LUMINAIRE LUMEN OUTPUT (lm)	LUMINAIRE LUMENS PER CIRCUIT WATT (lm/cW)	POWER CONSUMPTION, INCLUDING 85% EFFICIENT DRIVER (W)	LIFETIME L70, BASED ON TM-21	COLOUR CONSISTENCY
DYNAMIC WHITE	85	Flood	2700	655	55	11.9	>50,000 HOURS	2 STEP MACADAM ELLIPSE
	89		4200	1360	61.3	22.2		
	85		6500	773	59	13.1		

## BUILD YOUR PRODUCT

PRODUCT		LUMEN OUTPUT		COLOUR TEMP		LIGHT ENGINE		OPTICS		TRIM		REFLECTOR		VARIANT		IP20 ACCESSORY		PROTECTION		IP54 ACCESSORY	
NOVUS	NV	1300	1300	27K-65K	DW	DW	DW	FLOOD 33°	F	WHITE	WH	WHITE	WH	FIXED	FD	FROSTED GLASS	FG	IP20	20	FROSTED GLASS	FG
								WIDE FLOOD 45°	WF	BLACK	BK	BLACK	BK	ADJUSTABLE	AJ			IP54	54		
										RAL	RAL	RAL	RAL	NONE							
										*TRIMLESS	TL	SATIN	ST								
												SPECULAR	SP								
	NV		1300		-DW		DW		F		WH		WH		FXD		FG		CG		FG

Order driver separately acdc1900/E50/350/50W/DALI/DUAL/IP20

### ACCESSORY

TRIMLESS RING	1853 (NV)
---------------	-----------

\*Trimless ring ordered separately

## FREQUENTLY SPECIFIED

PRODUCT DESCRIPTION	CODE
NV 1300-DW DW F BK BK AJ 20 FG NON	21005665
NV 1300-DW DW F WH WH AJ 20 FG NON	21005663
NV 1300-DW DW F WH WH AJ FG 20 NON	21005655

PRODUCT DESCRIPTION	CODE
NV 1300-DW DW WF BK BK AJ FG 20 NON	21005662
NV 1300-DW DW WF WH WH FD FG 20 NON	21005632
NV 1300-DW DW WF BK BK FD 54 FG NON	21005650







# NOVUS MINI

## GET IN THE MOOD

NOVUS MINI is NOVUS' smaller relative and together they use the power of light to enhance our everyday experiences.

Just like NOVUS they help us be productive and live our lives to the full (just in miniature).

NOVUS creates experiences for us to identify and engage with.

[102. LED 600](#)

[106. NARROW BEAM](#)

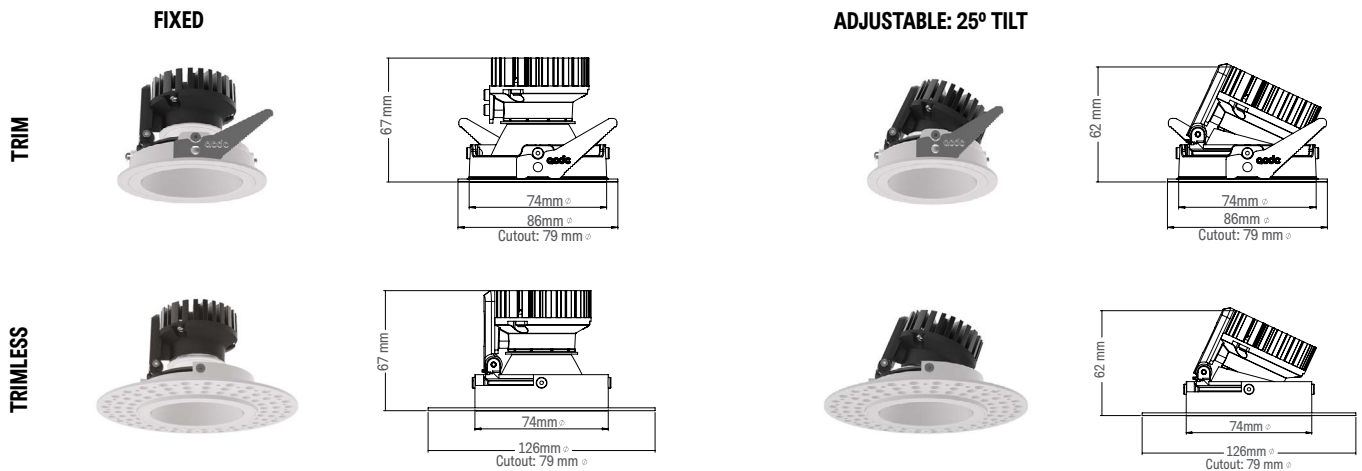
[110. LED 1000](#)

[114. WARMZERO](#)

# NOVUS MINI LED 600 80CRI

**A FLAT EDGE MINIATURE ARCHITECTURAL DOWNLIGHT AVAILABLE IN FIXED AND ADJUSTABLE FORMATS DELIVERING 600 AND 1000 LUMENS**

**IP54 - FIXED / IP20 - ADJUSTABLE**



## FEATURES

**Minimalistic Design:** Flat edge trim design, incredibly compact and beautifully designed to blend seamlessly within the architectural environment. Adjustable tilts up to 25° and rotates 355° allowing complete control of the light and quick and simple hot focusing on site. Click in place reflector for simple and rapid installation. When adjusted our unique offset pivot point allows the beam to be directed without any light loss.

**Clean Beam Design (CBD) with wide optic choices:** NOVUS MINI's single point light source design, efficient interchangeable optics and internal detailing of the luminaire have been engineered to ensure outstanding control of the beam angle and the cleanliness of the overall lit effect, without stray light or unpleasant imaging.

**Broad choice as standard:** NOVUS MINI has a selection of beam angles with its highly efficient optics and a variety of colour temperatures. NOVUS MINI and AIR MINI downlights are interchangeable and offer a clean straight trim or soft trim to suit the individual design. NOVUS MINI colour rendering is at the highest level with an 80CRI or 90CRI choice.

**Complete Glare Control:** Single point light source combined with a deep recessed LED position gives you the ultimate in user comfort and complete glare control. Additional accessories are available in the form of a honeycomb louvre and frosted glass for those applications that need a little more help.

**Installation and mounting:** Installation ring has been designed to ensure a quick first fix installation. The click in reflector allows for the removal of the light engine without any hassle.

## GLOBAL APPLICATION

Illuminating areas for hospitality, retail and residential. They are suitable for indoor applications with IP54 and IP20 and for use in ambient temperatures ranging from -20°/+50°C. Providing a level of safeguard when used in extreme and challenging environments.



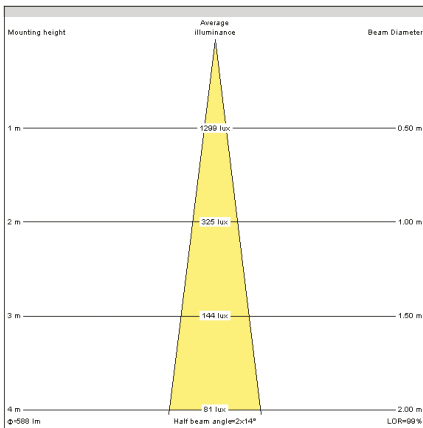




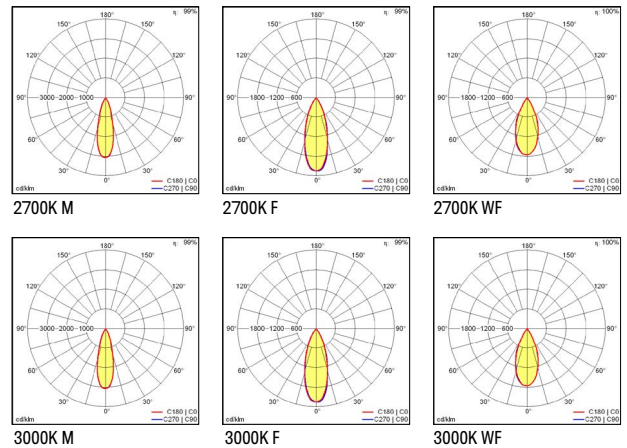
## LIGHT SOURCE INFO

ENGINE TYPE	CRI	OPTIC	COLOUR TEMP (K)	LUMINAIRE LUMEN OUTPUT (lm)	LUMINAIRE LUMENS PER CIRCUIT WATT (lm/cW)	POWER CONSUMPTION, INCLUDING 85% EFFICIENT DRIVER (W)	LIFETIME L70, BASED ON TM-21	COLOUR CONSISTENCY
LED600	80	MEDIUM	2700	588	84.0	7	>50,000 HOURS	2 STEP MACADAM ELLIPSE
	80		3000	675	96.4	7		
	80		4000	695	99.3	7		
	80		5000	728	104	7		

## CONE DIAGRAM



## POLAR PLOT



## BUILD YOUR PRODUCT

PRODUCT		LUMEN OUTPUT		COLOUR TEMP		LIGHT ENGINE		OPTICS		TRIM		REFLECTOR		VARIANT		ACCESSORIES		PROTECTION		IP54 ACCESSORY		DRIVER							
NOVUS MINI	NVM	700	700	2700K	-827	600	6C	MEDIUM 25°	M	WHITE	WH	WHITE	WH	FIXED	FD	HONEYCOMB LOUVRE	HL	IP20	20	CLEAR GLASS	CG	SWITCHED	HF						
				3000K	-830			FLOOD 33°	F	BLACK	BK	BLACK	BK			ADJUSTABLE	AJ	FROSTED GLASS	FG	IP54	54	FROSTED GLASS	FG	1-10V	HFA				
				4000K	-840			WIDE FLOOD 45°	WF	RAL	RAL	RAL	RAL			NONE												PHASE	LPC
				5000K	-850					*TRIMLESS	TL	SATIN	ST															DALI	HFX

DMX option available to run multiple fittings- order separately

### ACCESSORY

TRIMLESS RING	1854
---------------	------

\*Trimless ring ordered separately

## NOVUS MINI EXTRAS



**HONEYCOMB LOUVRE**  
(included in fitting. Can be ordered as separate engine accessory.)



**FROSTED GLASS**  
(included in fitting. Can be ordered as separate engine accessory.)

## FREQUENTLY SPECIFIED

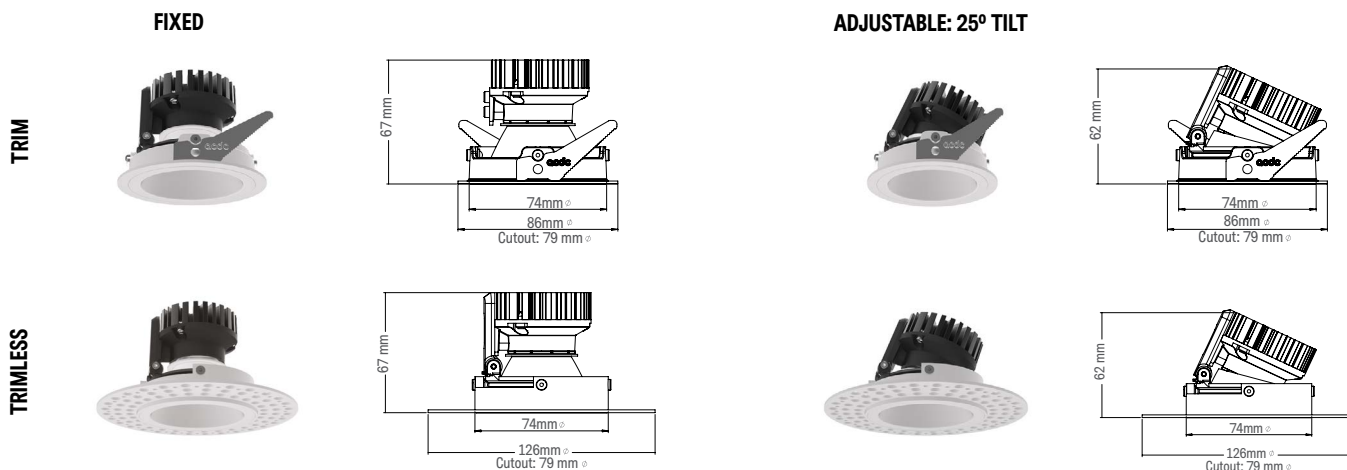
PRODUCT DESCRIPTION	CODE
NVM 700-827 6C F WH WH AJ 20 HF	21003647
NVM 700-827 6C F BK BK AJ 20 HF	21003663
NVM 700-827 6C M WH WH FD HL 20 HFX	21008085

PRODUCT DESCRIPTION	CODE
NVM 700-830 6C F WH WH FD 20 LPC	21003673
NVM 700-830 6C M WH WH AJ 20 HF	21001933
NVM 700-830 6C F BK BK AJ 20 HF	21003665

# NOVUS MINI LED 600 90CRI

**A FLAT EDGE MINIATURE ARCHITECTURAL DOWNLIGHT AVAILABLE IN FIXED AND ADJUSTABLE FORMATS DELIVERING 600 AND 1000 LUMENS**

**IP54 - FIXED / IP20 - ADJUSTABLE**



## FEATURES

**Minimalistic Design:** Flat edge trim design, incredibly compact and beautifully designed to blend seamlessly within the architectural environment. Adjustable tilts up to 25° and rotates 355° allowing complete control of the light and quick and simple hot focusing on site. Click in place reflector for simple and rapid installation. When adjusted our unique offset pivot point allows the beam to be directed without any light loss.

**Clean Beam Design (CBD) with wide optic choices:** NOVUS MINI's single point light source design, efficient interchangeable optics and internal detailing of the luminaire have been engineered to ensure outstanding control of the beam angle and the cleanliness of the overall lit effect, without stray light or unpleasant imaging.

**Broad choice as standard:** NOVUS MINI has a selection of beam angles with its highly efficient optics and a variety of colour temperatures. NOVUS MINI and AIR MINI downlights are interchangeable and offer a clean straight trim or soft trim to suit the individual design. NOVUS MINI colour rendering is at the highest level with an 80CRI or 90CRI choice.

**Complete Glare Control:** Single point light source combined with a deep recessed LED position gives you the ultimate in user comfort and complete glare control. Additional accessories are available in the form of a honeycomb louvre and frosted glass for those applications that need a little more help.

**Installation and mounting:** Installation ring has been designed to ensure a quick first fix installation. The click in reflector allows for the removal of the light engine without any hassle.

## GLOBAL APPLICATION

Illuminating areas for hospitality, retail and residential. They are suitable for indoor applications with IP54 and IP20 and for use in ambient temperatures ranging from -20°/+50°C. Providing a level of safeguard when used in extreme and challenging environments.

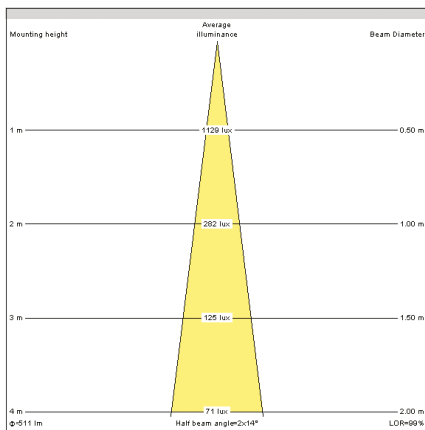




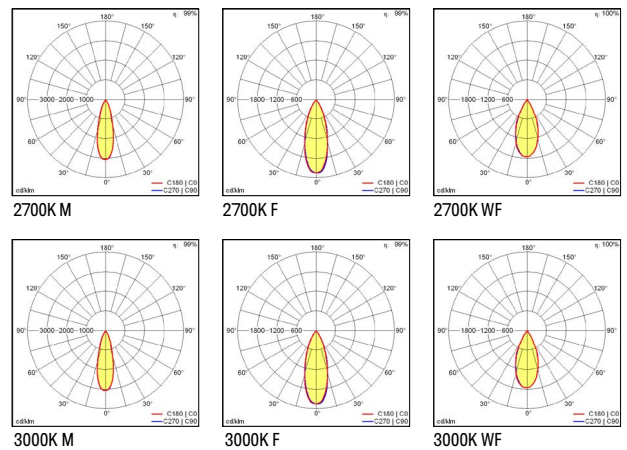
## LIGHT SOURCE INFO

ENGINE TYPE	CRI	OPTIC	COLOUR TEMP (K)	LUMINAIRE LUMEN OUTPUT (lm)	LUMINAIRE LUMENS PER CIRCUIT WATT (lm/cW)	POWER CONSUMPTION, INCLUDING 85% EFFICIENT DRIVER (W)	LIFETIME L70, BASED ON TM-21	COLOUR CONSISTENCY
LED 600	90	MEDIUM	2700	511	73	7	>50,000 HOURS	2 STEP MACADAM ELLIPSE
	90		3000	586	83.7	7		
	90		4000	603	86.1	7		
	90		5000	632	90.3	7		

## CONE DIAGRAM



## POLAR PLOT



## BUILD YOUR PRODUCT

PRODUCT		LUMEN OUTPUT		COLOUR TEMP		LIGHT ENGINE		OPTICS		TRIM		REFLECTOR		VARIANT		ACCESSORIES		PROTECTION		IP54 ACCESSORY		DRIVER			
NOVUS MINI	NVM	600	600	2700K	-927	600	6C	MEDIUM 25°	M	WHITE	WH	WHITE	WH	FIXED	FD	HONEYCOMB LOUVRE	HL	IP20	20	CLEAR GLASS	CG	SWITCHED	HF		
				3000K	-930			FLOOD 33°	F	BLACK	BK	BLACK	BK	ADJUSTABLE	AJ	FROSTED GLASS	FG	IP54	54	FROSTED GLASS	FG	1-10V	HFA		
				4000K	-940			WIDE FLOOD 45°	WF	RAL	RAL	RAL	RAL			NONE								PHASE	LPC
				5000K	-950					*TRIMLESS	TL	SATIN	ST												DALI
												SPECULAR	SP										NONE	NON	

DMX option available to run multiple fittings- order separately

### ACCESSORY

TRIMLESS RING	1854
---------------	------

\*Trimless ring ordered separately

## NOVUS MINI EXTRAS



**HONEYCOMB LOUVRE**  
(included in fitting. Can be ordered as separate engine accessory.)



**FROSTED GLASS**  
(included in fitting. Can be ordered as separate engine accessory.)

## FREQUENTLY SPECIFIED

PRODUCT DESCRIPTION	CODE
NVM 600-930 6C F WH WH FD 20 HF	21003646
NVM 600-930 6C M BK BK AJ 20 HFA	21002245
NVM 600-930 6C M WH WH AJ 20 HFA	21002055

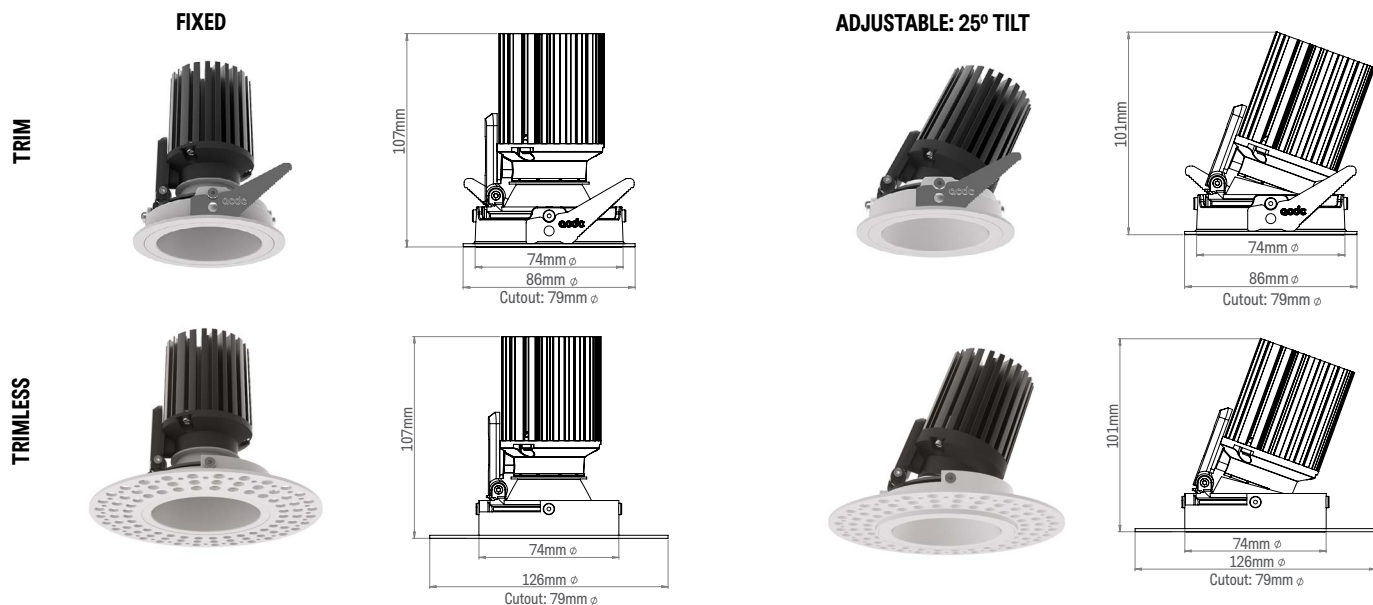
PRODUCT DESCRIPTION	CODE
NVM 600-927 6C F WH WH AJ 20 HFX	21008523
NVM 600-927 6C WF WH WH FD 20 HFA	21002044
NVM 600-927 NB N WH WH FD 20 HF	21001938



# NOVUS MINI NB 600 80CRI

**A FLAT EDGE MINIATURE ARCHITECTURAL DOWNLIGHT AVAILABLE IN FIXED AND ADJUSTABLE FORMATS DELIVERING 600 AND 1000 LUMENS**

**IP54 - FIXED / IP20 - ADJUSTABLE**



## FEATURES

**Minimalistic Design:** Flat edge trim design, incredibly compact and beautifully designed to blend seamlessly within the architectural environment. Adjustable tilts up to 25° and rotates 355° allowing complete control of the light and quick and simple hot focusing on site. Click in place reflector for simple and rapid installation. When adjusted our unique offset pivot point allows the beam to be directed without any light loss.

**Clean Beam Design (CBD) with wide optic choices:** NOVUS MINI's single point light source design, efficient interchangeable optics and internal detailing of the luminaire have been engineered to ensure outstanding control of the beam angle and the cleanliness of the overall lit effect, without stray light or unpleasant imaging.

**Broad choice as standard:** NOVUS MINI has a selection of beam angles with its highly efficient optics. A Narrow Beam option is available with a variety of colour temperatures. NOVUS MINI and AIR MINI downlights are interchangeable and offer a clean straight trim or soft trim to suit the individual design. NOVUS MINI colour rendering is at the highest level with an 80CRI or 90CRI choice.

**Complete Glare Control:** Single point light source combined with a deep recessed LED position gives you the ultimate in user comfort and complete glare control. Additional accessories are available in the form of a honeycomb louvre and frosted glass for those applications that need a little more help.

**Installation and mounting:** Installation ring has been designed to ensure a quick first fix installation. The click in reflector allows for the removal of the light engine without any hassle.

## GLOBAL APPLICATION

Illuminating areas for hospitality, retail and residential. They are suitable for indoor applications with IP54 and IP20 and for use in ambient temperatures ranging from -20°/+50°C. Providing a level of safeguard when used in extreme and challenging environments.

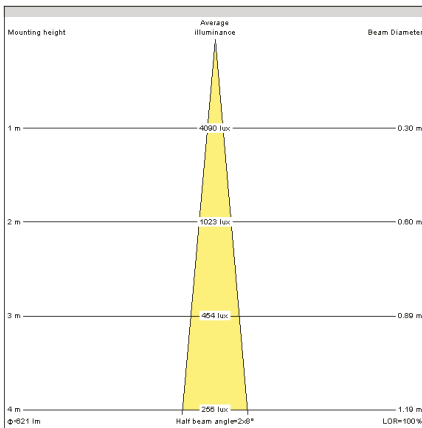




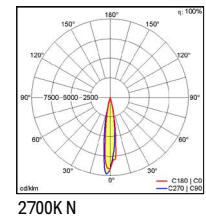
## LIGHT SOURCE INFO

ENGINE TYPE	CRI	OPTIC	COLOUR TEMP (K)	LUMINAIRE LUMEN OUTPUT (lm)	LUMINAIRE LUMENS PER CIRCUIT WATT (lm/cW)	POWER CONSUMPTION, INCLUDING 85% EFFICIENT DRIVER (W)	LIFETIME L70, BASED ON TM-21	COLOUR CONSISTENCY
NB600	80	NARROW	2700	635	39.2	16.2	>50,000 HOURS	2 STEP MACADAM ELLIPSE
	80		3000	676	41.7	16.2		
	80		4000	759	46.9	16.2		
	80		5000	773	47.7	16.2		

## CONE DIAGRAM



## POLAR PLOT



## BUILD YOUR PRODUCT

PRODUCT		LUMEN OUTPUT		COLOUR TEMPERATURE		LIGHT ENGINE		OPTICS		TRIM		REFLECTOR		VARIANT		ACCESSORIES		PROTECTION		IP54 ACCESSORY		DRIVER	
NOVUS MINI	NVM	700	700	2700K	-827	NB	NB	NARROW 12°	N	WHITE	WH	WHITE	WH	FIXED	FD	HONEYCOMB LOUVRE	HL	IP20	20	CLEAR GLASS	CG	SWITCHED	HF
				3000K	-830					BLACK	BK	BLACK	BK	ADJUSTABLE	AJ	FROSTED GLASS	FG	IP54	54	FROSTED GLASS	FG	1-10V	HFA
				4000K	-840					RAL	RAL	RAL	RAL			NONE						PHASE	LPC
				5000K	-850					*TRIMLESS	TL	SATIN	ST									DALI	HFX
												SPECULAR	SP									NONE	NON
	NVM		700		-827		NB		N		WH		WH		FD		HL		20		CG		HF

DMX option available to run multiple fittings- order separately

### ACCESSORY

TRIMLESS RING	1854
---------------	------

\*Trimless ring ordered separately

## NOVUS MINI EXTRAS



**HONEYCOMB LOUVRE**  
(included in fitting. Can be ordered as separate engine accessory.)



**FROSTED GLASS**  
(included in fitting. Can be ordered as separate engine accessory.)

## FREQUENTLY SPECIFIED

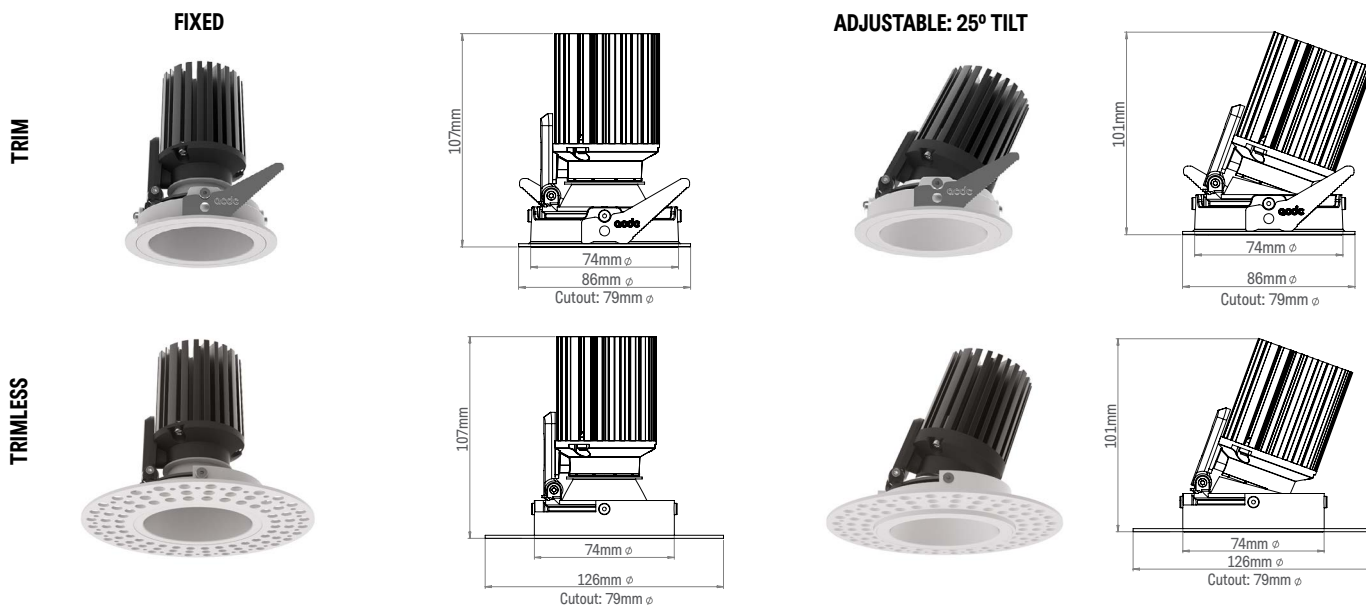
PRODUCT DESCRIPTION	CODE
NVM 700-827 NB N WH WH AJ 20 HF	21001949
NVM 700-827 NB N BK BK AJ 20 HF	21002109
NVM 700-827 NB N WH WH FD 20 HFX	21008659

PRODUCT DESCRIPTION	CODE
NVM 700-830 NB N WH WH FD 20 HFX	21008663
NVM 700-830 NB N BK BK FD 20 LPC	21002455
NVM 700-830 NB N TL WH FD HL 20 HFX	21008694

# NOVUS MINI NB 600 90CRI

**A FLAT EDGE MINIATURE ARCHITECTURAL DOWNLIGHT AVAILABLE IN FIXED AND ADJUSTABLE FORMATS DELIVERING 600 AND 1000 LUMENS**

**IP54 - FIXED / IP20 - ADJUSTABLE**



## FEATURES

**Minimalistic Design:** Flat edge trim design, incredibly compact and beautifully designed to blend seamlessly within the architectural environment. Adjustable tilts up to 25° and rotates 355° allowing complete control of the light and quick and simple hot focusing on site. Click in place reflector for simple and rapid installation. When adjusted our unique offset pivot point allows the beam to be directed without any light loss.

**Clean Beam Design (CBD) with wide optic choices:** NOVUS MINI's single point light source design, efficient interchangeable optics and internal detailing of the luminaire have been engineered to ensure outstanding control of the beam angle and the cleanliness of the overall lit effect, without stray light or unpleasant imaging.

**Broad choice as standard:** NOVUS MINI has a selection of beam angles with its highly efficient optics. A Narrow Beam option is available with a variety of colour temperatures. NOVUS MINI and AIR MINI downlights are interchangeable and offer a clean straight trim or soft trim to suit the individual design. NOVUS MINI colour rendering is at the highest level with an 80CRI or 90CRI choice.

**Complete Glare Control:** Single point light source combined with a deep recessed LED position gives you the ultimate in user comfort and complete glare control. Additional accessories are available in the form of a honeycomb louvre and frosted glass for those applications that need a little more help.

**Installation and mounting:** Installation ring has been designed to ensure a quick first fix installation. The click in reflector allows for the removal of the light engine without any hassle.

## GLOBAL APPLICATION

Illuminating areas for hospitality, retail and residential. They are suitable for indoor applications with IP54 and IP20 and for use in ambient temperatures ranging from -20°/+50°C. Providing a level of safeguard when used in extreme and challenging environments.



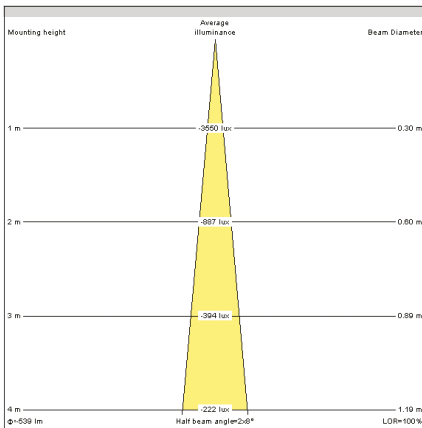




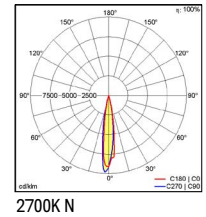
## LIGHT SOURCE INFO

ENGINE TYPE	CRI	OPTIC	COLOUR TEMP (K)	LUMINAIRE LUMEN OUTPUT (lm)	LUMINAIRE LUMENS PER CIRCUIT WATT (lm/cW)	POWER CONSUMPTION, INCLUDING 85% EFFICIENT DRIVER (W)	LIFETIME L70, BASED ON TM-21	COLOUR CONSISTENCY
NB600	90	NARROW	2700	551	34	16.2	>50,000 HOURS	2 STEP MACADAM ELLIPSE
	90		3000	587	36.2	16.2		
	90		4000	659	40.7	16.2		
	90		5000	671	41.4	16.2		

## CONE DIAGRAM



## POLAR PLOT



## BUILD YOUR PRODUCT

PRODUCT		LUMEN OUTPUT		COLOUR TEMPERATURE		LIGHT ENGINE		OPTICS		TRIM		REFLECTOR		VARIANT		ACCESSORIES		PROTECTION		IP54 ACCESSORY		DRIVER	
NOVUS MINI	NVM	600	600	2700K	-927	NB	NB	NARROW 12°	N	WHITE	WH	WHITE	WH	FIXED	FD	HONEYCOMB LOUVRE	HL	IP20	20	CLEAR GLASS	CG	SWITCHED	HF
				3000K	-930					BLACK	BK	BLACK	BK	ADJUSTABLE	AJ	FROSTED GLASS	FG	IP54	54	FROSTED GLASS	FG	1-10V	HFA
				4000K	-940					RAL	RAL	RAL	RAL			NONE						PHASE	LPC
				5000K	-950					*TRIMLESS	TL	SATIN	ST									DALI	HFX
												SPECULAR	SP									NONE	NON
	NVM		600		-927		NB		N		WH		WH		FD		HL		20		CG		HF

DMX option available to run multiple fittings- order separately

### ACCESSORY

TRIMLESS RING	1854
---------------	------

\*Trimless ring ordered separately

## NOVUS MINI EXTRAS



**HONEYCOMB LOUVRE**  
(included in fitting. Can be ordered as separate engine accessory.)



**FROSTED GLASS**  
(included in fitting. Can be ordered as separate engine accessory.)

## FREQUENTLY SPECIFIED

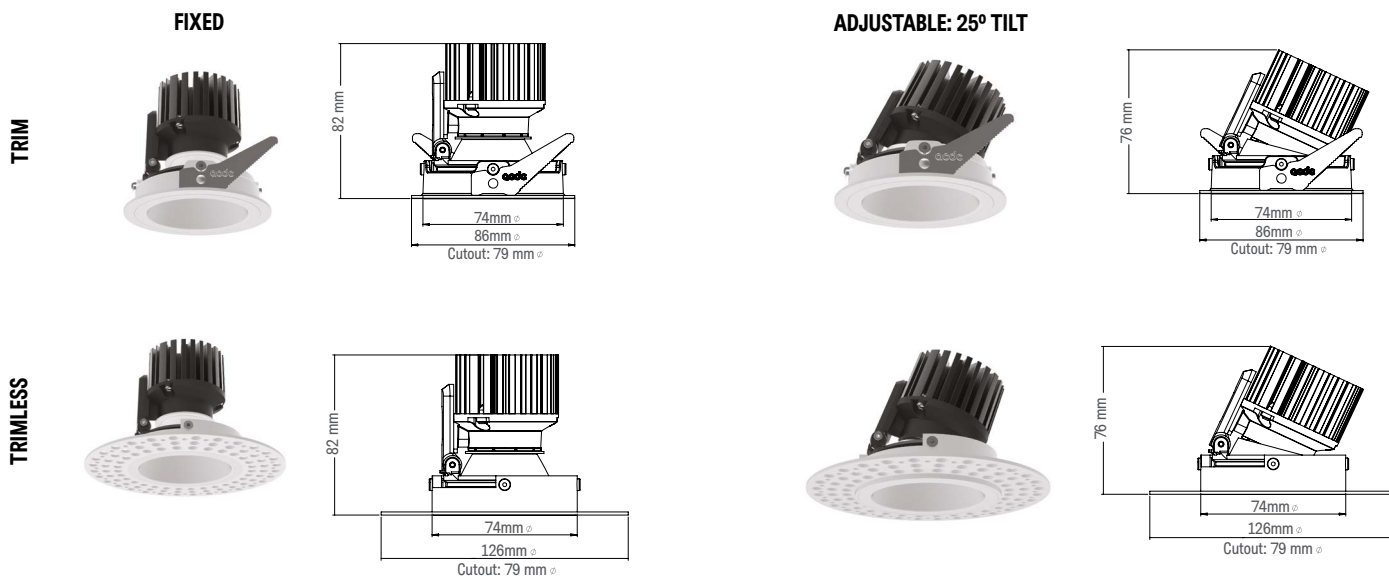
PRODUCT DESCRIPTION	CODE
NVM 600-927 NB N WH WH FD 20 HF	21001938
NVM 600-927 NB N BK BK AJ 20 HF	21002110
NVM 600-927 NB N WH WH AJ 20 HFA	21002086

PRODUCT DESCRIPTION	CODE
NVM 600-930 NB N WH WH AJ 20 HF	21001952
NVM 600-930 NB N BK BK AJ 20 HF	21002112
NVM 600-930 NB N TL WH FD 20 HFX	21008697

# NOVUS MINI LED 1000 80CRI

**A FLAT EDGE MINIATURE ARCHITECTURAL DOWNLIGHT AVAILABLE IN FIXED AND ADJUSTABLE FORMATS DELIVERING 600 AND 1000 LUMENS**

**IP54 - FIXED / IP20 - ADJUSTABLE**



## FEATURES

**Minimalistic Design:** Flat edge trim design, incredibly compact and beautifully designed to blend seamlessly within the architectural environment. Adjustable tilts up to 25° and rotates 355° allowing complete control of the light and quick and simple hot focusing on site. Click in place reflector for simple and rapid installation. When adjusted our unique offset pivot point allows the beam to be directed without any light loss.

**Clean Beam Design (CBD) with wide optic choices:** NOVUS MINI's single point light source design, efficient interchangeable optics and internal detailing of the luminaire have been engineered to ensure outstanding control of the beam angle and the cleanliness of the overall lit effect, without stray light or unpleasant imaging.

**Broad choice as standard:** NOVUS MINI has a selection of beam angles with its highly efficient optics and a variety of colour temperatures. NOVUS MINI and AIR MINI downlights are interchangeable and offer a clean straight trim or soft trim to suit the individual design. NOVUS MINI colour rendering is at the highest level with an 80CRI or 90CRI choice.

**Complete Glare Control:** Single point light source combined with a deep recessed LED position gives you the ultimate in user comfort and complete glare control. Additional accessories are available in the form of a honeycomb louvre and frosted glass for those applications that need a little more help.

**Installation and mounting:** Installation ring has been designed to ensure a quick first fix installation. The click in reflector allows for the removal of the light engine without any hassle.

## GLOBAL APPLICATION

Illuminating areas for hospitality, retail and residential. They are suitable for indoor applications with IP54 and IP20 and for use in ambient temperatures ranging from -20°/+50°C. Providing a level of safeguard when used in extreme and challenging environments.



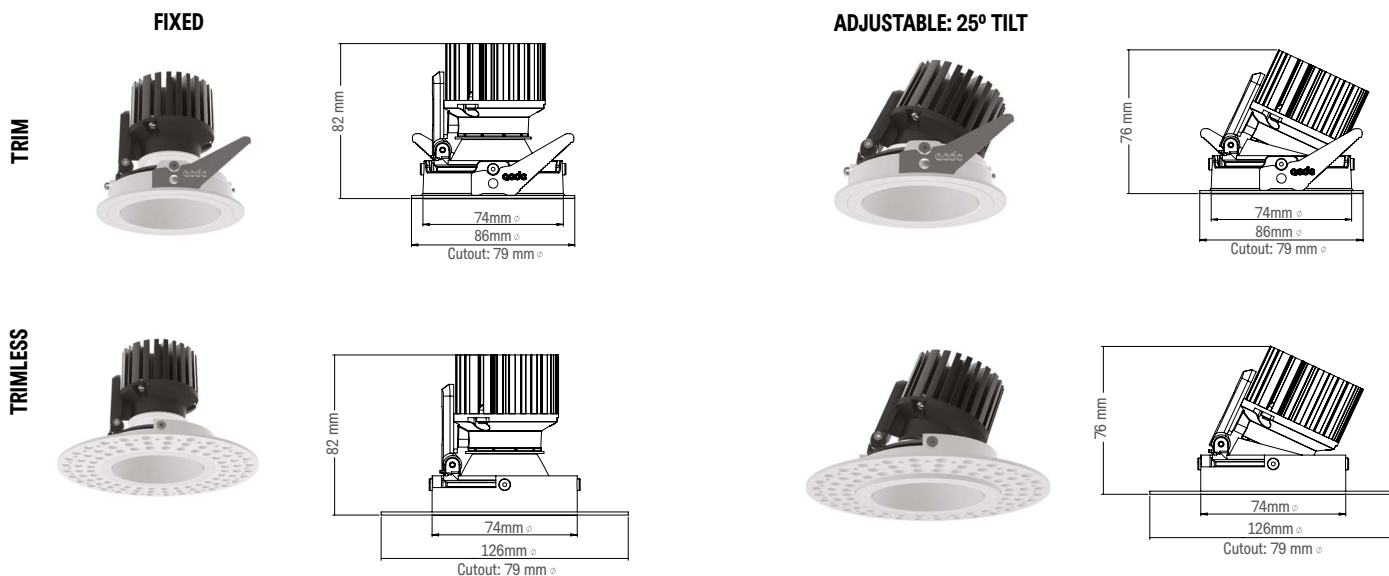




# NOVUS MINI LED 1000 90CRI

**A FLAT EDGE MINIATURE ARCHITECTURAL DOWNLIGHT AVAILABLE IN FIXED AND ADJUSTABLE FORMATS DELIVERING 600 AND 1000 LUMENS**

**IP54 - FIXED / IP20 - ADJUSTABLE**



## FEATURES

**Minimalistic Design:** Flat edge trim design, incredibly compact and beautifully designed to blend seamlessly within the architectural environment. Adjustable tilts up to 25° and rotates 355° allowing complete control of the light and quick and simple hot focusing on site. Click in place reflector for simple and rapid installation. When adjusted our unique offset pivot point allows the beam to be directed without any light loss.

**Clean Beam Design (CBD) with wide optic choices:** NOVUS MINI's single point light source design, efficient interchangeable optics and internal detailing of the luminaire have been engineered to ensure outstanding control of the beam angle and the cleanliness of the overall lit effect, without stray light or unpleasant imaging.

**Broad choice as standard:** NOVUS MINI has a selection of beam angles with its highly efficient optics and a variety of colour temperatures. NOVUS MINI and AIR MINI downlights are interchangeable and offer a clean straight trim or soft trim to suit the individual design. NOVUS MINI colour rendering is at the highest level with an 80CRI or 90CRI choice.

**Complete Glare Control:** Single point light source combined with a deep recessed LED position gives you the ultimate in user comfort and complete glare control. Additional accessories are available in the form of a honeycomb louvre and frosted glass for those applications that need a little more help.

**Installation and mounting:** Installation ring has been designed to ensure a quick first fix installation. The click in reflector allows for the removal of the light engine without any hassle.

## GLOBAL APPLICATION

Illuminating areas for hospitality, retail and residential. They are suitable for indoor applications with IP54 and IP20 and for use in ambient temperatures ranging from -20°/+50°C. Providing a level of safeguard when used in extreme and challenging environments.

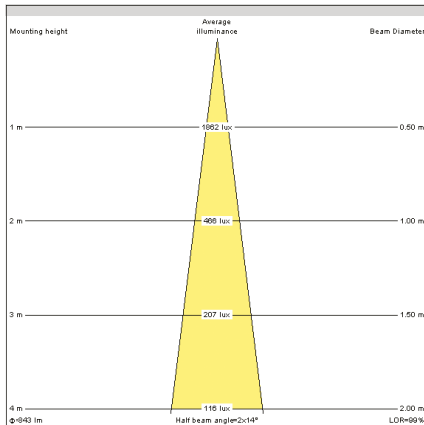




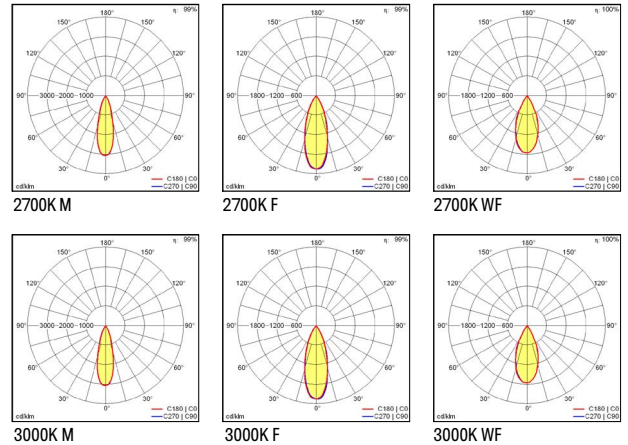
## LIGHT SOURCE INFO

ENGINE TYPE	CRI	OPTIC	COLOUR TEMP (K)	LUMINAIRE LUMEN OUTPUT (lm)	LUMINAIRE LUMENS PER CIRCUIT WATT (lm/cW)	POWER CONSUMPTION, INCLUDING 85% EFFICIENT DRIVER (W)	LIFETIME L70, BASED ON TM-21	COLOUR CONSISTENCY
LED 1000	90	MEDIUM	2700	843	66.9	12.6	>50,000 HOURS	2 STEP MACADAM ELLIPSE
	90		3000	964	76.5	12.6		
	90		4000	997	79.1	12.6		
	90		5000	872	69.2	12.6		

## CONE DIAGRAM



## POLAR PLOT



## BUILD YOUR PRODUCT

PRODUCT		LUMEN OUTPUT		COLOUR TEMPERATURE		LIGHT ENGINE		OPTICS		TRIM		REFLECTOR		VARIANT		ACCESSORIES		PROTECTION		IP54 ACCESSORY		DRIVER	
NOVUS MINI	NVM	1000	1000	2700K	-927	1000	1K	MEDIUM 25°	M	WHITE	WH	WHITE	WH	FIXED	FD	HONEYCOMB LOUVRE	HL	IP20	20	CLEAR GLASS	CG	SWITCHED	HF
				3000K	-930			FLOOD 33°	F	BLACK	BK	BLACK	BK	ADJUSTABLE	AJ	FROSTED GLASS	FG	IP54	54	FROSTED GLASS	FG	1-10V	HFA
				4000K	-940			WIDE FLOOD 45°	WF	RAL	RAL	RAL	RAL			NONE						DALI	HFX
				5000K	-950					*TRIMLESS	TL	SATIN	ST									NONE	NON
												SPECULAR	SP										
	NVM		1000		-927		1K		M		WH		WH		FD		HL		20		CG		HF

DMX option available to run multiple fittings- order separately

### ACCESSORY

TRIMLESS RING	1854
---------------	------

\*Trimless ring ordered separately

## NOVUS MINI EXTRAS

**HONEYCOMB LOUVRE**  
(included in fitting. Can be ordered as separate engine accessory.)

**FROSTED GLASS**  
(included in fitting. Can be ordered as separate engine accessory.)

## FREQUENTLY SPECIFIED

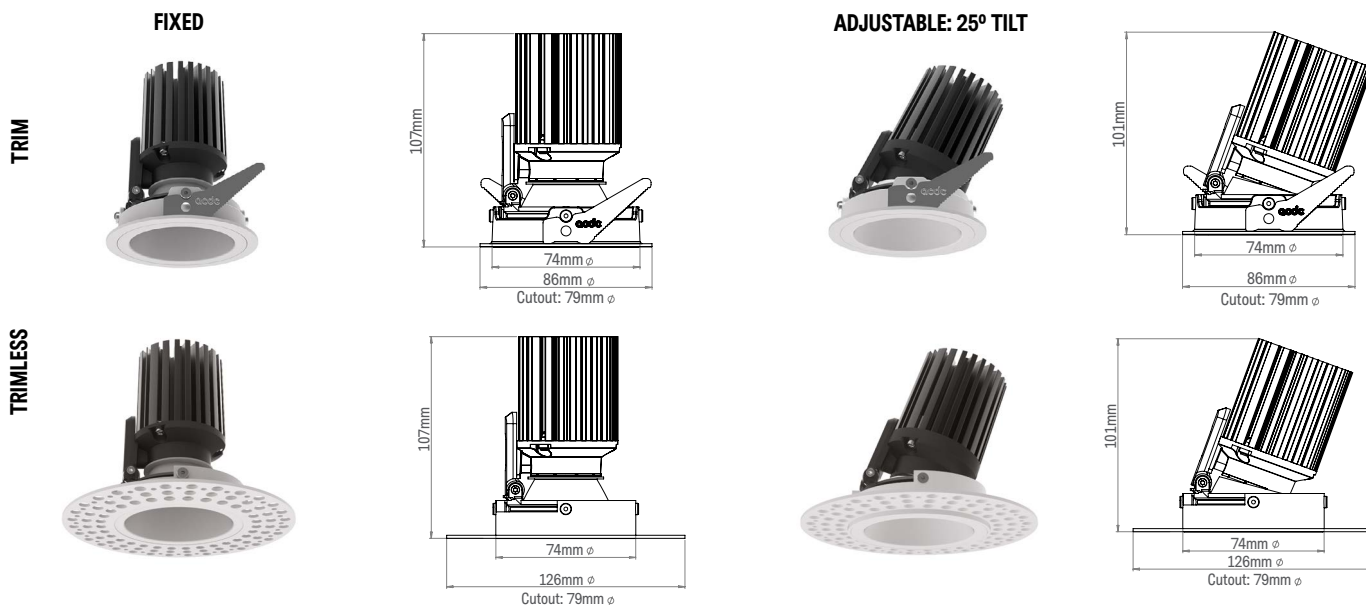
PRODUCT DESCRIPTION	CODE
NVM 1000-927 1K F WH WH AJ 20 HF	21003520
NVM 1000-927 1K F WH WH FD 20 HFX	21008859
NVM 1000-927 1K F BK BK AJ 20 HFX	21009350

PRODUCT DESCRIPTION	CODE
NVM 1000-930 1K F WH WH FD 20 HFX	21008868
NVM 1000-930 1K F BK BK AJ 20 HF	21003538
NVM 1000-930 1K F TL WH FD 20 HFX	

# NOVUS MINI WARM ZERO

**A FLAT EDGE MINIATURE ARCHITECTURAL DOWNLIGHT AVAILABLE IN FIXED AND ADJUSTABLE FORMATS DELIVERING 600 AND 1000 LUMENS**

**IP54 - FIXED / IP20 - ADJUSTABLE**



## FEATURES

**Minimalistic Design:** Flat edge trim design, incredibly compact and beautifully designed to blend seamlessly within the architectural environment. Adjustable tilts up to 25° and rotates 355° allowing complete control of the light and quick and simple hot focusing on site. Click in place reflector for simple and rapid installation. When adjusted our unique offset pivot point allows the beam to be directed without any light loss.

**Clean Beam Design (CBD) with wide optic choices:** NOVUS MINI's single point light source design, efficient interchangeable optics and internal detailing of the luminaire have been engineered to ensure outstanding control of the beam angle and the cleanliness of the overall lit effect, without stray light or unpleasant imaging.

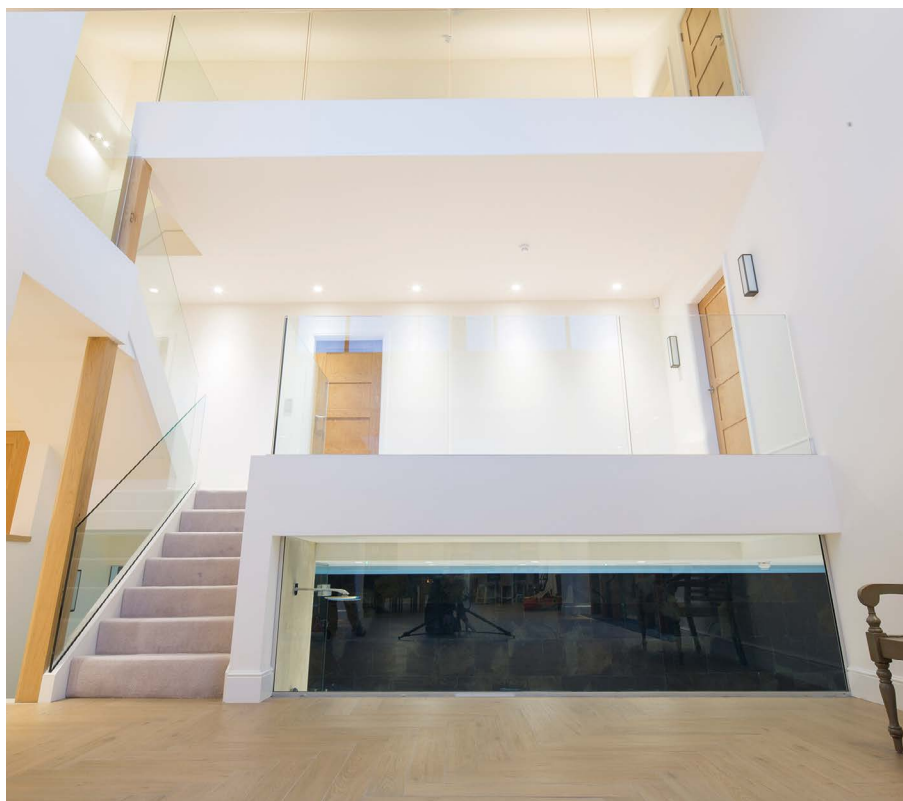
**Broad choice as standard:** NOVUS MINI has a selection of beam angles with its highly efficient optics and a variety of colour temperatures including Warm Zero which mimics halogen dimming increasing the warmth as the product is dimmed to zero from 1800K to 2700K. NOVUS MINI and AIR MINI downlights are interchangeable and offer a clean straight trim or soft trim or to suit the individual design.

**Complete Glare Control:** Single point light source combined with a deep recessed LED position gives you the ultimate in user comfort and complete glare control. Built-in is a frosted glass lens for those applications that need a little more help.

**Installation and mounting:** Installation ring has been designed to ensure a quick first fix installation. The click in reflector allows for the removal of the light engine without any hassle.

## GLOBAL APPLICATION

Illuminating areas for hospitality, retail and residential. They are suitable for indoor applications with IP54 and IP20 and for use in ambient temperatures ranging from -20°/+50°C. Providing a level of safeguard when used in extreme and challenging environments.







## LIGHT SOURCE INFO

ENGINE TYPE	CRI	OPTIC	COLOUR TEMP (K)	LUMINAIRE LUMEN OUTPUT (lm)	LUMINAIRE LUMENS PER CIRCUIT WATT (lm/cW)	POWER CONSUMPTION. INCLUDING 85% EFFICIENT DRIVER (W)	LIFETIME L70. BASED ON TM-21	COLOUR CONSISTENCY
WARM ZERO	94	FLOOD	2000	24	7.3	3.3	>50,000 HOURS	2 STEP MACADAM ELLIPSE
	95		2500	347	28.2	12.3		
	95		3000	467	31.1	15		

## BUILD YOUR PRODUCT

PRODUCT		LUMEN OUTPUT		COLOUR TEMPERATURE		LIGHT ENGINE		OPTICS		TRIM		REFLECTOR		VARIANT		IP20 ACCESSORY		PROTECTION		IP54 ACCESSORY		DRIVER	
NOVUS MINI	NVM	400	400	18-27K	-WZ	WZ	WZ	FLOOD 33°	F	WHITE	WH	WHITE	WH	FIXED	FD	FROSTED GLASS	FG	IP20	20	FROSTED GLASS	FG	1-10V	HFA
								WIDE FLOOD 45°	WF	BLACK	BK	BLACK	BK	ADJUSTABLE	AJ			IP54	54			PHASE	LPC
										RAL	RAL	RAL	RAL									DALI	HFX
										*TRIMLESS	TL	SATIN	ST									NONE	NON
												SPECULAR	SP										HF
	NVM	400			-WZ		WZ	F		WH		WH		FD		FG		20		FG		HF	

DMX option available to run multiple fittings- order separately

### ACCESSORY

TRIMLESS RING	1854
---------------	------

\*Trimless ring ordered separately

## NOVUS MINI EXTRAS



**HONEYCOMB LOUVRE**  
(included in fitting. Can be ordered as separate engine accessory.)



**FROSTED GLASS**  
(included in fitting. Can be ordered as separate engine accessory.)

## FREQUENTLY SPECIFIED

PRODUCT DESCRIPTION	CODE
NVM 400-WZ WZ WF WH WH FD 20 HFA	21005669
NVM 400-WZ WZ F BK BK AJ 20 HFA	21005703
NVM 400-WZ WZ F WH WH AJ 20 HFX	21005692

PRODUCT DESCRIPTION	CODE
NVM 400-WZ WZ WF BK BK FD 20 HFX	21005674
NVM 400-WZ WZ WF WH WH FD 54 CG HFX	21005680
NVM 400-WZ WZ WF WH WH AJ 20 HFX	21005698





AIR uses the power of light to emphasise a unique spirit of space.

These versatile downlights provide a backdrop to the way we use our internal spaces. Without you knowing it, they help us socialise with friends, work with colleagues, cook for loved ones, or even show off special items or decoration.

AIR creates mood, gives character and influences the way we experience and live our lives.

So, live your life be free.

[118. LED 1000](#)

[122. NARROW BEAM](#)

[126. LED 2000](#)

[130. WARMZERO](#)

[132. DYNAMIC WHITE](#)

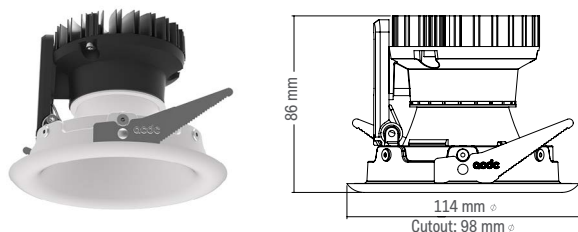


# AIR LED 1000 80CRI

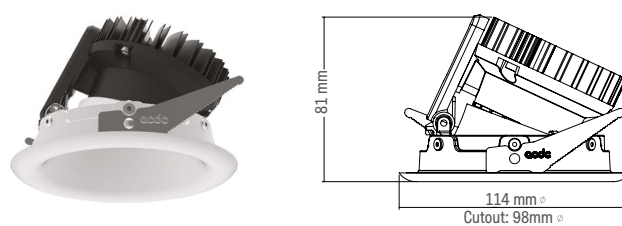
**RECESSED ROUND ARCHITECTURAL DOWNLIGHTS  
AVAILABLE IN FIXED AND ADJUSTABLE OPTIONS**

**IP54 - FIXED / IP20 - ADJUSTABLE**

FIXED



ADJUSTABLE: 25° TILT



## FEATURES

**Minimalistic Design:** Flat edge trim design, incredibly compact and beautifully designed to blend seamlessly within the architectural environment. Adjustable tilts up to 25° and rotates 355° allowing complete control of the light and quick and simple hot focusing on site. Click in place reflector for simple and rapid installation. When adjusted our unique offset pivot point allows the beam to be directed without any light loss.

**Clean Beam Design (CBD) with wide optic choices:** AIR's single point light source design, efficient interchangeable optics and internal detailing of the luminaire have been engineered to ensure outstanding control of the beam angle and the cleanliness of the overall lit effect, without stray light or unpleasant imaging.

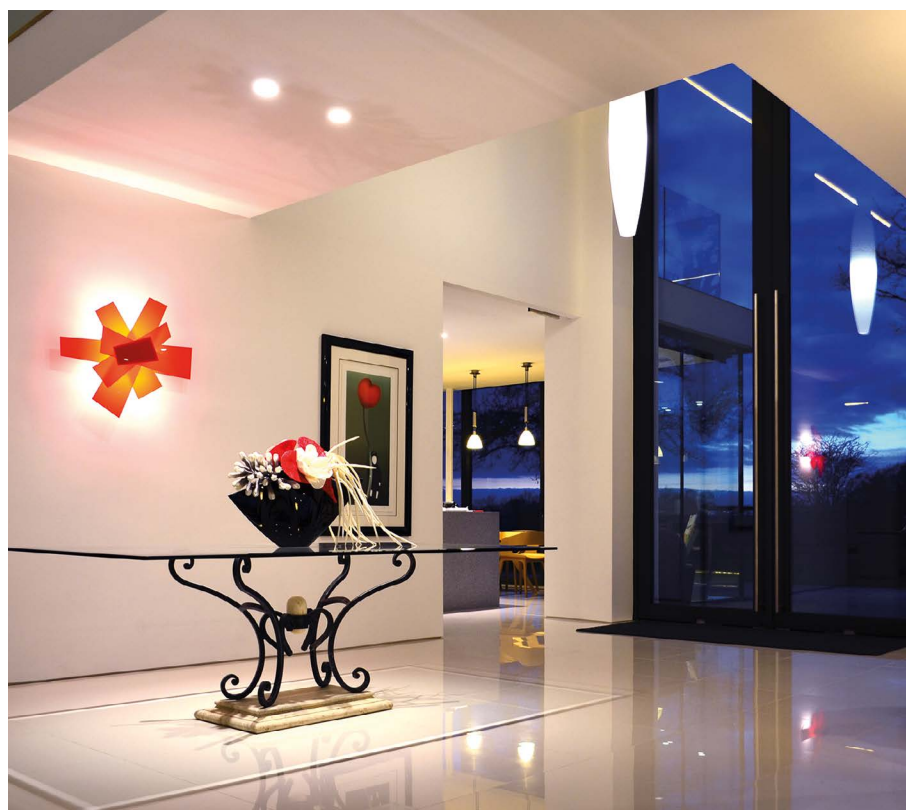
**Broad choice as standard:** AIR has a selection of beam angles with its highly efficient optics and a variety of colour temperatures. AIR and NOVUS downlights are interchangeable and offer a soft trim or clean straight trim to suit the individual design. AIR colour rendering is at the highest level with an 80CRI or 90CRI choice.

**Installation and mounting:** Installation ring has been designed to ensure a quick first fix installation. The click in reflector allows for simple and rapid first fix installation and removal of the light engine without any hassle.

**Complete Glare Control:** Single point light source combined with a deep recessed LED position gives you the ultimate in user comfort and complete glare control. Additional accessories are available in the form of a honeycomb louvre and frosted glass for those applications that need a little more help.

## GLOBAL APPLICATION

Illuminating areas for hospitality, retail and residential. They are suitable for indoor applications with IP54 and IP20 and for use in ambient temperatures ranging from -20°/+50°C. Providing a level of safeguard when used in extreme and challenging environments.

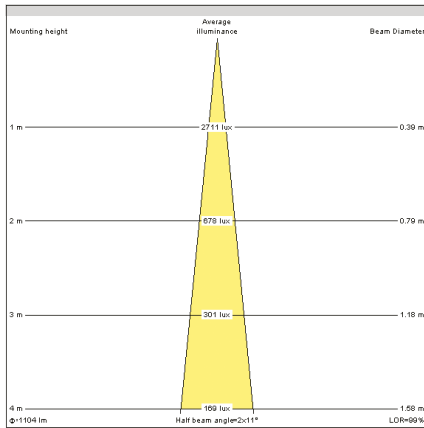




## LIGHT SOURCE INFO

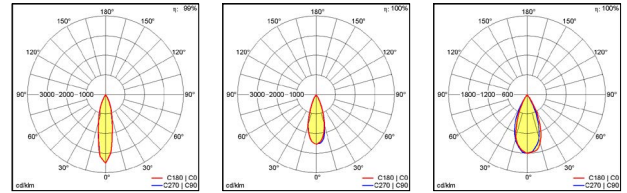
ENGINE TYPE	CRI	OPTIC	COLOUR TEMP (K)	LUMINAIRE LUMEN OUTPUT (lm)	LUMINAIRE LUMENS PER CIRCUIT WATT (lm/cW)	POWER CONSUMPTION, INCLUDING 85% EFFICIENT DRIVER (W)	LIFETIME L70, BASED ON TM-21	COLOUR CONSISTENCY
LED1000	80	MEDIUM	2700	1104	77.7	14.2	>50,000 HOURS	2 STEP MACADAM ELLIPSE
	80		3000	1255	88.4	14.2		
	80		4000	1305	91.9	14.2		
	80		5000	1293	91.1	14.2		

## CONE DIAGRAM



2700K M

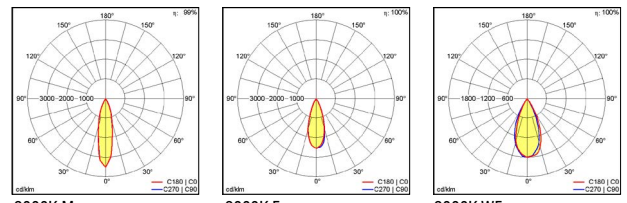
## POLAR PLOT



2700K M

2700K F

2700K WF



3000K M

3000K F

3000K WF

## BUILD YOUR PRODUCT

PRODUCT		LUMEN OUTPUT		COLOUR TEMPERATURE		LIGHT ENGINE		OPTICS		REFLECTOR		VARIANT		ACCESSORIES		PROTECTION		IP54 ACCESSORY		DRIVER	
AIR	AIR	1300	1300	2700K	-827	1000	1K	MEDIUM 25°	M	WHITE	WH	FIXED	FD	HONEYCOMB LOUVRE	HL	IP20	20	CLEAR GLASS	CG	SWITCHED	HF
				3000K	-830			FLOOD 33°	F	BLACK	BK	ADJUSTABLE	AJ	FROSTED GLASS	FG	IP54	54	FROSTED GLASS	FG	1-10V	HFA
				4000K	-840			WIDE FLOOD 45°	WF	RAL	RAL			NONE						PHASE	LPC
				5000K	-850															DALI	HFX
																				NONE	NON
AIR		1300		-827		1K		M		WH		FD		HL		20		CG		HF	

DMX option available to run multiple fittings - order separately

## AIR EXTRAS



**HONEYCOMB LOUVRE**  
(included in fitting. Can be ordered as separate engine accessory.)



**FROSTED GLASS**  
(included in fitting. Can be ordered as separate engine accessory.)

## FREQUENTLY SPECIFIED

PRODUCT DESCRIPTION	CODE
AIR 1300-827 1K F WH AJ HL 20 HFX	21006030
AIR 1300-827 1K WF WH FD 20 HFX	21005893
AIR 1300-830 1K F WH FD HL 20 HFX	21005900

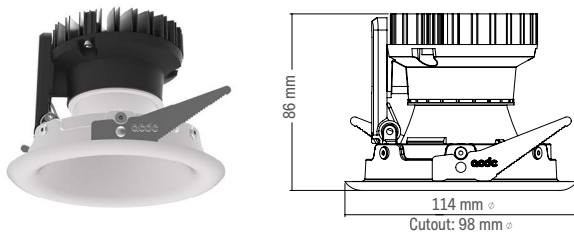
PRODUCT DESCRIPTION	CODE
AIR 1300-830 1K WF WH FD 20 HF	21002618
AIR 1300-830 1K M WH FD HL 20 HFX	21005899
AIR 1300-830 1K M BK AJ 20 HF	21002685

# AIR LED 1000 90CRI

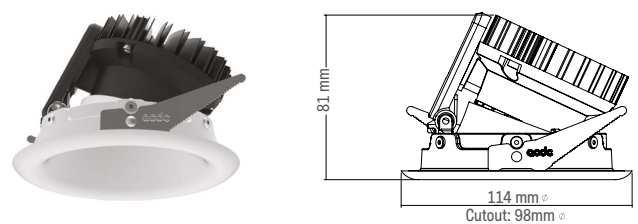
**RECESSED ROUND ARCHITECTURAL DOWNLIGHTS  
AVAILABLE IN FIXED AND ADJUSTABLE OPTIONS**

**IP54 - FIXED / IP20 - ADJUSTABLE**

FIXED



ADJUSTABLE: 25° TILT



## FEATURES

**Minimalistic Design:** Flat edge trim design, incredibly compact and beautifully designed to blend seamlessly within the architectural environment. Adjustable tilts up to 25° and rotates 355° allowing complete control of the light and quick and simple hot focusing on site. Click in place reflector for simple and rapid installation. When adjusted our unique offset pivot point allows the beam to be directed without any light loss.

**Clean Beam Design (CBD) with wide optic choices:** AIR's single point light source design, efficient interchangeable optics and internal detailing of the luminaire have been engineered to ensure outstanding control of the beam angle and the cleanliness of the overall lit effect, without stray light or unpleasant imaging.

**Broad choice as standard:** AIR has a selection of beam angles with its highly efficient optics and a variety of colour temperatures. AIR and NOVUS downlights are interchangeable and offer a soft trim or clean straight trim to suit the individual design. AIR colour rendering is at the highest level with an 80CRI or 90CRI choice.

**Installation and mounting:** Installation ring has been designed to ensure a quick first fix installation. The click in reflector allows for simple and rapid first fix installation and removal of the light engine without any hassle.

**Complete Glare Control:** Single point light source combined with a deep recessed LED position gives you the ultimate in user comfort and complete glare control. Additional accessories are available in the form of a honeycomb louvre and frosted glass for those applications that need a little more help.

## GLOBAL APPLICATION

Illuminating areas for hospitality, retail and residential. They are suitable for indoor applications with IP54 and IP20 and for use in ambient temperatures ranging from -20°/+50°C. Providing a level of safeguard when used in extreme and challenging environments.



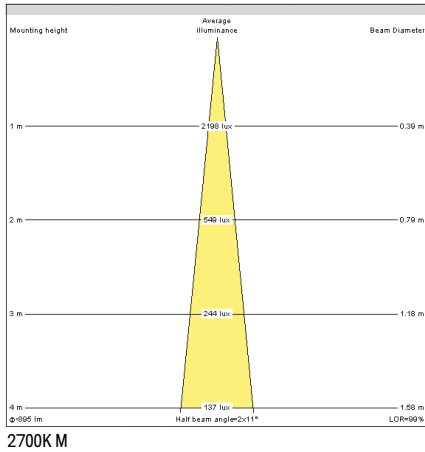




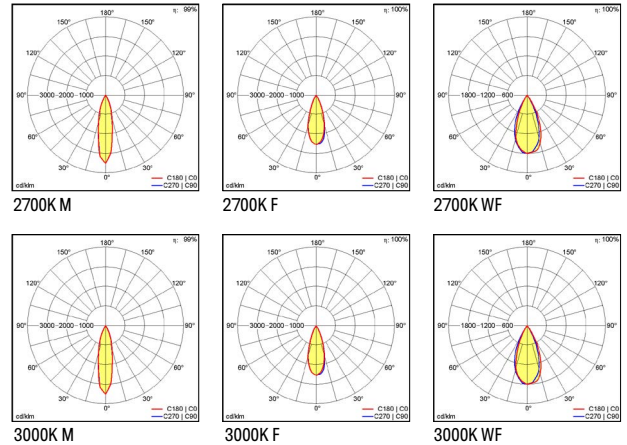
## LIGHT SOURCE INFO

ENGINE TYPE	CRI	OPTIC	COLOUR TEMP (K)	LUMINAIRE LUMEN OUTPUT (lm)	LUMINAIRE LUMENS PER CIRCUIT WATT (lm/cW)	POWER CONSUMPTION, INCLUDING 85% EFFICIENT DRIVER (W)	LIFETIME L70, BASED ON TM-21	COLOUR CONSISTENCY
LED 1000	90	MEDIUM	2700	895	63.0	14.2	>50,000 HOURS	2 STEP MACADAM ELLIPSE
	90		3000	1086	76.5	14.2		
	90		4000	1129	79.5	14.2		
	90		5000	1205	84.9	14.2		

## CONE DIAGRAM



## POLAR PLOT



## BUILD YOUR PRODUCT

PRODUCT		LUMEN OUTPUT		COLOUR TEMPERATURE		LIGHT ENGINE		OPTICS		REFLECTOR		VARIANT		ACCESSORIES		PROTECTION		IP54 ACCESSORY		DRIVER	
AIR	AIR	1100	1100	2700K	-927	1000	1K	MEDIUM 25°	M	WHITE	WH	FIXED	FD	HONEYCOMB LOUVRE	HL	IP20	20	CLEAR GLASS	CG	SWITCHED	HF
				3000K	-930			FLOOD 33°	F	BLACK	BK	ADJUSTABLE	AJ	FROSTED GLASS	FG	IP54	54	FROSTED GLASS	FG	1-10V	HFA
				4000K	-940			WIDE FLOOD 45°	WF	RAL	RAL			NONE						PHASE	LPC
				5000K	-950															DALI	HFX
																				NONE	NON
AIR		1100		-927		1K		M		WH		FD		HL		20		CG		HF	

DMX option available to run multiple fittings - order separately

## AIR EXTRAS



**HONEYCOMB LOUVRE**  
(included in fitting. Can be ordered as separate engine accessory.)



**FROSTED GLASS**  
(included in fitting. Can be ordered as separate engine accessory.)

## FREQUENTLY SPECIFIED

PRODUCT DESCRIPTION	CODE
AIR 1100-927 1K F WH FD 20 HF	21003548
AIR 1100-927 1K M WH AJ 20 HFA	21002691
AIR 1100-927 1K F BK FD HL 20 HFX	21005918

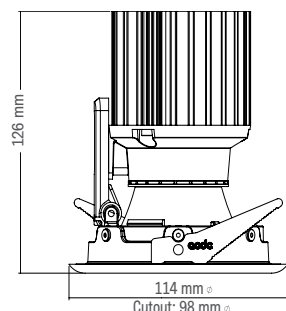
PRODUCT DESCRIPTION	CODE
AIR 1100-930 1K F WH FD 20 HF	21003550
AIR 1100-930 1K F BK AJ 20 HF	21003574
AIR 1100-930 1K WF WH AJ 20 HFA	21002696

# AIR NB 1000 80CRI

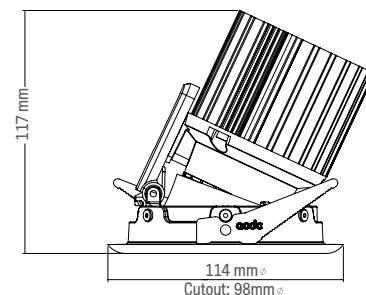
**RECESSED ROUND ARCHITECTURAL DOWNLIGHTS  
AVAILABLE IN FIXED AND ADJUSTABLE OPTIONS**

**IP54 - FIXED / IP20 - ADJUSTABLE**

FIXED



ADJUSTABLE: 25° TILT



## FEATURES

**Minimalistic Design:** Flat edge trim design, incredibly compact and beautifully designed to blend seamlessly within the architectural environment. Adjustable tilts up to 25° and rotates 355° allowing complete control of the light and quick and simple hot focusing on site. Click in place reflector for simple and rapid installation. When adjusted our unique offset pivot point allows the beam to be directed without any light loss.

**Clean Beam Design (CBD) with wide optic choices:** AIR's single point light source design, efficient interchangeable optics and internal detailing of the luminaire have been engineered to ensure outstanding control of the beam angle and the cleanliness of the overall lit effect, without stray light or unpleasant imaging.

**Broad choice as standard:** AIR has a selection of beam angles with its highly efficient optics with a narrow beam option and includes a variety of colour temperatures. AIR and NOVUS downlights are interchangeable and offer a soft trim or clean straight trim to suit the individual design. AIR colour rendering is at the highest level with an 80CRI or 90CRI choice.

**Installation and mounting:** Installation ring has been designed to ensure a quick first fix installation. The click in reflector allows for simple and rapid first fix installation and removal of the light engine without any hassle.

**Complete Glare Control:** Single point light source combined with a deep recessed LED position gives you the ultimate in user comfort and complete glare control. Additional accessories are available in the form of a honeycomb louvre and frosted glass for those applications that need a little more help.

## GLOBAL APPLICATION

Illuminating areas for hospitality, retail and residential. They are suitable for indoor applications with IP54 and IP20 and for use in ambient temperatures ranging from -20°/+50°C. Providing a level of safeguard when used in extreme and challenging environments.

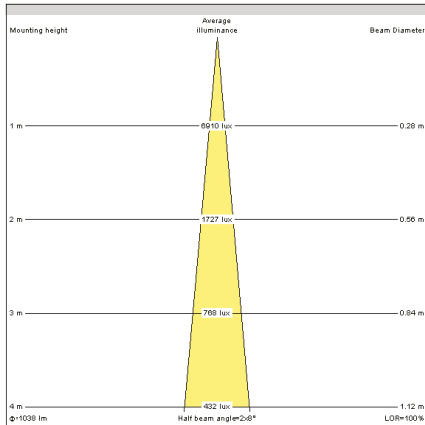




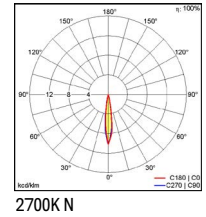
## LIGHT SOURCE INFO

ENGINE TYPE	CRI	OPTIC	COLOUR TEMP (K)	LUMINAIRE LUMEN OUTPUT (lm)	LUMINAIRE LUMENS PER CIRCUIT WATT (lm/cW)	POWER CONSUMPTION, INCLUDING 85% EFFICIENT DRIVER (W)	LIFETIME L70, BASED ON TM-21	COLOUR CONSISTENCY
NB	80	NARROW	2700	972	60.4	16.1	>50,000 HOURS	2 STEP MACADAM ELLIPSE
	80		3000	1038	64.5	16.1		
	80		4000	1033	64.2	16.1		
	80		5000	1071	66.5	16.1		

## CONE DIAGRAM



## POLAR PLOT



## BUILD YOUR PRODUCT

PRODUCT		LUMEN OUTPUT		COLOUR TEMPERATURE		LIGHT ENGINE		OPTICS		REFLECTOR		VARIANT		ACCESSORIES		PROTECTION		IP54 ACCESSORY		DRIVER	
AIR	AIR	1100	1100	2700K	-827	NB	NB	NARROW 12°	N	WHITE	WH	FIXED	FD	HONEYCOMB LOUVRE	HL	IP20	20	CLEAR GLASS	CG	SWITCHED	HF
				3000K	-830					BLACK	BK	ADJUSTABLE	AJ	FROSTED GLASS	FG	IP54	54	FROSTED GLASS	FG	1-10V	HFA
				4000K	-840					RAL	RAL			NONE						PHASE	LPC
				5000K	-850															DALI	HFX
																				NONE	NON
AIR		1100		-827		NB		N		WH		FD		HL		20		CG		HF	

DMX option available to run multiple fittings - order separately

## AIR EXTRAS



**HONEYCOMB LOUVRE**  
(included in fitting. Can be ordered as separate engine accessory.)



**FROSTED GLASS**  
(included in fitting. Can be ordered as separate engine accessory.)

## FREQUENTLY SPECIFIED

PRODUCT DESCRIPTION	CODE	PRODUCT DESCRIPTION	CODE
AIR 1100-827 NB N WH FD 20 HFA	21002653	AIR 1100-830 NB N WH FD 20 HFA	21002655
AIR 1100-827 NB N BK AJ 20 HF	21002665	AIR 1100-830 NB N BK FD 20 HFA	21002743
AIR 1100-827 NB N WH AJ 20 HFX	21006131	AIR 1100-830 NB N WH FD 20 HFX	21006080

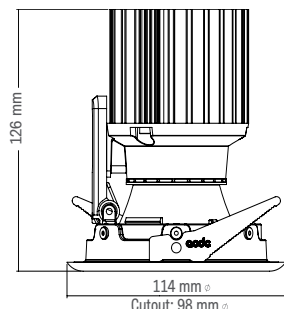


# AIR NB 1000 90CRI

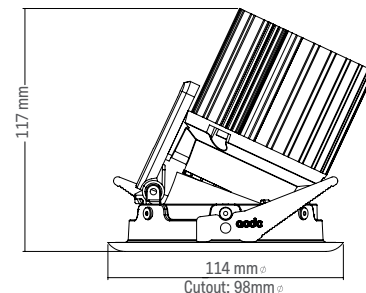
**RECESSED ROUND ARCHITECTURAL DOWNLIGHTS  
AVAILABLE IN FIXED AND ADJUSTABLE OPTIONS**

**IP54 - FIXED / IP20 - ADJUSTABLE**

FIXED



ADJUSTABLE: 25° TILT



## FEATURES

**Minimalistic Design:** Flat edge trim design, incredibly compact and beautifully designed to blend seamlessly within the architectural environment. Adjustable tilts up to 25° and rotates 355° allowing complete control of the light and quick and simple hot focusing on site. Click in place reflector for simple and rapid installation. When adjusted our unique offset pivot point allows the beam to be directed without any light loss.

**Clean Beam Design (CBD) with wide optic choices:** AIR's single point light source design, efficient interchangeable optics and internal detailing of the luminaire have been engineered to ensure outstanding control of the beam angle and the cleanliness of the overall lit effect, without stray light or unpleasant imaging.

**Broad choice as standard:** AIR has a selection of beam angles with its highly efficient optics with a narrow beam option and includes a variety of colour temperatures. AIR and NOVUS downlights are interchangeable and offer a soft trim or clean straight trim to suit the individual design. AIR colour rendering is at the highest level with an 80CRI or 90CRI choice.

**Installation and mounting:** Installation ring has been designed to ensure a quick first fix installation. The click in reflector allows for simple and rapid first fix installation and removal of the light engine without any hassle.

**Complete Glare Control:** Single point light source combined with a deep recessed LED position gives you the ultimate in user comfort and complete glare control. Additional accessories are available in the form of a honeycomb louvre and frosted glass for those applications that need a little more help.

## GLOBAL APPLICATION

Illuminating areas for hospitality, retail and residential. They are suitable for indoor applications with IP54 and IP20 and for use in ambient temperatures ranging from -20°/+50°C. Providing a level of safeguard when used in extreme and challenging environments.

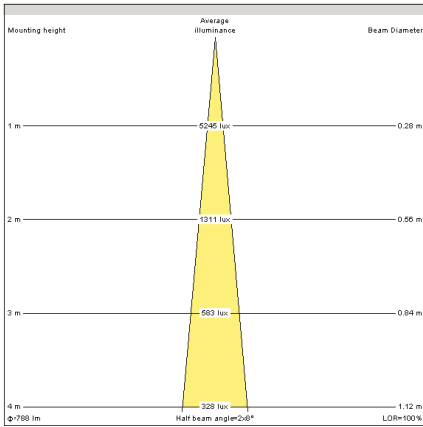




## LIGHT SOURCE INFO

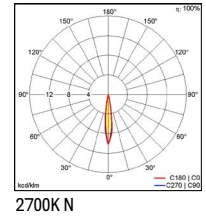
ENGINE TYPE	CRI	OPTIC	COLOUR TEMP (K)	LUMINAIRE LUMEN OUTPUT (lm)	LUMINAIRE LUMENS PER CIRCUIT WATT (lm/cW)	POWER CONSUMPTION, INCLUDING 85% EFFICIENT DRIVER (W)	LIFETIME L70, BASED ON TM-21	COLOUR CONSISTENCY
NB 1000	90	NARROW	2700	788	48.9	16.1	>50,000 HOURS	2 STEP MACADAM ELLIPSE
	90		3000	899	55.8	16.1		
	90		4000	895	55.6	16.1		
	90		5000	998	62.0	16.1		

## CONE DIAGRAM



2700K M

## POLAR PLOT



## BUILD YOUR PRODUCT

PRODUCT		LUMEN OUTPUT		COLOUR TEMPERATURE		LIGHT ENGINE		OPTICS		REFLECTOR		VARIANT		ACCESSORIES		PROTECTION		IP54 ACCESSORY		DRIVER	
AIR	AIR	900	900	2700K	-927	NB	NB	NARROW 12°	N	WHITE	WH	FIXED	FD	HONEYCOMB LOUVRE	HL	IP20	20	CLEAR GLASS	CG	SWITCHED	HF
				3000K	-930					BLACK	BK	ADJUSTABLE	AJ	FROSTED GLASS	FG	IP54	54	FROSTED GLASS	FG	1-10V	HFA
				4000K	-940					RAL	RAL			NONE						PHASE	LPC
				5000K	-950															DALI	HFX
																				NONE	NON
AIR		900		-927		NB		N		WH		FD		HL		20		CG		HF	

DMX option available to run multiple fittings - order separately

## AIR EXTRAS



**HONEYCOMB LOUVRE**  
(included in fitting. Can be ordered as separate engine accessory.)



**FROSTED GLASS**  
(included in fitting. Can be ordered as separate engine accessory.)

## FREQUENTLY SPECIFIED

PRODUCT DESCRIPTION	CODE
AIR 900-927 NB N WH AJ 20 HFX	21006132
AIR 900-927 NB N BK FD 20 HFA	21002742
AIR 900-927 NB N WH FD 20 HFX	21006078

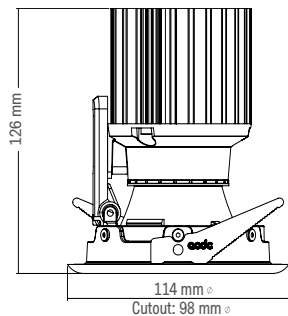
PRODUCT DESCRIPTION	CODE
AIR 900-930 NB N WH FD 20 HFA	21002656
AIR 900-930 NB N WH AJ 20 HF	21002624
AIR 900-930 NB N BK FD 20 HFA	21002744

# AIR LED 2000 80CRI

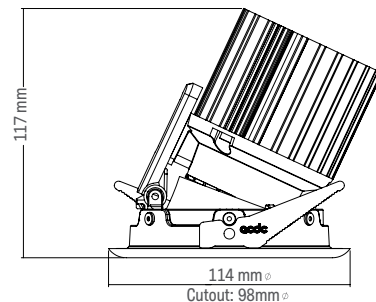
**RECESSED ROUND ARCHITECTURAL DOWNLIGHTS  
AVAILABLE IN FIXED AND ADJUSTABLE OPTIONS**

**IP54 - FIXED / IP20 - ADJUSTABLE**

FIXED



ADJUSTABLE: 25° TILT



## FEATURES

**Minimalistic Design:** Flat edge trim design, incredibly compact and beautifully designed to blend seamlessly within the architectural environment. Adjustable tilts up to 25° and rotates 355° allowing complete control of the light and quick and simple hot focusing on site. Click in place reflector for simple and rapid installation. When adjusted our unique offset pivot point allows the beam to be directed without any light loss.

**Clean Beam Design (CBD) with wide optic choices:** AIR's single point light source design, efficient interchangeable optics and internal detailing of the luminaire have been engineered to ensure outstanding control of the beam angle and the cleanliness of the overall lit effect, without stray light or unpleasant imaging.

**Broad choice as standard:** AIR has a selection of beam angles with its highly efficient optics and a variety of colour temperatures. AIR and NOVUS downlights are interchangeable and offer a soft trim or clean straight trim to suit the individual design. AIR colour rendering is at the highest level with an 80CRI or 90CRI choice.

**Installation and mounting:** Installation ring has been designed to ensure a quick first fix installation. The click in reflector allows for simple and rapid first fix installation and removal of the light engine without any hassle.

**Complete Glare Control:** Single point light source combined with a deep recessed LED position gives you the ultimate in user comfort and complete glare control. Additional accessories are available in the form of a honeycomb louvre and frosted glass for those applications that need a little more help.

## GLOBAL APPLICATION

Illuminating areas for hospitality, retail and residential. They are suitable for indoor applications with IP54 and IP20 and for use in ambient temperatures ranging from -20°/+50°C. Providing a level of safeguard when used in extreme and challenging environments.



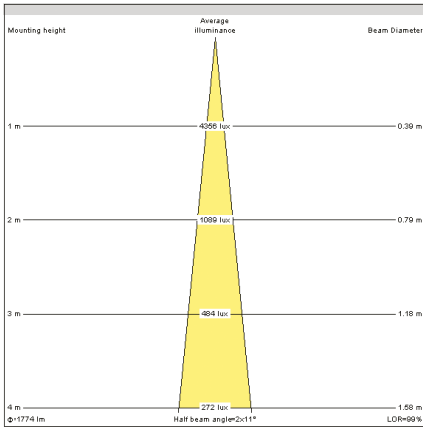




## LIGHT SOURCE INFO

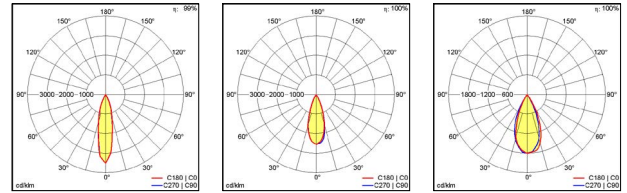
ENGINE TYPE	CRI	OPTIC	COLOUR TEMP (K)	LUMINAIRE LUMEN OUTPUT (lm)	LUMINAIRE LUMENS PER CIRCUIT WATT (lm/cW)	POWER CONSUMPTION, INCLUDING 85% EFFICIENT DRIVER (W)	LIFETIME L70, BASED ON TM-21	COLOUR CONSISTENCY
LED2000	80	MEDIUM	2700	1774	72.1	24.6	>50,000 HOURS	2 STEP MACADAM ELLIPSE
	80		3000	2016	82.0	24.6		
	80		4000	2096	85.2	24.6		
	80		5000	2076	84.4	24.6		

## CONE DIAGRAM



2700K M

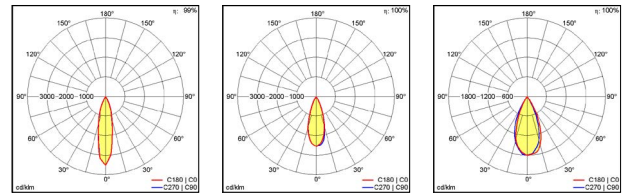
## POLAR PLOT



2700K M

2700K F

2700K WF



3000K M

3000K F

3000K WF

## BUILD YOUR PRODUCT

PRODUCT		LUMEN OUTPUT		COLOUR TEMPERATURE		LIGHT ENGINE		OPTICS		REFLECTOR		VARIANT		ACCESSORIES		PROTECTION		IP54 ACCESSORY		DRIVER	
AIR	AIR	2000	2000	2700K	-827	2000	2K	MEDIUM 25°	M	WHITE	WH	FIXED	FD	HONEYCOMB LOUVRE	HL	IP20	20	CLEAR GLASS	CG	SWITCHED	HF
				3000K	-830			FLOOD 33°	F	BLACK	BK	ADJUSTABLE	AJ	FROSTED GLASS	FG	IP54	54	FROSTED GLASS	FG	1-10V	HFA
				4000K	-840			WIDE FLOOD 45°	WF	RAL	RAL			NONE						DALI	HFX
				5000K	-850															NONE	NON
AIR		2000		-827		2K		M		WH		FD		HL		20		CG		HF	

DMX option available to run multiple fittings - order separately

## AIR EXTRAS



**HONEYCOMB LOUVRE**  
(included in fitting. Can be ordered as separate engine accessory.)



**FROSTED GLASS**  
(included in fitting. Can be ordered as separate engine accessory.)

## FREQUENTLY SPECIFIED

PRODUCT DESCRIPTION	CODE
AIR 2000-827 2K M WH FD 20 HF	21002633
AIR 2000-827 2K F BK AJ 20 HF	21003587
AIR 2000-827 2K WF WH FD 20 HFA	21002706

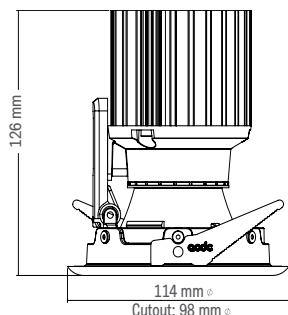
PRODUCT DESCRIPTION	CODE
AIR 2000-830 2K M WH FD 20 HFA	21002709
AIR 2000-830 2K WF WH FD 20 HFA	21002710
AIR 2000-830 2K WF WH FD HL 54 HFX	21006204

# AIR LED 2000 90CRI

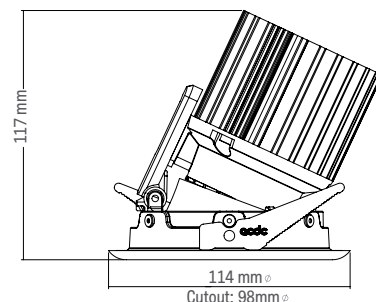
**RECESSED ROUND ARCHITECTURAL DOWNLIGHTS  
AVAILABLE IN FIXED AND ADJUSTABLE OPTIONS**

**IP54 - FIXED / IP20 - ADJUSTABLE**

FIXED



ADJUSTABLE: 25° TILT



## FEATURES

**Minimalistic Design:** Flat edge trim design, incredibly compact and beautifully designed to blend seamlessly within the architectural environment. Adjustable tilts up to 25° and rotates 355° allowing complete control of the light and quick and simple hot focusing on site. Click in place reflector for simple and rapid installation. When adjusted our unique offset pivot point allows the beam to be directed without any light loss.

**Clean Beam Design (CBD) with wide optic choices:** AIR's single point light source design, efficient interchangeable optics and internal detailing of the luminaire have been engineered to ensure outstanding control of the beam angle and the cleanliness of the overall lit effect, without stray light or unpleasant imaging.

**Broad choice as standard:** AIR has a selection of beam angles with its highly efficient optics and a variety of colour temperatures. AIR and NOVUS downlights are interchangeable and offer a soft trim or clean straight trim to suit the individual design. AIR colour rendering is at the highest level with an 80CRI or 90CRI choice.

**Installation and mounting:** Installation ring has been designed to ensure a quick first fix installation. The click in reflector allows for simple and rapid first fix installation and removal of the light engine without any hassle.

**Complete Glare Control:** Single point light source combined with a deep recessed LED position gives you the ultimate in user comfort and complete glare control. Additional accessories are available in the form of a honeycomb louvre and frosted glass for those applications that need a little more help.

## GLOBAL APPLICATION

Illuminating areas for hospitality, retail and residential. They are suitable for indoor applications with IP54 and IP20 and for use in ambient temperatures ranging from -20°/+50°C. Providing a level of safeguard when used in extreme and challenging environments.

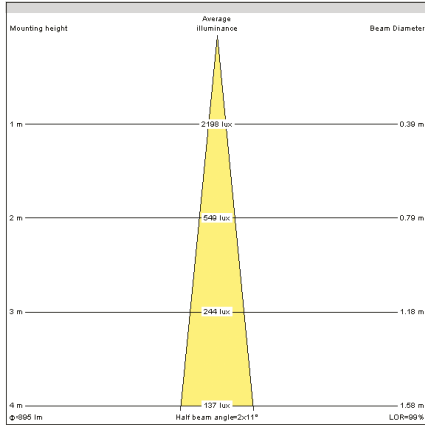




## LIGHT SOURCE INFO

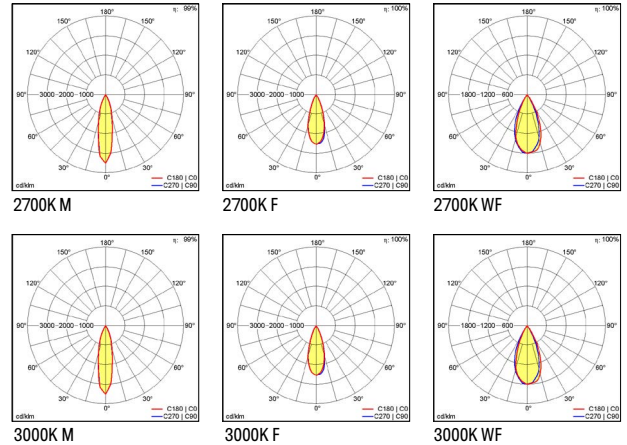
ENGINE TYPE	CRI	OPTIC	COLOUR TEMP (K)	LUMINAIRE LUMEN OUTPUT (lm)	LUMINAIRE LUMENS PER CIRCUIT WATT (lm/cW)	POWER CONSUMPTION, INCLUDING 85% EFFICIENT DRIVER (W)	LIFETIME L70, BASED ON TM-21	COLOUR CONSISTENCY
LED 2000	90	MEDIUM	2700	1438	58.5	24.6	>50,000 HOURS	2 STEP MACADAM ELLIPSE
	90		3000	1746	71.0	24.6		
	90		4000	1814	73.7	24.6		
	90		5000	1936	78.7	24.6		

## CONE DIAGRAM



2700K M

## POLAR PLOT



## BUILD YOUR PRODUCT

PRODUCT		LUMEN OUTPUT		COLOUR TEMPERATURE		LIGHT ENGINE		OPTICS		REFLECTOR		VARIANT		ACCESSORIES		PROTECTION		IP54 ACCESSORY		DRIVER	
AIR	AIR	1800	1800	2700K	-927	2000	2K	MEDIUM 25°	M	WHITE	WH	FIXED	FD	HONEYCOMB LOUVRE	HL	IP20	20	CLEAR GLASS	CG	SWITCHED	HF
				3000K	-930			FLOOD 33°	F	BLACK	BK	ADJUSTABLE	AJ	FROSTED GLASS	FG	IP54	54	FROSTED GLASS	FG	1-10V	HFA
				4000K	-940			WIDE FLOOD 45°	WF	RAL	RAL			NONE						DALI	HFX
				5000K	-950															NONE	NON
AIR		1800		-927		2K		M		WH		FD		HL		20		CG		HF	

DMX option available to run multiple fittings - order separately

## AIR EXTRAS



**HONEYCOMB LOUVRE**  
 (included in fitting. Can be ordered as separate engine accessory.)



**FROSTED GLASS**  
 (included in fitting. Can be ordered as separate engine accessory.)

## FREQUENTLY SPECIFIED

PRODUCT DESCRIPTION	CODE
AIR 1800-927 2K F WH FD 20 HF	21003556
AIR 1800-927 2K F BK AJ 20 HF	21003588
AIR 1800-927 2K F WH AJ 20 HFA	21003592

PRODUCT DESCRIPTION	CODE
AIR 1800-930 2K M WH FD 20 HFX	21006158
AIR 1800-930 2K WF WH AJ 20 HFX	21006315
AIR 1800-930 2K M WH FD HL 20 HFX	21006157

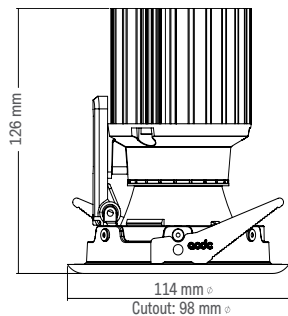


# AIR WARM ZERO

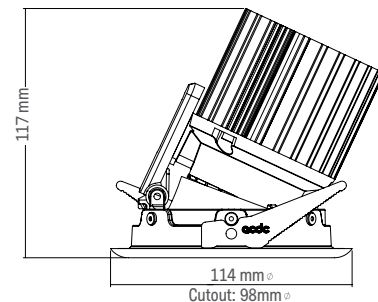
**RECESSED ROUND ARCHITECTURAL DOWNLIGHTS  
AVAILABLE IN FIXED AND ADJUSTABLE OPTIONS**

**IP54 - FIXED / IP20 - ADJUSTABLE**

FIXED



ADJUSTABLE: 25° TILT



## FEATURES

**Minimalistic Design:** Flat edge trim design, incredibly compact and beautifully designed to blend seamlessly within the architectural environment. Adjustable tilts up to 25° and rotates 355° allowing complete control of the light and quick and simple hot focusing on site. Click in place reflector for simple and rapid installation. When adjusted our unique offset pivot point allows the beam to be directed without any light loss.

**Clean Beam Design (CBD) with wide optic choices:** AIR's single point light source design, efficient interchangeable optics and internal detailing of the luminaire have been engineered to ensure outstanding control of the beam angle and the cleanliness of the overall lit effect, without stray light or unpleasant imaging.

**Broad choice as standard:** AIR has a selection of beam angles with its highly efficient optics and a variety of colour temperatures including Warm Zero which mimics halogen dimming increasing the warmth as the product is dimmed to zero from 1800K to 2700K. AIR and NOVUS downlights are interchangeable and offer a soft trim or clean straight trim to suit the individual design. AIR colour rendering is at the highest level with an 80CRI or 90CRI choice.

**Installation and mounting:** Installation ring has been designed to ensure a quick first fix installation. The click in reflector allows for simple and rapid first fix installation and removal of the light engine without any hassle.

**Complete Glare Control:** Single point light source combined with a deep recessed LED position gives you the ultimate in user comfort and complete glare control. It has built-in frosted glass for those applications that need a little more help.

## GLOBAL APPLICATION

Illuminating areas for hospitality, retail and residential. They are suitable for indoor applications with IP54 and IP20 and for use in ambient temperatures ranging from -20°/+50°C. Providing a level of safeguard when used in extreme and challenging environments.





## LIGHT SOURCE INFO

ENGINE TYPE	CRI	OPTIC	COLOUR TEMP (K)	LUMINAIRE LUMEN OUTPUT (lm)	LUMINAIRE LUMENS PER CIRCUIT WATT (lm/cW)	POWER CONSUMPTION. INCLUDING 85% EFFICIENT DRIVER (W)	LIFETIME L70. BASED ON TM-21	COLOUR CONSISTENCY
WARM ZERO	94	FLOOD	2000	27	8.2	3.3	>50,000 HOURS	2 STEP MACADAM ELLIPSE
	95		2500	386	31.4	12.3		
	95		3000	519	34.6	15		

## BUILD YOUR PRODUCT

PRODUCT		LUMEN OUTPUT		COLOUR TEMPERATURE		LIGHT ENGINE		OPTICS		REFLECTOR		VARIANT		IP20 ACCESSORY		PROTECTION		IP54 ACCESSORY		DRIVER	
AIR	AIR	500	500	18-27K	-WZ	WZ	WZ	FLOOD 33°	F	WHITE	WH	FIXED	FD	FROSTED GLASS	FG	IP20	20	FROSTED GLASS	FG	1-10V	HFA
								WIDE FLOOD 45°	WF	BLACK	BK	ADJUSTABLE	AJ			IP54	54			PHASE	LPC
										RAL	RAL									DALI	HFX
																				NONE	NON
AIR		500		-WZ		WZ		F		WH		FD		FG		20		FG		HF	

DMX option available to run multiple fittings - order separately

## FREQUENTLY SPECIFIED

PRODUCT DESCRIPTION	CODE
AIR 500-WZ WZ WF WH AJ 20 FG HFA	21005597
AIR 500-WZ WZ F BK AJ 20 FG HFA	21005599
AIR 500-WZ WZ WF WH FD FG 20 HFA	21005565

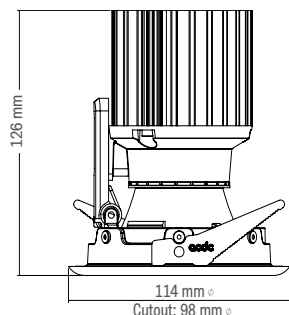
PRODUCT DESCRIPTION	CODE
AIR 500-WZ WZ F WH AJ 20 FG HFA	21005595
AIR 500-WZ WZ WF BK FD FG 20 HFX	21005572
AIR 500-WZ WZ WF WH AJ 20 FG HFX	21005598

# AIR DYNAMIC WHITE

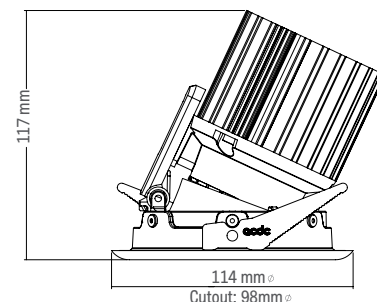
**RECESSED ROUND ARCHITECTURAL DOWNLIGHTS  
AVAILABLE IN FIXED AND ADJUSTABLE OPTIONS**

**IP54 - FIXED / IP20 - ADJUSTABLE**

FIXED



ADJUSTABLE: 25° TILT



## FEATURES

**Minimalistic Design:** Flat edge trim design, incredibly compact and beautifully designed to blend seamlessly within the architectural environment. Adjustable tilts up to 25° and rotates 355° allowing complete control of the light and quick and simple hot focusing on site. Click in place reflector for simple and rapid installation. When adjusted our unique offset pivot point allows the beam to be directed without any light loss.

**Clean Beam Design (CBD) with wide optic choices:** AIR's single point light source design, efficient interchangeable optics and internal detailing of the luminaire have been engineered to ensure outstanding control of the beam angle and the cleanliness of the overall lit effect, without stray light or unpleasant imaging.

**Broad choice as standard:** AIR has a selection of beam angles with its highly efficient optics and a variety of colour temperatures including Dynamic White allowing you to tune the colour temperature to suit a mood or task. AIR and NOVUS downlights are interchangeable and offer a soft trim or clean straight trim to suit the individual design.

**Installation and mounting:** Installation ring has been designed to ensure a quick first fix installation. The click in reflector allows for simple and rapid first fix installation and removal of the light engine without any hassle.

**Complete Glare Control:** Single point light source combined with a deep recessed LED position gives you the ultimate in user comfort and complete glare control. It has built-in frosted glass for those applications that need a little more help.

## GLOBAL APPLICATION

Illuminating areas for hospitality, retail and residential. They are suitable for indoor applications with IP54 and IP20 and for use in ambient temperatures ranging from -20°/+50°C. Providing a level of safeguard when used in extreme and challenging environments.







## LIGHT SOURCE INFO

ENGINE TYPE	CRI	OPTIC	COLOUR TEMP (K)	LUMINAIRE LUMEN OUTPUT (lm)	LUMINAIRE LUMENS PER CIRCUIT WATT (lm/cW)	POWER CONSUMPTION, INCLUDING 85% EFFICIENT DRIVER (W)	LIFETIME L70, BASED ON TM-21	COLOUR CONSISTENCY
DYNAMIC WHITE	85	FLOOD	2700	655	55.0	11.9	>50,000 HOURS	2 STEP MACADAM ELLIPSE
	89		4200	1360	61.3	22.2		
	85		6500	773	59.0	13.1		

## BUILD YOUR PRODUCT

PRODUCT		LUMEN OUTPUT		COLOUR TEMP		LIGHT ENGINE		OPTICS		REFLECTOR		VARIANT		IP20 ACCESSORY		PROTECTION		IP54 ACCESSORY		DRIVER	
AIR	AIR	1300	1300	27-65K	DW	DW	DW	FLOOD 33°	F	WHITE	WH	FIXED	FD	*FROSTED GLASS	FG	IP20	20	FROSTED GLASS	FG	1-10V	HFA
								WIDE FLOOD 45°	WF	BLACK	BK	ADJUSTABLE	AJ			IP54	54			PHASE	LPC
										RAL	RAL									DALI	HFX
																				NONE	NON
AIR		1300		DW		DW		F		WH		FD		FG		20		FG			HFA

\* Frosted glass is standard in DW with IP 20 it is in the engine. IP54 is the reflector. Order driver separately accd 1900/E50/350/50W/DALI/DUAL/IP20

## FREQUENTLY SPECIFIED

PRODUCT DESCRIPTION	CODE
AIR 1300-DW DW F BK AJ FG 20 NON	21005593
AIR 1300-DW DW F WH FD FG 20 NON	21005567
AIR 1300-DW DW WF WH FD FG 20 NON	21005568

PRODUCT DESCRIPTION	CODE
AIR 1300-DW DW F WH AJ FG 20 NON	21005589
AIR 1300-DW DW WF WH AJ FG 20 NON	21005590
AIR 1300-DW DW WF WH FD 54 FG NON	21005580





# AIR MINI

## CHOOSE LIFE

AIR MINI is the smaller family member to AIR. Both use the power of light to emphasise the unique spirit of an internal space.

These little gems complement their bigger relative and enhance the use of our interior space.

AIR and AIR MINI work together to create mood, give character to an interior and influence the way we experience and live our lives.

[136. LED 600](#)

[140. NARROW BEAM](#)

[144. LED 1000](#)

[148. WARMZERO](#)

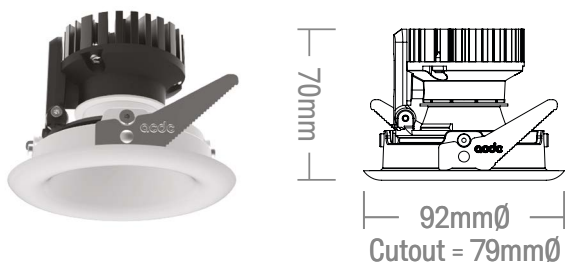


# AIR MINI LED 600 80CRI

**RECESSED ROUND ARCHITECTURAL DOWNLIGHTS  
AVAILABLE IN FIXED AND ADJUSTABLE OPTIONS**

**IP54 - FIXED / IP20 - ADJUSTABLE**

FIXED



ADJUSTABLE: 25° TILT



## FEATURES

**Minimalistic Design:** Soft edge trim design, incredibly compact and beautifully designed to blend seamlessly within the architectural environment. Adjustable tilts up to 25° and rotates 355° allowing complete control of the light and quick and simple hot focusing on site. Click in place reflector for simple and rapid installation. When adjusted our unique offset pivot point allows the beam to be directed without any light loss.

**Clean Beam Design (CBD) with wide optic choices:** AIR MINI's single point light source design, efficient interchangeable optics and internal detailing of the luminaire have been engineered to ensure outstanding control of the beam angle and the cleanliness of the overall lit effect, without stray light or unpleasant imaging.

**Broad choice as standard:** AIR MINI is available in fixed and adjustable options. The range has a selection of beam angles with its highly efficient optics and includes a variety of colour temperatures. AIR MINI and NOVUS MINI downlights are interchangeable and offer a soft trim or clean straight trim to suit the individual design. AIR MINI 600 colour rendering is at the highest level with an 80CRI or 90CRI choice.

**Installation and mounting:** Installation ring has been designed to ensure a quick first fix installation. The click in reflector allows for the removal of the light engine without any hassle.

## GLOBAL APPLICATION

Illuminating areas for hospitality, retail and residential. They are suitable for indoor applications with IP54 and IP20 and for use in ambient temperatures ranging from -20°/+50°C. Providing a level of safeguard when used in extreme and challenging environments.

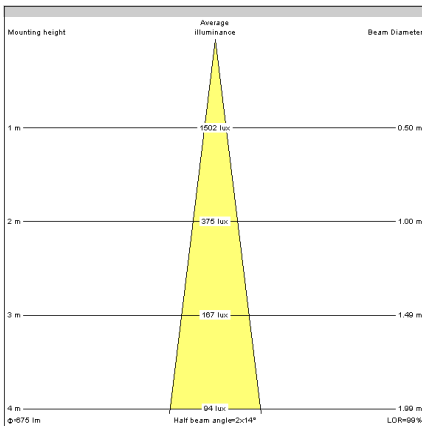




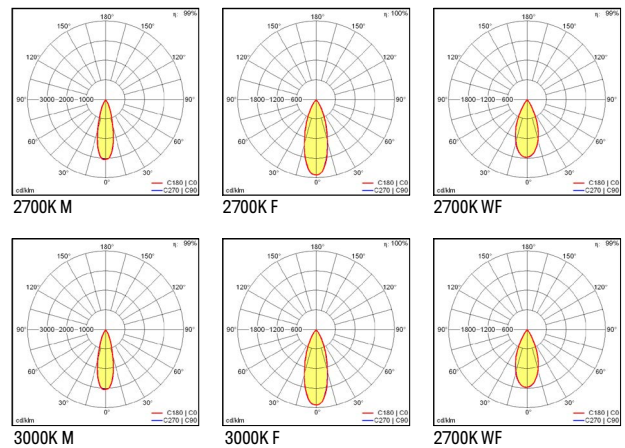
## LIGHT SOURCE INFO

ENGINE TYPE	CRI	OPTIC	COLOUR TEMP (K)	LUMINAIRE LUMEN OUTPUT (lm)	LUMINAIRE LUMENS PER CIRCUIT WATT (lm/cW)	POWER CONSUMPTION. INCLUDING 85% EFFICIENT DRIVER (W)	LIFETIME L70. BASED ON TM-21	COLOUR CONSISTENCY
LED 600	80	MEDIUM	2700	630	90.0	7	>50,000 HOURS	2 STEP MACADAM ELLIPSE
	80		3000	675	96.4	7		
	80		4000	695	99.3	7		
	80		5000	728	104.0	7		

## CONE DIAGRAM



## POLAR PLOT



## BUILD YOUR PRODUCT

PRODUCT		LUMEN OUTPUT		COLOUR TEMPERATURE		LIGHT ENGINE		OPTICS		REFLECTOR		VARIANT		ACCESSORIES		PROTECTION		IP54 ACCESSORY		DRIVER	
AIR MINI	AIRM	700	700	2700K	-827	600	6C	MEDIUM 25°	M	WHITE	WH	FIXED	FD	HONEYCOMB LOUVRE	HL	IP20	20	CLEAR GLASS	CG	SWITCHED	HF
				3000K	-830			FLOOD 33°	F	BLACK	BK	ADJUSTABLE	AJ	FROSTED GLASS	FG	IP54	54	FROSTED GLASS	FG	1-10V	HFA
				4000K	-840			WIDE FLOOD 45°	WF	RAL	RAL			NONE						PHASE	LPC
				5000K	-850															DALI	HFX
																				NONE	NON
	AIRM		700		-827		6C		M		WH		FD		HL		20		CG		HF

DMX option available to run multiple fittings - order separately

## AIR MINI EXTRAS



**HONEYCOMB LOUVRE**  
(included in fitting. Can be ordered as separate engine accessory.)



**FROSTED GLASS**  
(included in fitting. Can be ordered as separate engine accessory.)

## FREQUENTLY SPECIFIED

PRODUCT DESCRIPTION	CODE
AIRM 700-827 6C M WH AJ 20 HFA	21003295
AIRM 700-827 NB N WH FD 20 HFX	21006511
AIRM 700-827 6C F BK AJ 20 HF	21003707

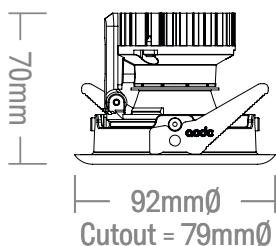
PRODUCT DESCRIPTION	CODE
AIRM 700-830 6C F BK FD 20 HFX	21006364
AIRM 700-830 6C WF WH FD 20 HFX	21006342
AIRM 700-830 6C M WH AJ 20 HFA	21003299

# AIR MINI LED 600 90CRI

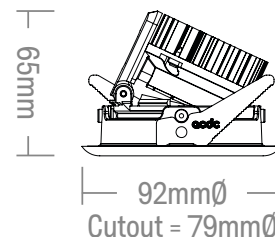
**RECESSED ROUND ARCHITECTURAL DOWNLIGHTS  
AVAILABLE IN FIXED AND ADJUSTABLE OPTIONS**

**IP54 - FIXED / IP20 - ADJUSTABLE**

FIXED



ADJUSTABLE: 25° TILT



## FEATURES

**Minimalistic Design:** Soft edge trim design, incredibly compact and beautifully designed to blend seamlessly within the architectural environment. Adjustable tilts up to 25° and rotates 355° allowing complete control of the light and quick and simple hot focusing on site. Click in place reflector for simple and rapid installation. When adjusted our unique offset pivot point allows the beam to be directed without any light loss.

**Clean Beam Design (CBD) with wide optic choices:** AIR MINI's single point light source design, efficient interchangeable optics and internal detailing of the luminaire have been engineered to ensure outstanding control of the beam angle and the cleanliness of the overall lit effect, without stray light or unpleasant imaging.

**Broad choice as standard:** AIR MINI is available in fixed and adjustable options. The range has a selection of beam angles with its highly efficient optics and includes a variety of colour temperatures. AIR MINI and NOVUS MINI downlights are interchangeable and offer a soft trim or clean straight trim to suit the individual design. AIR MINI 600 colour rendering is at the highest level with an 80CRI or 90CRI choice.

**Installation and mounting:** Installation ring has been designed to ensure a quick first fix installation. The click in reflector allows for the removal of the light engine without any hassle.

**Complete Glare Control:** Single point light source combined with a deep recessed LED position gives you the ultimate in user comfort and complete glare control. Additional accessories are available in the form of a honeycomb louvre and frosted glass for those applications that need a little more help.

## GLOBAL APPLICATION

Illuminating areas for hospitality, retail and residential. They are suitable for indoor applications with IP54 and IP20 and for use in ambient temperatures ranging from -20°/+50°C. Providing a level of safeguard when used in extreme and challenging environments.



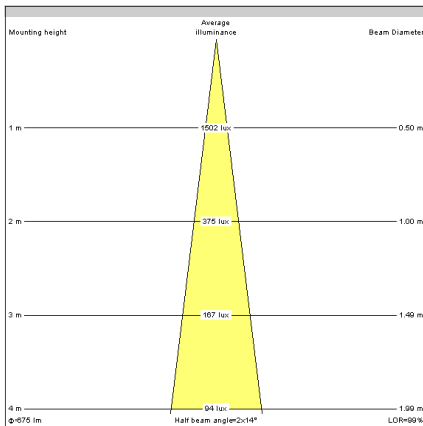




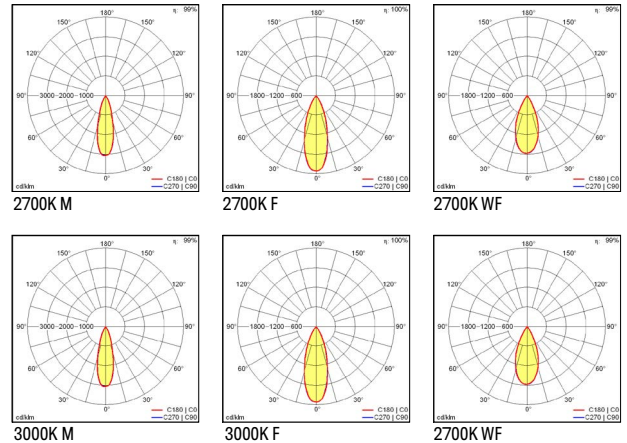
## LIGHT SOURCE INFO

ENGINE TYPE	CRI	OPTIC	COLOUR TEMP (K)	LUMINAIRE LUMEN OUTPUT (lm)	LUMINAIRE LUMENS PER CIRCUIT WATT (lm/cW)	POWER CONSUMPTION, INCLUDING 85% EFFICIENT DRIVER (W)	LIFETIME L70, BASED ON TM-21	COLOUR CONSISTENCY
LED 600	90	MEDIUM	2700	547	78.1	7	>50,000 HOURS	2 STEP MACADAM ELLIPSE
	90		3000	586	83.7	7		
	90		4000	603	86.1	7		
	90		5000	632	90.3	7		

## CONE DIAGRAM



## POLAR PLOT



## BUILD YOUR PRODUCT

PRODUCT		LUMEN OUTPUT		COLOUR TEMPERATURE		LIGHT ENGINE		OPTICS		REFLECTOR		VARIANT		ACCESSORIES		PROTECTION		IP54 ACCESSORY		DRIVER															
AIR MINI	AIRM	600	600	2700K	-927	600	6C	MEDIUM 25°	M	WHITE	WH	FIXED	FD	HONEYCOMB LOUVRE	HL	IP20	20	CLEAR GLASS	CG	SWITCHED	HF														
				3000K	-930			FLOOD 33°	F	BLACK	BK	ADJUSTABLE	AJ	FROSTED GLASS	FG	IP54	54	FROSTED GLASS	FG	1-10V	HFA														
				4000K	-940			WIDE FLOOD 45°	WF	RAL	RAL	NONE													PHASE	LPC									
				5000K	-950																				DALI	HFX									

DMX option available to run multiple fittings - order separately

## AIR MINI EXTRAS



**HONEYCOMB LOUVRE**  
(included in fitting. Can be ordered as separate engine accessory.)



**FROSTED GLASS**  
(included in fitting. Can be ordered as separate engine accessory.)

## FREQUENTLY SPECIFIED

PRODUCT DESCRIPTION	CODE
AIRM 600-927 6C M WH AJ 20 HFX	21006492
AIRM 600-927 6C F BK AJ 20 HF	21003708
AIRM 600-927 6C WF WH FD 20 HFX	21006337

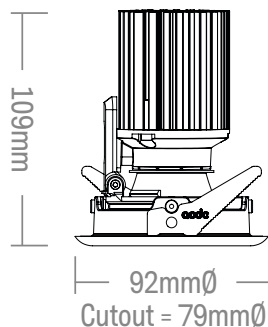
PRODUCT DESCRIPTION	CODE
AIRM 600-927 6C M WH FD 20 HF	21003225
AIRM 600-930 6C M WH FD 20 HFX	21006344
AIRM 600-930 6C M WH AJ 20 HF	21003241

# AIR MINI NB 600 80CRI

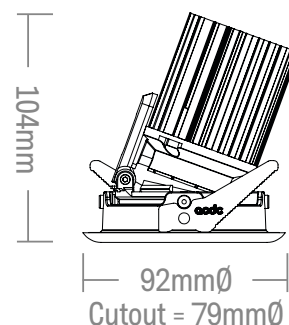
**RECESSED ROUND ARCHITECTURAL DOWNLIGHTS  
AVAILABLE IN FIXED AND ADJUSTABLE OPTIONS**

**IP54 - FIXED / IP20 - ADJUSTABLE**

FIXED



ADJUSTABLE: 25° TILT



## FEATURES

**Minimalistic Design:** Soft edge trim design, incredibly compact and beautifully designed to blend seamlessly within the architectural environment. Adjustable tilts up to 25° and rotates 355° allowing complete control of the light and quick and simple hot focusing on site. Click in place reflector for simple and rapid installation. When adjusted our unique offset pivot point allows the beam to be directed without any light loss.

**Clean Beam Design (CBD) with wide optic choices:** AIR MINI's single point light source design, efficient interchangeable optics and internal detailing of the luminaire have been engineered to ensure outstanding control of the beam angle and the cleanliness of the overall lit effect, without stray light or unpleasant imaging.

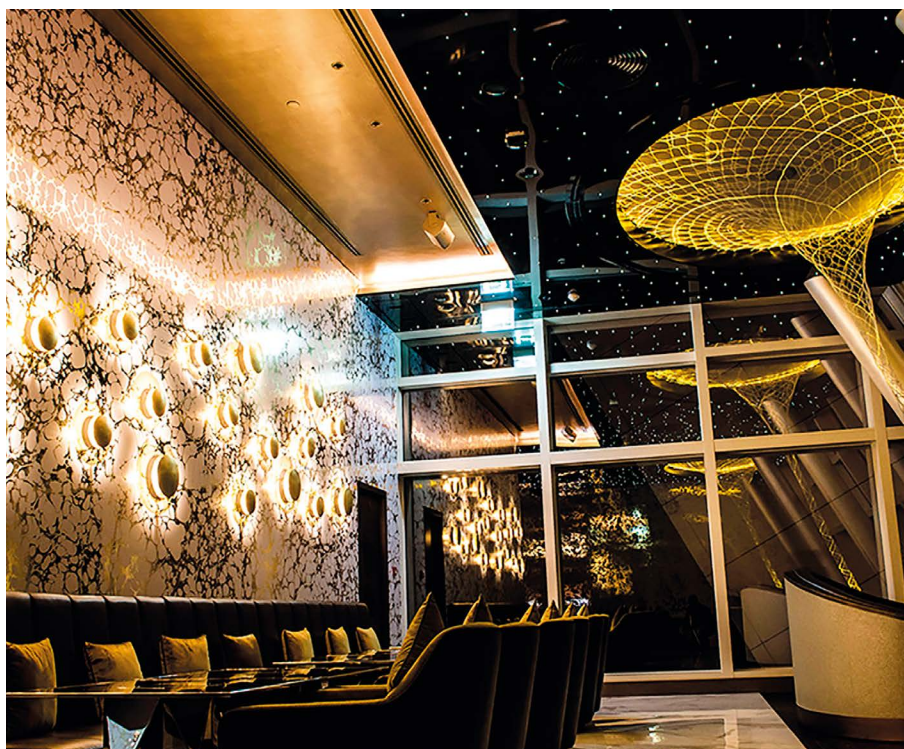
**Broad choice as standard:** AIR MINI is available in fixed and adjustable options. The range has a selection of beam angles with its highly efficient optics including narrow beam. Also includes a variety of colour temperatures. AIR MINI and NOVUS MINI downlights are interchangeable and offer a soft trim or clean straight trim to suit the individual design. AIR MINI narrow beam colour rendering is at the highest level with an 80CRI or 90CRI choice.

**Installation and mounting:** Installation ring has been designed to ensure a quick first fix installation. The click in reflector allows for the removal of the light engine without any hassle.

**Complete Glare Control:** Single point light source combined with a deep recessed LED position gives you the ultimate in user comfort and complete glare control. Additional accessories are available in the form of a honeycomb louvre and frosted glass for those applications that need a little more help.

## GLOBAL APPLICATION

Illuminating areas for hospitality, retail and residential. They are suitable for indoor applications with IP54 and IP20 and for use in ambient temperatures ranging from -20°/+50°C. Providing a level of safeguard when used in extreme and challenging environments.

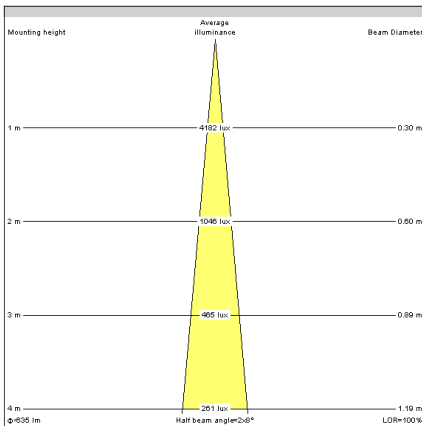




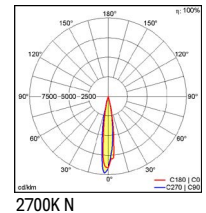
## LIGHT SOURCE INFO

ENGINE TYPE	CRI	OPTIC	COLOUR TEMP (K)	LUMINAIRE LUMEN OUTPUT (lm)	LUMINAIRE LUMENS PER CIRCUIT WATT (lm/cW)	POWER CONSUMPTION. INCLUDING 85% EFFICIENT DRIVER (W)	LIFETIME L70. BASED ON TM-21	COLOUR CONSISTENCY
NB 600	80	NARROW	2700	635	39.2	16.2	>50,000 HOURS	2 STEP MACADAM ELLIPSE
	80		3000	676	41.7	16.2		
	80		4000	759	46.9	16.2		
	80		5000	773	47.7	16.2		

## CONE DIAGRAM



## POLAR PLOT



## BUILD YOUR PRODUCT

PRODUCT		LUMEN OUTPUT		COLOUR TEMPERATURE		LIGHT ENGINE		OPTICS		REFLECTOR		VARIANT		ACCESSORIES		PROTECTION		IP54 ACCESSORY		DRIVER	
AIR MINI	AIRM	700	700	2700K	-827	NB	NB	NARROW 12°	N	WHITE	WH	FIXED	FD	HONEYCOMB LOUVRE	HL	IP20	20	CLEAR GLASS	CG	SWITCHED	HF
				3000K	-830					BLACK	BK	ADJUSTABLE	AJ	FROSTED GLASS	FG	IP54	54	FROSTED GLASS	FG	1-10V	HFA
				4000K	-840					RAL	RAL			NONE						PHASE	LPC
				5000K	-850															DALI	HFX
																				NONE	NON
	AIRM	700	700	-827	-827	NB	NB	N	N	WH	WH	FD	FD	HL	HL	20	20	CG	CG	HF	HF

DMX option available to run multiple fittings - order separately

## AIR MINI EXTRAS



**HONEYCOMB LOUVRE**  
(included in fitting. Can be ordered as separate engine accessory.)



**FROSTED GLASS**  
(included in fitting. Can be ordered as separate engine accessory.)

## FREQUENTLY SPECIFIED

PRODUCT DESCRIPTION	CODE
AIRM 700-827 NB N WH FD 20 HF	21003231
AIRM 700-827 NB N BK AJ 20 HF	21003303
AIRM 700-827 NB N WH FD 20 LPC	21003371

PRODUCT DESCRIPTION	CODE
AIRM 700-830 NB N WH FD 20 HFX	21006515
AIRM 700-830 NB N BK AJ 20 HF	21003305
AIRM 700-830 NB N WH FD HL 20 HFX	21006514

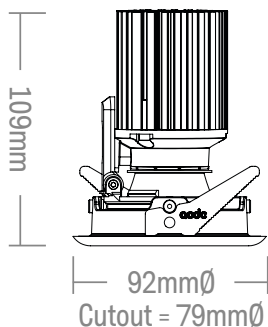


# AIR MINI NB 600 90CRI

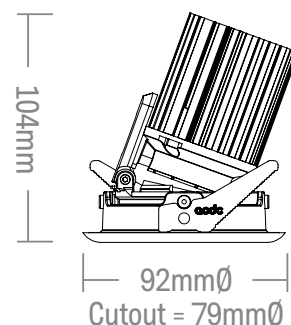
**RECESSED ROUND ARCHITECTURAL DOWNLIGHTS  
AVAILABLE IN FIXED AND ADJUSTABLE OPTIONS**

**IP54 - FIXED / IP20 - ADJUSTABLE**

FIXED



ADJUSTABLE: 25° TILT



## FEATURES

**Minimalistic Design:** Soft edge trim design, incredibly compact and beautifully designed to blend seamlessly within the architectural environment. Adjustable tilts up to 25° and rotates 355° allowing complete control of the light and quick and simple hot focusing on site. Click in place reflector for simple and rapid installation. When adjusted our unique offset pivot point allows the beam to be directed without any light loss.

**Clean Beam Design (CBD) with wide optic choices:** AIR MINI's single point light source design, efficient interchangeable optics and internal detailing of the luminaire have been engineered to ensure outstanding control of the beam angle and the cleanliness of the overall lit effect, without stray light or unpleasant imaging.

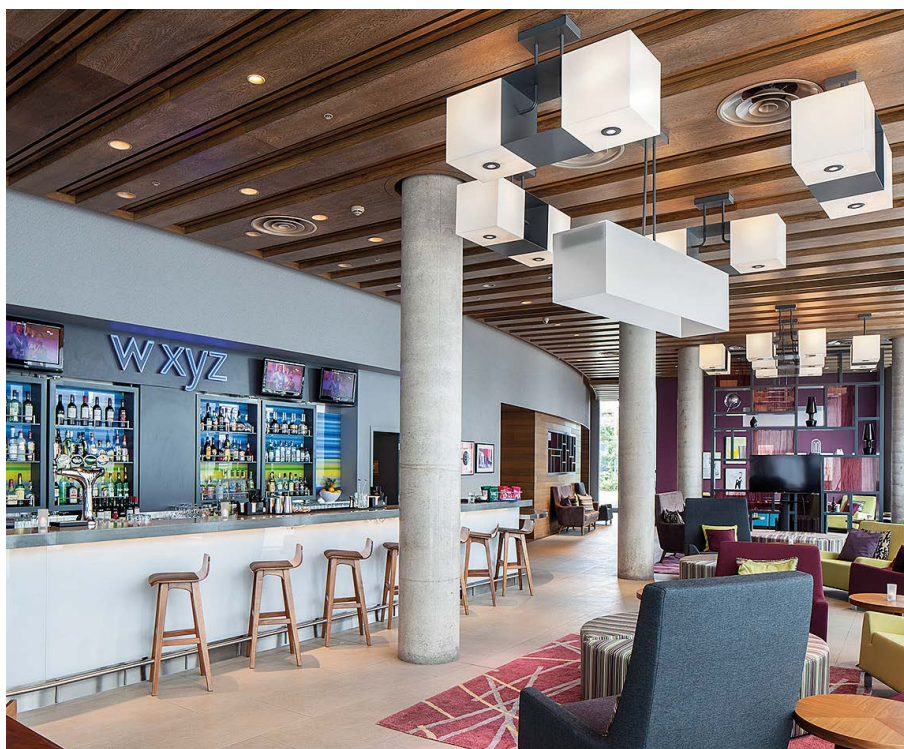
**Broad choice as standard:** AIR MINI is available in fixed and adjustable options. The range has a selection of beam angles with its highly efficient optics including narrow beam. Also includes a variety of colour temperatures. AIR MINI and NOVUS MINI downlights are interchangeable and offer a soft trim or clean straight trim to suit the individual design. AIR MINI narrow beam colour rendering is at the highest level with an 80CRI or 90CRI choice.

**Installation and mounting:** Installation ring has been designed to ensure a quick first fix installation. The click in reflector allows for the removal of the light engine without any hassle.

**Complete Glare Control:** Single point light source combined with a deep recessed LED position gives you the ultimate in user comfort and complete glare control. Additional accessories are available in the form of a honeycomb louvre and frosted glass for those applications that need a little more help.

## GLOBAL APPLICATION

Illuminating areas for hospitality, retail and residential. They are suitable for indoor applications with IP54 and IP20 and for use in ambient temperatures ranging from -20°/+50°C. Providing a level of safeguard when used in extreme and challenging environments.

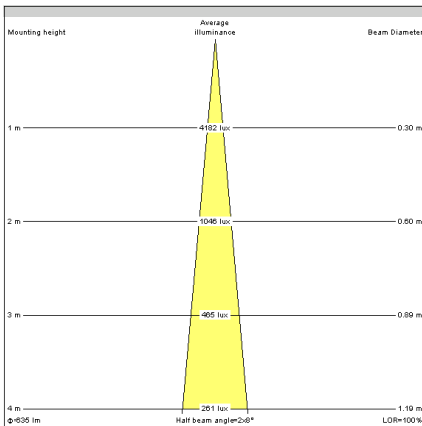




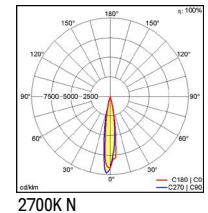
## LIGHT SOURCE INFO

ENGINE TYPE	CRI	OPTIC	COLOUR TEMP (K)	LUMINAIRE LUMEN OUTPUT (lm)	LUMINAIRE LUMENS PER CIRCUIT WATT (lm/cW)	POWER CONSUMPTION. INCLUDING 85% EFFICIENT DRIVER (W)	LIFETIME L70. BASED ON TM-21	COLOUR CONSISTENCY
NB 600	90	NARROW	2700	551	34.0	16.2	>50,000 HOURS	2 STEP MACADAM ELLIPSE
	90		3000	587	36.2	16.2		
	90		4000	659	40.7	16.2		
	90		5000	671	41.4	16.2		

## CONE DIAGRAM



## POLAR PLOT



## BUILD YOUR PRODUCT

PRODUCT		LUMEN OUTPUT		COLOUR TEMPERATURE		LIGHT ENGINE		OPTICS		REFLECTOR		VARIANT		ACCESSORIES		PROTECTION		IP54 ACCESSORY		DRIVER	
AIR MINI	AIRM	600	600	2700K	-927	NB	NB	NARROW 12°	N	WHITE	WH	FIXED	FD	HONEYCOMB LOUVRE	HL	IP20	20	CLEAR GLASS	CG	SWITCHED	HF
				3000K	-930					BLACK	BK	ADJUSTABLE	AJ	FROSTED GLASS	FG	IP54	54	FROSTED GLASS	FG	1-10V	HFA
				4000K	-940					RAL	RAL			NONE						PHASE	LPC
				5000K	-950															DALI	HFX
																				NONE	NON
	AIRM		600		-927		NB		N		WH		FD		HL		20		CG		HF

DMX option available to run multiple fittings - order separately

## AIR MINI EXTRAS



**HONEYCOMB LOUVRE**  
(included in fitting. Can be ordered as separate engine accessory.)



**FROSTED GLASS**  
(included in fitting. Can be ordered as separate engine accessory.)

## FREQUENTLY SPECIFIED

PRODUCT DESCRIPTION	CODE
AIRM 600-927 NB N WH FD 20 HF	21003232
AIRM 600-927 NB N BK FD 54 CG HFX	21006551
AIRM 600-927 NB N WH FD 20 LPC	21003372

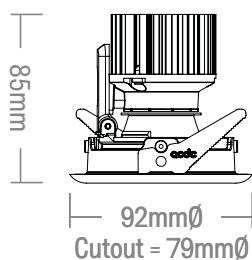
PRODUCT DESCRIPTION	CODE
AIRM 600-927 NB N WH FD 20 LPC	21003372
AIRM 600-930 NB N WH AJ 20 HF	21003254
AIRM 600-930 NB N WH FD HL 20 HFX	21006516

# AIR MINI LED 1000 80CRI

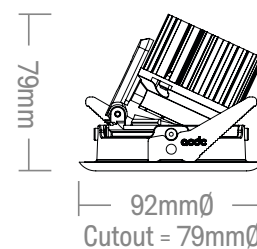
**RECESSED ROUND ARCHITECTURAL DOWNLIGHTS  
AVAILABLE IN FIXED AND ADJUSTABLE OPTIONS**

**IP54 - FIXED / IP20 - ADJUSTABLE**

FIXED



ADJUSTABLE: 25° TILT



## FEATURES

**Minimalistic Design:** Soft edge trim design, incredibly compact and beautifully designed to blend seamlessly within the architectural environment. Adjustable tilts up to 25° and rotates 355° allowing complete control of the light and quick and simple hot focusing on site. Click in place reflector for simple and rapid installation. When adjusted our unique offset pivot point allows the beam to be directed without any light loss.

**Clean Beam Design (CBD) with wide optic choices:** AIR MINI's single point light source design, efficient interchangeable optics and internal detailing of the luminaire have been engineered to ensure outstanding control of the beam angle and the cleanliness of the overall lit effect, without stray light or unpleasant imaging.

**Broad choice as standard:** AIR MINI is available in fixed and adjustable options. The range has a selection of beam angles with its highly efficient optics and includes a variety of colour temperatures. AIR MINI and NOVUS MINI downlights are interchangeable and offer a soft trim or clean straight trim to suit the individual design. AIR MINI 1000 colour rendering is at the highest level with an 80CRI or 90CRI choice.

**Installation and mounting:** Installation ring has been designed to ensure a quick first fix installation. The click in reflector allows for the removal of the light engine without any hassle.

## GLOBAL APPLICATION

**Complete Glare Control:** Single point light source combined with a deep recessed LED position gives you the ultimate in user comfort and complete glare control. Additional accessories are available in the form of a honeycomb louvre and frosted glass for those applications that need a little more help.

Illuminating areas for hospitality, retail and residential. They are suitable for indoor applications with IP54 and IP20 and for use in ambient temperatures ranging from -20°/+50°C. Providing a level of safeguard when used in extreme and challenging environments.



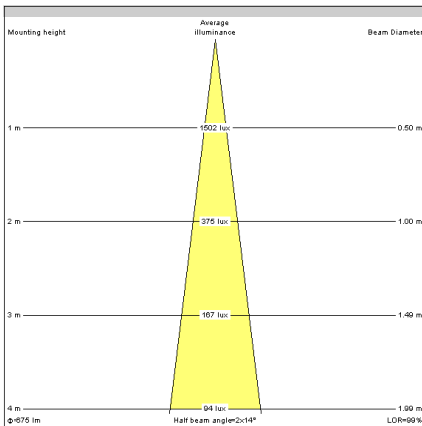




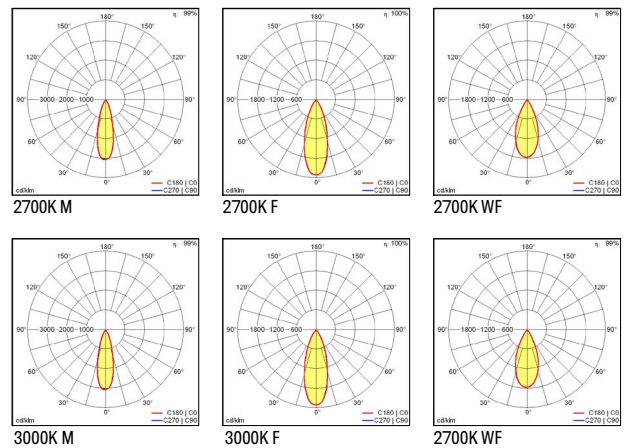
## LIGHT SOURCE INFO

ENGINE TYPE	CRI	OPTIC	COLOUR TEMP (K)	LUMINAIRE LUMEN OUTPUT (lm)	LUMINAIRE LUMENS PER CIRCUIT WATT (lm/cW)	POWER CONSUMPTION, INCLUDING 85% EFFICIENT DRIVER (W)	LIFETIME L70, BASED ON TM-21	COLOUR CONSISTENCY
LED 1000 S	80	MEDIUM	2700	952	75.6	12.6	>50,000 HOURS	2 STEP MACADAM ELLIPSE
	80		3000	1094	86.8	12.6		
	80		4000	1127	89.4	12.6		
	80		5000	995	79.0	12.6		

## CONE DIAGRAM



## POLAR PLOT



## BUILD YOUR PRODUCT

PRODUCT		LUMEN OUTPUT		COLOUR TEMPERATURE		LIGHT ENGINE		OPTICS		REFLECTOR		VARIANT		ACCESSORIES		PROTECTION		IP54 ACCESSORY		DRIVER	
AIR MINI	AIRM	1100	1100	2700K	-827	1000	1K	MEDIUM 25°	M	WHITE	WH	FIXED	FD	HONEYCOMB LOUVRE	HL	IP20	20	CLEAR GLASS	CG	SWITCHED	HF
				3000K	-830			FLOOD 33°	F	BLACK	BK	ADJUSTABLE	AJ	FROSTED GLASS	FG	IP54	54	FROSTED GLASS	FG	1-10V	HFA
				4000K	-840			WIDE FLOOD 45°	WF	RAL	RAL			NONE						DALI	HFX
				5000K	-850															NONE	NON
	AIRM		1100		-827		1K		M		WH		FD		HL		20		CG		HF

DMX option available to run multiple fittings - order separately

## AIR MINI EXTRAS



**HONEYCOMB LOUVRE**  
(included in fitting. Can be ordered as separate engine accessory.)



**FROSTED GLASS**  
(included in fitting. Can be ordered as separate engine accessory.)

## FREQUENTLY SPECIFIED

PRODUCT DESCRIPTION	CODE
AIRM 700-830 6C WF WH FD 20 HF	21003228
AIRM 700-827 6C WF WH FD HL 20 HFX	21006331
AIRM 700-830 6C F BK FD 20 HF	21003701

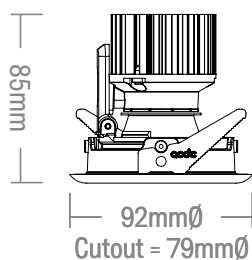
PRODUCT DESCRIPTION	CODE
AIRM 700-827 6C F WH AJ 20 HF	21003695
AIRM 1100-830 1K WF WH FD 54 FG HFX	21006680
AIRM 1100-827 1K F WH AJ 20 HF	21003631

# AIR MINI LED 1000 90CRI

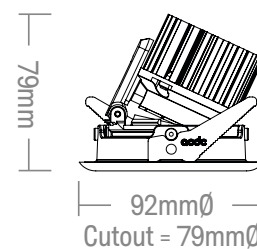
**RECESSED ROUND ARCHITECTURAL DOWNLIGHTS  
AVAILABLE IN FIXED AND ADJUSTABLE OPTIONS**

**IP54 - FIXED / IP20 - ADJUSTABLE**

FIXED



ADJUSTABLE: 25° TILT



## FEATURES

**Minimalistic Design:** Soft edge trim design, incredibly compact and beautifully designed to blend seamlessly within the architectural environment. Adjustable tilts up to 25° and rotates 355° allowing complete control of the light and quick and simple hot focusing on site. Click in place reflector for simple and rapid installation. When adjusted our unique offset pivot point allows the beam to be directed without any light loss.

**Clean Beam Design (CBD) with wide optic choices:** AIR MINI's single point light source design, efficient interchangeable optics and internal detailing of the luminaire have been engineered to ensure outstanding control of the beam angle and the cleanliness of the overall lit effect, without stray light or unpleasant imaging.

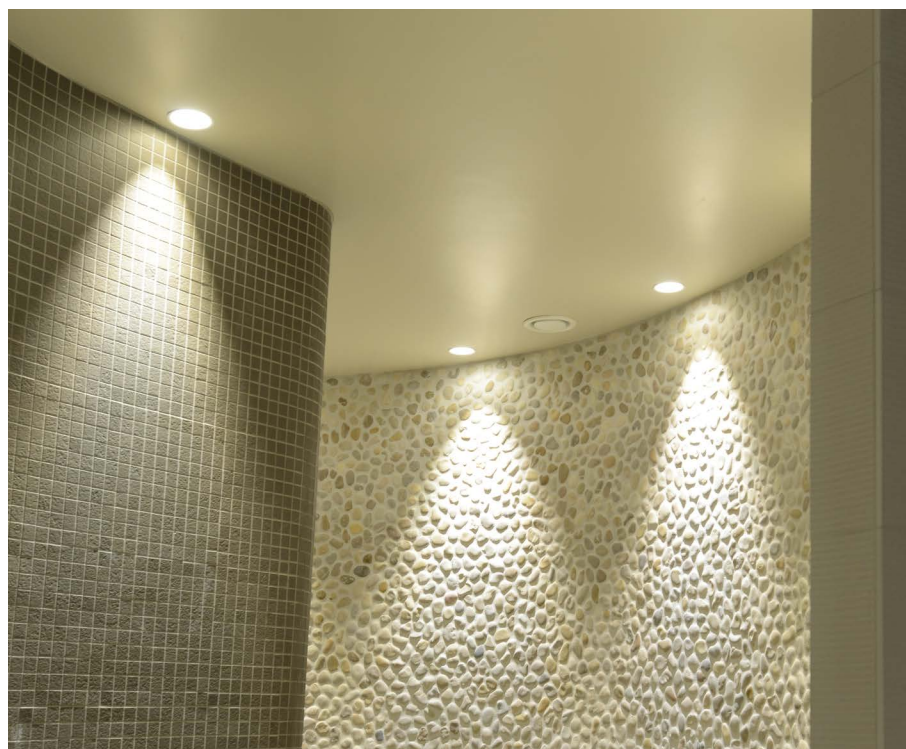
**Broad choice as standard:** AIR MINI is available in fixed and adjustable options. The range has a selection of beam angles with its highly efficient optics and includes a variety of colour temperatures. AIR MINI and NOVUS MINI downlights are interchangeable and offer a soft trim or clean straight trim to suit the individual design. AIR MINI 1000 colour rendering is at the highest level with an 80CRI or 90CRI choice.

**Installation and mounting:** Installation ring has been designed to ensure a quick first fix installation. The click in reflector allows for the removal of the light engine without any hassle.

**Complete Glare Control:** Single point light source combined with a deep recessed LED position gives you the ultimate in user comfort and complete glare control. Additional accessories are available in the form of a honeycomb louvre and frosted glass for those applications that need a little more help.

## GLOBAL APPLICATION

Illuminating areas for hospitality, retail and residential. They are suitable for indoor applications with IP54 and IP20 and for use in ambient temperatures ranging from -20°/+50°C. Providing a level of safeguard when used in extreme and challenging environments.

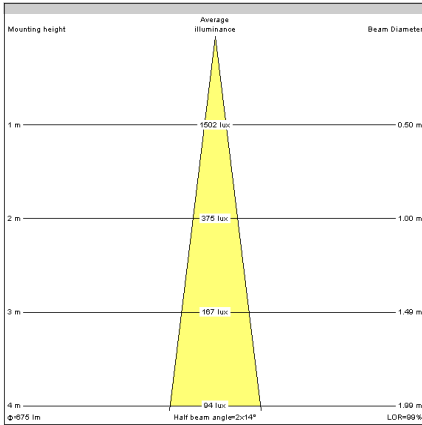




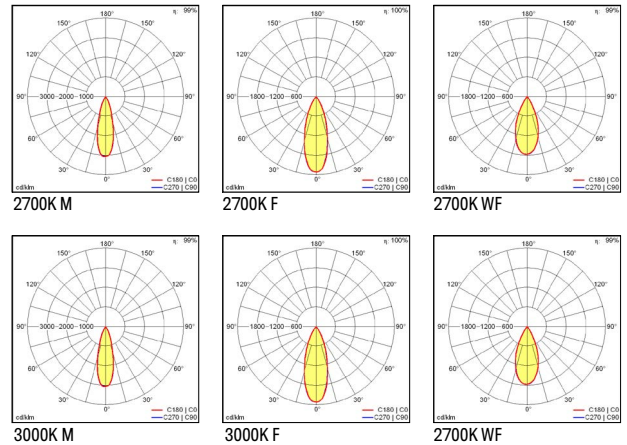
## LIGHT SOURCE INFO

ENGINE TYPE	CRI	OPTIC	COLOUR TEMP (K)	LUMINAIRE LUMEN OUTPUT (lm)	LUMINAIRE LUMENS PER CIRCUIT WATT (lm/cW)	POWER CONSUMPTION, INCLUDING 85% EFFICIENT DRIVER (W)	LIFETIME L70, BASED ON TM-21	COLOUR CONSISTENCY
LED 1000 S	90	Medium	2700	826	65.6	12.6	>50,000 HOURS	2 STEP MACADAM ELLIPSE
	90		3000	950	75.4	12.6		
	90		4000	978	77.6	12.6		
	90		5000	864	68.6	12.6		

## CONE DIAGRAM



## POLAR PLOT



## BUILD YOUR PRODUCT

PRODUCT		LUMEN OUTPUT		COLOUR TEMPERATURE		LIGHT ENGINE		OPTICS		REFLECTOR		VARIANT		ACCESSORIES		PROTECTION		IP54 ACCESSORY		DRIVER	
AIR MINI	AIRM	1000	1000	2700K	-927	1000	1K	MEDIUM 25°	M	WHITE	WH	FIXED	FD	HONEYCOMB LOUVRE	HL	IP20	20	CLEAR GLASS	CG	SWITCHED	HF
				3000K	-930			FLOOD 33°	F	BLACK	BK	ADJUSTABLE	AJ	FROSTED GLASS	FG	IP54	54	FROSTED GLASS	FG	1-10V	HFA
				4000K	-940			WIDE FLOOD 45°	WF	RAL	RAL			NONE						DALI	HFX
				5000K	-950																
	AIRM		1000		-927		1K		M		WH		FD		HL		20		CG		HF

DMX option available to run multiple fittings - order separately

## AIR MINI EXTRAS



**HONEYCOMB LOUVRE**  
(included in fitting. Can be ordered as separate engine accessory.)



**FROSTED GLASS**  
(included in fitting. Can be ordered as separate engine accessory.)

## FREQUENTLY SPECIFIED

PRODUCT DESCRIPTION	CODE
AIRM 1000-927 1K M WH AJ 20 HFX	21006738
AIRM 1000-927 1K F BK AJ 20 HFX	21006750
AIRM 1000-927 1K WF WH FD 20 HF	21003246

PRODUCT DESCRIPTION	CODE
AIRM 1000-930 1K WF WH FD 20 HFA	21003314
AIRM 1000-930 1K F BK AJ 20 HFX	21006756
AIRM 1000-930 1K WF BK AJ 20 HFX	21006757

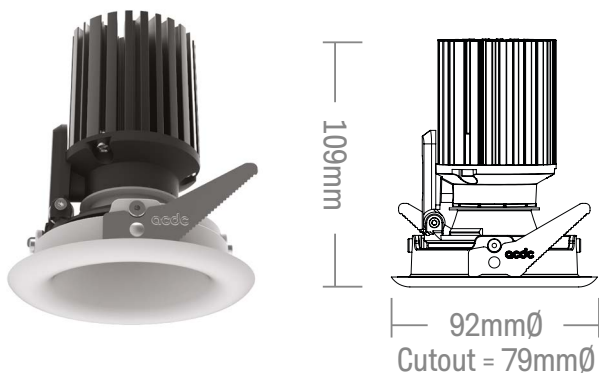


# AIR MINI WARM ZERO

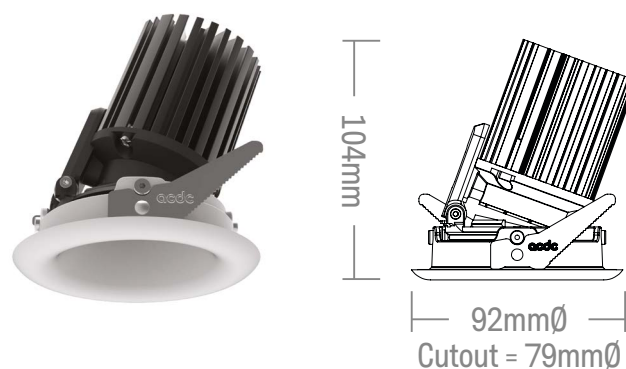
**RECESSED ROUND ARCHITECTURAL DOWNLIGHTS  
AVAILABLE IN FIXED AND ADJUSTABLE OPTIONS**

**IP54 - FIXED / IP20 - ADJUSTABLE**

FIXED



ADJUSTABLE: 25° TILT



## FEATURES

**Minimalistic Design:** Soft edge trim design, incredibly compact and beautifully designed to blend seamlessly within the architectural environment. Adjustable tilts up to 25° and rotates 355° allowing complete control of the light and quick and simple hot focusing on site. Click in place reflector for simple and rapid installation. When adjusted our unique offset pivot point allows the beam to be directed without any light loss.

**Clean Beam Design (CBD) with wide optic choices:** AIR MINI's single point light source design, efficient interchangeable optics and internal detailing of the luminaire have been engineered to ensure outstanding control of the beam angle and the cleanliness of the overall lit effect, without stray light or unpleasant imaging.

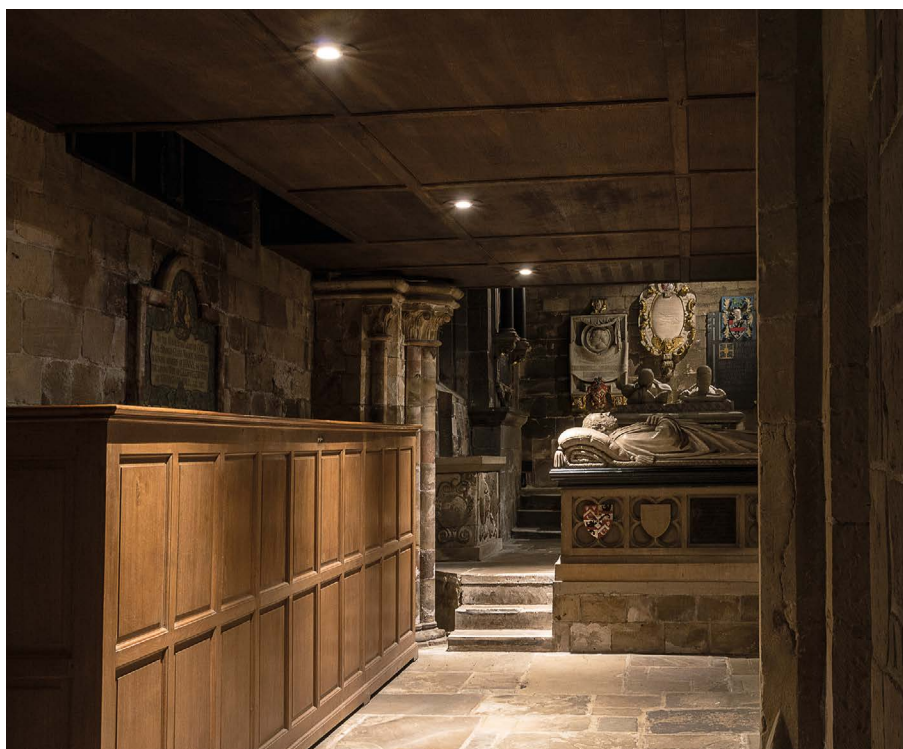
**Broad choice as standard:** AIR MINI has a selection of beam angles with its highly efficient optics and is available with a variety of colour temperatures including Warm Zero which mimics halogen dimming increasing the warmth as the product is dimmed to zero from 1800K to 2700K. AIR MINI and NOVUS MINI downlights are interchangeable and offer a soft trim or clean straight trim to suit the individual design.

**Installation and mounting:** Installation ring has been designed to ensure a quick first fix installation. The click in reflector allows for the removal of the light engine without any hassle.

**Complete Glare Control:** Single point light source combined with a deep recessed LED position gives you the ultimate in user comfort and complete glare control. Additional accessories are available in the form of a honeycomb louvre and frosted glass for those applications that need a little more help.

## GLOBAL APPLICATION

Illuminating areas for hospitality, retail and residential. They are suitable for indoor applications with IP54 and IP20 and for use in ambient temperatures ranging from -20°/+50°C. Providing a level of safeguard when used in extreme and challenging environments.





## LIGHT SOURCE INFO

ENGINE TYPE	CRI	OPTIC	COLOUR TEMP (K)	LUMINAIRE LUMEN OUTPUT (lm)	LUMINAIRE LUMENS PER CIRCUIT WATT (lm/cW)	POWER CONSUMPTION. INCLUDING 85% EFFICIENT DRIVER (W)	LIFETIME L70. BASED ON TM-21	COLOUR CONSISTENCY
WARM ZERO	94	FLOOD	2000	24	7.3	3.3	>50,000 hours	2 Step Macadam Ellipse
	95		2500	347	28.2	12.3		
	95		3000	467	31.1	15		

## BUILD YOUR PRODUCT

PRODUCT		LUMEN OUTPUT		COLOUR TEMPERATURE		LIGHT ENGINE		OPTICS		REFLECTOR		VARIANT		IP20 ACCESSORY		PROTECTION		IP54 ACCESSORY		DRIVER	
AIR MINI	AIRM	400	400	18-27K	-WZ	WZ	WZ	FLOOD 33°	F	WHITE	WH	FIXED	FD	FROSTED GLASS	FG	IP20	20	FROSTED GLASS	FG	1:10V	HFA
								WIDE FLOOD 45°	WF	BLACK	BK	ADJUSTABLE	AJ			IP54	54			PHASE	LPC
										RAL	RAL									DALI	HFX
																				NONE	NON
	AIRM		400		-WZ		WZ		F		WH		FD		FG		20		FG		HFA

DMX option available to run multiple fittings - order separately

## FREQUENTLY SPECIFIED

PRODUCT DESCRIPTION	CODE
AIRM 400-WZ WZ WF WH AJ 20 HFA	21005621
AIRM 400-WZ WZ F BK AJ 20 HFA	21005623
AIRM 400-WZ WZ WF WH FD 20 HFX	21005606

PRODUCT DESCRIPTION	CODE
AIRM 400-WZ WZ WF BK FD 20 HFX	21005610
AIRM 400-WZ WZ WF WH FD 54 CG HFA	21005613
AIRM 400-WZ WZ F WH AJ 20 HFA	21005619









# DARC PRO

## BEAM ME UP

DARC PRO decorates our spaces with light.

Their theatrical beams illuminate us and our environments, creating ambience and drama all in one. They form beautiful pools of light which can lead us in a new direction or make what we already have fascinating.

There are no boundaries to your design with DARC PRO, the only limitation is imagination.

[152. LED 600](#)

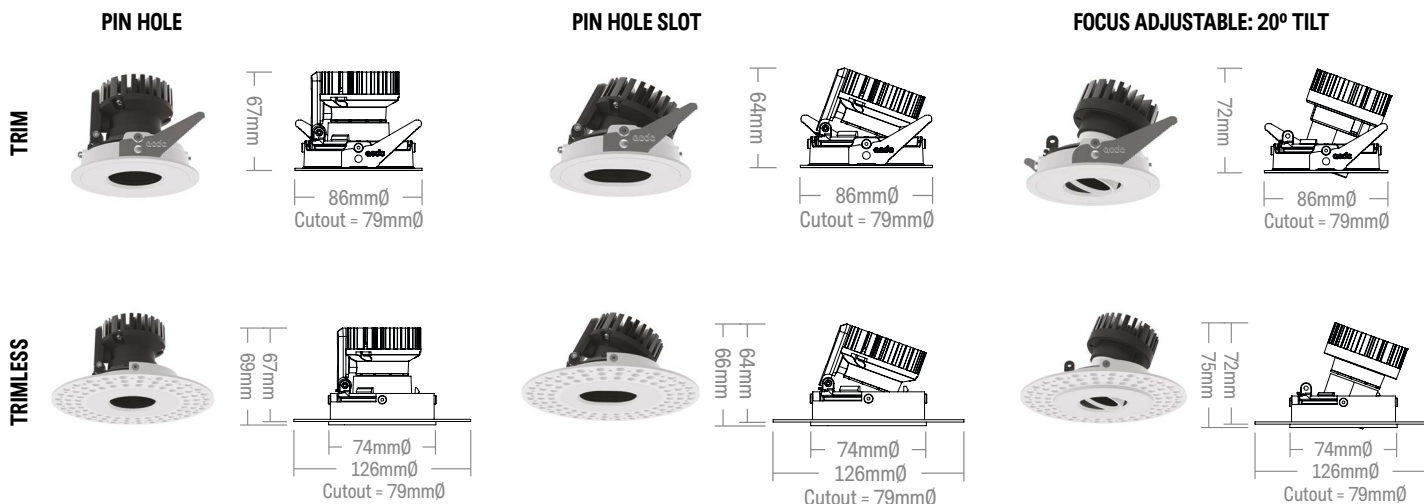
[156. NARROW BEAM](#)

[160. LED 1000](#)

# DARC PRO LED 600 80CRI

A FAMILY OF ROUND DEEP RECESSED LOW GLARE PIN HOLE DOWNLIGHTS. AVAILABLE IN 3 STYLES, PIN HOLE, PIN HOLE SLOT AND FOCUS ADJUSTABLE. 600 AND 1000 LUMEN OPTIONS ARE AVAILABLE

IP54 - FIXED / IP20 - ADJUSTABLE



## FEATURES

**Minimalistic Design:** Flat edge trim design, incredibly compact and beautifully designed to blend seamlessly within the architectural environment. Adjustable tilts up to 25° and rotates 355° allowing complete control of the light and quick and simple hot focusing on site and when adjusted our unique offset pivot point allows the beam to be directed without any light loss.

**Clean Beam Design (CBD) with wide optic choices:** DARC PRO's single point light source design, efficient interchangeable optics and internal detailing of the luminaire has been designed to ensure outstanding control of the beam angle and the cleanliness of the overall lit effect, without stray light or unpleasant imaging.

**Broad choice as standard:** DARC PRO has a medium beam option. Available with a variety of colour temperatures, the fittings are available in pinhole, pinhole slot and focus adjustable for total control and focusing of the light source. DARC PRO colour rendering is at the highest level with a 80CRI.

**Installation and mounting:** Installation ring and click in reflector has been designed to ensure a simple and rapid first fix installation and removal of the light engine without any hassle. We also offer a trimless version if you need to plaster up to the fitting.

**Complete Glare Control:** Single point light source combined with a deep recessed LED position gives you the ultimate in user comfort and complete glare control. Additional accessories are available in the form of a honeycomb louvre and frosted glass for those applications that need a little more help.

## GLOBAL APPLICATION

Illuminating areas for hospitality, retail and residential. They are suitable for indoor applications with IP54 and IP20 and for use in ambient temperatures ranging from -20°/+50°C. Providing a level of safeguard when used in extreme and challenging environments.

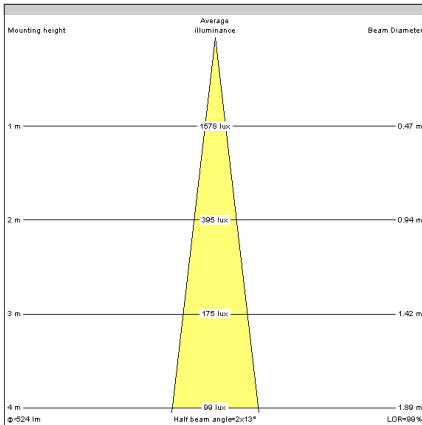




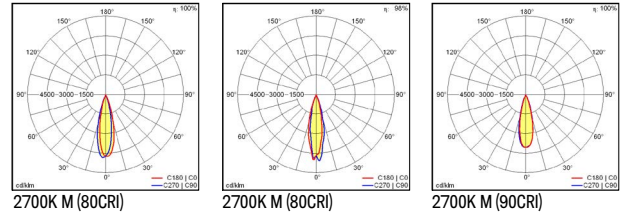
## LIGHT SOURCE INFO

ENGINE TYPE	CRI	OPTIC	COLOUR TEMP (K)	LUMINAIRE LUMEN OUTPUT (lm)	LUMINAIRE LUMENS PER CIRCUIT WATT (lm/cW)	POWER CONSUMPTION, INCLUDING 85% EFFICIENT DRIVER (W)	LIFETIME L70, BASED ON TM-21	COLOUR CONSISTENCY
LED 600	80	MEDIUM	2700	383	54.7	7	>50,000 HOURS	2 STEP MACADAM ELLIPSE
	80		3000	411	58.7	7		
	80		4000	422	60.3	7		
	80		5000	442	63.1	7		

## CONE DIAGRAM



## POLAR PLOT



## BUILD YOUR PRODUCT

PRODUCT		LUMEN OUTPUT		COLOUR TEMP		LIGHT ENGINE		OPTICS		TRIM		REFLECTOR		VARIANT		ACCESSORIES		PROTECTION		IP54 PROTECTION		DRIVERS	
DARC PRO	DPRO	500	500	2700K	-827	600	6C	MEDIUM 25°	M	WHITE	WH	WHITE	WH	PIN HOLE	PH	HONEYCOMB LOUVRE	HL	IP20	20	CLEAR GLASS	CG	SWITCHED	HF
				3000K	-830					BLACK	BK	BLACK	BK	PIN HOLE SLOT	PA			IP54	54	FROSTED GLASS	FG	1-10	HFA
				4000K	-840					TRIMLESS*	TL	RAL	RAL	FOCUS ADJUSTABLE*	FA	FROSTED GLASS	FG					DALI	HFX
				5000K	-850					RAL	RAL					NONE						PHASE	LPC
														* FA - IP 20 only								NONE	NON
	DPRO		500		-827		6C		M		WH		WH		PH		HL		20		CG		HF

DMX option available to run multiple fittings - order separately

### ACCESSORY

TRIMLESS RING	1854
---------------	------

\*Trimless ring ordered separately

## FREQUENTLY SPECIFIED

PRODUCT DESCRIPTION	CODE
DPRO 500-827 6C M WH WH PH 20 HFA	21002975
DPRO 500-827 6C M WH BK PH 54 FG HFX	21009472
DPRO 500-827 6C M WH WH PH 20 HF	21002937

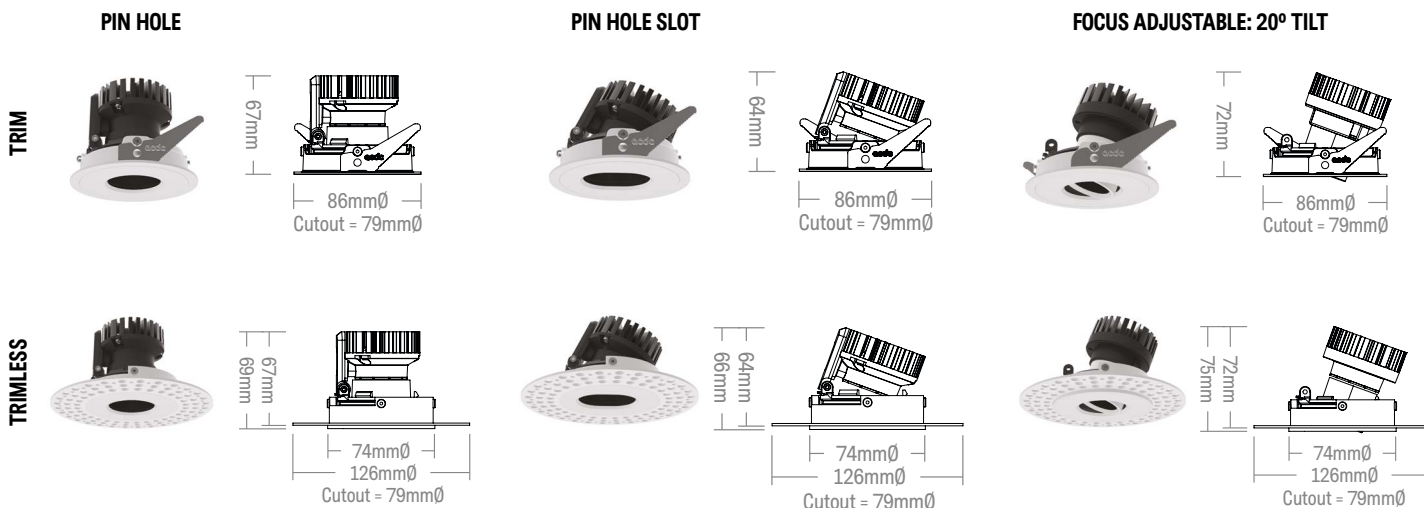
PRODUCT DESCRIPTION	CODE
DPRO 500-827 6C M WH WH PH 20 HF	21002937
DPRO 500-830 6C M WH WH PH 20 HF	21002941



# DARC PRO LED 600 90CRI

A FAMILY OF ROUND DEEP RECESSED LOW GLARE PIN HOLE DOWNLIGHTS. AVAILABLE IN 3 STYLES, PIN HOLE, PIN HOLE SLOT AND FOCUS ADJUSTABLE. 600 AND 1000 LUMEN OPTIONS ARE AVAILABLE

IP54 - FIXED / IP20 - ADJUSTABLE



## FEATURES

**Minimalistic Design:** Flat edge trim design, incredibly compact and beautifully designed to blend seamlessly within the architectural environment. Adjustable tilts up to 25° and rotates 355° allowing complete control of the light and quick and simple hot focusing on site and when adjusted our unique offset pivot point allows the beam to be directed without any light loss.

**Clean Beam Design (CBD) with wide optic choices:** DARC PRO's single point light source design, efficient interchangeable optics and internal detailing of the luminaire has been designed to ensure outstanding control of the beam angle and the cleanliness of the overall lit effect, without stray light or unpleasant imaging.

**Broad choice as standard:** DARC PRO has a medium beam option. Available with a variety of colour temperatures, the fittings are available in pinhole, pinhole slot and focus adjustable for total control and focusing of the light source. DARC PRO colour rendering is at the highest level with a 90CRI.

**Installation and mounting:** Installation ring and click in reflector has been designed to ensure a simple and rapid first fix installation and removal of the light engine without any hassle. We also offer a trimless version if you need to plaster up to the fitting.

**Complete Glare Control:** Single point light source combined with a deep recessed LED position gives you the ultimate in user comfort and complete glare control. Additional accessories are available in the form of a honeycomb louvre and frosted glass for those applications that need a little more help.

## GLOBAL APPLICATION

Illuminating areas for hospitality, retail and residential. They are suitable for indoor applications with IP54 and IP20 and for use in ambient temperatures ranging from -20°/+50°C. Providing a level of safeguard when used in extreme and challenging environments.

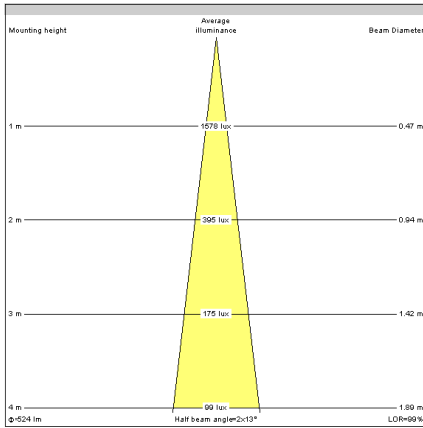




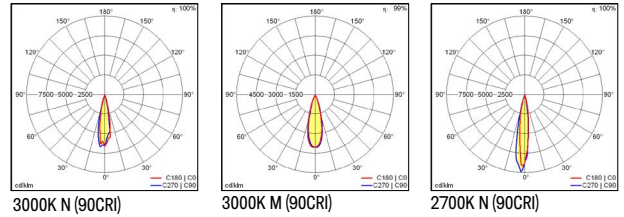
## LIGHT SOURCE INFO

ENGINE TYPE	CRI	OPTIC	COLOUR TEMP (K)	LUMINAIRE LUMEN OUTPUT (lm)	LUMINAIRE LUMENS PER CIRCUIT WATT (lm/cW)	POWER CONSUMPTION, INCLUDING 85% EFFICIENT DRIVER (W)	LIFETIME L70, BASED ON TM-21	COLOUR CONSISTENCY
LED 600	90	MEDIUM	2700	332	47.4	7	>50,000 HOURS	2 STEP MACADAM ELLIPSE
	90		3000	356	50.9	7		
	90		4000	366	52.3	7		
	90		5000	383	54.7	7		

## CONE DIAGRAM



## POLAR PLOT



## BUILD YOUR PRODUCT

PRODUCT		LUMEN OUTPUT		COLOUR TEMP		LIGHT ENGINE		OPTICS		TRIM		REFLECTOR		VARIANT		ACCESSORIES		PROTECTION		IP54 PROTECTION		DRIVERS	
DARC PRO	DPRO	460	460	2700K	-927	600	6C	MEDIUM 25°	M	WHITE	WH	WHITE	WH	PIN HOLE	PH	HONEYCOMB LOUVRE	HL	IP20	20	CLEAR GLASS	CG	SWITCHED	HF
				3000K	-930					BLACK	BK	BLACK	BK	PIN HOLE SLOT	PA			IP54	54	FROSTED GLASS	FG	1-10	HFA
				4000K	-940					TRIMLESS*	TL	RAL	RAL	FOCUS ADJUSTABLE*	FA	FROSTED GLASS	FG					DALI	HFX
				5000K	-950					RAL	RAL					NONE						PHASE	LPC
														* FA - IP 20 only								NONE	NON
	DPRO		460		-927		6C		M		WH		WH		PH		HL		20		CG		HF

DMX option available to run multiple fittings - order separately

### ACCESSORY

TRIMLESS RING	1854
---------------	------

\*Trimless ring ordered separately

## FREQUENTLY SPECIFIED

PRODUCT DESCRIPTION	CODE
DPRO 460-927 6C M WH WH PH 20 HF	21002939
DPRO 460-927 6C M BK BK FA 20 HF	21003041
DPRO 460-927 6C M WH WH PH 20 HFX	21009412

PRODUCT DESCRIPTION	CODE
DPRO 460-930 6C M WH WH FA 20 HFA	21003004
DPRO 460-930 6C M BK BK FA 20 HF	21003044
DPRO 460-930 6C M WH WH PH 20 HFX	21009415

# DARC PRO NB 600 80CRI

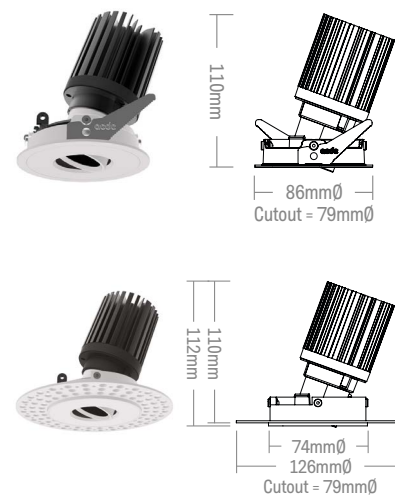
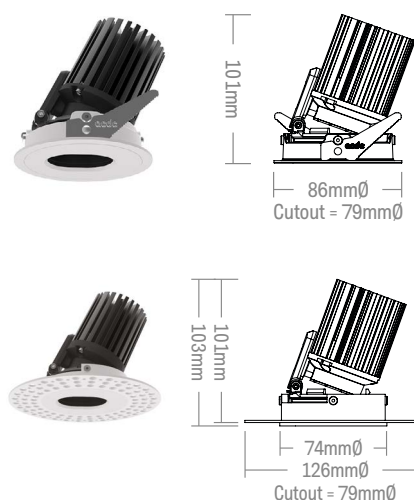
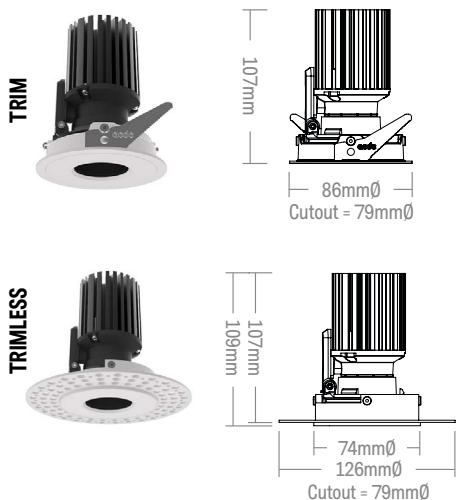
A FAMILY OF ROUND DEEP RECESSED LOW GLARE PIN HOLE DOWNLIGHTS. AVAILABLE IN 3 STYLES, PIN HOLE, PIN HOLE SLOT AND FOCUS ADJUSTABLE. 600 AND 1000 LUMEN OPTIONS ARE AVAILABLE

IP54 - FIXED / IP20 - ADJUSTABLE

PIN HOLE

PIN HOLE SLOT

FOCUS ADJUSTABLE: 20° TILT



## FEATURES

**Minimalistic Design:** Flat edge trim design, incredibly compact and beautifully designed to blend seamlessly within the architectural environment. Adjustable tilts up to 25° and rotates 355° allowing complete control of the light and quick and simple hot focusing on site and when adjusted our unique offset pivot point allows the beam to be directed without any light loss.

**Clean Beam Design (CBD) with wide optic choices:** DARC PRO's single point light source design, efficient interchangeable optics and internal detailing of the luminaire has been designed to ensure outstanding control of the beam angle and the cleanliness of the overall lit effect, without stray light or unpleasant imaging.

**Broad choice as standard:** DARC PRO has a narrow beam option. Available with a variety of colour temperatures, the fittings are available in pinhole, pinhole slot and focus adjustable for total control and focusing of the light source. DARC PRO colour rendering is at the highest level with a 80CRI.

**Installation and mounting:** Installation ring has been designed to ensure a quick first fix installation. The click in reflector allows for simple and rapid first fix installation and removal of the light engine without any hassle. We also offer a trimless version if you need to plaster up to the fitting.

**Complete Glare Control:** Single point light source combined with a deep recessed LED position gives you the ultimate in user comfort and complete glare control. Additional accessories are available in the form of a honeycomb louvre and frosted glass for those applications that need a little more help.

## GLOBAL APPLICATION

Illuminating areas for hospitality, retail and residential. They are suitable for indoor applications with IP54 and IP20 and for use in ambient temperatures ranging from -20°/+50°C. Providing a level of safeguard when used in extreme and challenging environments.



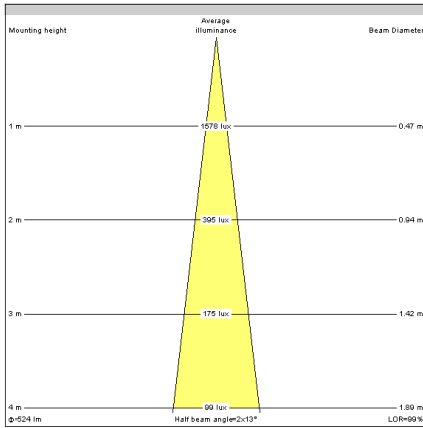




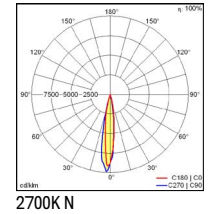
## LIGHT SOURCE INFO

ENGINE TYPE	CRI	OPTIC	COLOUR TEMP (K)	LUMINAIRE LUMEN OUTPUT (lm)	LUMINAIRE LUMENS PER CIRCUIT WATT (lm/cW)	POWER CONSUMPTION. INCLUDING 85% EFFICIENT DRIVER (W)	LIFETIME L70. BASED ON TM-21	COLOUR CONSISTENCY
NB 600	80	NARROW	2700	556	34.3	16.2	>50,000 HOURS	2 STEP MACADAM ELLIPSE
	80		3000	626	38.6	16.2		
	80		4000	665	41.0	16.2		
	80		5000	678	41.9	16.2		

## CONE DIAGRAM



## POLAR PLOT



## BUILD YOUR PRODUCT

PRODUCT		LUMEN OUTPUT		COLOUR TEMP		LIGHT ENGINE		OPTICS		TRIM		REFLECTOR		VARIANT		ACCESSORIES		PROTECTION		IP54 PROTECTION		DRIVERS	
DARC PRO	DPRO	600	600	2700K	-827	NB	NB	NARROW 12°	N	WHITE	WH	WHITE	WH	PIN HOLE	PH	HONEYCOMB LOUVRE	HL	IP20	20	CLEAR GLASS	CG	SWITCHED	HF
				3000K	-830					BLACK	BK	BLACK	BK	PIN HOLE SLOT	PA			IP54	54	FROSTED GLASS	FG	1-10	HFA
				4000K	-840					TRIMLESS*	TL	RAL	RAL	FOCUS ADJUSTABLE*	FA	FROSTED GLASS	FG					DALI	HFX
				5000K	-850					RAL	RAL					NONE						PHASE	LPC
														* FA - IP 20 only								NONE	NON
	DPRO	600		-827		NB		N		WH		WH		PH		HL		20		CG			HF

DMX option available to run multiple fittings - order separately

### ACCESSORY

TRIMLESS RING	1854
---------------	------

\*Trimless ring ordered separately

## FREQUENTLY SPECIFIED

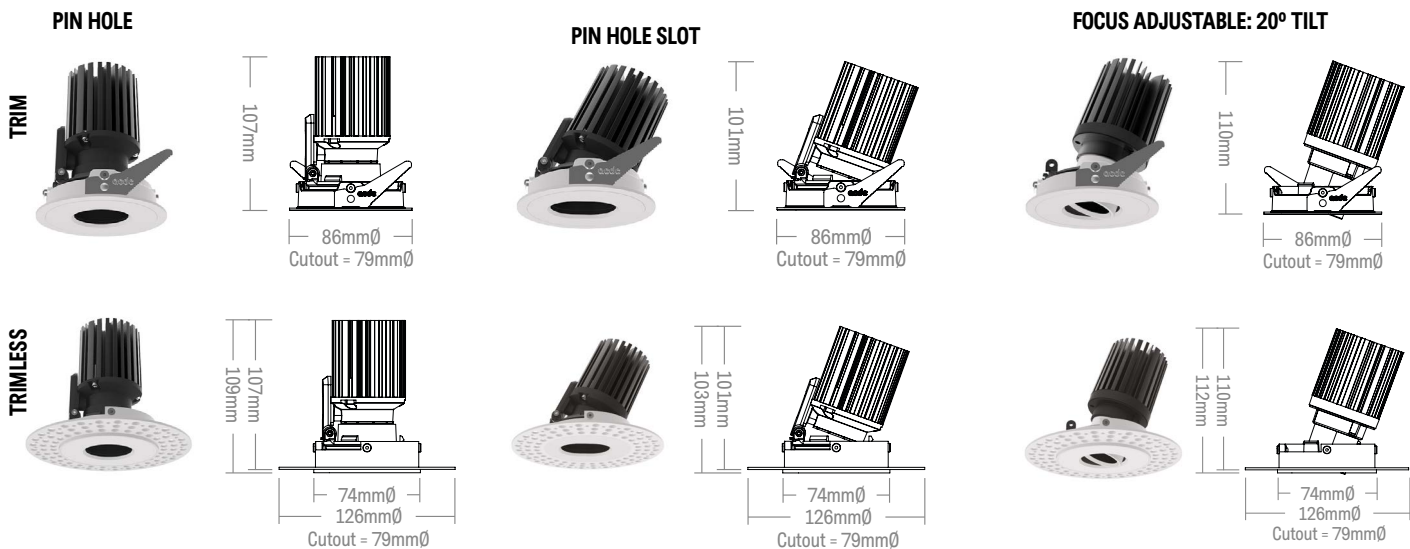
PRODUCT DESCRIPTION	CODE
DPRO 600-827 NB N WH WH PA 20 HF	21002957
DPRO 600-827 NB N BK BK FA 20 HF	21003053
DPRO 600-827 NB N TL WH PH 20 HFX	21009603

PRODUCT DESCRIPTION	CODE
DPRO 600-830 NB N WH WH PH 20 HF	21002958
DPRO 600-830 NB N WH WH PH 20 HFA	21002995
DPRO 600-830 NB N TL WH PH 20 HFX	21009607

# DARC PRO NB 600 90CRI

A FAMILY OF ROUND DEEP RECESSED LOW GLARE PIN HOLE DOWNLIGHTS. AVAILABLE IN 3 STYLES, PIN HOLE, PIN HOLE SLOT AND FOCUS ADJUSTABLE. 600 AND 1000 LUMEN OPTIONS ARE AVAILABLE

IP54 - FIXED / IP20 - ADJUSTABLE



## FEATURES

**Minimalistic Design:** Flat edge trim design, incredibly compact and beautifully designed to blend seamlessly within the architectural environment. Adjustable tilts up to 25° and rotates 355° allowing complete control of the light and quick and simple hot focusing on site and when adjusted our unique offset pivot point allows the beam to be directed without any light loss.

**Clean Beam Design (CBD) with wide optic choices:** DARC PRO's single point light source design, efficient interchangeable optics and internal detailing of the luminaire has been designed to ensure outstanding control of the beam angle and the cleanliness of the overall lit effect, without stray light or unpleasant imaging.

**Broad choice as standard:** DARC PRO has a narrow beam option. Available with a variety of colour temperatures, the fittings are available in pinhole, pinhole slot and focus adjustable for total control and focusing of the light source. DARC PRO colour rendering is at the highest level with a 80CRI.

**Installation and mounting:** Installation ring has been designed to ensure a quick first fix installation. The click in reflector allows for simple and rapid first fix installation and removal of the light engine without any hassle. We also offer a trimless version if you need to plaster up to the fitting.

**Complete Glare Control:** Single point light source combined with a deep recessed LED position gives you the ultimate in user comfort and complete glare control. Additional accessories are available in the form of a honeycomb louvre and frosted glass for those applications that need a little more help.

## GLOBAL APPLICATION

Illuminating areas for hospitality, retail and residential. They are suitable for indoor applications with IP54 and IP20 and for use in ambient temperatures ranging from -20°/+50°C. Providing a level of safeguard when used in extreme and challenging environments.

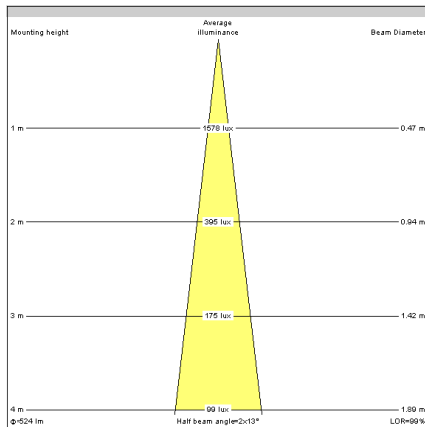




## LIGHT SOURCE INFO

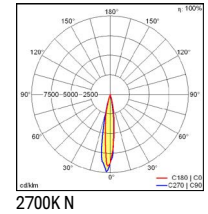
ENGINE TYPE	CRI	OPTIC	COLOUR TEMP (K)	LUMINAIRE LUMEN OUTPUT (lm)	LUMINAIRE LUMENS PER CIRCUIT WATT (lm/cW)	POWER CONSUMPTION INCLUDING 85% EFFICIENT DRIVER (W)	LIFETIME L70. BASED ON TM-21	COLOUR CONSISTENCY
NB 600	90	NARROW	2700	482	29.8	16.2	>50,000 HOURS	2 STEP MACADAM ELLIPSE
	90		3000	543	33.5	16.2		
	90		4000	577	35.6	16.2		
	90		5000	588	36.3	16.2		

## CONE DIAGRAM



## POLAR PLOT

## POLAR PLOT



## BUILD YOUR PRODUCT

PRODUCT		LUMEN OUTPUT		COLOUR TEMP		LIGHT ENGINE		OPTICS		TRIM		REFLECTOR		VARIANT		ACCESSORIES		PROTECTION		IP54 PROTECTION		DRIVERS	
DARC PRO	DPRO	500	500	2700K	-927	NB	NB	NARROW 12°	N	WHITE	WH	WHITE	WH	PIN HOLE	PH	HONEYCOMB LOUVRE	HL	IP20	20	CLEAR GLASS	CG	SWITCHED	HF
				3000K	-930					BLACK	BK	BLACK	BK	PIN HOLE SLOT	PA			IP54	54	FROSTED GLASS	FG	1-10	HFA
				4000K	-940					TRIMLESS*	TL	RAL	RAL	FOCUS ADJUSTABLE*	FA	FROSTED GLASS	FG					DALI	HFX
				5000K	-950					RAL	RAL					NONE						PHASE	LPC
														* FA - IP 20 only								NONE	NON
	DPRO	500		-927		NB		N		WH		WH		PH		HL		20		CG		HF	

DMX option available to run multiple fittings - order separately

### ACCESSORY

TRIMLESS RING	1854
---------------	------

\*Trimless ring ordered separately

## FREQUENTLY SPECIFIED

PRODUCT DESCRIPTION	CODE
DPRO 500-927 NB N WH WH PH 20 HF	21002956
DPRO 500-927 NB N BK BK FA 20 HF	21003054
DPRO 500-927 NB N WH WH PA 20 HFA	21002998

PRODUCT DESCRIPTION	CODE
DPRO 500-930 NB N WH WH PH 20 HFX	21009577
DPRO 500-930 NB N WH WH PH HL 20 HFX	21009576
DPRO 500-930 NB N TL WH FA 20 HFX	21009733



# DARC PRO LED 1000 80CRI

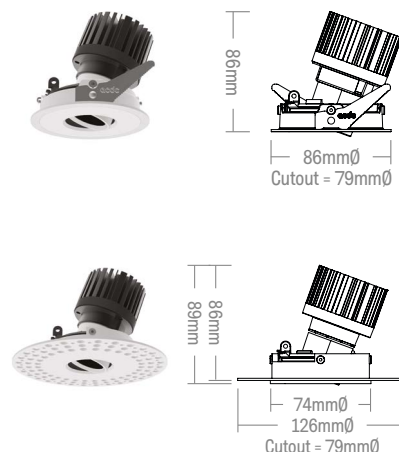
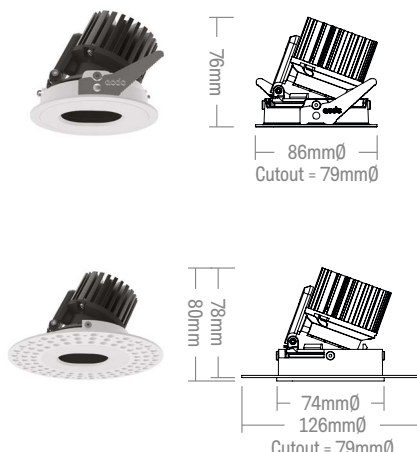
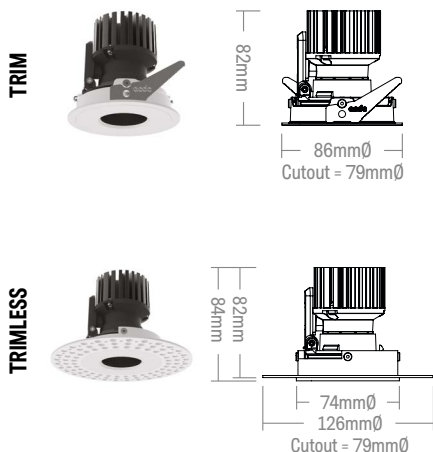
A FAMILY OF ROUND DEEP RECESSED LOW GLARE PIN HOLE DOWNLIGHTS. AVAILABLE IN 3 STYLES, PIN HOLE, PIN HOLE SLOT AND FOCUS ADJUSTABLE. 600 AND 1000 LUMEN OPTIONS ARE AVAILABLE

IP54 - FIXED / IP20 - ADJUSTABLE

PIN HOLE

PIN HOLE SLOT

FOCUS ADJUSTABLE: 20° TILT



## FEATURES

**Minimalistic Design:** Flat edge trim design, incredibly compact and beautifully designed to blend seamlessly within the architectural environment. Adjustable tilts up to 25° and rotates 355° allowing complete control of the light and quick and simple hot focusing on site and when adjusted our unique offset pivot point allows the beam to be directed without any light loss.

**Clean Beam Design (CBD) with wide optic choices:** DARC PRO's single point light source design, efficient interchangeable optics and internal detailing of the luminaire has been designed to ensure outstanding control of the beam angle and the cleanliness of the overall lit effect, without stray light or unpleasant imaging.

**Broad choice as standard:** DARC PRO has a medium beam option. Available with a variety of colour temperatures, the fittings are available in pinhole, pinhole slot and focus adjustable for total control and focusing of the light source. DARC PRO colour rendering is at the highest level with a 80CRI.

**Installation and mounting:** Installation ring and click in reflector has been designed to ensure a simple and rapid first fix installation and removal of the light engine without any hassle. We also offer a trimless version if you need to plaster up to the fitting.

**Complete Glare Control:** Single point light source combined with a deep recessed LED position gives you the ultimate in user comfort and complete glare control. Additional accessories are available in the form of a honeycomb louvre and frosted glass for those applications that need a little more help.

## GLOBAL APPLICATION

Illuminating areas for hospitality, retail and residential. They are suitable for indoor applications with IP54 and IP20 and for use in ambient temperatures ranging from -20°/+50°C. Providing a level of safeguard when used in extreme and challenging environments.



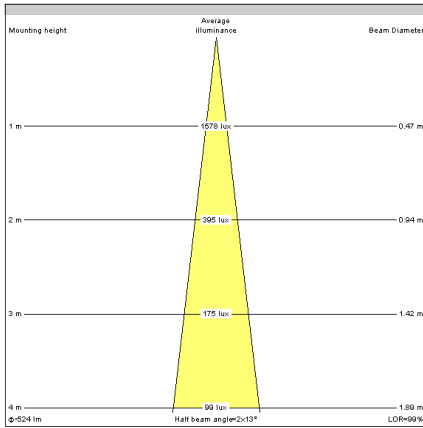


# LIGHT SOURCE INFO

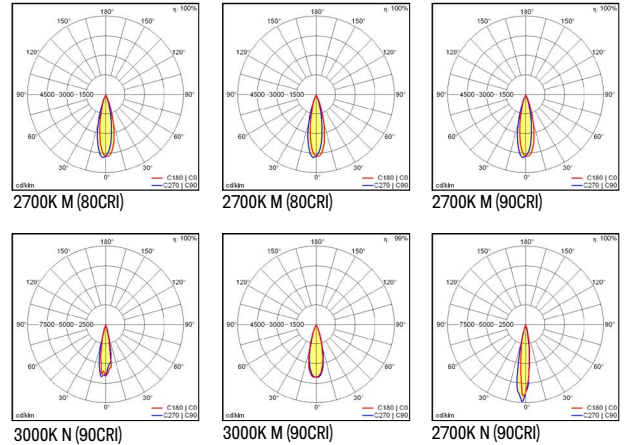
ENGINE TYPE	CRI	OPTIC	COLOUR TEMP (K)	LUMINAIRE LUMEN OUTPUT (lm)	LUMINAIRE LUMENS PER CIRCUIT WATT (lm/cW)	POWER CONSUMPTION, INCLUDING 85% EFFICIENT DRIVER (W)	LIFETIME L70, BASED ON TM-21	COLOUR CONSISTENCY
LED 1000	80	MEDIUM	2700	625	49.6	12.6	>50,000 HOURS	2 STEP MACADAM ELLIPSE
	80		3000	745	59.1	12.6		
	80		4000	767	60.9	12.6		
	80		5000	803	63.7	12.6		

Based on BMF

# CONE DIAGRAM



# POLAR PLOT



# BUILD YOUR PRODUCT

PRODUCT		LUMEN OUTPUT		COLOUR TEMP		LIGHT ENGINE		OPTICS		TRIM		REFLECTOR		VARIANT		ACCESSORIES		PROTECTION		IP54 PROTECTION		DRIVERS	
DARC PRO	DPRO	800	800	2700K	-827	1000	1K	MEDIUM 25°	M	WHITE	WH	WHITE	WH	PIN HOLE	PH	HONEYCOMB LOUVRE	HL	IP20	20	CLEAR GLASS	CG	SWITCHED	HF
				3000K	-830					BLACK	BK	BLACK	BK	PIN HOLE SLOT	PA			IP54	54	FROSTED GLASS	FG	1-10	HFA
				4000K	-840					TRIMLESS*	TL	RAL	RAL	FOCUS ADJUSTABLE*	FA	FROSTED GLASS	FG					DALI	HFX
				5000K	-850					RAL	RAL					NONE						NONE	NON
														* FA - IP 20 only									
	DPRO		800		-827		1K		M		WH		WH		PH		HL		20		CG		HF

DMX option available to run multiple fittings - order separately

### ACCESSORY

TRIMLESS RING	1854
---------------	------

\*Trimless ring ordered separately

# FREQUENTLY SPECIFIED

PRODUCT DESCRIPTION	CODE
DPRO 800-827 1K M WH WH PH 20 HF	21002967
DPRO 800-827 1K M WH WH PH 54 CG HFX	21009788
DPRO 800-827 1K M WH WH PH 20 HF	21002947

PRODUCT DESCRIPTION	CODE
DPRO 800-830 1K M WH WH PH 20 HFA	21002985
DPRO 800-830 1K M WH BK PH 20 HFX	21009751
DPRO 800-830 1K M BK BK FA 20 HFX	21009896

# DARC PRO LED 1000 90CRI

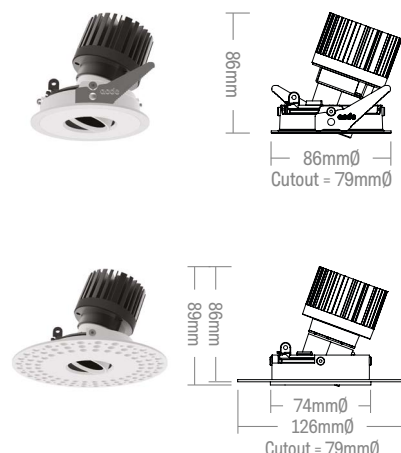
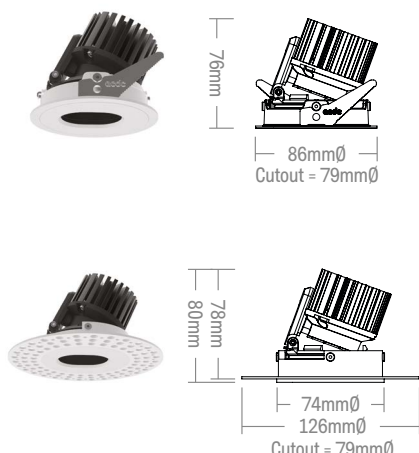
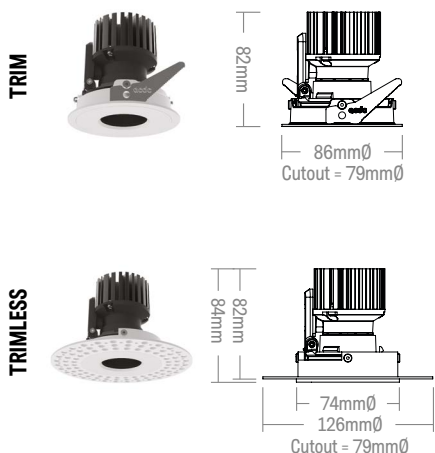
A FAMILY OF ROUND DEEP RECESSED LOW GLARE PIN HOLE DOWNLIGHTS. AVAILABLE IN 3 STYLES, PIN HOLE, PIN HOLE SLOT AND FOCUS ADJUSTABLE. 600 AND 1000 LUMEN OPTIONS ARE AVAILABLE

IP54 - FIXED / IP20 - ADJUSTABLE

PIN HOLE

PIN HOLE SLOT

FOCUS ADJUSTABLE: 20° TILT



## FEATURES

**Minimalistic Design:** Flat edge trim design, incredibly compact and beautifully designed to blend seamlessly within the architectural environment. Adjustable tilts up to 25° and rotates 355° allowing complete control of the light and quick and simple hot focusing on site and when adjusted our unique offset pivot point allows the beam to be directed without any light loss.

**Clean Beam Design (CBD) with wide optic choices:** DARC PRO's single point light source design, efficient interchangeable optics and internal detailing of the luminaire has been designed to ensure outstanding control of the beam angle and the cleanliness of the overall lit effect, without stray light or unpleasant imaging.

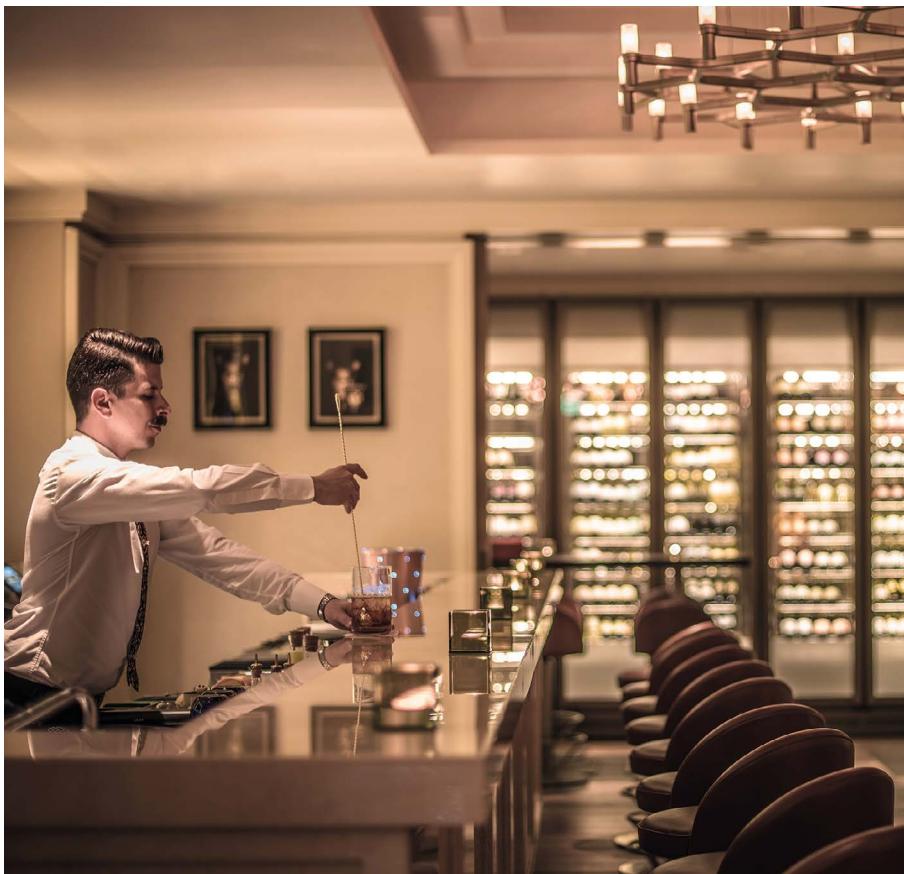
**Broad choice as standard:** DARC PRO has a medium beam option. Available with a variety of colour temperatures, the fittings are available in pinhole, pinhole slot and focus adjustable for total control and focusing of the light source. DARC PRO colour rendering is at the highest level with a 90CRI.

**Installation and mounting:** Installation ring and click in reflector has been designed to ensure a simple and rapid first fix installation and removal of the light engine without any hassle. We also offer a trimless version if you need to plaster up to the fitting.

**Complete Glare Control:** Single point light source combined with a deep recessed LED position gives you the ultimate in user comfort and complete glare control. Additional accessories are available in the form of a honeycomb louvre and frosted glass for those applications that need a little more help.

## GLOBAL APPLICATION

Illuminating areas for hospitality, retail and residential. They are suitable for indoor applications with IP54 and IP20 and for use in ambient temperatures ranging from -20°/+50°C. Providing a level of safeguard when used in extreme and challenging environments.











# ARENA

**ALL COMES OUT  
IN THE WASH**

ARENA brings beauty with a wash of light.

These micro downlights are happy wherever you put them. Indoor or outdoor they wash their light and bring our focus and attention to all things good.

In the right light, at the right time everything can be amazing.

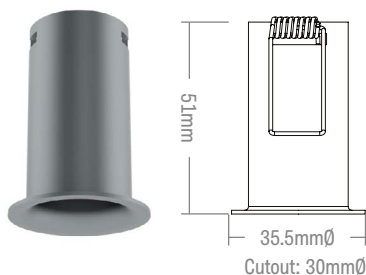


# ARENA, ARENA+ 80CRI

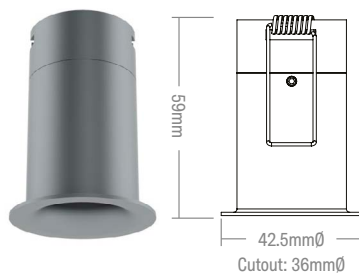
**DEEP RECESSED. LOW GLARE MICRO ARCHITECTURAL DOWNLIGHTS  
FIXED OR TILT OPTION**

**IP20 - FIXED / IP65 - TILT**

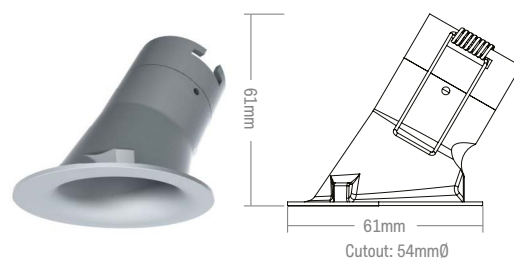
IP20 FIXED



IP65 FIXED



IP65 TILT



## FEATURES

**Minimalistic Design:** Micro and extremely small in size, they are beautifully designed to blend seamlessly within the architectural environment. Their deep recessed LED position and soft curved design gives the ultimate in viewer comfort. Arena is available in a fixed or 30° tilt version for wall grazing applications.

**Clean Beam Design (CBD) with optic choices:** Available in two optic sizes. ARENA'S light source design, and internal detailing of the luminaire has been designed to ensure outstanding control of the beam angle and the cleanliness of the overall lit effect, without stray light or unpleasant imaging.

**Broad choice as standard:** ARENA is available in two lumen outputs - 100 and 175 lumens. The range has a number of single colour temperatures and colour options for complete control of the design. Anodised finish is available for harsh environments in addition to RAL customisation for perfect integration into any decoration or finish. ARENA colour rendering is at the highest level with a 80CRI.

**Complete Glare Control:** Deep recessed LED position and curved edge finish gives you the ultimate in user comfort and complete glare control.

**Installation and mounting:** Arena has been designed to ensure quick and easy installation.

## GLOBAL APPLICATION

Illuminating areas for hospitality, retail and residential. They are suitable for indoor or outdoor applications with IP20 and IP65 and for use in ambient temperatures ranging from -20°/+50°C. Providing a level of safeguard when used in extreme and challenging environments.

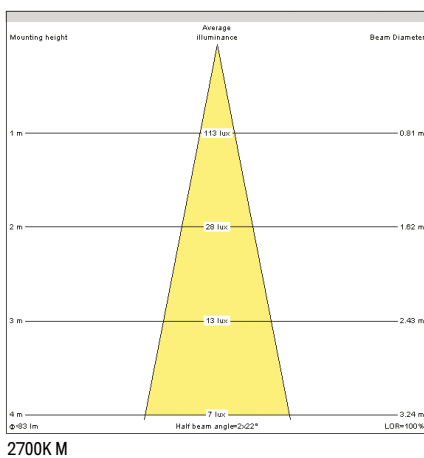




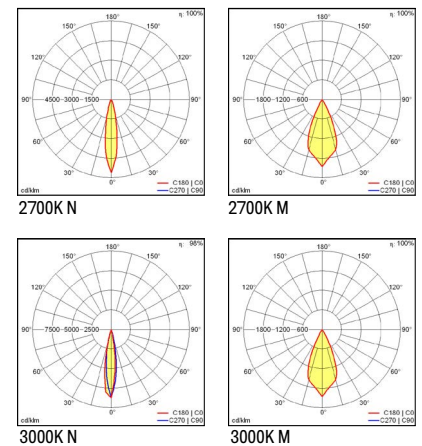
## LIGHT SOURCE INFO

ENGINE TYPE	CRI	OPTIC	COLOUR TEMP (K)	LUMINAIRE LUMEN OUTPUT (lm)	LUMINAIRE LUMENS PER CIRCUIT WATT (lm/cW)	POWER CONSUMPTION, INCLUDING 85% EFFICIENT DRIVER (W)	LIFETIME L70, BASED ON TM-21	COLOUR CONSISTENCY
STANDARD BRIGHT	80	NARROW	2700	98	81.7	1.2	>50,000 HOURS	2 STEP MACADAM ELLIPSE
	80		3000	99	82.5	1.2		
	80		4200	99	82.5	1.2		
	80		6000	104	86.7	1.2		
EXTRA BRIGHT	80	NARROW	2700	169	76.8	2.2	>50,000 HOURS	2 STEP MACADAM ELLIPSE
	80		3000	171	77.7	2.2		
	80		4200	171	77.7	2.2		
	80		6000	179	81.4	2.2		

## CONE DIAGRAM



## POLAR PLOT



## BUILD YOUR PRODUCT

PRODUCT NAME		COLOUR TEMP		OPTICS		VARIANT		MODEL		PROTECTION	
ARENA	ARENA 100	2700K	-827	NARROW 15°	N	ANODISED ALUMINIUM SILVER	AS	*TILT	TLT	IP20	20
ARENA+	ARENA+ 180	3000K	-830	MEDIUM 30°	M	ANODISED ALUMIUM BLACK	ABK	STANDARD	STD	IP65	65
		4200K	-842			WHITE	WH	*Only available in White or Black Finish, IP65			
		6000K	-860			BLACK	BK				
		RED	-RED			RAL	RAL				
		GREEN	-GRN								
		BLUE	-BLU								
		AMBER	-AMB								
ARENA 100		-827		N		AS		TLT		20	

## FREQUENTLY SPECIFIED

PRODUCT DESCRIPTION	CODE
ARENA 100-830 N WH STD 65	21000011
ARENA+ 180-830 N WH STD 65	21000023
ARENA+ 180-827 N WH STD 20	21000018

PRODUCT DESCRIPTION	CODE
ARENA 100-827 N WH STD 20	21000004
ARENA 100-830 M AS STD 65	21000035
ARENA 100-827 M WH STD 65	21000038

DRIVER (ARENA)		CODE
SW	acdc1900/A/350/SWT/NONE	21100087
DALI	acdc1900/A/350/DALI/SOLO	21100094
DMX	acdc1900/A/350/PHA/NONE	21100100

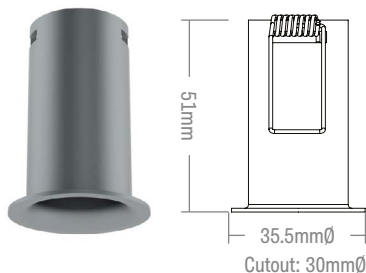
DRIVER (ARENA+)		CODE
SW	acdc1900/A/700/SWT/NONE	21100102
DALI	acdc1900/A/700/DALI/NONE	21100108
DMX	acdc1900/A/700/PHA/NONE	21100114

# ARENA, ARENA+ 90CRI

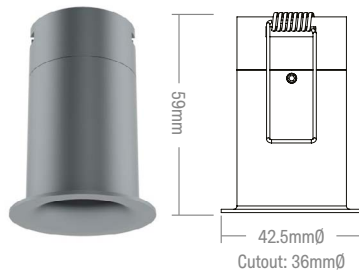
**DEEP RECESSED. LOW GLARE MICRO ARCHITECTURAL DOWNLIGHTS  
FIXED OR TILT OPTION**

**IP20 - FIXED / IP65 - TILT**

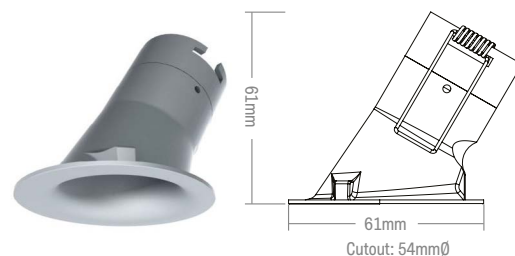
IP20 FIXED



IP65 FIXED



IP65 TILT



## FEATURES

**Minimalistic Design:** Micro and extremely small in size, they are beautifully designed to blend seamlessly within the architectural environment. Their deep recessed LED position and soft curved design gives the ultimate in viewer comfort. Arena is available in a fixed or 30° tilt version for wall grazing applications.

**Clean Beam Design (CBD) with optic choices:** Available in two optic sizes. ARENA'S light source design, and internal detailing of the luminaire has been designed to ensure outstanding control of the beam angle and the cleanliness of the overall lit effect, without stray light or unpleasant imaging.

**Broad choice as standard:** ARENA is available in two lumen outputs - 100 and 175 lumens. The range has a number of single colour temperatures and colour options for complete control of the design. Anodised finish is available for harsh environments in addition to RAL customisation for perfect integration into any decoration or finish. ARENA colour rendering is at the highest level with a 90CRI.

**Complete Glare Control:** Deep recessed LED position and curved edge finish gives you the ultimate in user comfort and complete glare control.

**Installation and mounting:** Arena has been designed to ensure quick and easy installation.

## GLOBAL APPLICATION

Illuminating areas for hospitality, retail and residential. They are suitable for indoor or outdoor applications with IP20 and IP65 and for use in ambient temperatures ranging from -20°/+50°C. Providing a level of safeguard when used in extreme and challenging environments.



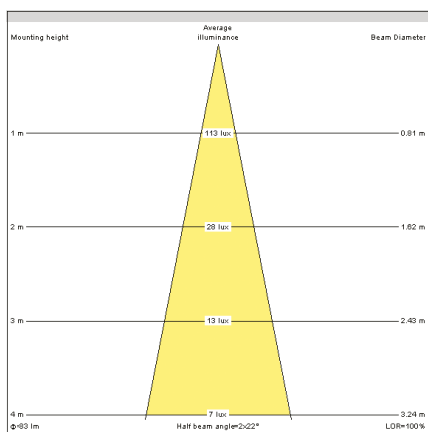




## LIGHT SOURCE INFO

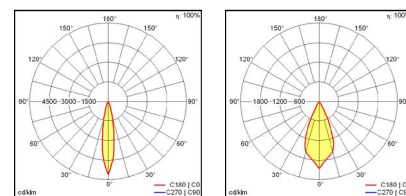
ENGINE TYPE	CRI	OPTIC	COLOUR TEMP (K)	LUMINAIRE LUMEN OUTPUT (lm)	LUMINAIRE LUMENS PER CIRCUIT WATT (lm/cw)	POWER CONSUMPTION, INCLUDING 85% EFFICIENT DRIVER (W)	LIFETIME L70, BASED ON TM-21	COLOUR CONSISTENCY
STANDARD BRIGHT	90	NARROW	2700	85	70.8	1.2	>50,000 HOURS	2 STEP MACADAM ELLIPSE
	90		3000	92	76.7	1.2		
EXTRA BRIGHT	90	NARROW	2700	147	66.8	2.2	>50,000 HOURS	2 STEP MACADAM ELLIPSE
	90		3000	159	72.3	2.2		

## CONE DIAGRAM



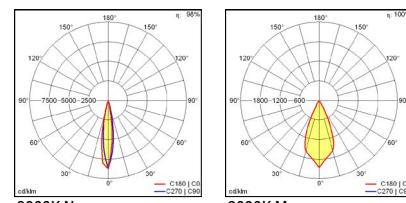
2700K M

## POLAR PLOT



2700K N

2700K M



3000K N

3000K M

## BUILD YOUR PRODUCT

PRODUCT NAME		COLOUR TEMP		OPTICS		VARIANT		MODEL		PROTECTION	
ARENA	ARENA 90	2700K	-927	NARROW 15°	N	ANODISED ALUMINIUM SILVER	AS	*TILT	TLT	IP20	20
ARENA+	ARENA+ 160	3000K	-930	MEDIUM 30°	M	ANODISED ALUMIUM BLACK	ABK	STANDARD	STD	IP65	65
						WHITE	WH	*Only available in White or Black Finish, IP65			
						BLACK	BK				
						RAL	RAL				
	ARENA 90		-927		N		AS		TLT		20

## FREQUENTLY SPECIFIED

PRODUCT DESCRIPTION	CODE
ARENA 90-927 N WH STD 65	21005846
ARENA 90-927 M ABK STD 20	21005843
ARENA 90-930 N AS STD 20	21005862

PRODUCT DESCRIPTION	CODE
ARENA 90-930 M WH STD 20	21005871
ARENA+ 160-930 M WH STD 20	21005882
ARENA+ 160-927 M WH STD 20	21005856

DRIVER (ARENA)		CODE
SW	acdc1900/A/350/SWT/NONE	21100087
DALI	acdc1900/A/350/DALI/SOLO	21100094
DMX	acdc1900/A/350/PHA/NONE	21100100

DRIVER (ARENA+)		CODE
SW	acdc1900/A/700/SWT/NONE	21100102
DALI	acdc1900/A/700/DALI/NONE	21100108
DMX	acdc1900/A/700/PHA/NONE	21100114



Thermal  
Suite





# GIO

**GOOD THINGS COME  
IN SMALL PACKAGES**

GIO stimulates our senses with their gift of light.

Our lives can be constantly busy and these unassuming downlights facilitate our general comfort levels and can bestow us with a calm and tranquil atmosphere to alleviate our stress and tension.

It's all about finding calm in the chaos.

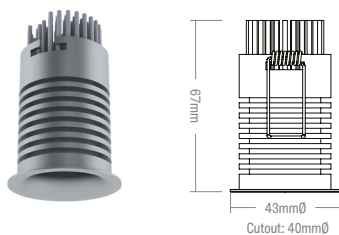


# GIO, GIO+ 80CRI

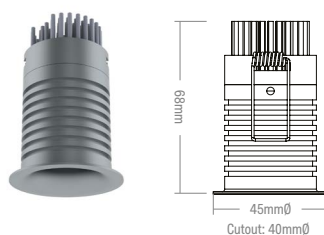
**DEEP, RECESSED, LOW GLARE MICRO ARCHITECTURAL DOWNLIGHTS  
FIXED OR TILT OPTION**

**IP20 - FIXED / IP65 - TILT**

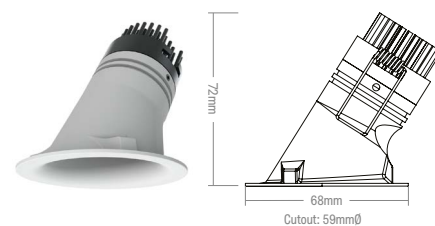
IP20 FIXED



IP65 FIXED



IP65 TILT



## FEATURES

**Minimalistic Design:** Incredibly compact and beautifully designed to blend seamlessly within the architectural environment. GIO is available in fixed and 30° tilt formats for wall grazing applications.

**Clean Beam Design (CBD):** GIO has single point light source design and internal detailing of the luminaire has been designed to ensure outstanding control of the beam angle and the cleanliness of the overall lit effect, without stray light or unpleasant imaging.

**Broad choice as standard:** GIO is available in two lumen outputs 300 and 550 lumens. A wide variety of colour temperatures and LED colours which allow you to tune and control the light. White and black are the standard options, however hard anodised is available for extreme conditions and we offer RAL customisation so we can match the fitting to any decoration or setting. GIO colour rendering is at the highest level with a 80CRI.

**Complete Glare Control:** GIO gives you ultimate in glare control, the deep recessed LED position hides the led source from view for the ultimate in viewer comfort.

## GLOBAL APPLICATION

Illuminating areas for hospitality, retail and residential. They are suitable for indoor applications with IP65 and IP20 and for use in ambient temperatures ranging from -20°/+50°C. Providing a level of safeguard when used in extreme and challenging environments.

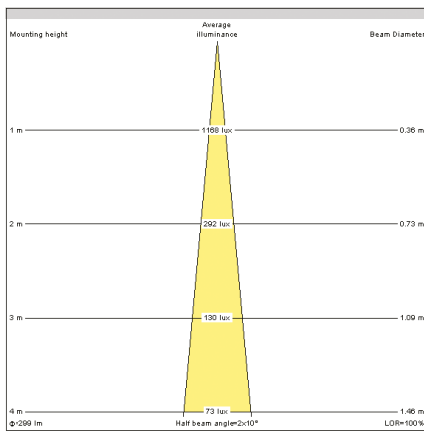




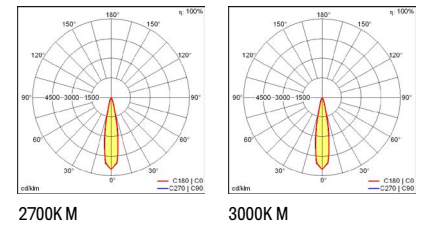
## LIGHT SOURCE INFO

ENGINE TYPE	CRI	OPTIC	COLOUR TEMP (K)	LUMINAIRE LUMEN OUTPUT (lm)	LUMINAIRE LUMENS PER CIRCUIT WATT (lm/cW)	POWER CONSUMPTION, INCLUDING 85% EFFICIENT DRIVER (W)	LIFETIME L70, BASED ON TM-21	COLOUR CONSISTENCY
STANDARD BRIGHT	80	MEDIUM	2700	296	80.0	3.7	>50,000 HOURS	2 STEP MACADAM ELLIPSE
	80		3000	299	80.8	3.7		
	80		4200	314	84.9	3.7		
	80		6000	350	94.6	3.7		
EXTRA BRIGHT	80	MEDIUM	2700	529	70.5	7.5	>50,000 HOURS	2 STEP MACADAM ELLIPSE
	80		3000	529	70.5	7.5		
	80		4200	561	74.8	7.5		
	80		6000	625	83.3	7.5		

## CONE DIAGRAM



## POLAR PLOT



## BUILD YOUR PRODUCT

PRODUCT NAME		COLOUR TEMP		OPTICS		VARIANT		MODEL		PROTECTION	
GIO	GIO 300	2700K	-827	MEDIUM 20°	M	ANODISED ALUMINIUM SILVER	AS	**TILT	TLT	IP20	20
GIO+	GIO+ 540	3000K	-830			ANODISED ALUMIUM BLACK	ABK	STANDARD	STD	IP65	65
		4200K	-842			WHITE	WH	**Available in white or black finish			
		6000K	-860			BLACK*	BK*				
		RED	-RED			RAL	RAL				
		GREEN	-GRN			HARD ANODISED ALUMINIUM SILVER	HS				
		BLUE	-BLU			HARD ANODISED ALUMINIUM BLACK	HBK				
		AMBER	-AMB			* Black available in tilt variant only					
GIO 300		-827		M		AS		TLT		20	

## FREQUENTLY SPECIFIED

PRODUCT DESCRIPTION	CODE
GIO 300-830 M AS STD 20	21000057
GIO+ 540-830 M AS STD 65	21000077
GIO 300-827 M AS STD 20	21000056

PRODUCT DESCRIPTION	CODE
GIO 300-827 M AS STD 65	21000062
GIO 300-830 M WH STD 20	21000061
GIO+ 540-830 M WH STD 65	21000079

DRIVER (GIO)		CODE
SW	acdc1900/A/350/SWT/NONE	21100087
DALI	acdc1900/A/350/DALI/SOLO	21100094
DMX	acdc1900/A/350/PHA/NONE	21100100

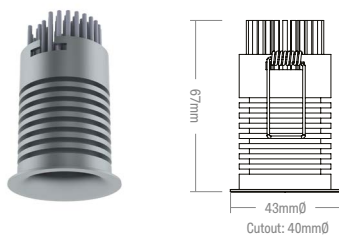
DRIVER (GIO-)		CODE
SW	acdc1900/A/700/SWT/NONE	21100102
DALI	acdc1900/A/700/DALI/NONE	21100108
DMX	acdc1900/A/700/PHA/NONE	21100114

# GIO, GIO+ 90CRI

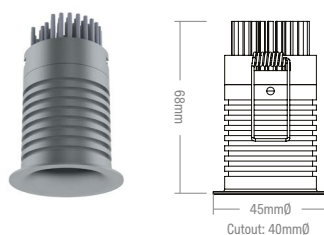
**DEEP, RECESSED. LOW GLARE MICRO ARCHITECTURAL DOWNLIGHTS  
FIXED OR TILT OPTION**

**IP20 - FIXED / IP65 - TILT**

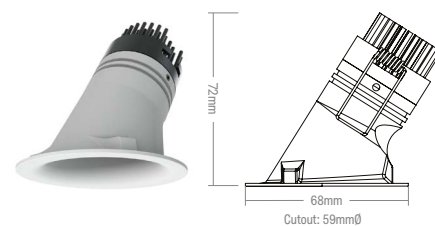
IP20 FIXED



IP65 FIXED



IP65 TILT



## FEATURES

**Minimalistic Design:** Incredibly compact and beautifully designed to blend seamlessly within the architectural environment. GIO is available in fixed and 30° tilt formats for wall grazing applications.

**Clean Beam Design (CBD):** GIO has single point light source design and internal detailing of the luminaire has been designed to ensure outstanding control of the beam angle and the cleanliness of the overall lit effect, without stray light or unpleasant imaging.

**Broad choice as standard:** GIO is available in two lumen outputs 300 and 550 lumens. A wide variety of colour temperatures and LED colours which allow you to tune and control the light. White and black are the standard options, however hard anodised is available for extreme conditions and we offer RAL customisation so we can match the fitting to any decoration or setting. GIO colour rendering is at the highest level with a 90CRI.

**Complete Glare Control:** GIO gives you ultimate in glare control, the deep recessed LED position hides the led source from view for the ultimate in viewer comfort.

## GLOBAL APPLICATION

Illuminating areas for hospitality, retail and residential. They are suitable for indoor applications with IP65 and IP20 and for use in ambient temperatures ranging from -20°/+50°C. Providing a level of safeguard when used in extreme and challenging environments.



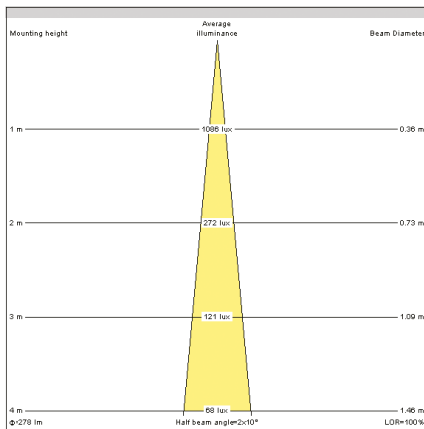




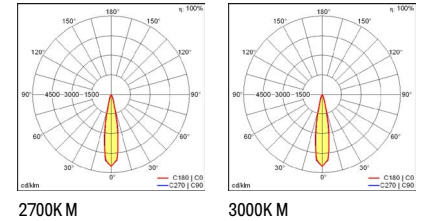
## LIGHT SOURCE INFO

ENGINE TYPE	CRI	OPTIC	COLOUR TEMP (K)	LUMINAIRE LUMEN OUTPUT (lm)	LUMINAIRE LUMENS PER CIRCUIT WATT (lm/cW)	POWER CONSUMPTION, INCLUDING 85% EFFICIENT DRIVER (W)	LIFETIME L70, BASED ON TM-21	COLOUR CONSISTENCY
STANDARD BRIGHT	90	MEDIUM	2700	258	69.7	3.7	>50,000 HOURS	2 STEP MACADAM ELLIPSE
	90		3000	278	75.1	3.7		
EXTRA BRIGHT	90	MEDIUM	2700	460	61.3	7.5	>50,000 HOURS	2 STEP MACADAM ELLIPSE
	90		3000	492	65.6	7.5		

## CONE DIAGRAM



## POLAR PLOT



## BUILD YOUR PRODUCT

PRODUCT NAME		COLOUR TEMP		OPTICS		VARIANT		MODEL		PROTECTION	
GIO	GIO 280	2700K	-927	MEDIUM 20°	M	ANODISED ALUMINIUM SILVER	AS	**TILT	TLT	IP20	20
GIO+	GIO+ 500	3000K	-930			ANODISED ALUMINIUM BLACK	ABK	STANDARD	STD	IP65	65
						WHITE	WH	**Available in white or black finish			
						BLACK*	BK*				
						RAL	RAL				
						HARD ANODISED ALUMINIUM SILVER	HS				
						HARD ANODISED ALUMINIUM BLACK	HBK				
						* Black available in tilt variant only					
	GIO 280		-927		M		AS		TLT		20

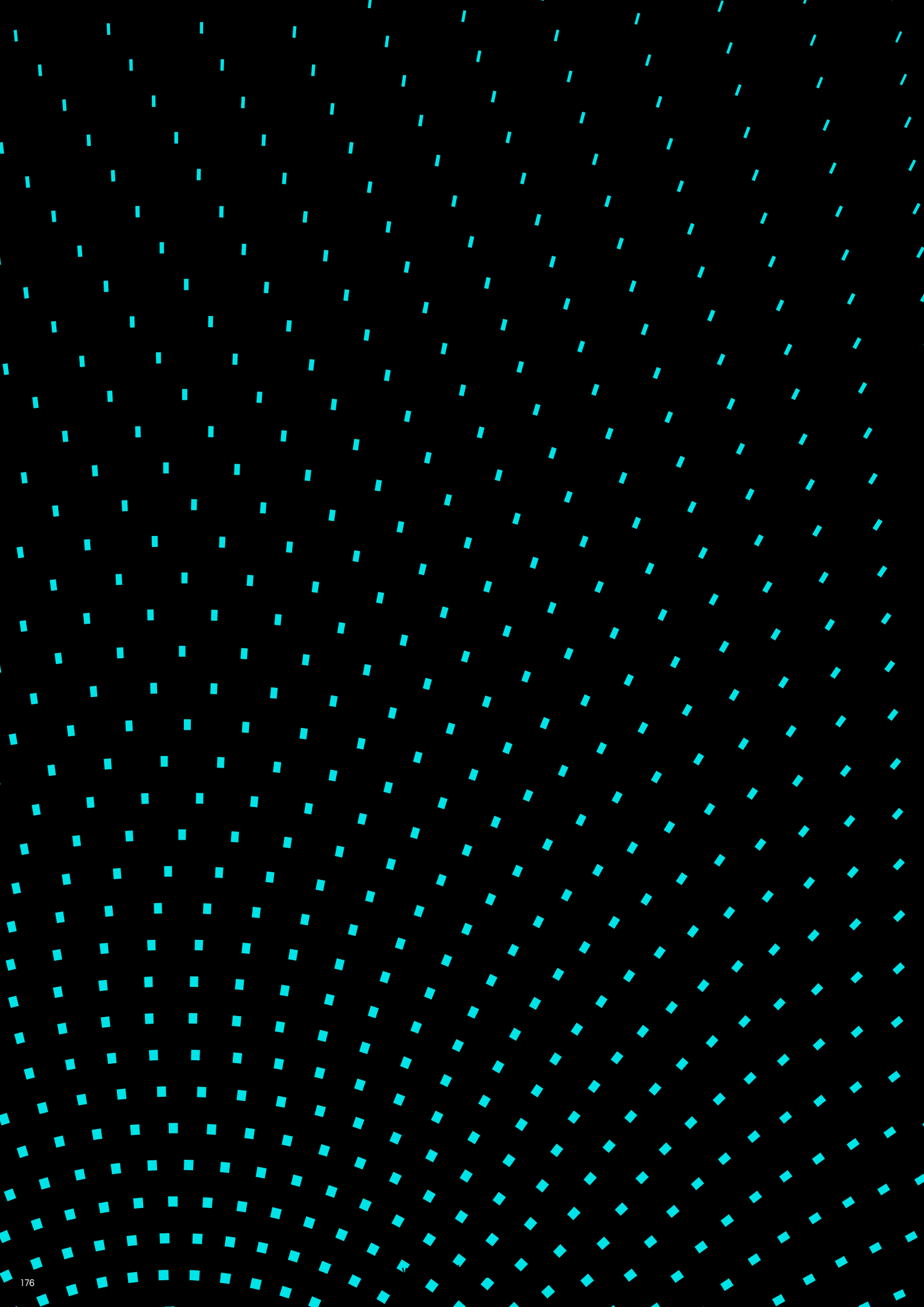
## FREQUENTLY SPECIFIED

PRODUCT DESCRIPTION	CODE
GIO 280-927 M AS STD 20	21005814
GIO 280-927 M ABK STD 20	21005818
GIO 280-930 M WH STD 20	21005378

PRODUCT DESCRIPTION	CODE
GIO 280-930 M ABK STD 20	21005820
GIO+ 500-930 M ABK STD 20	21005830
GIO+ 500-930 M WH STD 20	21005379

DRIVER (GIO)		CODE
SW	acdc1900/A/350/SWT/NONE	21100087
DALI	acdc1900/A/350/DALI/SOLO	21100094
DMX	acdc1900/A/350/PHA/NONE	21100100

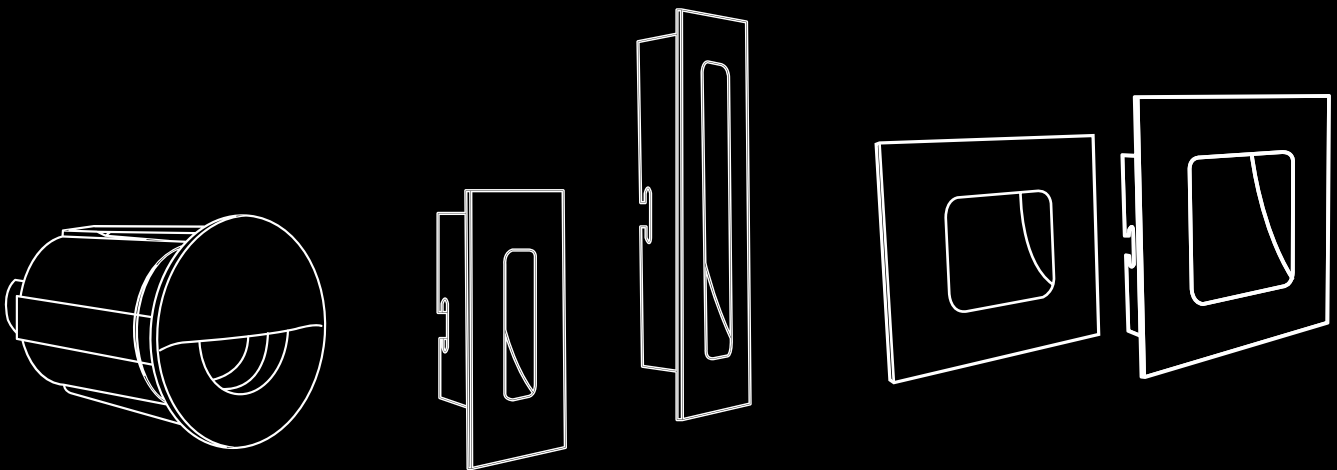
DRIVER (GIO-)		CODE
SW	acdc1900/A/700/SWT/NONE	21100102
DALI	acdc1900/A/700/DALI/NONE	21100108
DMX	acdc1900/A/700/PHA/NONE	21100114





# ACCENT

ECLIPSE  
GALAXY  
MONDO









# ECLIPSE

## PAINT THE TOWN

Eclipse guides the way with a rainbow spectrum of light.

These tiny recessed luminaires feel at home in the ground or in a wall radiating with white or colourful light. They guide and illuminate the way through our outdoor spaces.

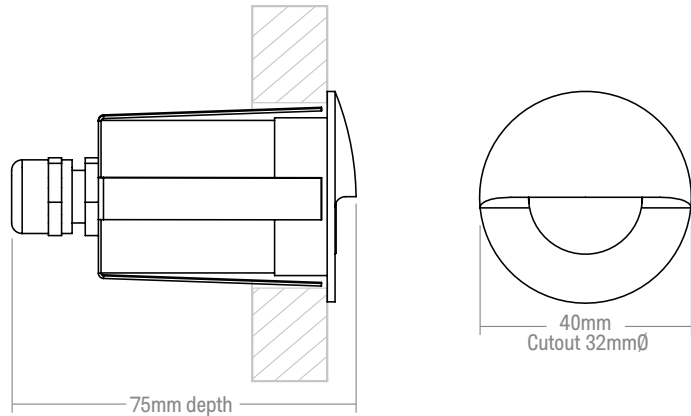
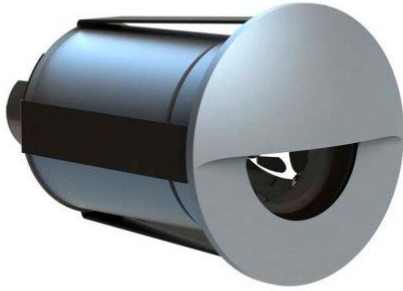
Eclipse is a real showman, they love painting the town, making the normal interesting without blinding passers-by.

ECLIPSE is the perfect partner in crime for painting the town red...green, white, blue, or amber.

# ECLIPSE

**MICRO FLOOR OR WALL RECESSED LUMINAIRE DELIVERING 90 LUMENS WITH EYELID OPTION FOR MAXIMUM GLARE CONTROL**

**IP67**



## FEATURES

**Minimalistic Design:** Incredibly compact and beautifully designed to blend seamlessly within the architectural environment. Smooth eyelid design and flanged bezel minimises glare.

**Clean Beam Design (CBD) with wide optic choices:** ECLIPSE's single point light source design and internal detailing of the luminaire has been designed to ensure outstanding control of the beam angle and the cleanliness of the overall lit effect, without stray light or unpleasant imaging.

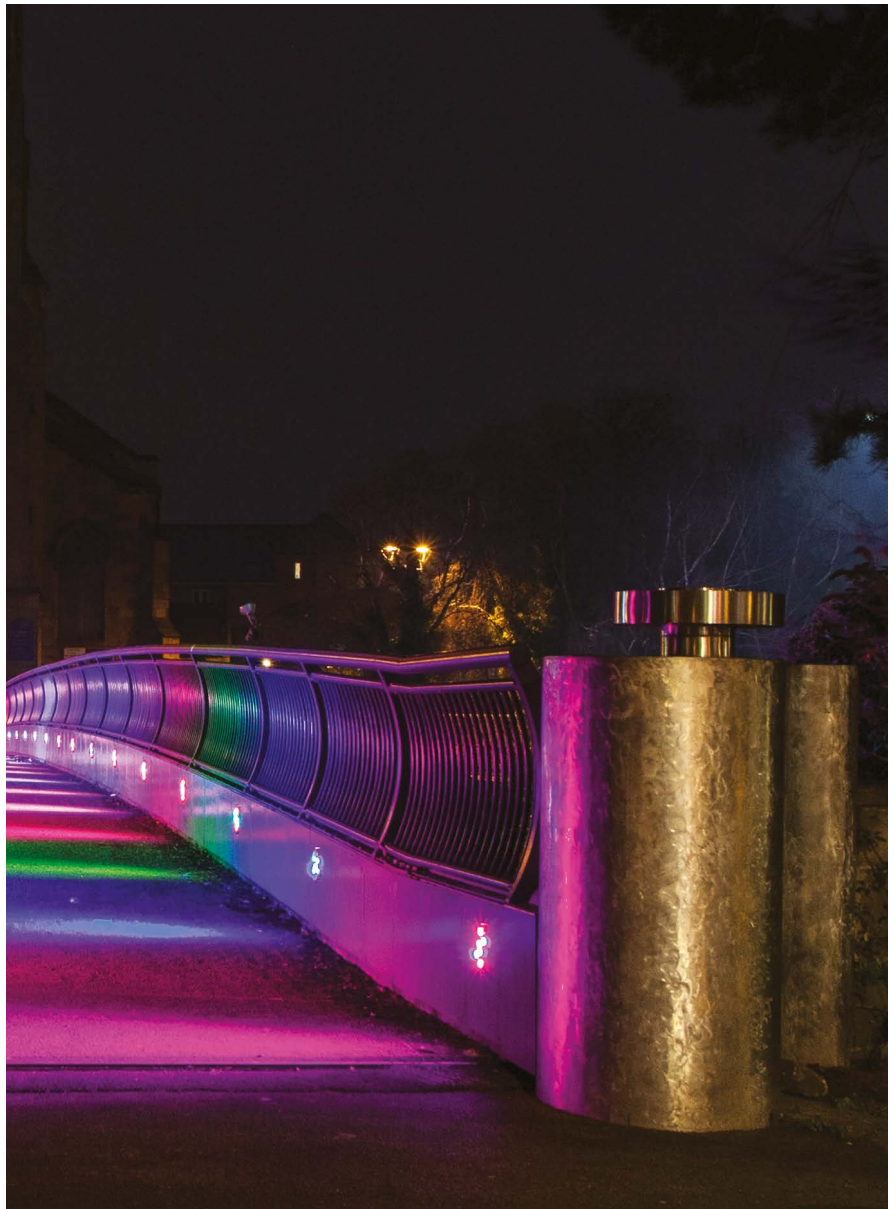
**Broad choice as standard:** ECLIPSE has a choice highly efficient optics including an uncollimated option. The range has a selection of white colour temperatures and colours which allow you to tune and control the light.

**Complete Glare Control:** ECLIPSE gives you the ultimate in glare control, the eyelid option hides the light source from the observers so they have a perfect view with any glare.

**Installation and mounting:** Quick and easy floor or wall recessed installation. Depending on the type of installation an installation sleeve is available.

## GLOBAL APPLICATION

Illuminating walkways, bridges and steps in the public realm. They are suitable for outdoor applications with IP67 and for use in ambient temperatures ranging from -20°/+50°C. Providing a level of safeguard when used in extreme and challenging external environments.





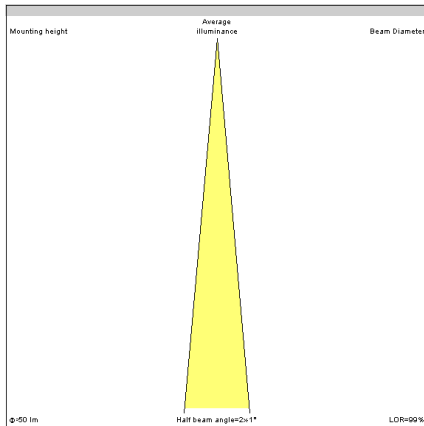


## LIGHT SOURCE INFO

ENGINE TYPE	CRI	OPTIC	COLOUR TEMP (K)	LUMINAIRE LUMEN OUTPUT (lm)	LUMINAIRE LUMENS PER CIRCUIT WATT (lm/cW)	POWER CONSUMPTION, INCLUDING 85% EFFICIENT DRIVER (W)	LIFETIME L70, BASED ON TM-21	COLOUR CONSISTENCY
N/A	85	NARROW	2700	81	32.4	2.5	>50,000 HOURS	2 STEP MACADAM ELLIPSE
	85		3000	92	36.8	2.5		
	80		4200	98	39.2	2.5		
	80		6000	110	44	2.5		

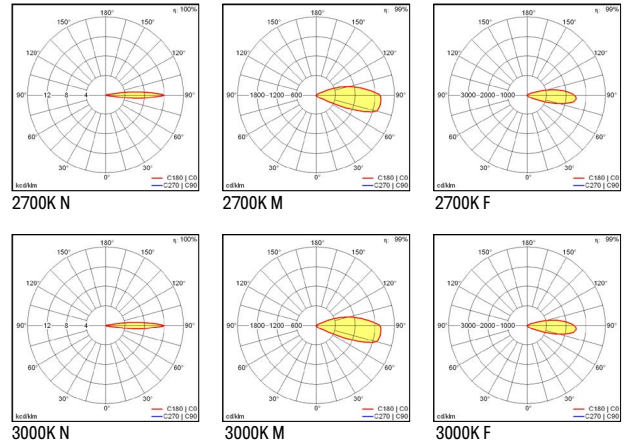
Based on BMF

## CONE DIAGRAM



2700K F

## POLAR PLOT



## BUILD YOUR PRODUCT

PRODUCT		LIGHT ENGINE		OPTICS		FINISH		BEZEL		GLASS		PROTECTION	
ECLIPSE	ECLIPSE 90	80CRI 2700K	-827	NARROW 12°	N	ANODISED ALUMINIUM SILVER	AS	FLANGED	BMF	CLEAR	CG	IP67	67
		80CRI 3000K	-830	MEDIUM 30°	M	ANODISED ALUMINIUM BLACK	ABK	EYELID	BME	FROSTED	FG		
		80CRI 4200K	-842	FLOOD 50°	F	HARD ANODISED SILVER	HS						
		80CRI 6000K	-860	UNCOLLIMATED	U	HARD ANODISED BLACK	HBK						
		RED	-RED										
		GREEN	-GRN										
		BLUE	-BLU										
		AMBER	-AMB										
ECLIPSE 90		-827		N		AS		BMF		CG		67	

## ECLIPSE EXTRAS



SLEEVE  
21100004

## FREQUENTLY SPECIFIED

PRODUCT DESCRIPTION	CODE
ECLIPSE 90-827 F AS BME CG 67	21000088
ECLIPSE 90-830 F AS BME CG 67	21000092
ECLIPSE 90-827 M AS BME CG 67	21000089

PRODUCT DESCRIPTION	CODE
ECLIPSE 90-830 M AS BME CG 67	21000093
ECLIPSE 90-827 N AS BMF CG 67	21005715
ECLIPSE 90-830 N AS BMF CG 67	21005716

	DRIVER	CODE
SW	acdc1900/A/700/SWT/NONE	21100102
DALI	acdc1900/A/700/DALI/SOLO	21100108
DMX	acdc1900/A/700/PHA/NONE	21100114





# **GALAXY**

## **A DIFFERENT DIMENSION**

GALAXY brings a different dimension to our living spaces.

The slim sister to MONDO, they add interest and drama (without the fuss). They bring style and charm, emitting their pencil shaped light from walls, corridors or stairs.

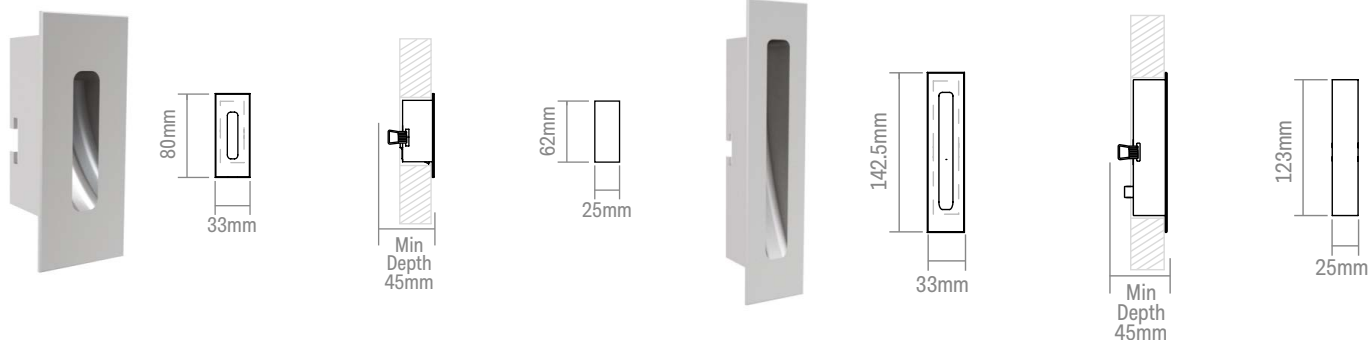
Stylish and charming - what else do you need in life?



# GALAXY

**AN ASYMMETRICAL, RECTANGULAR RECESSED LUMINAIRE PROVIDING A NARROW BEAM OF LIGHT, DELIVERING 20 LUMENS**

**IP65**



## FEATURES

**Minimalistic Design:** Minimal in its design GALAXY is unobtrusive. Its deep recessed LED position and minimal flange hides the LED source from view to minimise any glare, providing comfort to the viewer. Available in two sizes.

**Clean Beam Design (CBD) with wide optic choices:** The optics and internal detailing of the luminaires has been designed to ensure outstanding excellent control of the beam angle and the overall lit effect without stray light or unpleasant imaging.

**Broad choice as standard:** GALAXY is available with a number of colour temperatures and LED colour options adding accents and highlights to the design. Available in 3 finishes including Hard Anodised option for extreme environments and RAL customisation to suit any design.

**Complete Glare Control:** Recessed LED position for complete glare control, hiding the light source from the observers so they have a perfect view with any glare.

**Installation and Mounting:** GALAXY can be fitted within architectural details, walkways and surroundings. Suitable for recessed mounting. Housing can be installed first to allow wiring to be completed, once completed the bezel can be attached. Also allows easy removal for maintenance.

## GLOBAL APPLICATION

Suitable for architectural detailing, walkways, stairs and steps, surroundings and highlighting objects in the public realm. They are suitable for indoor applications with IP65 and for use in ambient temperatures ranging from -20°/+50°C. Providing a level of safeguard when used in extreme and challenging external environments.



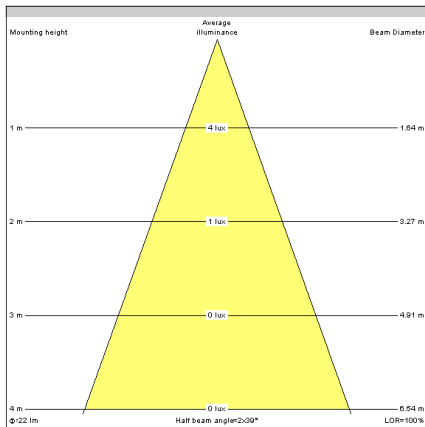


## LIGHT SOURCE INFO

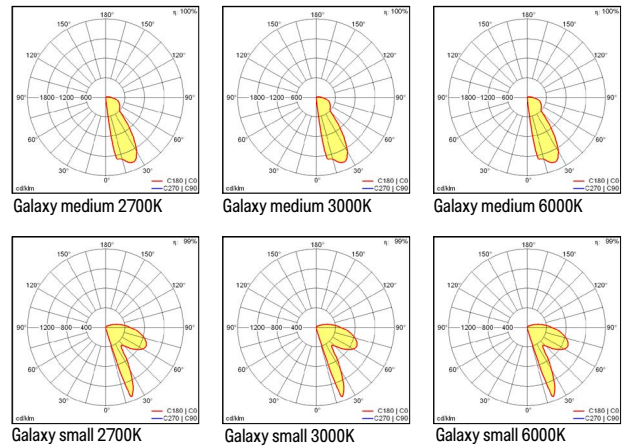
ENGINE TYPE	CRI	OPTIC	COLOUR TEMP (K)	LUMINAIRE LUMEN OUTPUT (lm)	LUMINAIRE LUMENS PER CIRCUIT WATT (lm/cW)	POWER CONSUMPTION, INCLUDING 85% EFFICIENT DRIVER (W)	LIFETIME L70, BASED ON TM-21	COLOUR CONSISTENCY
N/A	85	N/A	2700	19	7.6	2.5	>50,000 HOURS	2 STEP MACADAM ELLIPSE
	85		3000	21	8.4	2.5		
	80		4200	22	8.8	2.5		
	80		6000	24	9.6	2.5		

Based on medium

## CONE DIAGRAM



## POLAR PLOT



## BUILD YOUR PRODUCT

PRODUCT		COLOUR TEMP		BEZEL FINISHES		PROTECTION	
GALAXY SMALL	GALAXY S 20	80CRI 2700K	-827	ANODISED ALUMINUM SILVER	AS	IP65	65
GALAXY MEDIUM	GALAXY M 20	80CRI 3000K	-830	WHITE PAINTED	WH		
		80CRI 4200K	-842	RAL	RAL		
		80CRI 6000K	-860	HARD ANODISED SILVER	HS		
		RED	-RED				
		GREEN	-GRN				
		BLUE	-BLU				
		AMBER	-AMB				
GALAXY S 20		-827		AS		65	

## GALAXY EXTRAS

**SLEEVE**  
Small: 21100000  
Medium: 21100001

## FREQUENTLY SPECIFIED

PRODUCT DESCRIPTION	CODE	PRODUCT DESCRIPTION	CODE	DRIVER	CODE
GALAXY S 20-830 WH 65	21000115	GALAXY S 20- 827 AS 65	21000110	SW	acdc1900/A/700/SWT/NONE
GALAXY S 20-827 WH 65	21000114	GALAXY M 20-830 WH 65	21000121	DALI	acdc1900/A/700/DALI/SOLO
GALAXY S 20-830 AS 65	21000111	GALAXY M 20-830 AS 65	21000117	DMX	acdc1900/A/700/PHA/NONE









# MONDO

## STEP ON

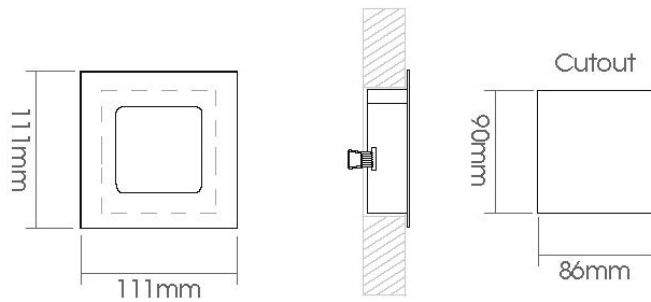
Without having to speak, MONDO's sense of style says a lot about them. Not restricted to indoor detailing, they bring their individual style to the outdoors too (without being in your face).

Wherever they are, their simplicity is the ultimate form of sophistication.

# MONDO

**AN ASYMMETRICAL, SQUARE RECESSED LUMINAIRE DELIVERING 40 AND 70 LUMENS**

**IP65**



## FEATURES

**Minimalistic Design:** Minimal in its design MONDO is unobtrusive. It's deep recessed LED position hides the LED source from view to minimise any glare, providing comfort to the viewer. Available in two sizes.

**Clean Beam Design (CBD) with wide optic choices:** The optics and internal detailing of the luminaires has been designed to ensure outstanding excellent control of the beam angle and the overall lit effect without stray light or unpleasant imaging.

**Broad choice as standard:** MONDO is available with a number of colour temperatures and LED colour options adding accents and highlights to the design. Available in 3 finishes including hard anodised option for extreme environments and RAL customisation to suit any design.

**Complete Glare Control:** Recessed LED position for complete glare control, hiding the light source from the observers so they have a perfect view without any glare.

**Installation and Mounting:** MONDO is installed within architectural details, walls and stairs. Suitable for recessed mounting. Housing can be installed first to allow wiring to be completed, once completed the bezel can be attached. Also allows easy removal for maintenance.

## GLOBAL APPLICATION

Suitable for landscape areas, walkways, stairs, steps, surroundings and highlighting objects in the public realm. They are suitable for outdoor applications with IP65 and for use in ambient temperatures ranging from -20°/+50°C. Providing a level of safeguard when used in extreme and challenging external environments.

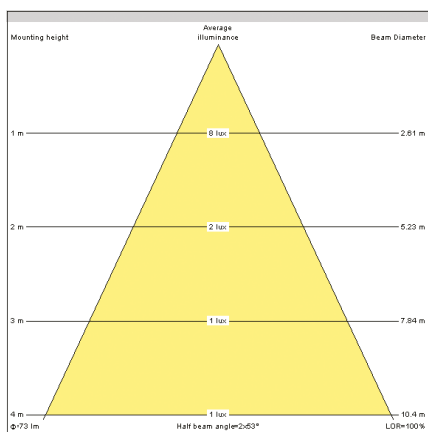




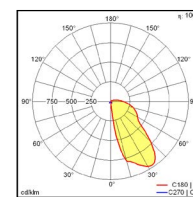
## LIGHT SOURCE INFO

ENGINE TYPE	CRI	OPTIC	COLOUR TEMP (K)	LUMINAIRE LUMEN OUTPUT (lm)	LUMINAIRE LUMENS PER CIRCUIT WATT (lm/cW)	POWER CONSUMPTION. INCLUDING 85% EFFICIENT DRIVER (W)	LIFETIME L70. BASED ON TM-21	COLOUR CONSISTENCY
SMALL	85	N/A	2700	33	13.2	2.5	>50,000 HOURS	2 STEP MACADAM ELLIPSE
	85		3000	36	14.4	2.5		
	80		4200	40	16	2.5		
	80		6000	42	16.8	2.5		
MEDIUM	85	N/A	2700	67	13.4	5	>50,000 HOURS	2 STEP MACADAM ELLIPSE
	85		3000	73	14.6	5		
	80		4200	79	15.8	5		
	80		6000	83	16.6	5		

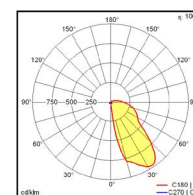
## CONE DIAGRAM



## POLAR PLOT



Mondo medium 2700K M



Mondo small 2700K

## BUILD YOUR PRODUCT

PRODUCT		LIGHT ENGINE		BEZEL		PROTECTION	
MONDO SMALL 36	MONDO S 36	80CRI 2700K	-827	ANODISED ALUMINIUM SILVER	AS	IP65	65
MONDO MEDIUM 70	MONDO M 70	80CRI 3000K	-830	WHITE PAINTED	WH		
		80CRI 4200K	-842	RAL SPECIAL	RAL		
		80CRI 6000K	-860	HARD ANODISED	HS		
		RED	RED				
		GREEN	GRN				
		BLUE	BLU				
		AMBER	AMB				
MONDO S 36		-827		AS		65	

## MONDO EXTRAS

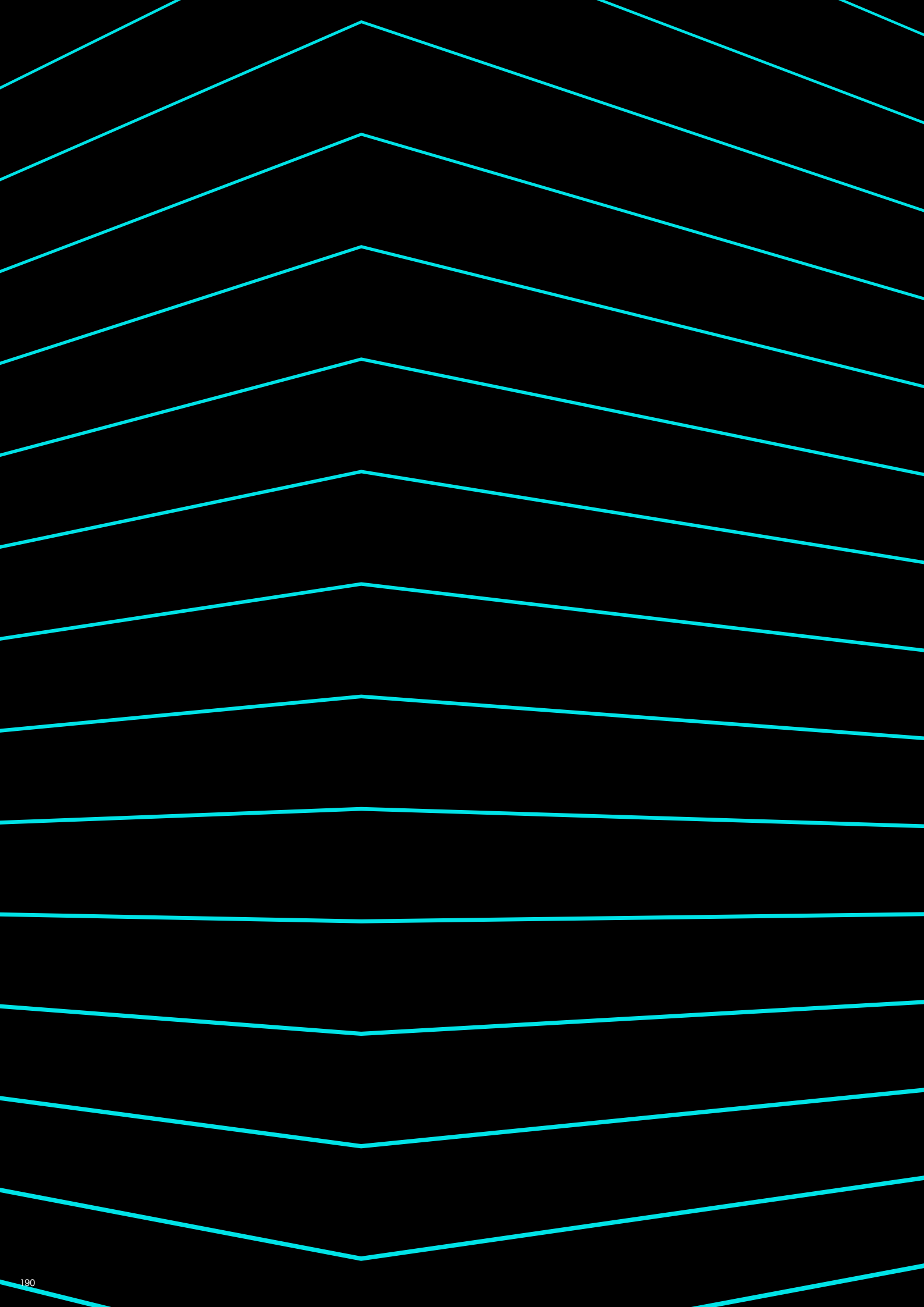


**SLEEVE**  
Small: 21100002  
Medium: 21100003

## FREQUENTLY SPECIFIED

PRODUCT DESCRIPTION	CODE	PRODUCT DESCRIPTION	CODE	DRIVER	CODE
MONDO S 36-827 AS 65	21000125	MONDO M 70-830 AS 65	21000130	SW	acdc1900/A/700/SWT/NONE
MONDO S 36-830 AS 65	21000124	MONDO S 36-827 WH 65	21000126	DALI	acdc1900/A/700/DALI/SOLO
MONDO M 70-827 AS 65	21000131	MONDO M 70-830 WH 65	21000129	DMX	acdc1900/A/700/PHA/NONE

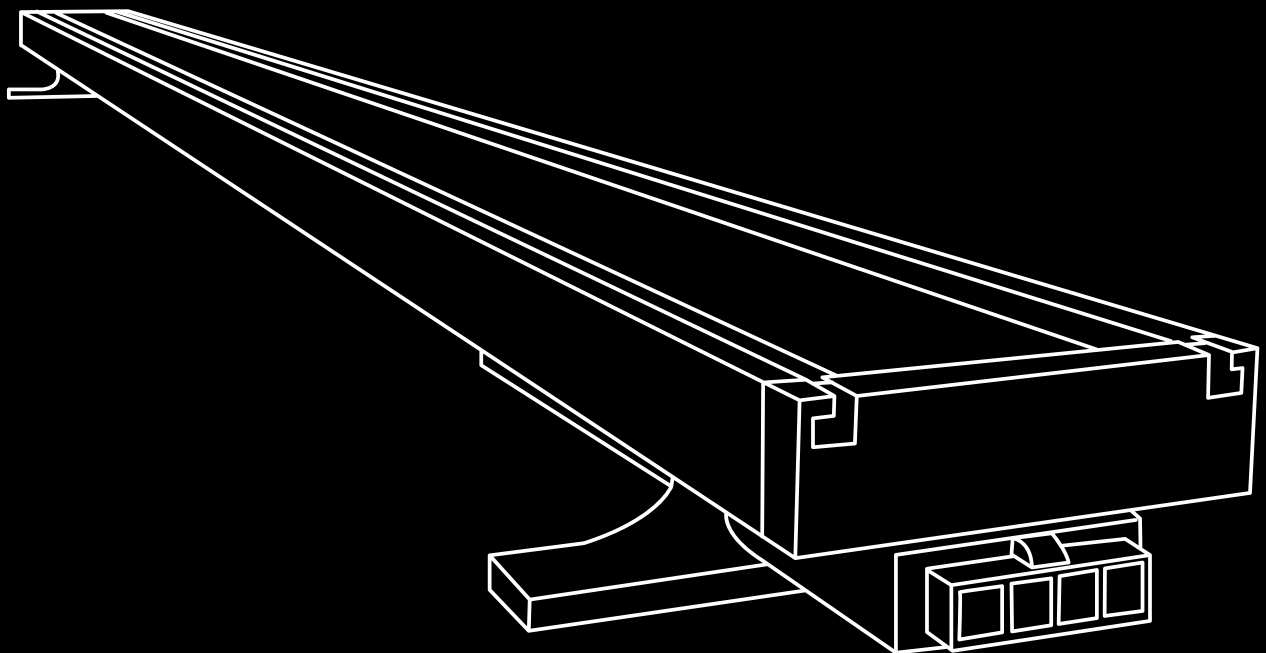






# COVE AND INTEGRATED

ORELLE PRO





acdc





# ORELLE PRO

## SMOOTH

ORELLE PRO is a compact surface mounted linear luminaire that reshapes our view of coffers and coves. This lovely linear transforms our interior spaces by bringing our attention to the height and outline of the space around us.

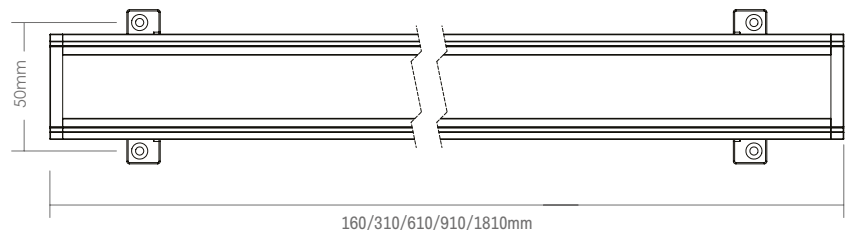
They lift and guide our eyeline around the space, making us curious as to what else there is to see.

ORELLE PRO fills coffers and coves with its smooth glow breathing new life into a space, giving it character, making it unique.

# ORELLE PRO 80CRI

**A COMPACT FLEXIBLE LINEAR LUMINAIRE THAT FOLLOWS SHAPES AND CURVES FOR THE ILLUMINATION OF COFFERS AND COVES**

**IP40**



## FEATURES

**Minimalistic Design:** Minimal in its design ORELLE PRO is designed to blend seamlessly into the scheme. The robust luminaire housing is made from custom made aluminium extrusion to ensure the long life integrity of the product.

**Clean Beam Design (CBD) with wide optic choices:** The optics and internal detailing of the luminaires has been designed to ensure outstanding excellent control of the beam angle and the overall lit effect without stray light or unpleasant imaging. Minimised LED spacing in ORELLE PRO ensures a smooth and even lit effect. 80 and 90 CRI options are also available.

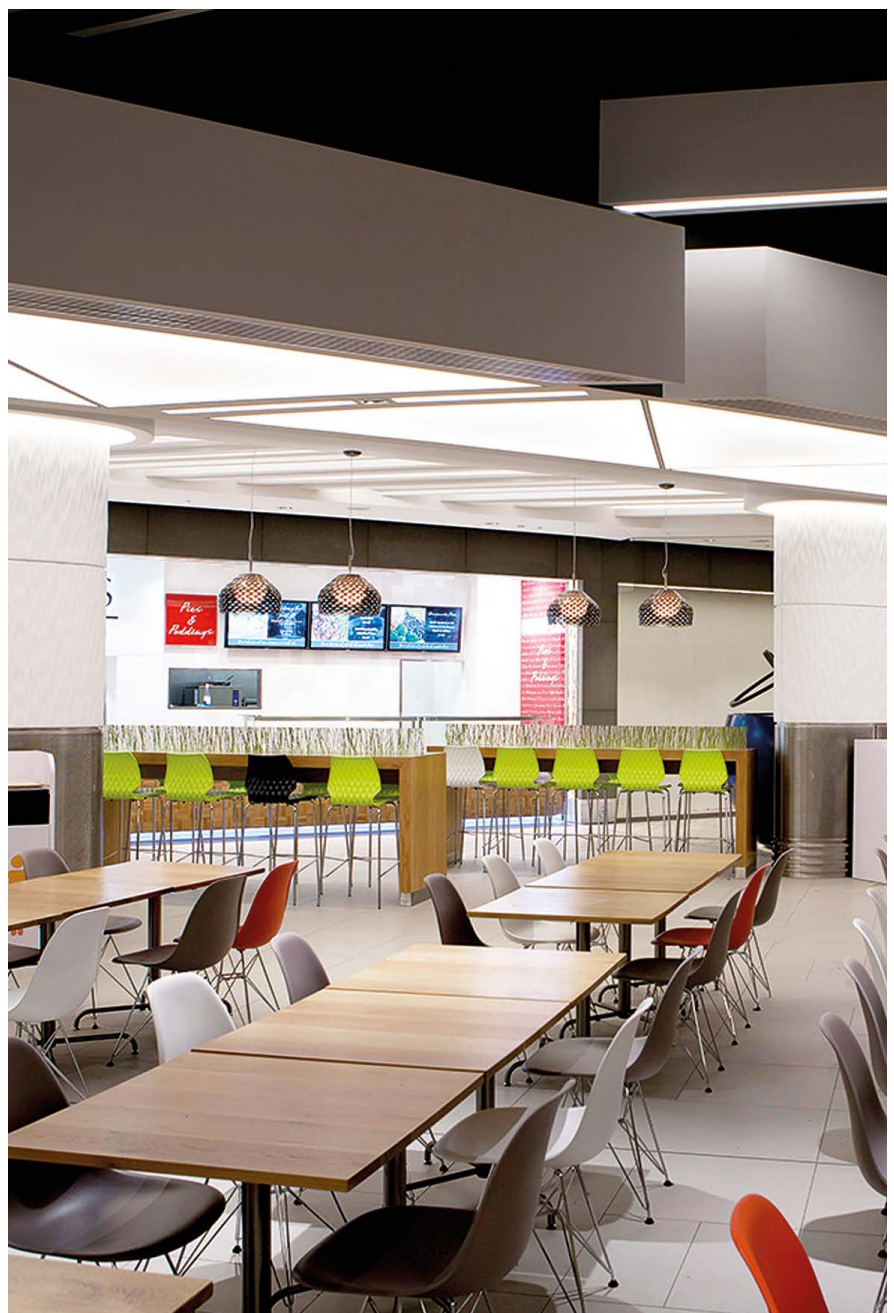
**Broad choice as standard:** ORELLE PRO has two output options (standard and extra bright), five lengths and various colour temperatures ranging from 2700K to 6500K. ORELLE PRO colour rendering is at the highest level at 80 CRI.

**Complete Glare Control:** ORELLE PRO has a number of accessories available to give you complete control of the glare. A choice of lens including a diffused option and cowl accessories to hide the light source from view, so they have a perfect view without any glare.

**Installation and Mounting:** ORELLE PRO can be surface mounted with its adjustable bracket  $\pm 30^\circ$  tilt. The fittings can be installed end to end up to 12m from a single power source and are able to follow architectural shapes and curves with the help of its flexible connector. Installation costs are kept to a minimum as it is quick and easy to fit, with its plug and play connection and live click installation method.

## GLOBAL APPLICATION

Suitable for illuminating coves and coffers. They are suitable for indoor applications with IP40 and for use in ambient temperatures ranging from  $-20^\circ/+50^\circ\text{C}$ . Providing a level of safeguard when used in extreme and challenging external environments.





## LIGHT SOURCE INFO

LENGTH	ENGINE TYPE	CRI	COLOUR TEMP (K)	LUMINAIRE LUMEN OUTPUT (lm)	LUMINAIRE LUMENS PER CIRCUIT WATT (lm/cW)	POWER CONSUMPTION, INCLUDING 85% EFFICIENT DRIVER (W)	LIFETIME L70, BASED ON TM-21	COLOUR CONSISTENCY
L03	STANDARD BRIGHT	80	2700	429	87.6	4.9	>50,000 HOURS	2 STEP MACADAM ELLIPSE
		80	3000	453	92.4	4.9		
		80	4000	446	91.0	4.9		
		80	6500	450	91.8	4.9		

Based on clear glass

## BUILD YOUR PRODUCT

PRODUCT	LENGTH/LUMEN OUTPUT		COLOUR TEMPERATURE		FINISH		LENS		ACCESSORIES		IP RATING			
	LENGTH	LUMEN OUTPUT	80CRI	TEMP	ANODISED SILVER	AS	CLEAR	CG	COWL	CW	IP40	40		
ORELLE PRO	160mm	180	L01	180	80CRI 2700K	-827	ANODISED SILVER	AS	CLEAR	CG	COWL	CW	IP40	40
	310mm	400	L03	400	80CRI 3000K	-830			DIFFUSING LENS	FG	NONE			
	610mm	700	L06	700	80CRI 4000K	-840								
	910mm	1000	L09	1000	80CRI 6500K	-865								
	1810mm	2200	L18	2200										
ORELLE PRO	L18 180		-827		AS		FG		CW		40			

## ORELLE PRO EXTRAS



### COWL

L01: 21100279  
 L03: 21100280  
 L06: 21100281  
 L09: 21100282



### FLEXIBLE CONNECTOR

150mm: 21901883  
 260mm: 21100277  
 DW 260mm: 21100278

## FREQUENTLY SPECIFIED

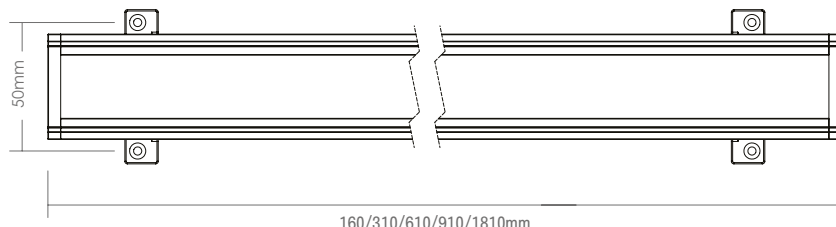
PRODUCT DESCRIPTION	CODE	PRODUCT DESCRIPTION	CODE
ORELLE PRO L01 140-930 AS FG CW 40	21005425	ORELLE PRO L09 1000-827 AS FG CW 40	21005411
ORELLE PRO+ L01 380-827 AS FG 40	21005444	ORELLE PRO L03 400-830 AS FG 40	21005402
ORELLE PRO L09 1000-830 AS FG 40	21005414	ORELLE PRO L03 400-827 AS FG 40	21005400



# ORELLE PRO 90CRI

**A COMPACT FLEXIBLE LINEAR LUMINAIRE THAT FOLLOWS SHAPES AND CURVES FOR THE ILLUMINATION OF COFFERS AND COVES**

**IP40**



## FEATURES

**Minimalistic Design:** Minimal in its design ORELLE PRO is designed to blend seamlessly into the scheme. The robust luminaire housing is made from custom made aluminium extrusion to ensure the long life integrity of the product.

**Clean Beam Design (CBD) with wide optic choices:** The optics and internal detailing of the luminaires has been designed to ensure outstanding excellent control of the beam angle and the overall lit effect without stray light or unpleasant imaging. Minimised LED spacing in ORELLE PRO ensures a smooth and even lit effect. 80 and 90 CRI options are also available.

**Broad choice as standard:** ORELLE PRO has two output options (standard and extra bright), five lengths and various colour temperatures ranging from 2700K to 6500K. ORELLE PRO colour rendering is at the highest level at 80 CRI.

**Complete Glare Control:** ORELLE PRO has a number of accessories available to give you complete control of the glare. A choice of lens including a diffused option and cowl accessories to hide the light source from view, so they have a perfect view without any glare.

**Installation and Mounting:** ORELLE PRO can be surface mounted with its adjustable bracket +/-30° tilt. The fittings can be installed end to end up to 12m from a single power source and are able to follow architectural shapes and curves with the help of its flexible connector. Installation costs are kept to a minimum as it is quick and easy to fit, with its plug and play connection and live click installation method.

## GLOBAL APPLICATION

Suitable for illuminating coves and coffers. They are suitable for indoor applications with IP40 and for use in ambient temperatures ranging from -20°/+50°C. Providing a level of safeguard when used in extreme and challenging external environments.





## LIGHT SOURCE INFO

LENGTH	ENGINE TYPE	CRI	COLOUR TEMP (K)	LUMINAIRE LUMEN OUTPUT (lm)	LUMINAIRE LUMENS PER CIRCUIT WATT (lm/cW)	POWER CONSUMPTION. INCLUDING 85% EFFICIENT DRIVER (W)	LIFETIME L70. BASED ON TM-21	COLOUR CONSISTENCY
L03	STANDARD BRIGHT	90	2700	347	70.8	4.9	>50,000 HOURS	2 STEP MACADAM ELLIPSE
		90	3000	366	74.7	4.9		

Based on clear glass

## BUILD YOUR PRODUCT

PRODUCT	LENGTH/LUMEN OUTPUT		COLOUR TEMPERATURE		FINISH		LENS		ACCESSORIES		IP RATING	
	LENGTH	LUMEN OUTPUT	90CRI	TEMP (K)	ANODISED SILVER	AS	CLEAR	CG	COWL	CW	IP40	40
ORELLE PRO	160mm	140	90CRI	2700K	-927	AS	CLEAR	CG	COWL	CW	IP40	40
	310mm	300	90CRI	3000K	-930		DIFFUSING LENS	FG	NONE			
	610mm	600										
	910mm	900										
	1810mm	1800										
ORELLE PRO	L01 140		-927		AS		FG		CW		40	

## ORELLE PRO EXTRAS



### COWL

L01: 21100279  
 L03: 21100280  
 L06: 21100281  
 L09: 21100282



### FLEXIBLE CONNECTOR

150mm: 21901883  
 260mm: 21100277  
 DW 260mm: 21100278

## FREQUENTLY SPECIFIED

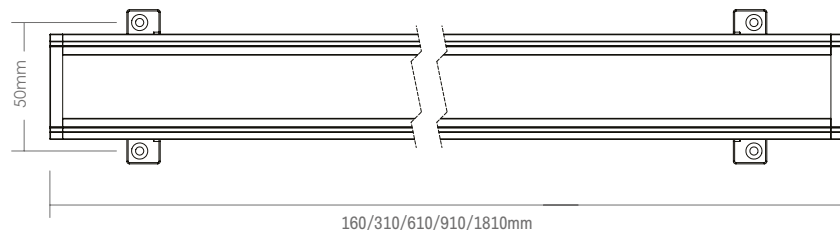
PRODUCT DESCRIPTION	CODE
ORELLE PRO L01 140-930 AS FG CW 40	21005425
ORELLE PRO+ L01 380-827 AS FG 40	21005444
ORELLE PRO L09 1000-830 AS FG 40	21005414

PRODUCT DESCRIPTION	CODE
ORELLE PRO L09 1000-827 AS FG CW 40	21005411
ORELLE PRO L03 400-830 AS FG 40	21005402
ORELLE PRO L03 400-827 AS FG 40	21005400

# ORELLE PRO+ 80CRI

**A COMPACT FLEXIBLE LINEAR LUMINAIRE THAT FOLLOWS SHAPES AND CURVES FOR THE ILLUMINATION OF COFFERS AND COVES**

**IP40**



## FEATURES

**Minimalistic Design:** Minimal in its design ORELLE PRO is designed to blend seamlessly into the scheme. The robust luminaire housing is made from custom made aluminium extrusion to ensure the long life integrity of the product.

**Clean Beam Design (CBD) with wide optic choices:** The optics and internal detailing of the luminaires has been designed to ensure outstanding excellent control of the beam angle and the overall lit effect without stray light or unpleasant imaging. Minimised LED spacing in ORELLE PRO ensures a smooth and even lit effect. 80 and 90 CRI options are available.

**Installation and Mounting:** ORELLE PRO can be surface mounted with its adjustable bracket +/-30° tilt. The fittings can be installed end to end up to 12m from a single power source and are able to follow architectural shapes and curves with the help of its flexible connector. Installation costs are kept to a minimum as it is quick and easy to fit, with its plug and play connection and live click installation method.

**Broad choice as standard:** ORELLE PRO has two output options (standard and extra bright), five lengths and various colour temperatures ranging from 2700K to 6500K. ORELLE PRO+ colour rendering is at the highest level at 80 CRI.

**Complete Glare Control:** ORELLE PRO has a number of accessories available to give you complete control of the glare. A choice of lens including a diffused option and cowl accessories to hide the light source from view, will provide a perfect view with no glare.

## GLOBAL APPLICATION

Suitable for illuminating coves and coffers. They are suitable for indoor applications with IP40 and for use in ambient temperatures ranging from -20°/+50°C. Providing a level of safeguard when used in extreme and challenging external environments.







## LIGHT SOURCE INFO

LENGTH	ENGINE TYPE	CRI	COLOUR TEMP (K)	LUMINAIRE LUMEN OUTPUT (lm)	LUMINAIRE LUMENS PER CIRCUIT WATT (lm/cW)	POWER CONSUMPTION, INCLUDING 85% EFFICIENT DRIVER (W)	LIFETIME L70. BASED ON TM-21	COLOUR CONSISTENCY
L03	EXTRA BRIGHT	80	2700	911	67.0	13.6	>50,000 HOURS	2 STEP MACADAM ELLIPSE
		80	3000	962	70.7	13.6		
		80	4000	947	69.6	13.6		
		80	6500	956	70.3	13.6		

Based on clear glass

## BUILD YOUR PRODUCT

PRODUCT	LENGTH/LUMEN OUTPUT		COLOUR TEMPERATURE		FINISH		LENS		ACCESSORIES		IP RATING		
	LENGTH	LUMEN OUTPUT	COLOUR TEMP	TEMP (K)	ANODISED SILVER	AS	CLEAR	CG	COWL	CW	IP40	40	
ORELLE PRO+	160mm	380	L01 380	80CRI 2700K	-827	ANODISED SILVER	AS	CLEAR	CG	COWL	CW	IP40	40
	310mm	800	L03 800	80CRI 3000K	-830			DIFFUSING LENS	FG	NONE			
	610mm	1600	L06 1600	80CRI 4000K	-840								
	910mm	2400	L09 2400	80CRI 6500K	-865								
	1810mm	4600	L18 4600										
ORELLE PRO+		L01 380		-827		AS		FG		CW		40	

## ORELLE PRO EXTRAS



### COWL

L01: 21100279  
L03: 21100280  
L06: 21100281  
L09: 21100282



### FLEXIBLE CONNECTOR

150mm: 21901883  
260mm: 21100277  
DW 260mm: 21100278

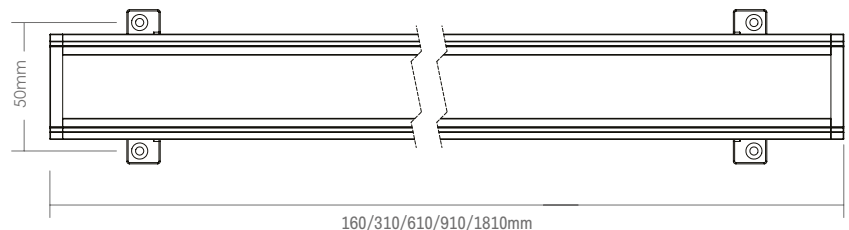
## FREQUENTLY SPECIFIED

PRODUCT DESCRIPTION	CODE	PRODUCT DESCRIPTION	CODE
ORELLE PRO L01 140-930 AS FG CW 40	21005425	ORELLE PRO L09 1000-827 AS FG CW 40	21005411
ORELLE PRO+ L01 380-827 AS FG 40	21005444	ORELLE PRO L03 400-830 AS FG 40	21005402
ORELLE PRO L09 1000-830 AS FG 40	21005414	ORELLE PRO L03 400-827 AS FG 40	21005400

# ORELLE PRO+ 90CRI

**A COMPACT FLEXIBLE LINEAR LUMINAIRE THAT FOLLOWS SHAPES AND CURVES FOR THE ILLUMINATION OF COFFERS AND COVES**

**IP40**



## FEATURES

**Minimalistic Design:** Minimal in its design ORELLE PRO is designed to blend seamlessly into the scheme. The robust luminaire housing is made from custom made aluminium extrusion to ensure the long life integrity of the product.

**Clean Beam Design (CBD) with wide optic choices:** The optics and internal detailing of the luminaires has been designed to ensure outstanding excellent control of the beam angle and the overall lit effect without stray light or unpleasant imaging. Minimised LED spacing in ORELLE PRO ensures a smooth and even lit effect. 80 and 90 CRI options are available.

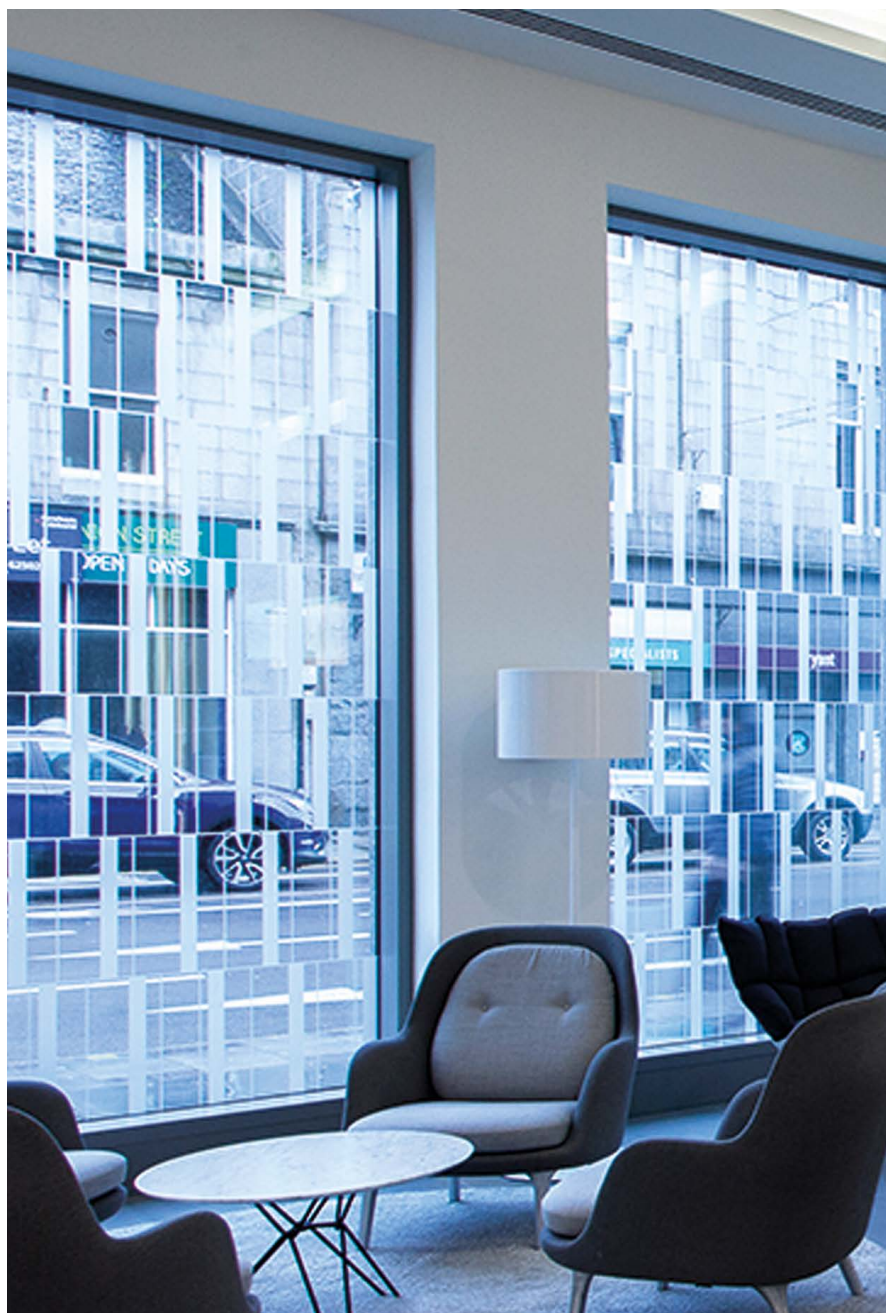
**Installation and Mounting:** ORELLE PRO can be surface mounted with its adjustable bracket  $\pm 30^\circ$  tilt. The fittings can be installed end to end up to 12m from a single power source and are able to follow architectural shapes and curves with the help of its flexible connector. Installation costs are kept to a minimum as it is quick and easy to fit, with its plug and play connection and live click installation method.

**Broad choice as standard:** ORELLE PRO has two output options (standard and extra bright), five lengths and various colour temperatures ranging from 2700K to 6500K. ORELLE PRO+ colour rendering is at the highest level at 80 CRI.

**Complete Glare Control:** ORELLE PRO has a number of accessories available to give you complete control of the glare. A choice of lens including a diffused option and cowl accessories to hide the light source from view, will provide a perfect view with no glare.

## GLOBAL APPLICATION

Suitable for illuminating coves and coffers. They are suitable for indoor applications with IP40 and for use in ambient temperatures ranging from  $-20^\circ/+50^\circ\text{C}$ . Providing a level of safeguard when used in extreme and challenging external environments.





## LIGHT SOURCE INFO

LENGTH	ENGINE TYPE	CRI	COLOUR TEMP (K)	LUMINAIRE LUMEN OUTPUT (lm)	LUMINAIRE LUMENS PER CIRCUIT WATT (lm/cW)	POWER CONSUMPTION. INCLUDING 85% EFFICIENT DRIVER (W)	LIFETIME L70. BASED ON TM-21	COLOUR CONSISTENCY
L03	EXTRA BRIGHT	90	2700	736	54.1	13.6	>50,000 HOURS	2 STEP MACADAM ELLIPSE
		90	3000	777	57.1	13.6		

Based on clear glass

## BUILD YOUR PRODUCT

PRODUCT	LENGTH/LUMEN OUTPUT		COLOUR TEMPERATURE		FINISH		LENS		ACCESSORIES		IP RATING			
	LENGTH	LUMEN OUTPUT	90CRI	TEMP (K)	ANODISED SILVER	AS	CLEAR	CG	COWL	CW	IP40	40		
ORELLE PRO+	160mm	300	L01	300	90CRI 2700K	-927	ANODISED SILVER	AS	CLEAR	CG	COWL	CW	IP40	40
	310mm	600	L03	600	90CRI 3000K	-930			DIFFUSING LENS	FG	NONE			
	610mm	1200	L06	1200										
	910mm	1900	L09	1900										
	1810mm	3800	L18	3800										
ORELLE PRO+		L01	300		-927		AS		FG		CW		40	

## ORELLE PRO EXTRAS



### COWL

L01: 21100279  
L03: 21100280  
L06: 21100281  
L09: 21100282



### FLEXIBLE CONNECTOR

150mm: 21901883  
260mm: 21100277  
DW 260mm: 21100278

## FREQUENTLY SPECIFIED

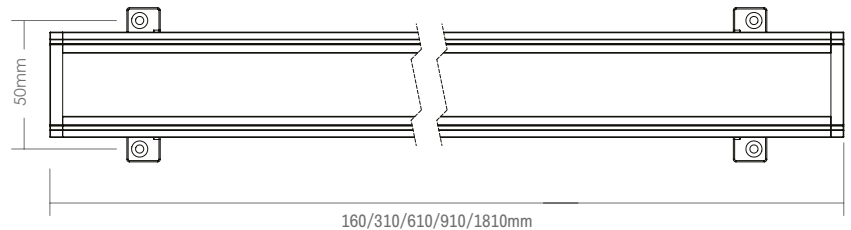
PRODUCT DESCRIPTION	CODE	PRODUCT DESCRIPTION	CODE
ORELLE PRO L01 140-930 AS FG CW 40	21005425	ORELLE PRO L09 1000-827 AS FG CW 40	21005411
ORELLE PRO+ L01 380-827 AS FG 40	21005444	ORELLE PRO L03 400-830 AS FG 40	21005402
ORELLE PRO L09 1000-830 AS FG 40	21005414	ORELLE PRO L03 400-827 AS FG 40	21005400



# ORELLE PRO DYNAMIC WHITE

**A COMPACT FLEXIBLE LINEAR LUMINAIRE THAT FOLLOWS SHAPES AND CURVES FOR THE ILLUMINATION OF COFFERS AND COVES**

**IP40**



## FEATURES

**Minimalistic Design:** Minimal in its design ORELLE PRO is designed to blend seamlessly into the scheme. The robust luminaire housing is made from custom made aluminium extrusion to ensure the long life integrity of the product.

**Clean Beam Design (CBD) with wide optic choices:** The optics and internal detailing of the luminaires has been designed to ensure outstanding excellent control of the beam angle and the overall lit effect without stray light or unpleasant imaging. Minimised LED spacing in ORELLE PRO ensures a smooth and even lit effect. 80 and 90 CRI options are also available.

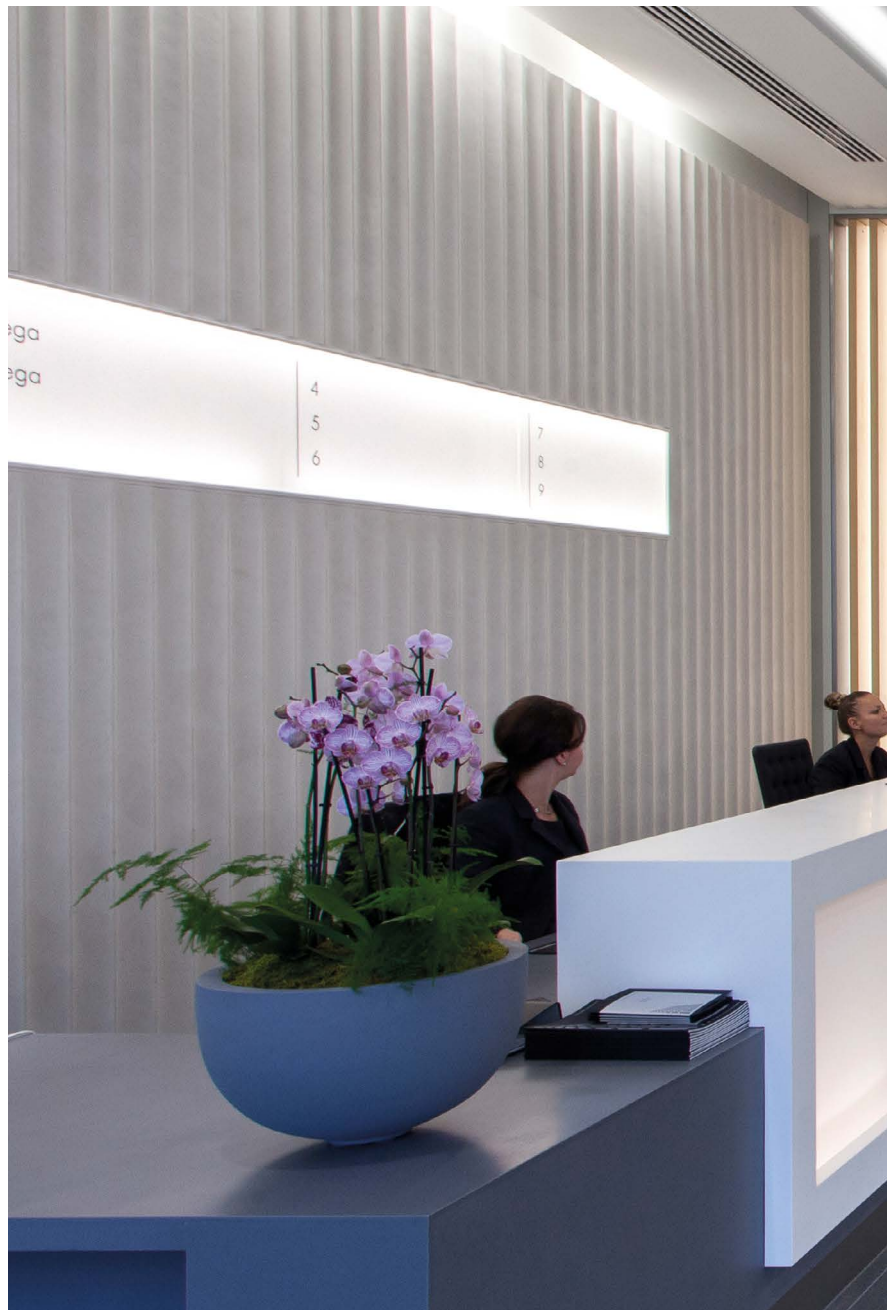
**Installation and Mounting:** ORELLE PRO can be surface mounted with its adjustable bracket  $\pm 30^\circ$  tilt. The fittings can be installed end to end up to 12m from a single power source and are able to follow architectural shapes and curves with the help of its flexible connector. Installation costs are kept to a minimum as it is quick and easy to fit, with its plug and play connection and live click installation method.

**Broad choice as standard:** ORELLE PRO has two output options (standard and extra bright), five lengths and various colour temperatures including Dynamic White so the light can be precisely tuned.

**Complete Glare Control:** ORELLE PRO has a number of accessories available to give you complete control of the glare. A choice of lens including a diffused option and cowl accessories to hide the light source from view, will provide a perfect view without any glare.

## GLOBAL APPLICATION

Suitable for illuminating coves and coffers. They are suitable for indoor applications with IP40 and for use in ambient temperatures ranging from  $-20^\circ/+50^\circ\text{C}$ . Providing a level of safeguard when used in extreme and challenging external environments.





## LIGHT SOURCE INFO

LENGTH	ENGINE TYPE	CRI	COLOUR TEMP (K)	LUMINAIRE LUMEN OUTPUT (lm)	LUMINAIRE LUMENS PER CIRCUIT WATT (lm/cW)	POWER CONSUMPTION, INCLUDING 85% EFFICIENT DRIVER (W)	LIFETIME L70, BASED ON TM-21	COLOUR CONSISTENCY
L03	DYNAMIC WHITE	83	2700	192	48.0	4	>50,000 HOURS	2 STEP MACADAM ELLIPSE
		84	3000	211	42.2	5		
		88	4200	397	56.7	7		
		86	6500	217	54.3	4		

Based on clear glass

## BUILD YOUR PRODUCT

PRODUCT	LENGTH/LUMEN OUTPUT		COLOUR TEMPERATURE		FINISH		LENS		ACCESSORIES		IP RATING	
ORELLE PRO	160mm 100	L01 100	DYNAMIC WHITE	-DW	ANODISED SILVER	AS	CLEAR	CG	COWL	CW	IP40	40
	310mm 200	L03 200					DIFFUSING LENS	FG	NONE			
	610mm 400	L06 400										
	910mm 600	L09 600										
	1810mm 1300	L018 1300										
ORELLE PRO	L01 100		-DW		AS		FG		CW		40	

## ORELLE PRO EXTRAS



### COWL

L01: 21100279  
 L03: 21100280  
 L06: 21100281  
 L09: 21100282



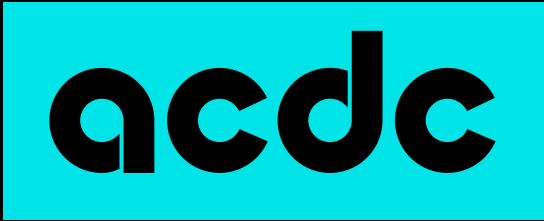
### FLEXIBLE CONNECTOR

150mm: 21901883  
 260mm: 21100277  
 DW 260mm: 21100278

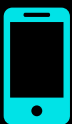
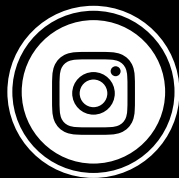
## FREQUENTLY SPECIFIED

PRODUCT DESCRIPTION	CODE
ORELLE PRO L01 140-930 AS FG CW 40	21005425
ORELLE PRO+ L01 380-827 AS FG 40	21005444
ORELLE PRO L09 1000-830 AS FG 40	21005414

PRODUCT DESCRIPTION	CODE
ORELLE PRO L09 1000-827 AS FG CW 40	21005411
ORELLE PRO L03 400-830 AS FG 40	21005402
ORELLE PRO L03 400-827 AS FG 40	21005400



# KEEP IN TOUCH



+44 (0) 845 862 6400



[www.acdclighting.com](http://www.acdclighting.com)



[acdc.service@zumtobelgroup.com](mailto:acdc.service@zumtobelgroup.com)