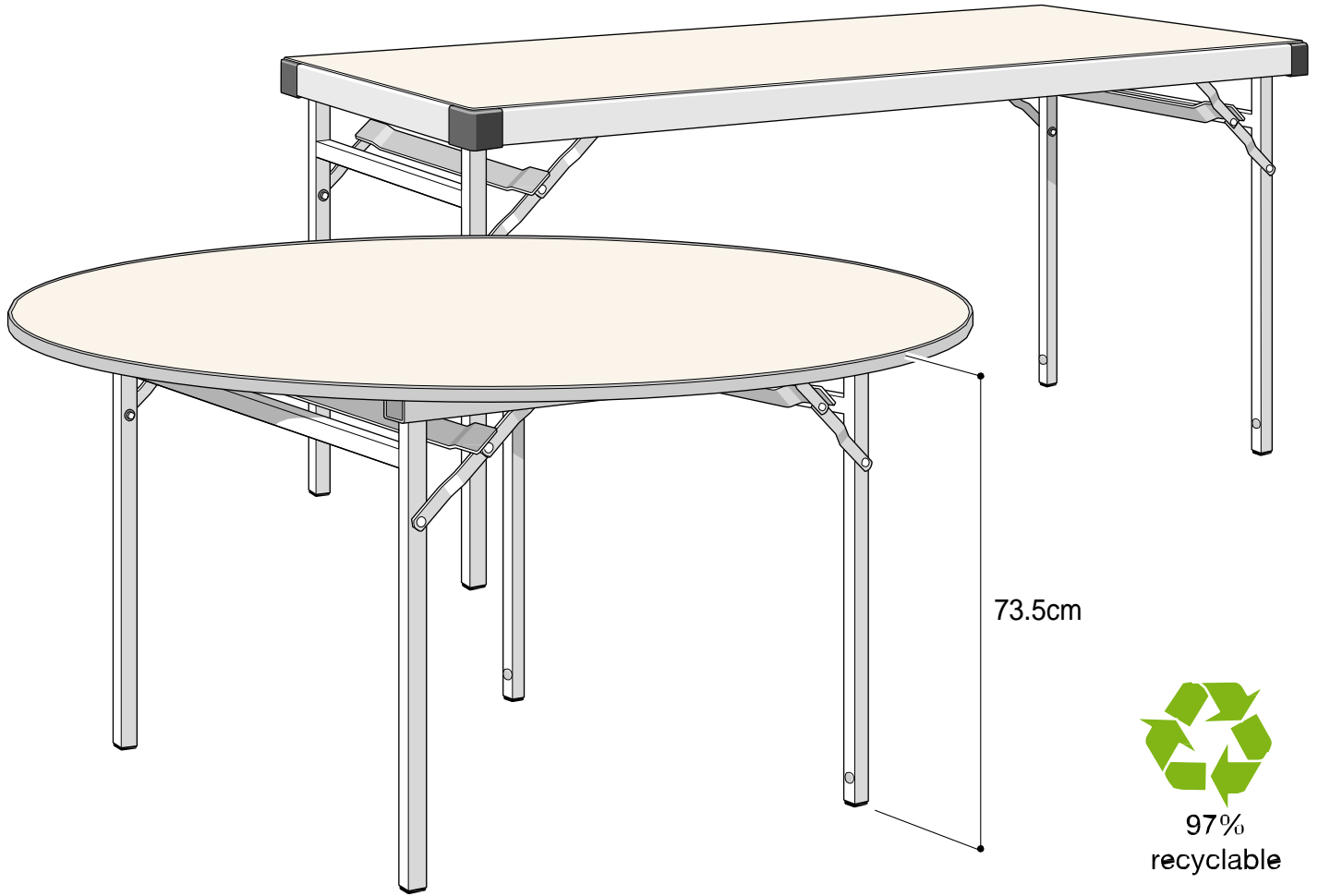


Alu-Lite[®] tables





STANDARD ALU-LITE TABLES IN ROUNDS AND RECTANGULAR

QUALITY

The Alu-Lite range, with its patented engineering, is produced to a high-end specification, including 100% aluminium frames and 2.5mm solid laminate tops, which are heat resistant and waterproof, for strength and durability.

Alu-Lite's Advantages



Fast set-up/breakdown: Both set-up and breakdown of rooms is quicker than with conventional banquet tables, with attendant implications for efficiency and cost-savings.



97% recyclable: Alu-Lite tables are manufactured from aluminium (97%) and laminate resin (3%). All of the aluminium can be recovered and recycled.

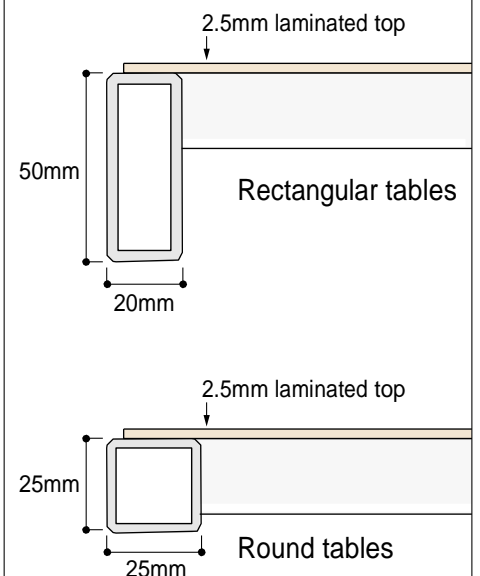


Great for outdoor use: Alu-Lite tables can be used and stored outside. Aluminium is inherently highly resistant to corrosion, making it particularly advantageous for use near coastal resorts.

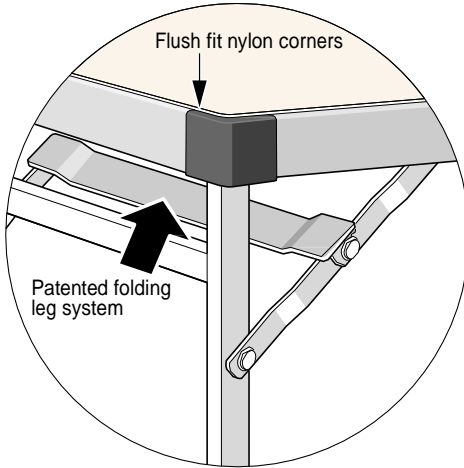


Less Damage to Property: The lower weight of these tables means that they cannot be used by staff to bang open doors, and they are less likely to cause damage to walls and doorframes.

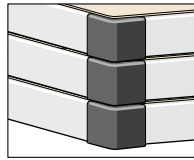
Table edge sections



Flush fit corners



Flush fit corners are standard on all rectangular Alu-Lite tables. The new nylon corners adds strength and improves corner impact resistance. It also incorporates a stacking buffer that allows tables to be stacked and stored with ease.

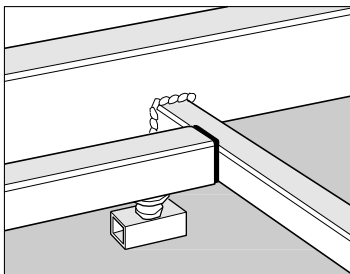
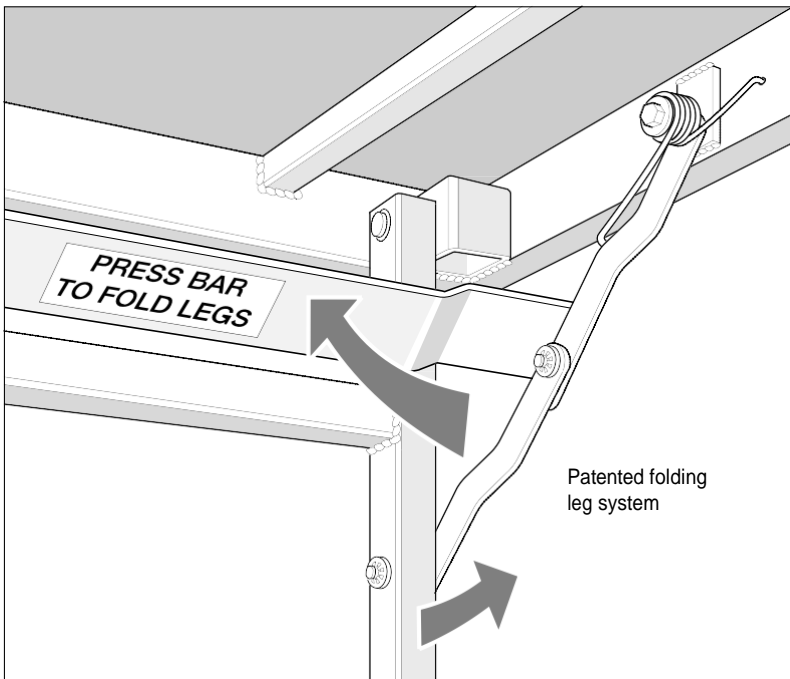


Sizes, shapes and weights

75cm	7.8 Kgs	8.8 Kgs	9.8 Kgs	10.9 Kgs	14.5 Kgs
AFT8075	80cm				
AFT1275		120cm			
AFT1575			150cm		
AFT1875				180cm	
AFT2475					240cm

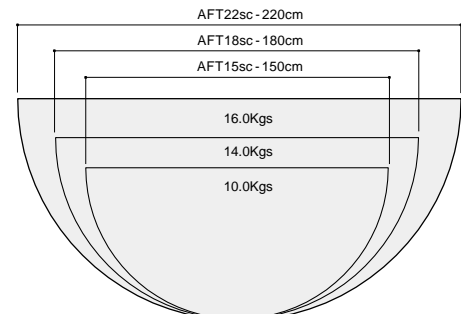
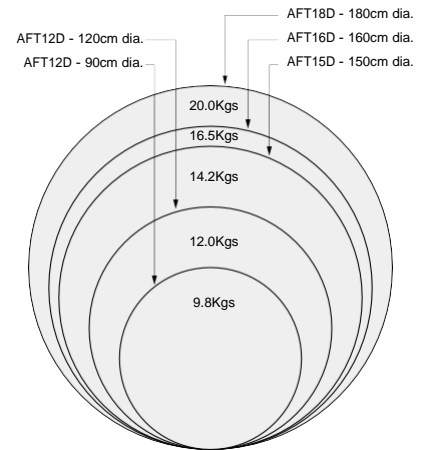
60cm	8 Kgs	9.2 Kgs	10.2 Kgs
AFT1260	120cm		
AFT1560		150cm	
AFT1860			180cm

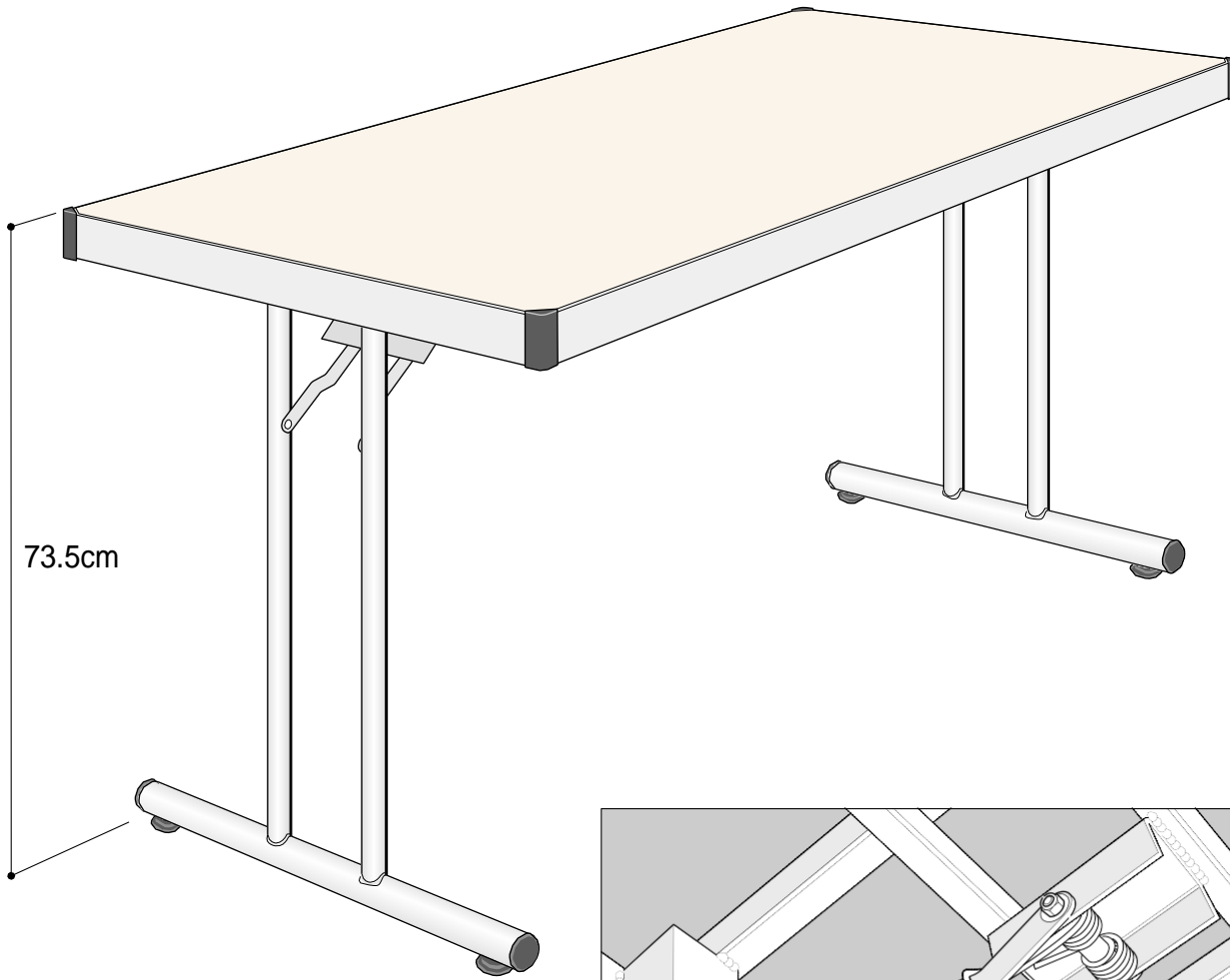
45cm	7.2 Kgs	8.5 Kgs	9.7 Kgs	10.7 Kgs	11.5 Kgs
AFT1245	120cm				
AFT1545		150cm			
AFT1845			180cm		
AFT2045				200cm	
AFT2245					220cm



Folding leg system

The patented spring loaded folding leg system is a smooth positive action locking the legs when open and holding the legs securely when closed with a magnetic catch.

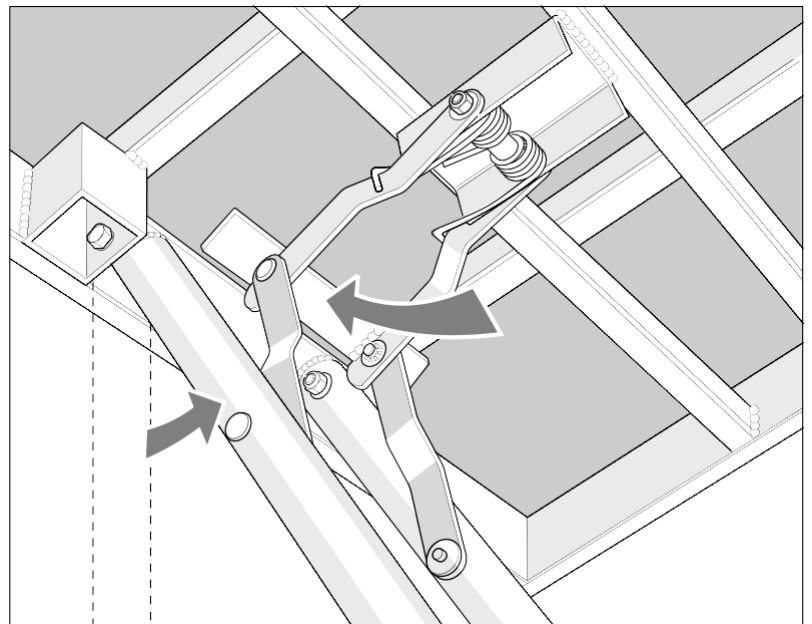
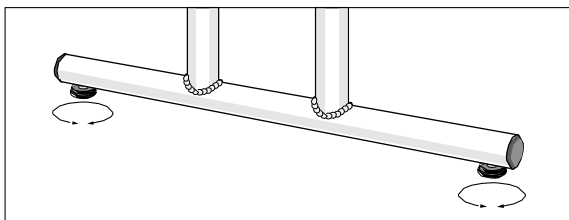




ALU-LITE TABLES WITH T-BAR LEGS

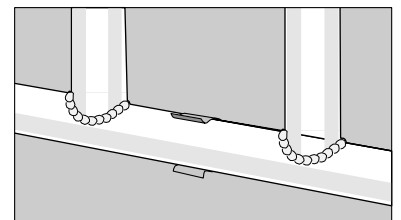
T-bar leg design

The T-bar leg design offers an alternative to the traditional corner leg positioning. Adjustable glides for levelling are built into to feet.



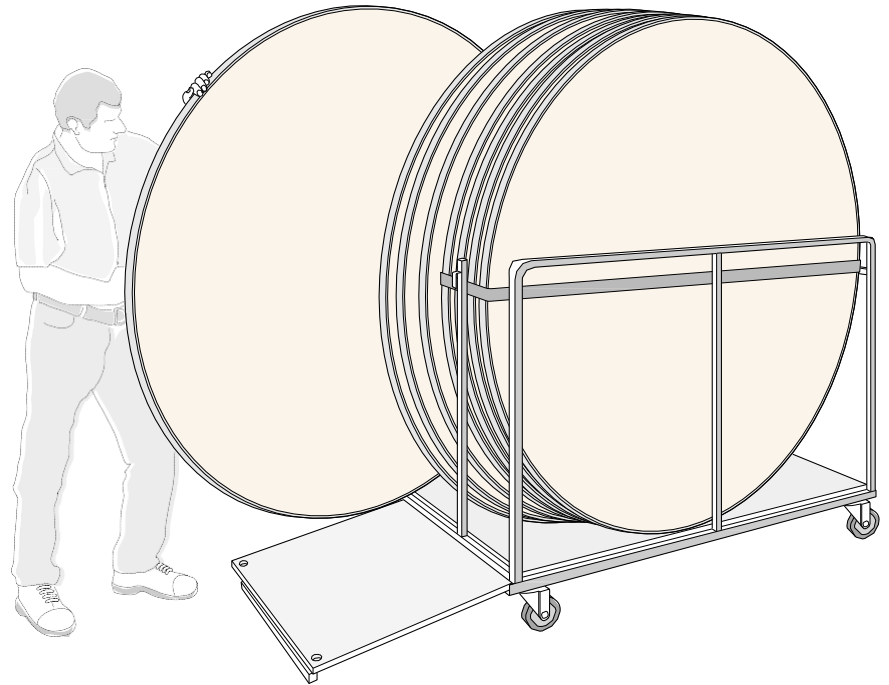
Folding leg system

The patented spring loaded folding leg system is a smooth positive action locking the legs when open and holding the legs securely when closed with a mechanical clasp.

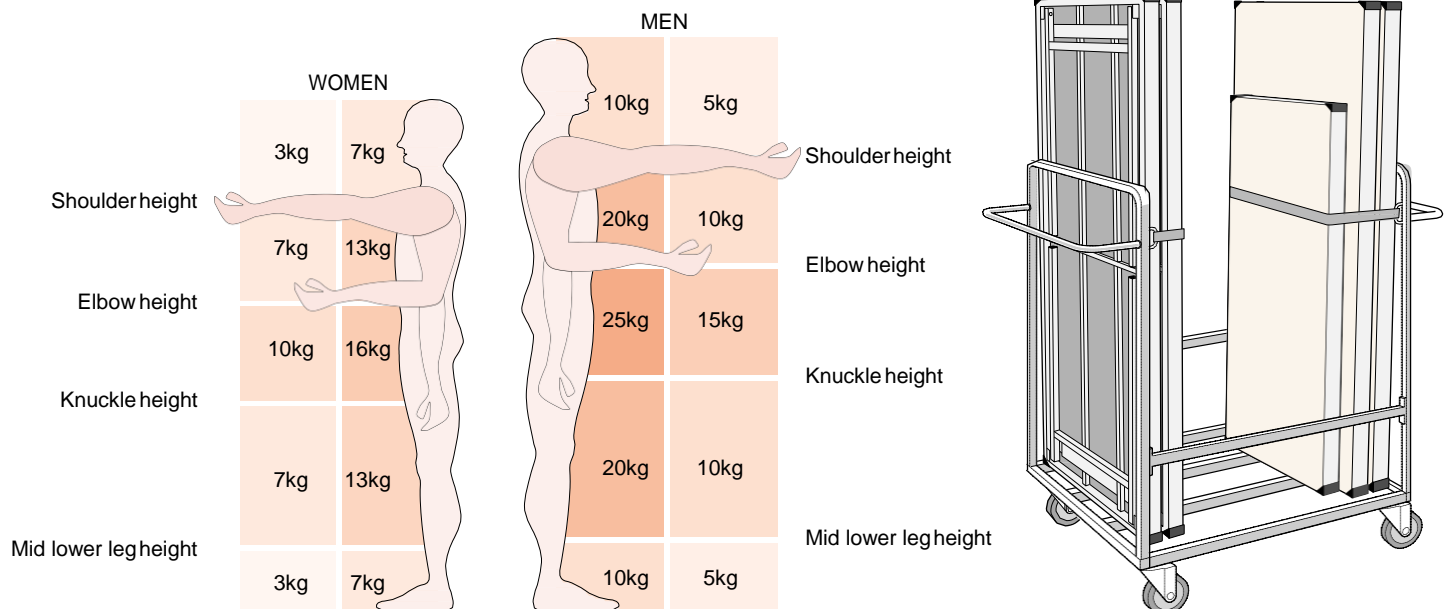


HEALTH AND SAFETY

- Alu-Lite tables range from 8kgs in weight to 20 kgs for a 180cm Ø table - less than half the weight of a standard banquet table of the same size (45kgs).
- The spring-action leg locks and magnetic retention of legs when folded reduce the danger of accidents to hands and fingers.
- Fewer staff days lost to back pain.
- All tables in the Alu-Lite range conform to the recommended EU guidelines for lifting weights in the workplace



EU guidelines for lifting and lowering weights



EU Guidelines for lifting and lowering weights

Does this mean these limits must not exceed?

No. The risk assessment guidelines are not 'safe limits' for lifting. But working outside the guidelines is likely to increase the risk of injury, so examine closely for possible improvements. Work should be made less demanding if it is reasonably practicable to do so. *The use of table trolleys can assist with this.*

The main duty is to avoid lifting operations that involve the risk of injury. Where it is not practical to do this, each operation must be properly assessed to reduce the risk of injury to the lowest level reasonably practicable and the risk of injury minimised.

Table top colour range for Alu-Lite[®] tables



Beech



Cherry



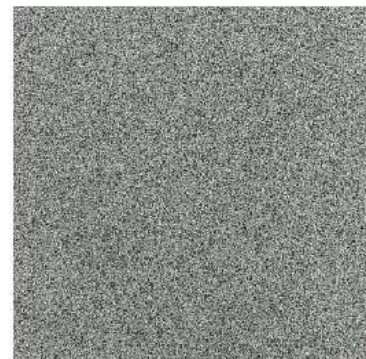
Oak



Maple



Walnut



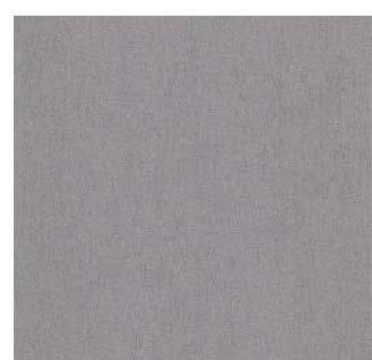
Speckled Grey



Black



White



Dura Sheffield
(Additional cost, please enquire)