

Choice Basics® Product Guide





Cabinets that function the way you do.™

Choice Cabinet is the premier supplier of all wood cabinets at substantial savings. With over 25 years of cabinetry experience, we know what it takes to build a quality and attractive cabinet for every room of your home.

Get back to the basics with our Choice Basics® line of cabinetry. Each door style features its own all wood construction and each was strategically selected and engineered with price in mind.

Choice cabinetry is made of only the finest materials - no particle board, glue, or staples, and each cabinet is built to order right here in North America by trained professionals.

We like to refer to our cabinets as *affordable elegance*, because your dream kitchen shouldn't have to be just a dream.

For cabinets that function the way you do, make the right choice.

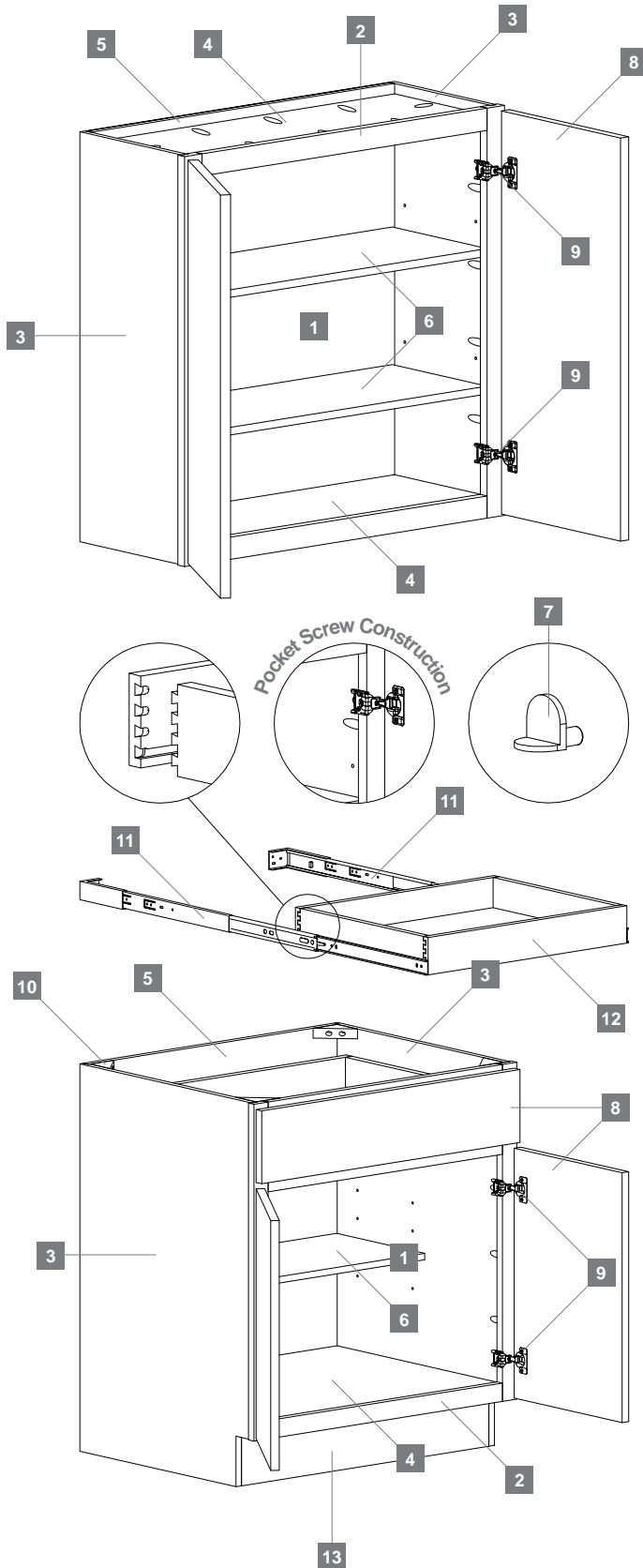




JAVA

This rich dark brown finish with black overtones suits modern style designs seeking departure from the traditional trends. The full overlay, natural hardwood maple veneered slab door and drawer provide a sleek surface for decorative hardware application such as stainless steel bar pulls. The Java will create a dramatic statement to any space while complementing a variety of interior trends.

JAVA CONSTRUCTION



1 - INTERIOR
Natural Birch interior
2 - FACE FRAME
$\frac{3}{4}$ " solid Maple face frame
3 - END PANELS
$\frac{1}{2}$ " veneered plywood end panels with exterior finished to match
4 - FLOOR & CEILING PANELS
$\frac{3}{8}$ " veneered plywood captured ceiling and floor panel with exterior finished to match
5 - BACK PANEL
Framed back panel with hardboard backing*
6 - SHELVES
$\frac{1}{2}$ " veneered plywood half depth, adjustable shelving
7 - SHELF SUPPORTS
Metal shelf clips
8 - DOORS & DRAWER FRONTS
Full overlay wood veneered MDF slab
9 - HINGES
6-way adjustable concealed hinges with optional soft close
10 - CORNER BRACES
$\frac{3}{4}$ " solid wood corner braces
11 - DRAWER GLIDES
Full extension side mount drawer glides
12 - DRAWER BOX
$\frac{5}{8}$ " veneered plywood dovetailed drawer with $\frac{3}{8}$ " veneered plywood drawer bottom
13 - TOE KICK
4 $\frac{1}{2}$ " high and $\frac{1}{2}$ " thick veneered plywood unfinished toe kick

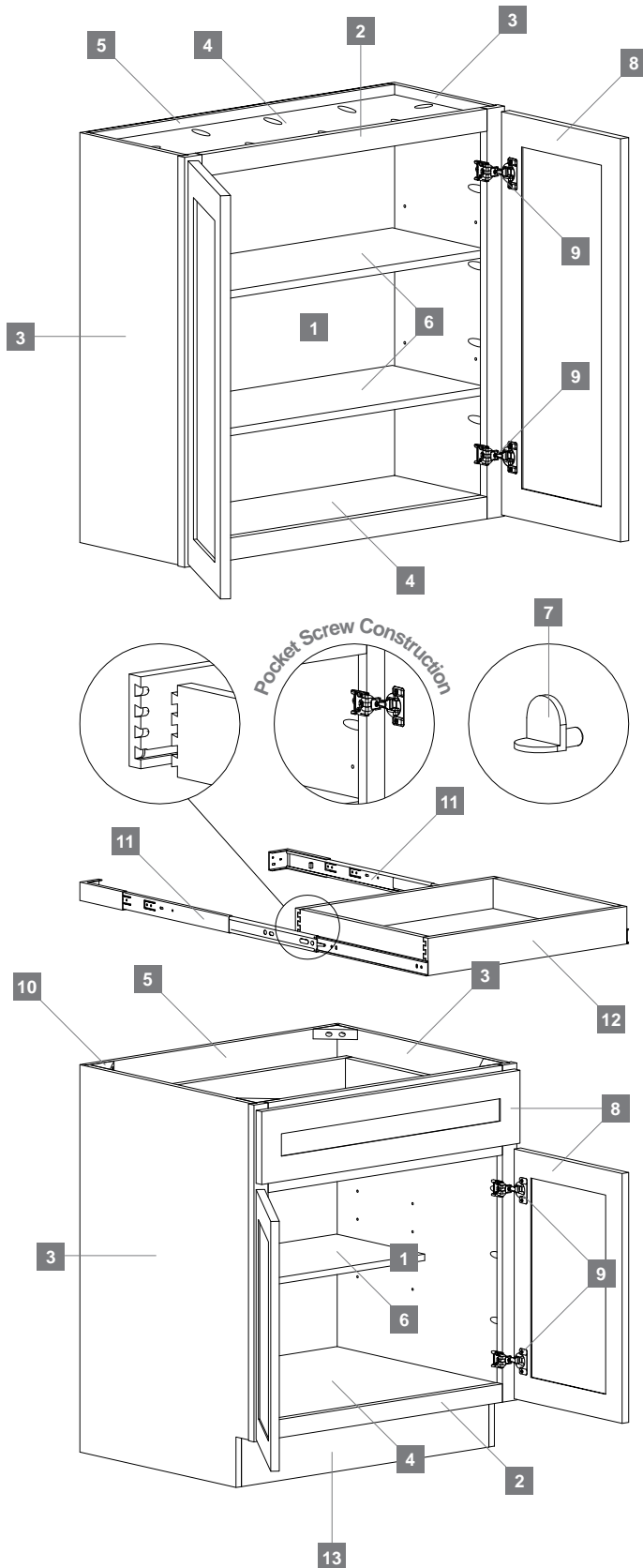
* Temporary variance may occur in back panel construction.



DAKOTA

A warm reddish brown stain with subtle golden undertones enhances the beauty of the hardwood maple used in this shaker style door construction. The Dakota is a full overlay door style with a decorative five piece drawer front matching the door design. Both door and drawer boast solid hardwood maple frames joined by mortis and tenon construction and wood veneered center panels for quality and durability. The Dakota door style inherently adds rich warmth with an appealing value to any home interior project.

DAKOTA CONSTRUCTION



1 - INTERIOR
Natural Birch interior
2 - FACE FRAME
$\frac{3}{4}$ " solid Maple face frame
3 - END PANELS
$\frac{1}{2}$ " veneered plywood end panels with exterior finished to match
4 - FLOOR & CEILING PANELS
$\frac{3}{8}$ " veneered plywood captured ceiling and floor panel with exterior finished to match
5 - BACK PANEL
Framed back panel with hardboard backing*
6 - SHELVES
$\frac{1}{2}$ " veneered plywood half depth, adjustable shelving
7 - SHELF SUPPORTS
Metal shelf clips
8 - DOORS & DRAWER FRONTS
Full overlay solid Maple stile and rail with wood veneered MDF center panel
9 - HINGES
6-way adjustable concealed hinges with optional soft close
10 - CORNER BRACES
$\frac{3}{4}$ " solid wood corner braces
11 - DRAWER GLIDES
Full extension side mount drawer glides
12 - DRAWER BOX
$\frac{5}{8}$ " veneered plywood dovetailed drawer with $\frac{3}{8}$ " veneered plywood drawer bottom
13 - TOE KICK
4 $\frac{1}{2}$ " high and $\frac{1}{2}$ " thick veneered plywood unfinished toe kick

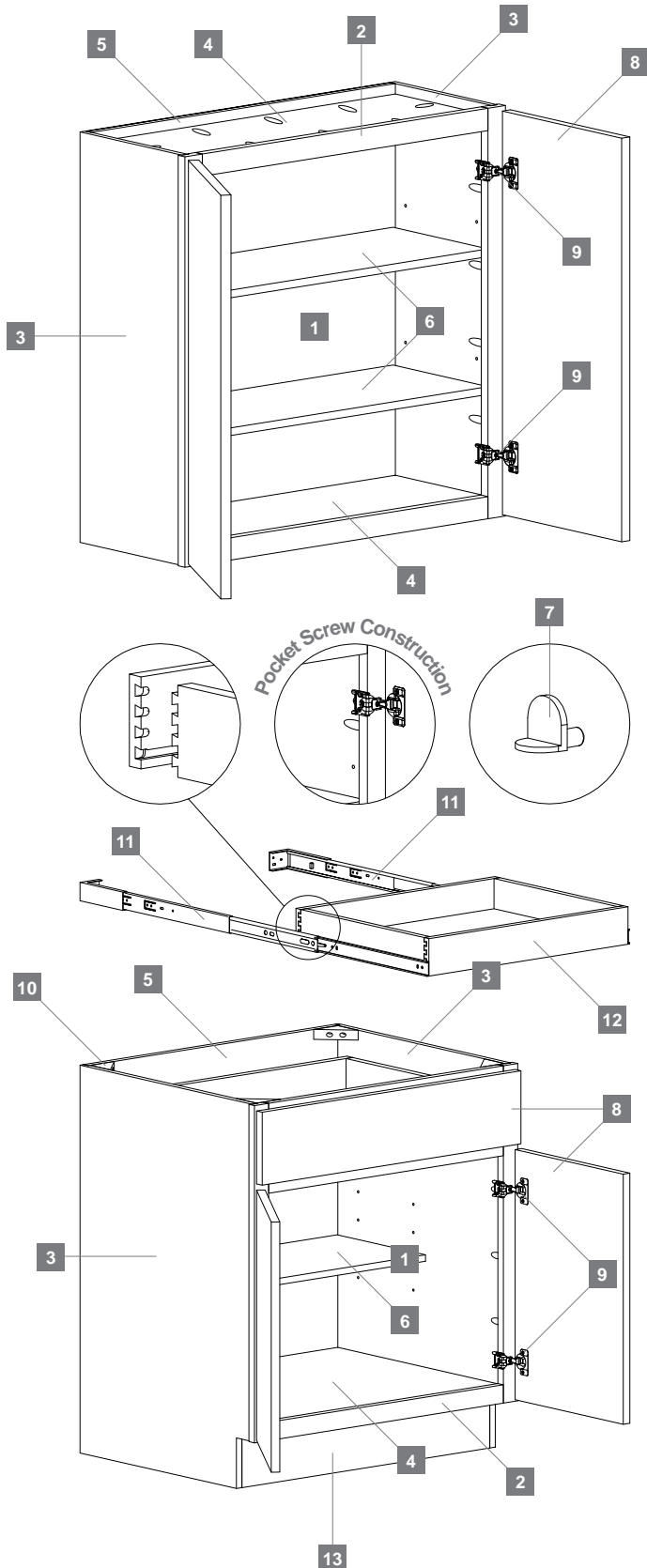
* Temporary variance may occur in back panel construction. Temporary variance may also occur between cam and pocket screw construction methods.



METRO

This white painted finish suits modern style designs seeking departure from the traditional trends. The full overlay, natural hardwood maple veneered slab door and drawer provide a sleek surface for decorative hardware application such as stainless steel bar pulls. The Metro will create a clean and dramatic statement to any space while complementing a variety of interior trends.

METRO CONSTRUCTION



1 - INTERIOR
Natural Birch interior
2 - FACE FRAME
$\frac{3}{4}$ " solid Maple face frame
3 - END PANELS
$\frac{1}{2}$ " veneered plywood end panels with exterior veneer finished to match
4 - FLOOR & CEILING PANELS
$\frac{3}{8}$ " veneered plywood captured ceiling and floor panel with exterior finished to match
5 - BACK PANEL
Framed back panel with hardboard backing*
6 - SHELVES
$\frac{1}{2}$ " veneered plywood half depth, adjustable shelving
7 - SHELF SUPPORTS
Metal shelf clips
8 - DOORS & DRAWER FRONTS
Full overlay painted MDF slab
9 - HINGES
6-way adjustable concealed hinges with optional soft close
10 - CORNER BRACES
$\frac{3}{4}$ " solid wood corner braces
11 - DRAWER GLIDES
Full extension side mount drawer glides
12 - DRAWER BOX
$\frac{5}{8}$ " veneered plywood dovetailed drawer with $\frac{3}{8}$ " veneered plywood drawer bottom
13 - TOE KICK
4 $\frac{1}{2}$ " high and $\frac{1}{2}$ " thick veneered plywood unfinished toe kick

* Temporary variance may occur in back panel construction.

DECORATIVE HARDWARE

Often considered as the “jewelry” on your cabinets, hardware can complete the look and functionality of your kitchen. We offer a variety of knobs, pulls, and handles that complement each of our door styles. Let us help you select the right choice of hardware to give your kitchen the attention it deserves.



FLAT NICKEL SHORT PULL



BRUSHED POLISHED NICKEL LONG PULL



BRUSHED POLISHED NICKEL 3 STEP KNOB



BRUSHED POLISHED NICKEL PLAIN PULL



OIL RUB BRONZE 3 STEP KNOB



OIL RUB BRONZE PLAIN PULL



STAINLESS STEEL BAR PULL



GUNMETAL BAR PULL



BLACK BAR PULL



BLACK LONG BOW PULL



VERONA BRONZE PULL



VERONA BRONZE 1 STEP KNOB



VERONA BRONZE PLAIN KNOB



BRUSHED POLISHED NICKEL PULL



BRUSHED POLISHED NICKEL 1 STEP KNOB



BRUSHED POLISHED NICKEL PLAIN KNOB



WEATHERED NICKEL PULL



WEATHERED NICKEL 3 STEP KNOB



WEATHERED NICKEL 1 STEP KNOB



WEATHERED NICKEL PLAIN KNOB



VERONA BRONZE FOOTBALL KNOB



BLACK FOOTBALL KNOB



BRUSHED POLISHED NICKEL FOOTBALL KNOB



BLACK TAPERED BOW PULL



BLACK FLAT BOW SHORT PULL



BLACK FLAT BOW LONG PULL

GRAPH PAPER

Use the grid below to sketch out your current kitchen configuration. Start by drawing the walls. Make sure to include any windows, doors, or entryways. Mark where appliances are and try to include their dimensions. You can also begin to plan out a design by visiting www.choicecabinet.com and using the Plan Your Space feature.





KCMA[®] CERTIFICATION

The Choice Basics[®] Series is now certified by the KCMA (Kitchen Cabinet Manufacturers Association) and complies with the requirements of ANSI/KCMA A161.1. This certification is referenced by U.S. government agencies, architects, builders, remodelers and other specifiers. Cabinets that comply and bear the KCMA certification seal are recognized in the marketplace as a quality product able to perform after a rigorous battery of tests simulating years of typical household use.



CARB2 CERTIFICATION

Choice Cabinet is proud to be a CARB Certified kitchen cabinet manufacturer. Our cabinets comply with the rules and regulations of composite wood products by the California Code of Regulations.

1 YEAR WARRANTY

The decision to go with Choice cabinetry isn't just a purchase, it's an investment. We believe in offering a quality product that is as strong as it is beautiful. We also believe that your cabinets should come with a peace of mind. Our 1 Year Limited Warranty is an all-encompassing guarantee that your investment is protected.



I. Description of Warranty

This warranty applies only to the original consumer purchaser for one year from obtaining the product and is not transferrable. Choice Cabinet warrants all of its Choice Basics cabinetry with a 1 Year Limited Warranty. In addition, all drawers, shelves, roll out trays, and any mechanical components will be free from material defects and workmanship. In the event that any Choice Cabinet product fails during the course of normal use, Choice Cabinet will either repair or replace the defective product at its own discretion and as determined solely by Choice Cabinet.

II. Intended Use of Product

To be covered by this warranty, the product must only be used for its intended purpose(s). Cabinets that have been improperly stored, installed, misused, modified, abused, mishandled, and/or subject to excessive moisture or extreme temperatures are not covered under this warranty. Whether the work was performed by a contractor, Choice Cabinet authorized dealer or yourself, any expenses involved in the shipping, removal, installation, or consequent damage of the defective product is not covered under this warranty. This warranty does not apply to products installed in mobile homes or recreational vehicles.

III. Anticipated Variance in Product

The Choice Cabinet warranty only applies to product defects and does not apply to properties of natural wood that are subjective in natural wood species. Anytime you have a natural wood product, occurrences such as pinholes, knots, and variance in color or grain must be anticipated and, therefore, are not covered under this warranty. Prolonged exposure to light, heat, or aging may cause a change in color. Any event caused by environmental or chemical effects to the product are not covered under this warranty.

The properties of natural wood are such that it can react to climactic or humidity changes found within most homes. As much as half of the weight of freshly cut wood is water. Choice Cabinet doors and face frames are manufactured from solid wood that has been carefully kiln-dried, retaining just enough moisture for proper construction and finishing. The center panels of some of the Choice Cabinet doors are wood and some are medium density fiberboard. As a product of nature, solid hardwoods continue to react to their surroundings long after manufacture. When wood cabinet doors are in a warm, moist environment (high relative humidity), the wood expands. In a dry, colder environment (low relative humidity), the wood will contract. Expansion and contraction can be controlled but never eliminated even with humidity regulation.

Door panels are prone to minor expansion and contraction as seasonal temperature and humidity changes occur in a home. The contraction or shrinkage of the center door panel during low humidity periods may result in the appearance of an unfinished line along the edge of the center panel. Choice Cabinet does not consider the appearance of an unfinished line as a product defect and will not replace doors due to this situation. It is recommended that a humidity control system is incorporated in a home to reduce the possibility of expansion and contraction in wood products. Touch-up markers are made available through your authorized Choice Cabinet dealer to cover this edge line. Often times, touch-up may only be necessary within the first year.

All of the doors for Choice Cabinet cabinetry are manufactured in moisture-controlled environments under precise tolerances. Although slight door warpage can be common in one or two doors within a newly installed kitchen, any door that has not hung through a complete heating and cooling cycle has the possibility of warping. Slight warpage can be eliminated through adjustments in the adjustable hinges. Any warpage that exceeds the capability of adjustments to the hinges should be further examined by removing the door from the cabinet and placing it on a flat surface. Hinge spacers are also available in cases where the warpage cannot be eliminated through hinge adjustments. Hinge spacers are available through your authorized Choice Cabinet dealer. If the warpage cannot be eliminated through hinge adjustments or the use of hinge spacers and only if the doors have hung through a complete heating and cooling cycle and all of the cabinets are true and plumb, will Choice Cabinet consider replacement.

Normal movement is typical on wood products, certain climatic conditions can cause finish breaks, recesses, and joint and panel lines. An open joint line is not considered a defect and is not covered under this warranty. Proper humidification of homes in extremely dry environments is strongly recommended.

Discoloration will develop on doors, drawers, and cabinet parts after continued exposure to tobacco smoke. This is remarkably apparent on lighter finishes.

1 YEAR WARRANTY

We do not warrant discoloration in our products due to exposure to smoke of any kind.

IV. Product Repair or Replacement

Throughout the duration of the warranty period, Choice Cabinet's sole obligation is to repair or replace any defective product for no charge at the discretion of Choice Cabinet. This warranty only applies to cabinets and affiliated products sold by Choice Cabinet, offered through an authorized Choice Cabinet dealer. In the event that a claim is filed after the original product has been discontinued or cancelled, Choice Cabinet will honor the warranty, at their discretion, subject to the availability of the product, by either:

- Repairing or replacing the defective product with a new product of the same style.
- Repairing or replacing the defective product with a product of equal value and complementary style in order to maintain the appearance of the original cabinetry purchase.

An exact match between the finish of the original purchased product and the replacement or repaired product is not guaranteed.

V. Rights of Consumer

There are no other warranties, disclosed or indicated, associated with this product. This document serves as a description of the consumer's definitive legal rights within the transaction and is the exclusive warranty Choice Cabinet. The exclusion or partial limitation of contingent or substantial damages is not permissible in some states. The consumer may also have further rights from state-to-state which are not cited in this warranty.

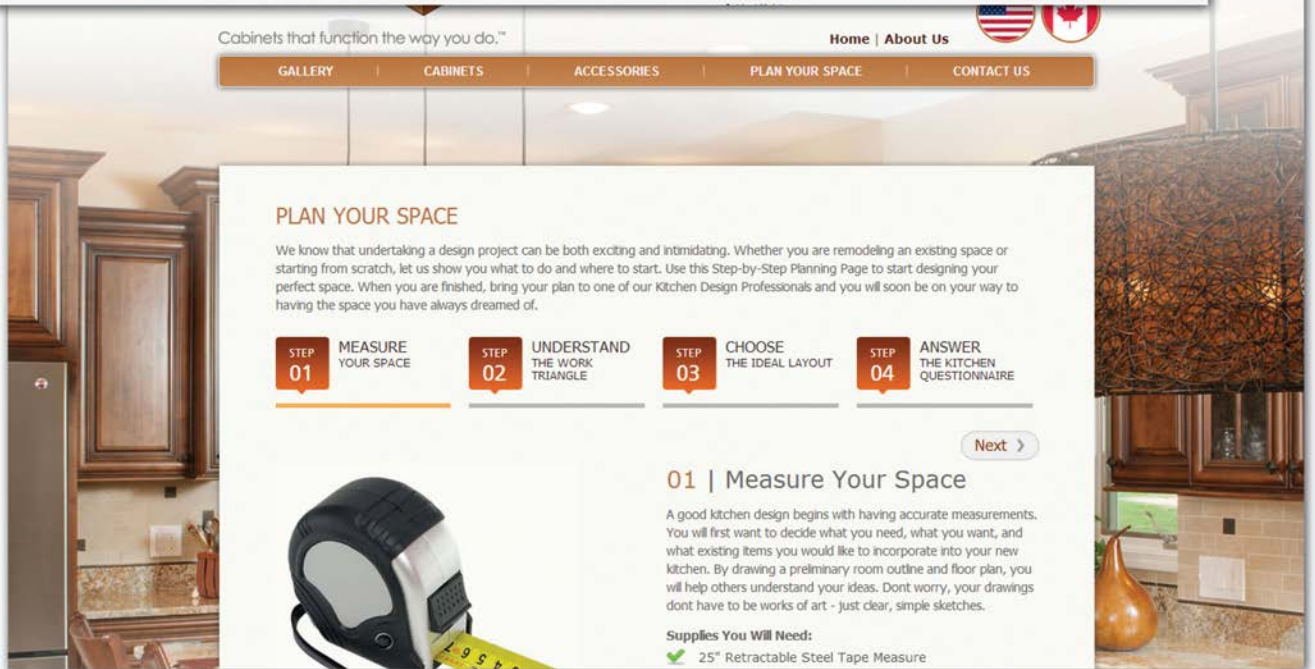
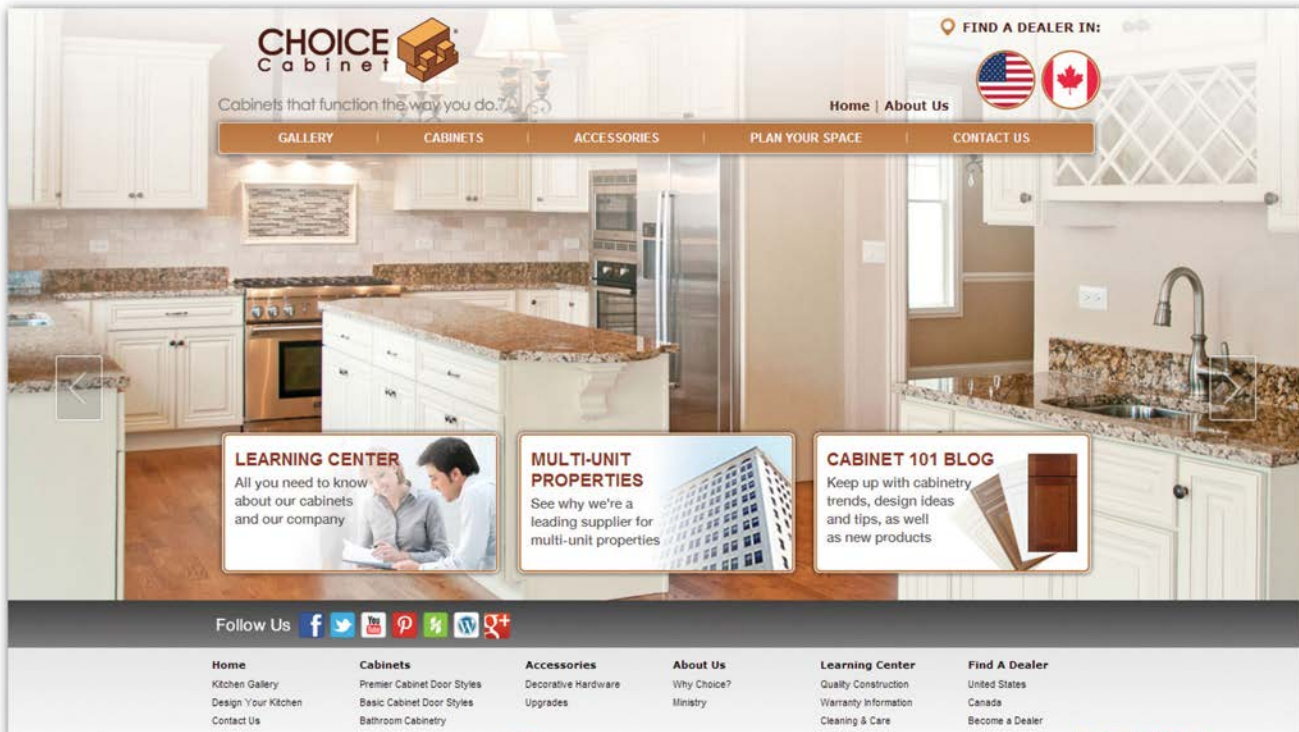
VI. Submission of a Claim

All claims must be submitted to the authorized Choice Cabinet dealer where the cabinets were originally purchased. Claims are to be submitted in writing. Every claim must include a dated copy of the original sales receipt as a proof of purchase. Unless and until the product is specifically requested by the Choice Cabinet claims department, please do not send the defective item(s).

ONLINE SUPPORT

Our website contains a wealth of information about the complete line of products we carry. You'll find galleries of finished projects, door style, hardware, and accessory offerings, a learning center, and the easy to use Plan Your Space feature. Visit choicecabinet.com and let us show you all you need to know in order to be confident in your decision making.

 choicecabinet.com





Cabinets that function the way you do.™

choicecabinet.com

Your Choice Cabinet Dealer:



In maintaining our policy of continuous product improvement, Choice Cabinet reserves the right to change design and material specifications as required and without notice.

CC017 [Rev 1.1.2016]
© 2016 Choice Cabinet
All rights reserved.