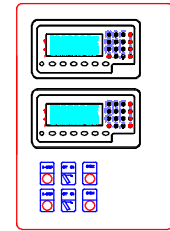
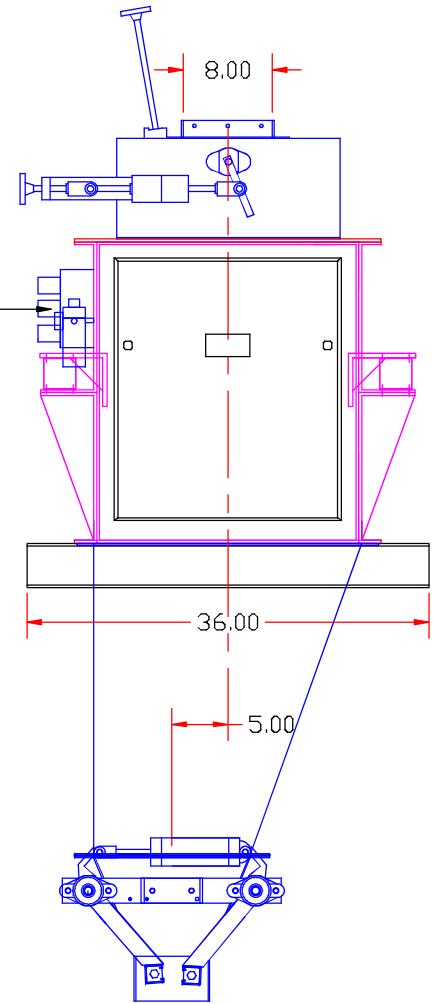


LEAVE SPACE FOR  
DUST SKIRT (APPROX.  
3" SPACE)



WEIGHT BASED PROCESS  
CONTROLLER

100 PSI @ 4-6 CFM



REV. A	<i>JEM INTERNATIONAL, INC.</i>			
REV. B	6873 MARTINDALE SHAWNEE, KANSAS 66218 (913) 441-4788			
REV. C	NAME NW2-GG-D DOUBLE EAGLE NET WEIGH SCALE			
REV. D	FOR			
REV. E				
REV. F	TOLERANCE	MATERIAL	SCALE D.N.S.	PART NUMBER S.S.
REV. G	DRAWING NUMBER 450 NW2-GG-D	DRAWN BY COUGHLIN	DATE 07-11-14	PART NUMBER M.S.