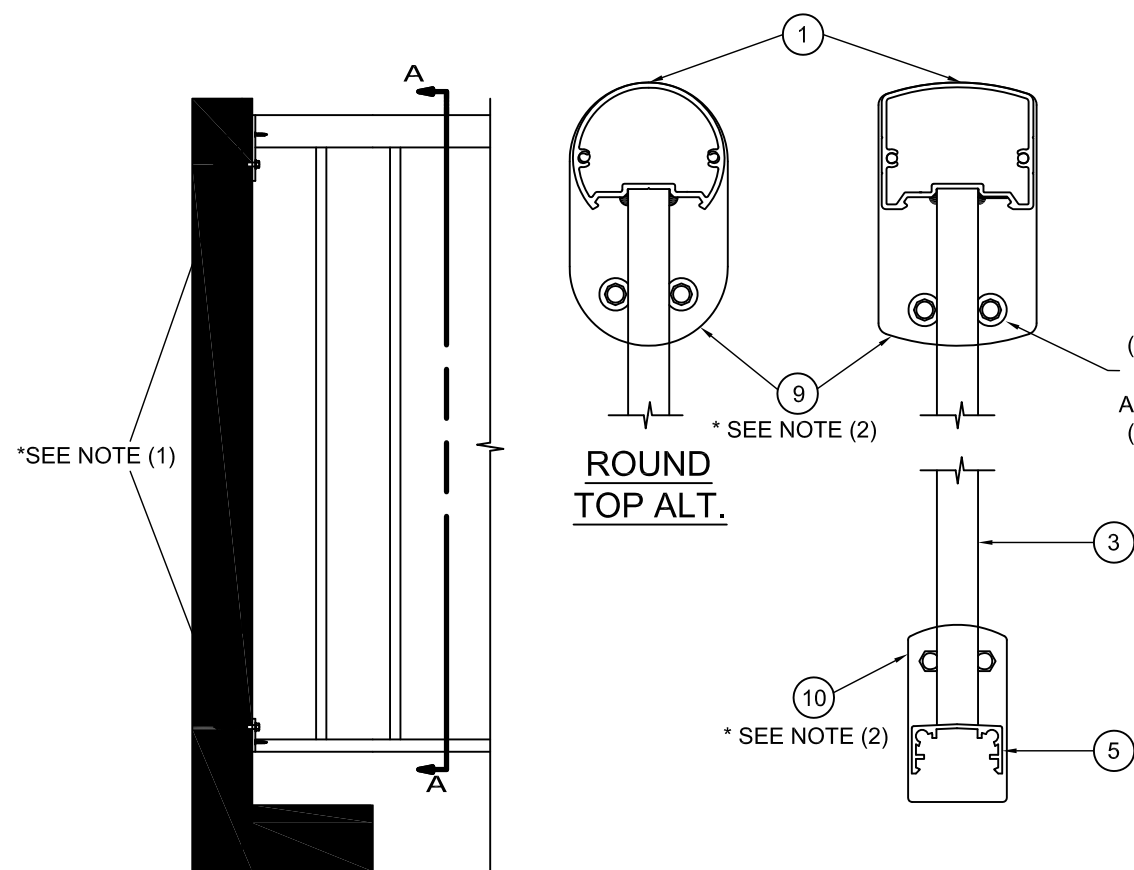


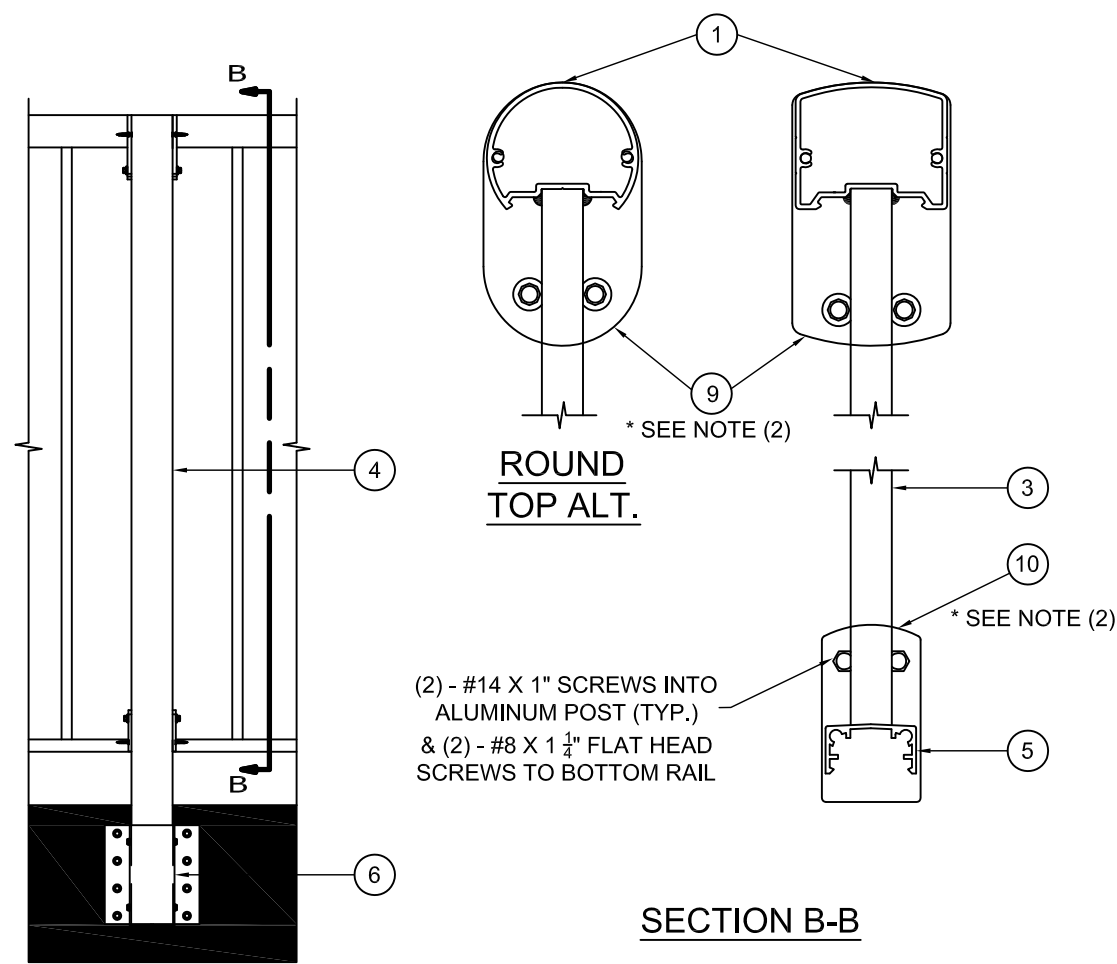
BUILDING CONNECTION



END CLIP CONNECTION

SECTION A-A

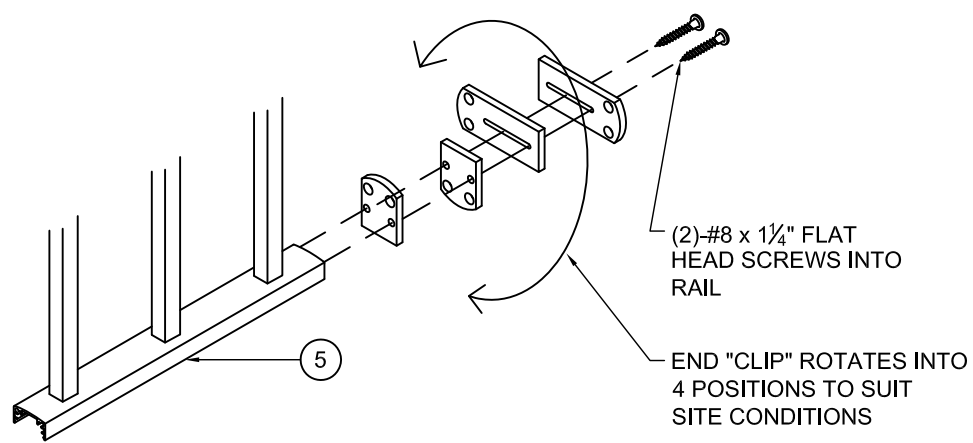
2 1/2" ALUMINUM POST CONNECTION



POST CLIP CONNECTION

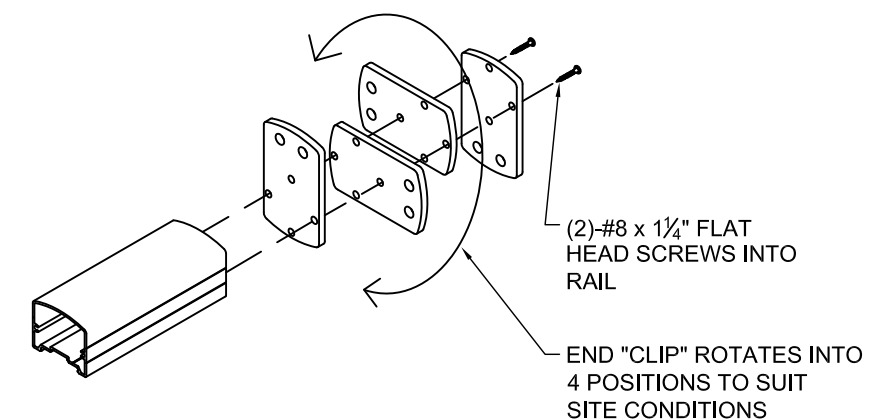
SECTION B-B

PARTS LIST	
ITEM	DESCRIPTION
1	2 1/4" SQUARE □ OR ROUND TOP □ RAIL (CHECK CORRECT BOX)
2	(NOT SHOWN)
3	5/8" X 5/8" ALUMINUM PICKET
4	2 1/2" STANDARD ALUMINUM POST
5	1 3/8" X 3/4" BOTTOM CHANNEL
6	FASCIA BRACKET (2 1/2" POST)
7	(NOT SHOWN)
8	(NOT SHOWN)
9	TOP RAIL END CLIP
10	BOTTOM RAIL END CLIP
11	(NOT SHOWN)



BOTTOM RAIL END CLIP ROTATION

NOTES:
 (1) BUILDING GENERAL CONTRACTOR MUST ENSURE THAT PROPER BACKING IS PROVIDED FOR FIRM ANCHORAGE OF GUARD RAIL ENDS
 (2) TOP & BOTTOM END CLIPS ROTATE IN 4 POSITIONS (DEFAULT POSITION SHOWN, ROTATE TO SUIT SITE CONDITIONS PER 3D DIAGRAM BELOW.



TOP RAIL END CLIP ROTATION