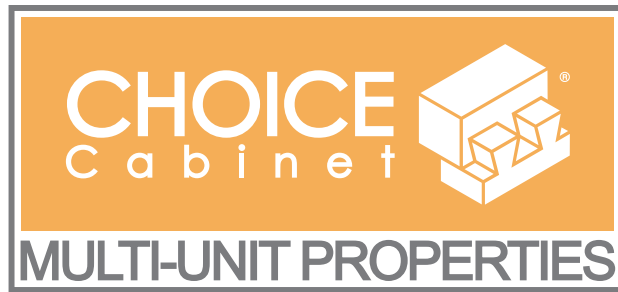


Multi-Family Capabilities







Making the right choice is easier than you thought.

Choice Cabinet is a leading manufacturer of multi-family cabinetry for properties of all sizes. With decades of experience, you can count on our quality and craftsmanship. We have the styles you and your residents want, the prices to help you stay within your budget, and much more.

The Choice Cabinet Multi-Unit Properties program offers the following solutions:

DESIGN	PRODUCT	SERVICE
<ul style="list-style-type: none"> ▪ Painted & stained finishes ▪ Thermoform & laminated finishes <ul style="list-style-type: none"> ▪ Acrylic finishes ▪ Framed construction ▪ Frameless construction <ul style="list-style-type: none"> ▪ Custom sizes ▪ Bathroom vanities ▪ Other use cabinetry 	<ul style="list-style-type: none"> ▪ 10 to 12 week lead time <ul style="list-style-type: none"> ▪ CARB 2 Certified ▪ KCMA Certified ▪ ANSI Standard A161.1-2012 ▪ Fully custom product for any 350+ quantity cabinet orders <ul style="list-style-type: none"> ▪ Severe use cabinetry ▪ ADA cabinetry 	<ul style="list-style-type: none"> ▪ Project management <ul style="list-style-type: none"> ▪ Detailed bids ▪ Cabinet consultation ▪ Production samples ▪ Field measuring & submittals <ul style="list-style-type: none"> ▪ Tag/label program ▪ By phase delivery ▪ Long-term support & warranty

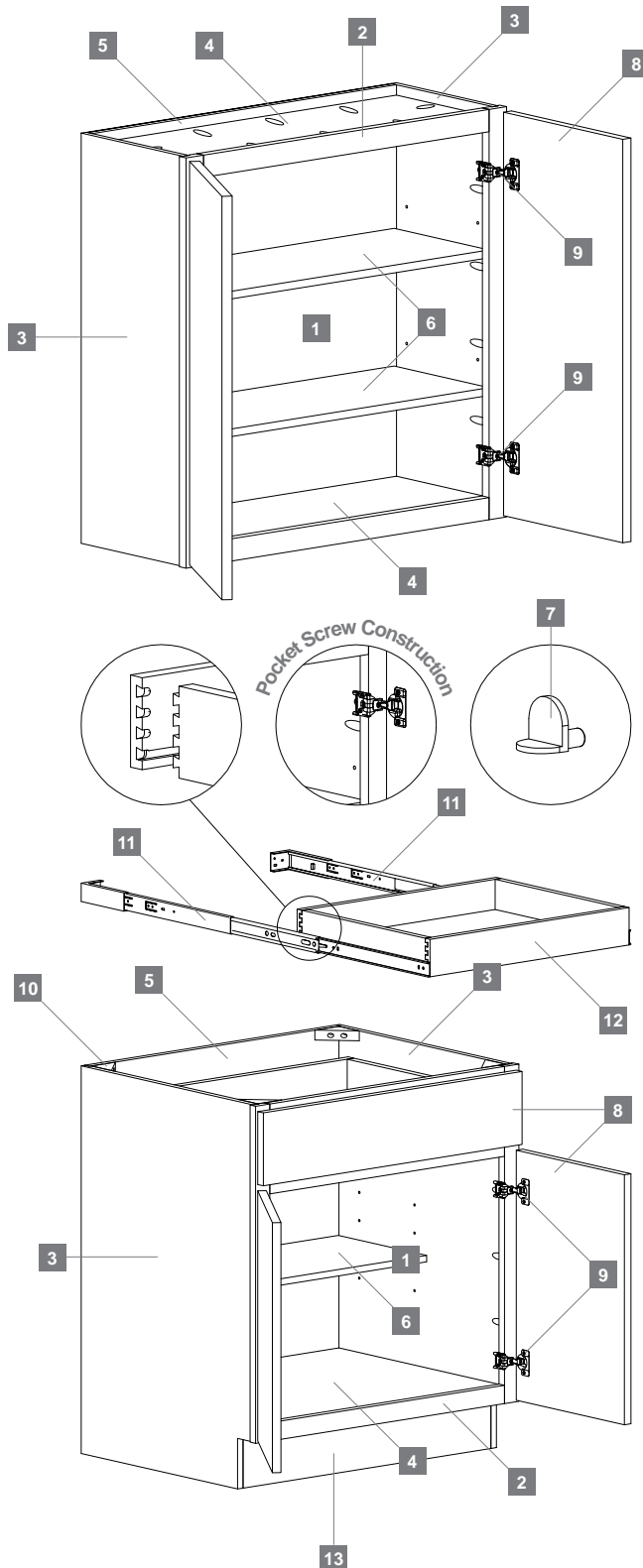
We look forward to hearing about your project, and we're eager to help you meet your goals. When price, speed and quality are what matters most, Choice Cabinet is the only name you need to know.

STANDARD CONSTRUCTION

MANY CONSTRUCTION OPTIONS AVAILABLE!



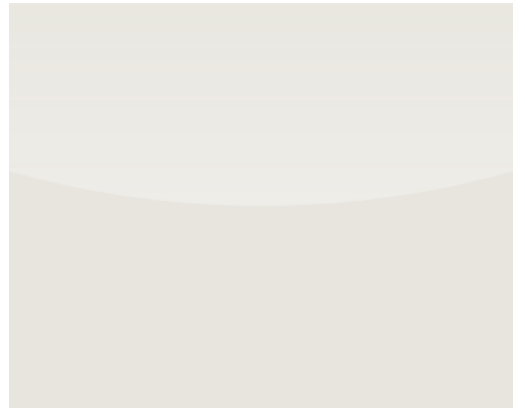
1 - INTERIOR
Natural Birch interior
2 - FACE FRAME
3/4" solid Maple face frame
3 - END PANELS
1/2" veneered plywood end panels with exterior finished to match
4 - FLOOR & CEILING PANELS
3/8" veneered plywood captured ceiling and floor panel with exterior finished to match
5 - BACK PANEL
Framed back panel with hardboard backing*
6 - SHELVES
1/2" veneered plywood half depth, adjustable shelving
7 - SHELF SUPPORTS
Metal shelf clips
8 - DOORS & DRAWER FRONTS
Full overlay wood veneered MDF slab
9 - HINGES
6-way adjustable concealed hinges with optional soft close
10 - CORNER BRACES
3/4" solid wood corner braces
11 - DRAWER GLIDES
Full extension side mount drawer glides
12 - DRAWER BOX
5/8" veneered plywood dovetailed drawer with 3/8" veneered plywood drawer bottom
13 - TOE KICK
4 1/2" high and 1/2" thick veneered plywood unfinished toe kick



THERMOFORMS & LAMINATES



ACRYLICS



PAINTS & STAINS



FINISH OPTIONS

A quality cabinet is judged by two distinct characteristics – beauty and strength. We have strategically identified the most popular construction options, door styles and finishes and then designed our product lineup around those. You'll find that Choice Cabinet offers traditional and contemporary styles in an ample variety of finishes and colors.

OUR PROJECTS

No matter the size of your property, we offer the right product at the right price without the wait. Choice Cabinet is the go-to cabinet brand for property managers, general contractors, architects, and developers. Whether your cabinetry needs are on the turn, by phase, or require a drop ship, we'll have the solution you're looking for.



300 SWIFT
Durham, NC
202 Units



WALNUT ON HIGHLAND
Pittsburgh, PA
118 Units



FLATS EAST BANK
Cleveland, OH
240 Units



CANAL SQUARE
Akron, OH
55 Units

OUR PROJECTS



THE BRIX AT 26
Pittsburgh, PA
89 Units



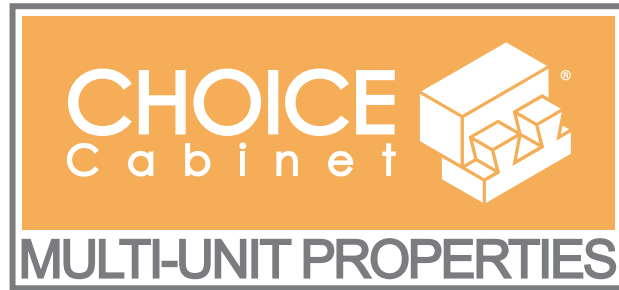
THE CRESWELL
Cleveland, OH
80 Units



HISTORIC ONESTO LOFTS
Canton, OH
43 Units



BERKSHIRE NINTH STREET
Durham, NC
86 Units



choicecabinet.com

Your Choice Cabinet Dealer:



In maintaining our policy of continuous product improvement, Choice Cabinet reserves the right to change design and material specifications as required and without notice.

CC018 [Rev 1.1.2016]
© 2016 Choice Cabinet
All rights reserved.