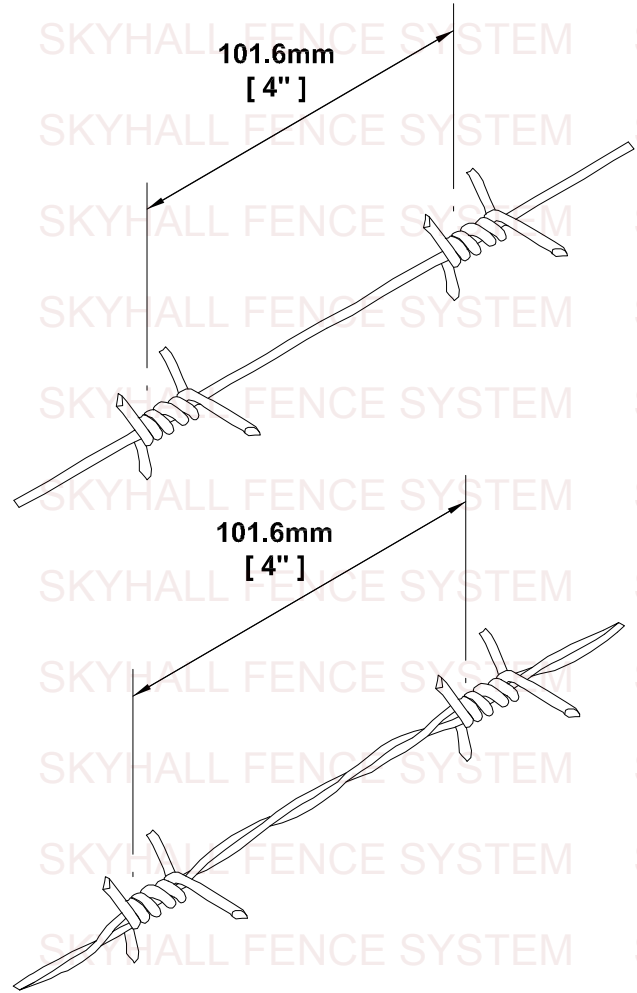
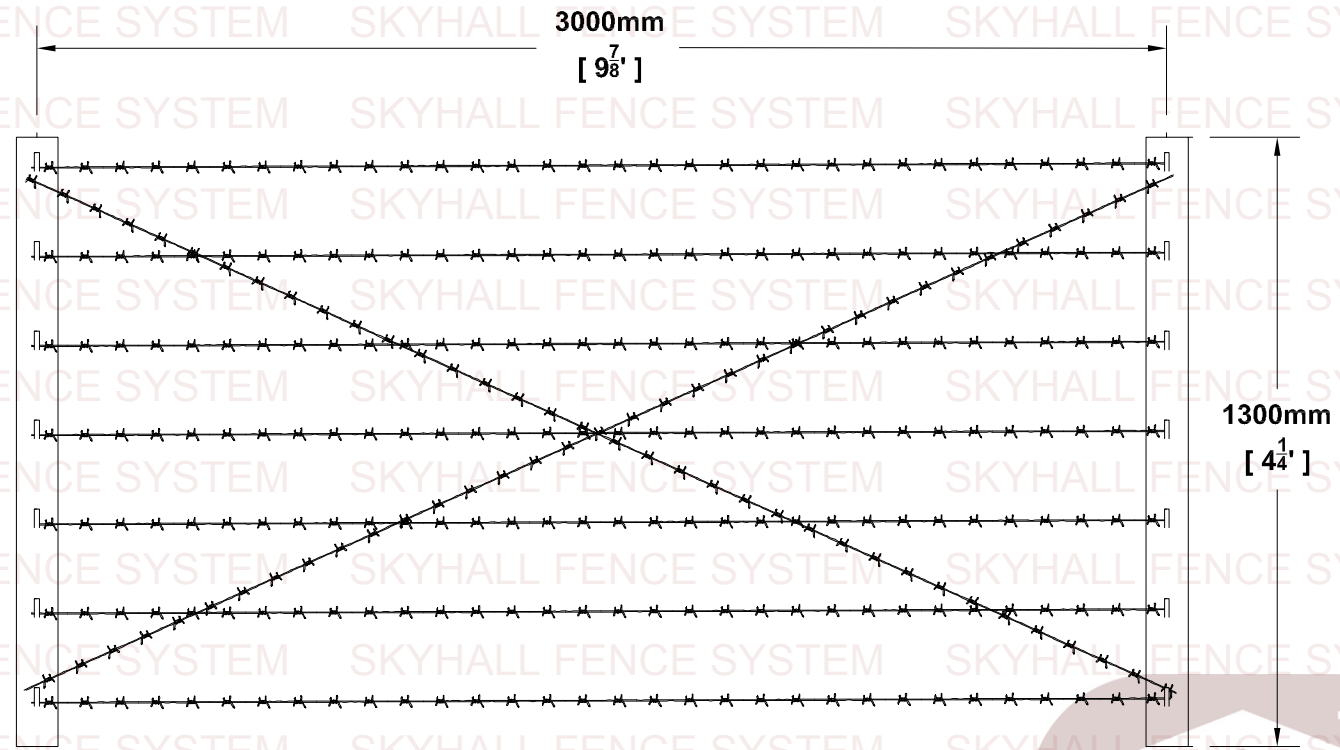


# SKYHALL FENCE SYSTEM

WEBSITE: www.skyhall.org www.skyhallfence.com  
 TEL: (0086) 311-8783-1537  
 FAX: (0086) 311-8610-2039

ADDRESS: Room 1103, Import & Export building, #486 hepingxi rd, Xinhua district, Hebei province, China.



## SKYHALL 310 SERIES (BARBED WIRE) SKYHALL FENCE SYSTEM

Wire Gauge (BWG#)	Approximate Length per kilogram in Meter			
	Barb Spacing 3"	Barb Spacing 4"	Barb Spacing 5"	Barb Spacing 6"
#12 * #12 (2.77mm*2.77mm)	6.0617m	6.7590m	7.2700m	7.6376m
#12 * #14 (2.11mm*2.11mm)	7.3335m	7.9051m	8.3015m	8.5741m
#12 <sup>1</sup> / <sub>2</sub> * #12 <sup>1</sup> / <sub>2</sub> (2.59mm*2.59mm)	6.9223m	7.7190m	8.3022m	8.7221m
#12 <sup>1</sup> / <sub>2</sub> * #14 (2.59mm*2.11mm)	8.1096m	8.8140m	9.2242m	9.5620m
#13 * #13 (2.41mm*2.41mm)	7.9808m	8.8990m	9.5721m	10.0553m
#12 * #14 (2.41mm*2.11mm)	8.8448m	9.6899m	10.2923m	10.7146m
#13 <sup>1</sup> / <sub>2</sub> * #14 (2.26mm*2.11mm)	9.6079m	10.6134m	11.4705m	11.8553m
#14 * #14 (2.11mm*2.11mm)	10.4569m	11.6590m	12.5423m	13.1752m
#14 <sup>1</sup> / <sub>2</sub> * #14 <sup>1</sup> / <sub>2</sub> (1.97mm*1.97mm)	11.9875m	13.3671m	14.3781m	15.1034m
#15 * #15 (1.83mm*1.83mm)	13.8927m	15.4942m	16.6666m	17.5070m
#15 <sup>1</sup> / <sub>2</sub> * #15 <sup>1</sup> / <sub>2</sub> (1.74mm*1.74mm)	15.3491m	17.1144m	18.4060m	19.3386m

Rev	Date	Changed	By	Material	Q195/235	Spec
01	n/a	n/a		Mass	N/A	
02						
03						
04						
05						
06				Status		Designer
07				Status by		Date

**SKYHALL FENCE 310 SERIES  
BARBED WIRE**  
 H=1.30M, W=3.00M, BWG#13, BARB SPACING 4"



RAY HAN  
 2014-08-13

DIN A3  
 Scale 1:1  
**SKH310A0001**

THIS DRAWING AND THE RELATED INFORMATION IS AND REMAINS THE EXCLUSIVE PROPERTY OF SKYHALL WITHOUT THE PRIOR WRITTEN CONSENT OF SKYHALL. THIS DRAWING AND THE RELATED INFORMATION MAY NEITHER BE COPIED OR REPRODUCED, NOR COMMUNICATED IN ANY WAY TO A THIRD PARTY, NOR USED FOR MANUFACTURING OUTSIDE SKYHALL EACH INFRINGEMENT OF THESE INTELLECTUAL PROPERTY RIGHTS OF SKYHALL SHALL GIVE RISE TO LEGAL PROCEEDINGS.